



US00D544762S

(12) **United States Design Patent**
Zimmerman

(10) **Patent No.:** **US D544,762 S**
(45) **Date of Patent:** **** Jun. 19, 2007**

(54) **FOOD STORAGE CONTAINER**

(75) Inventor: **Larry Gene Zimmerman**, Hollis, NH (US)

(73) Assignee: **Sterilite Corporation**, Townsend, MA (US)

(**) Term: **14 Years**

(21) Appl. No.: **29/271,167**

(22) Filed: **Jan. 11, 2007**

(51) **LOC (8) Cl.** **07-07**

(52) **U.S. Cl.** **D7/629; D7/601**

(58) **Field of Classification Search** D7/387,
D7/392.1, 500, 505, 516, 538, 540, 542, 543,
D7/548, 549, 553.2-553.8, 601, 602, 609,
D7/629, 701, 708; D3/302; D9/414, 424,
D9/425, 432, 526, 529; 220/257.2, 737,
220/789, 793, 915.1; 229/238, 925, 938

See application file for complete search history.

(56) **References Cited**

U.S. PATENT DOCUMENTS

D366,397 S *	1/1996	Zimmerman	D7/629
D366,989 S *	2/1996	Zimmerman	D7/629
D375,654 S *	11/1996	Ferris	D7/392.1
D412,439 S *	8/1999	Cormack	D9/425
D452,374 S *	12/2001	Kim	D3/302
D493,073 S *	7/2004	Kim	D7/629
D514,954 S *	2/2006	Kim	D9/757
D517,311 S *	3/2006	Kim	D3/218
D524,119 S *	7/2006	Kim	D7/629
D536,571 S *	2/2007	Kim	D7/391

OTHER PUBLICATIONS

Regular Square Airtight Container, Lock&Lock.
Snap 'N Lock Food Storage Containers, Snapware, 2005.
Click N Seal Containers, Prince Plastics International.
Freshvac Vacuum Food Storage Container, Loon International, 2006.
CrystalWave Bowl Sets, Tupperware Catalogue, 1994.
Food Storage Containers, Latch Boxes, Sterilite Corporation, 2002.
Food Storage Containers, Latch Boxes, Sterilite Corporation, 2004.
Food Storage Containers, Latch Boxes, Sterilite Corporation, 2005.
Food Storage Containers, Latch Boxes, Sterilite Corporation, 2006.

* cited by examiner

Primary Examiner—M. N. Pandozzi

Assistant Examiner—Cynthia Underwood

(74) *Attorney, Agent, or Firm*—Wilmer Cutler Pickering Hale and Dorr LLP

(57) **CLAIM**

The ornamental design for a food storage container, as shown.

DESCRIPTION

FIG. 1 is a perspective view of a food storage container showing my new design;

FIG. 2 is a front view thereof;

FIG. 3 is a rear view thereof;

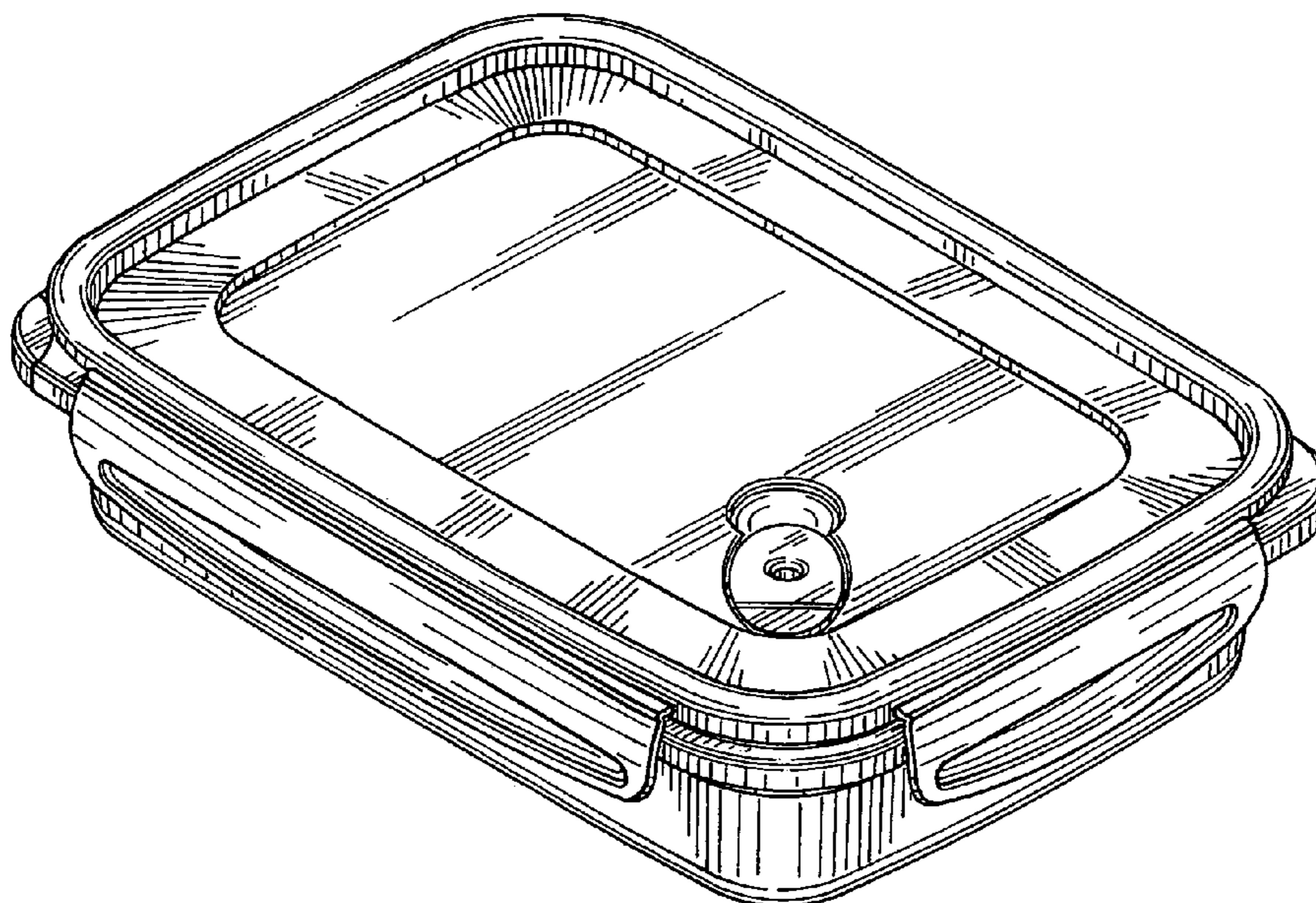
FIG. 4 is a right side view thereof;

FIG. 5 is a left side view thereof;

FIG. 6 is a top view thereof; and,

FIG. 7 is a bottom view thereof.

1 Claim, 3 Drawing Sheets



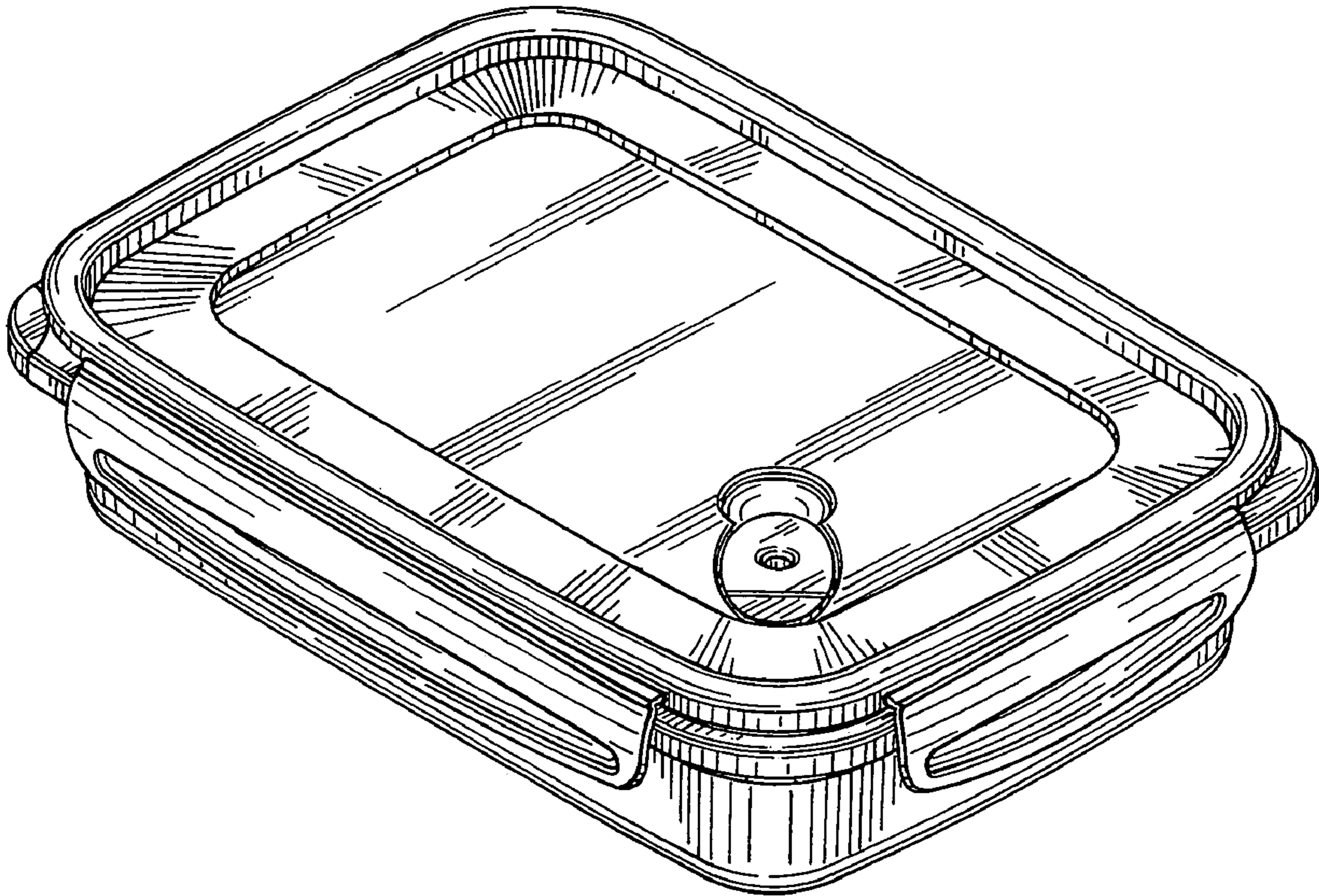


Fig. 1

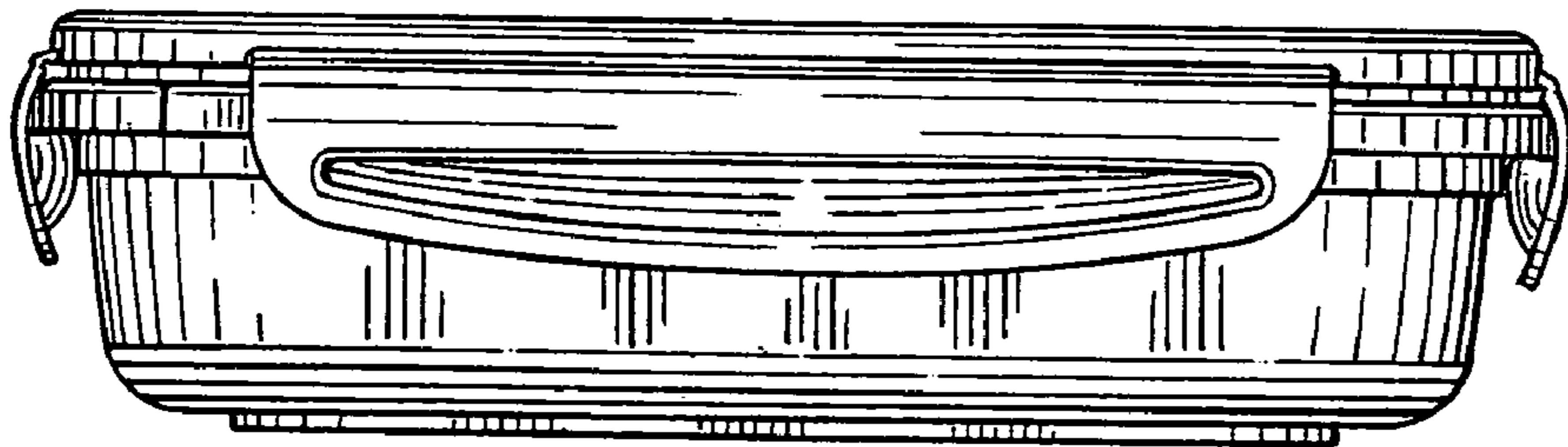


Fig. 2

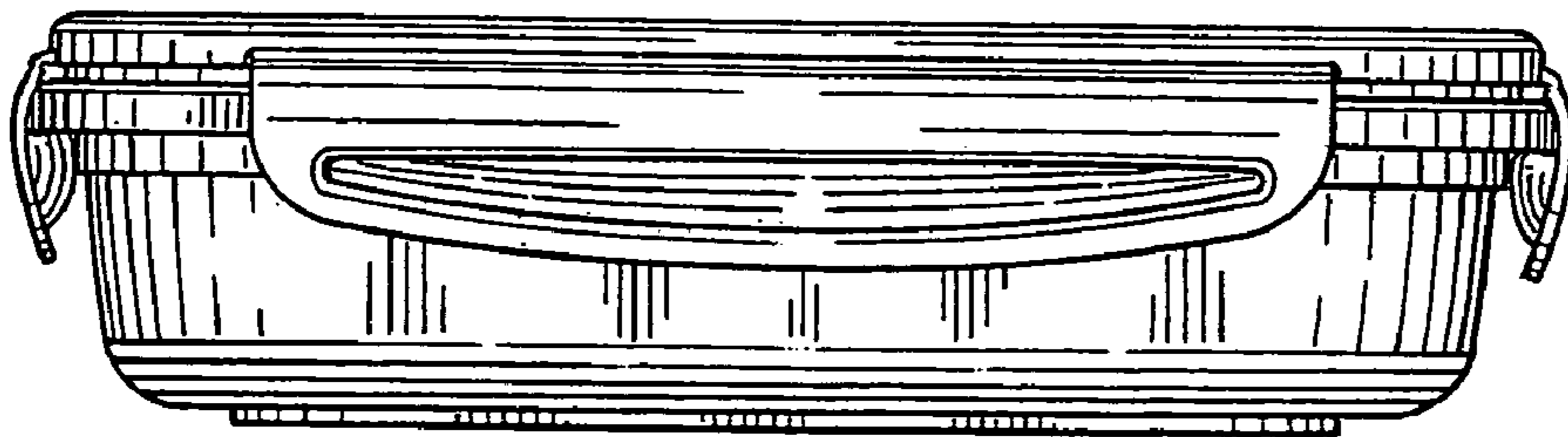


Fig. 3

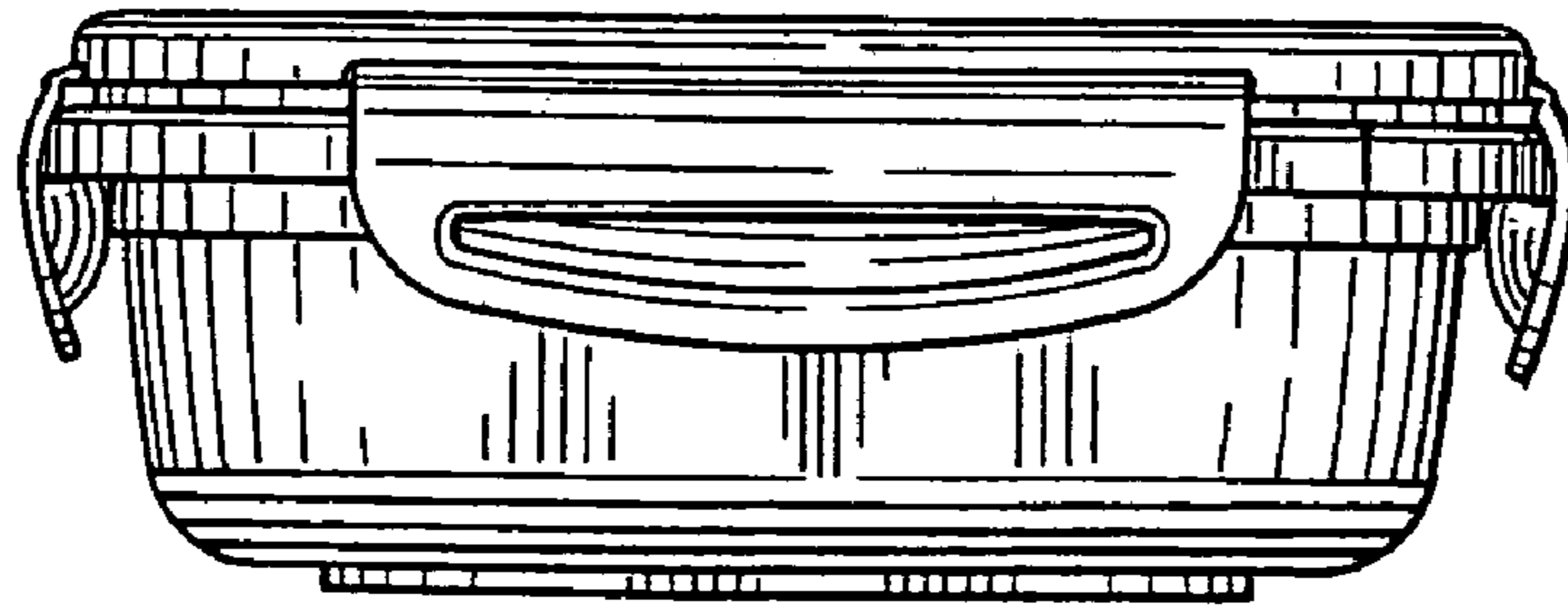


Fig. 4

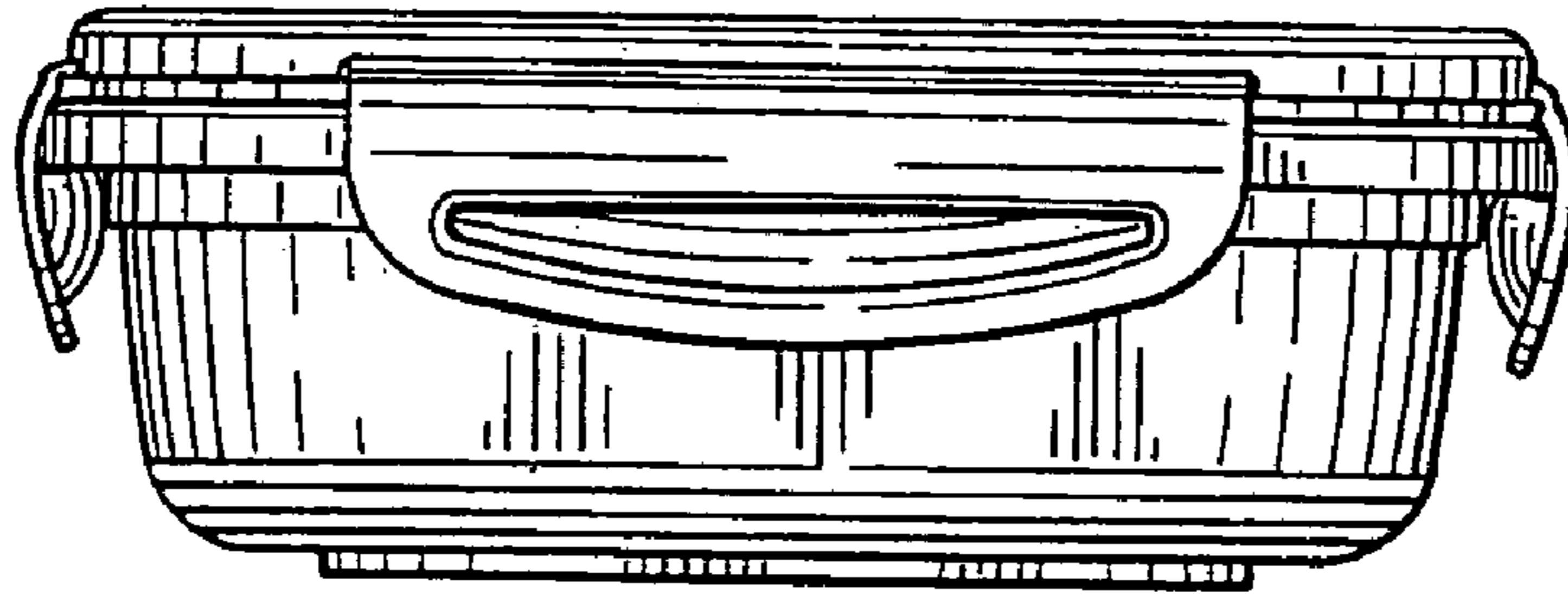


Fig. 5

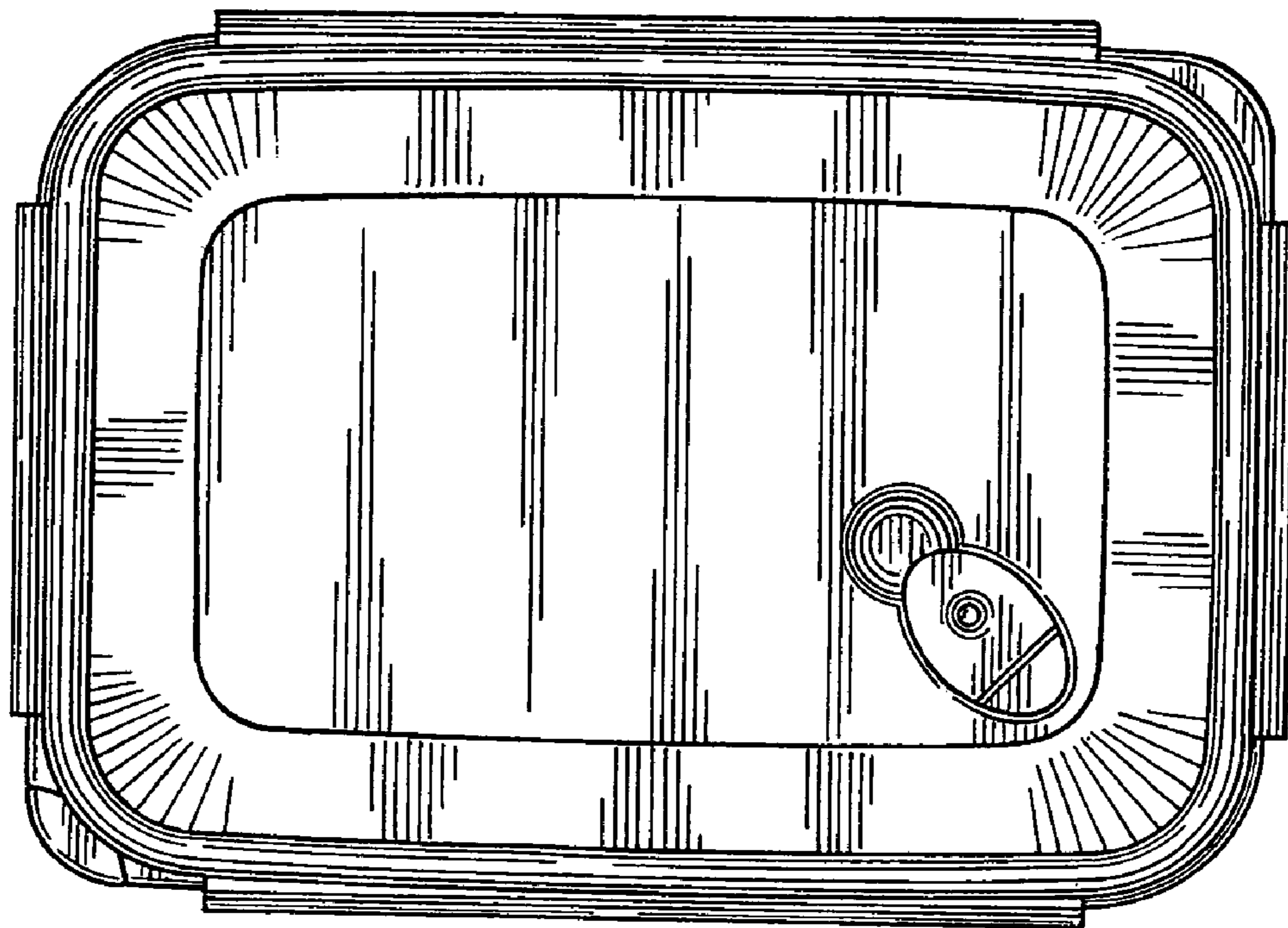


Fig. 6

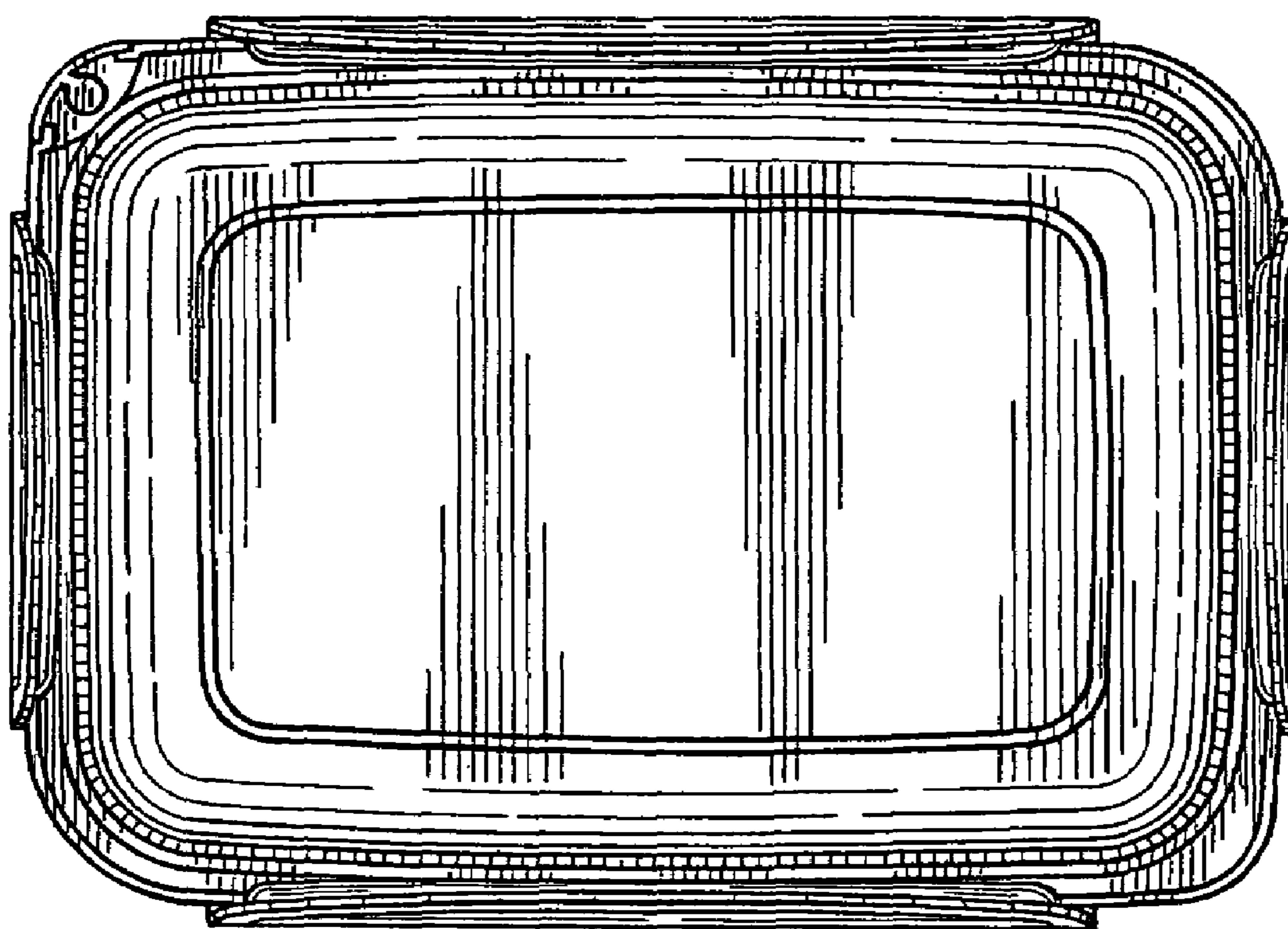


Fig. 7