

US00D544760S

(12) **United States Design Patent**
Croteau et al.

(10) **Patent No.:** **US D544,760 S**

(45) **Date of Patent:** **** Jun. 19, 2007**

(54) **HANDLE FOR JUICE AND MILK CARTONS**

(76) Inventors: **Mike Croteau**, 282 Village Green Drive, Woodbridge, Ontario (CA) L4L 9R3; **Ajaib Hayer**, 35 Withay Drive, Ajax, Ontario (CA) L1T 3J8

(**) Term: **14 Years**

(21) Appl. No.: **29/269,758**

(22) Filed: **Dec. 8, 2006**

(51) **LOC (8) Cl.** **07-06**

(52) **U.S. Cl.** **D7/622**

(58) **Field of Classification Search** D7/619.1-625, D7/701-708; D9/455; 215/395, 396, 398; 220/737, 742; 294/31.1, 31.2, 32, 33
See application file for complete search history.

(56) **References Cited**

U.S. PATENT DOCUMENTS

626,262 A	6/1899	Wright	
2,992,847 A *	7/1961	Lemke et al.	294/31.2
3,017,215 A	1/1962	Galipeau	
3,024,943 A	3/1962	Yeager	
D194,365 S	1/1963	Eicholtz	
D203,403 S	1/1966	Martini	
3,261,635 A	7/1966	Talay	
D215,328 S	9/1969	Fera	
3,615,115 A	10/1971	Simms	
D265,279 S	7/1982	Wright	
4,379,578 A	4/1983	Schuler	
4,842,158 A	6/1989	Reyes, Jr.	

4,964,536 A *	10/1990	Vestering	294/31.2
4,966,303 A	10/1990	Jones	
5,484,182 A	1/1996	Meisner	
D370,384 S	6/1996	Shamis	
6,241,415 B1	6/2001	Stark	
D478,007 S	8/2003	Hayer	

* cited by examiner

Primary Examiner—Terry A. Wallace

(74) *Attorney, Agent, or Firm*—Riches, McKenzie & Herbert LLP

(57) **CLAIM**

The ornamental design for a handle for juice and milk cartons, as shown and described.

DESCRIPTION

FIG. 1 is a perspective view of a handle for juice and milk cartons showing my new design;

FIG. 2 is a front elevational view thereof;

FIG. 3 is a left side elevational view thereof, the right side elevational view being a mirror image thereof;

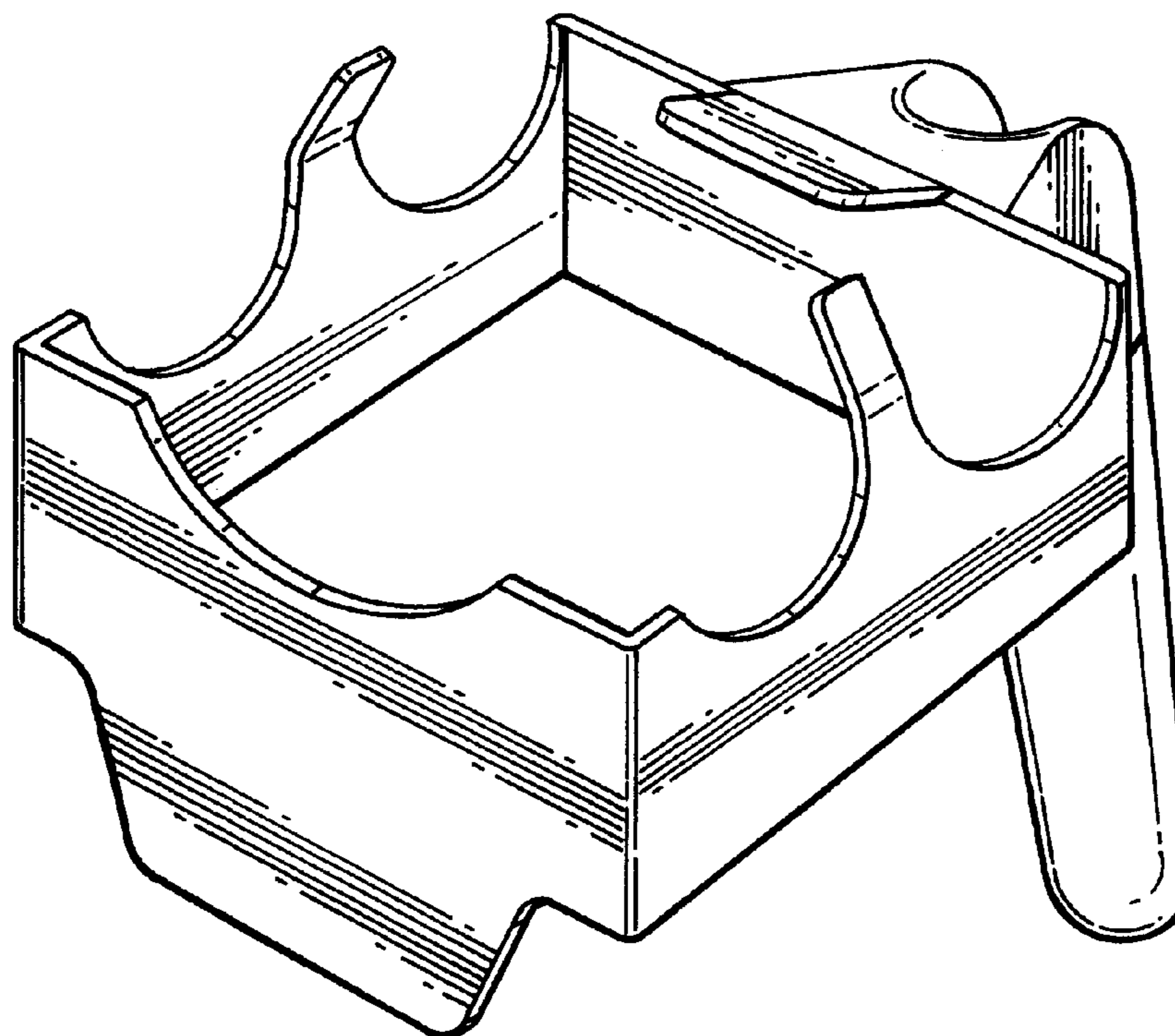
FIG. 4 is a top elevational view thereof;

FIG. 5 is a rear elevational view thereof;

FIG. 6 is a bottom elevational view thereof; and,

FIG. 7 is a perspective view showing the handle for juice and milk cartons in use; the broken lines depict environmental structure for illustrative purposes only and form no part of the claimed design.

1 Claim, 4 Drawing Sheets



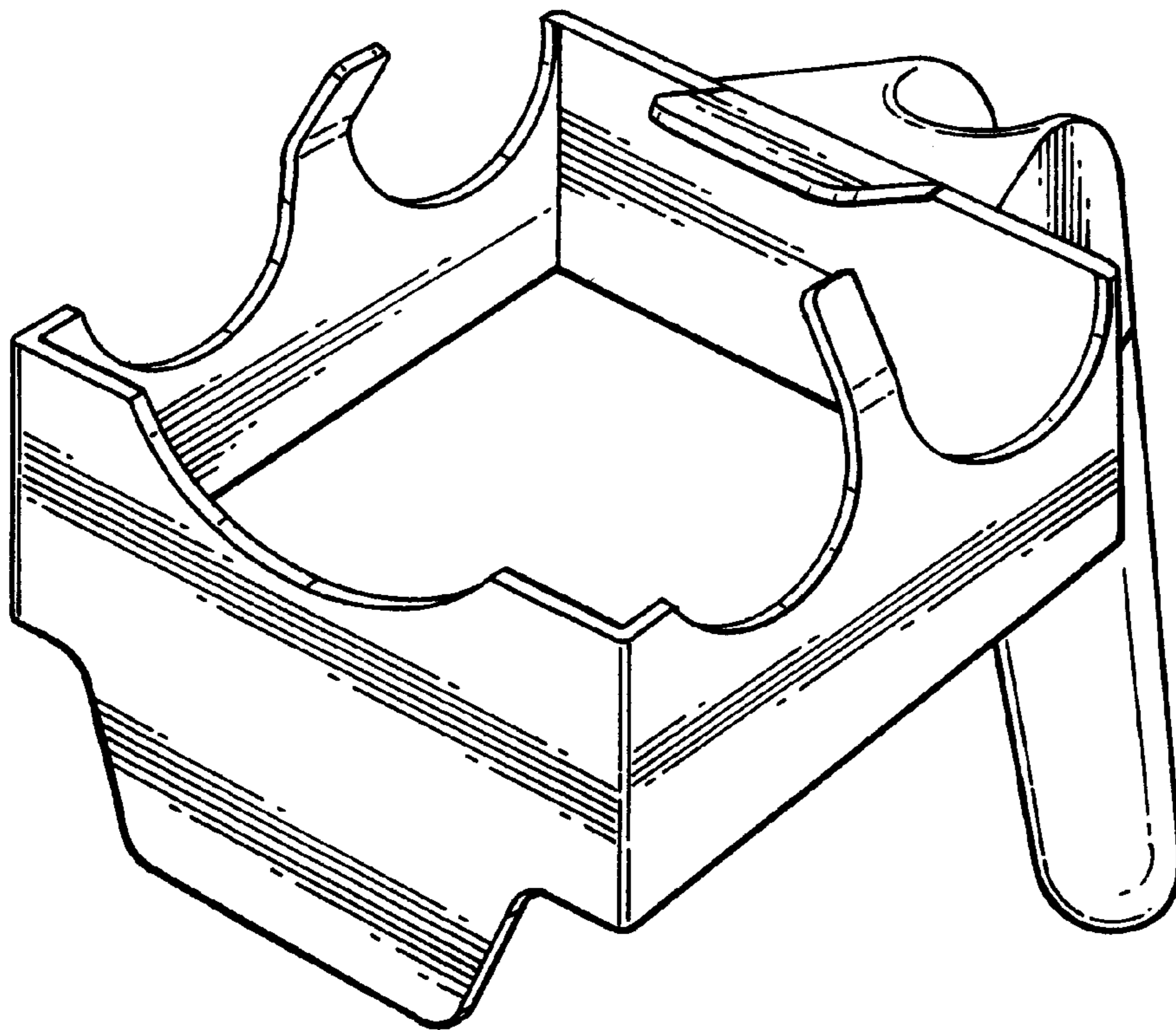


FIG. 1.

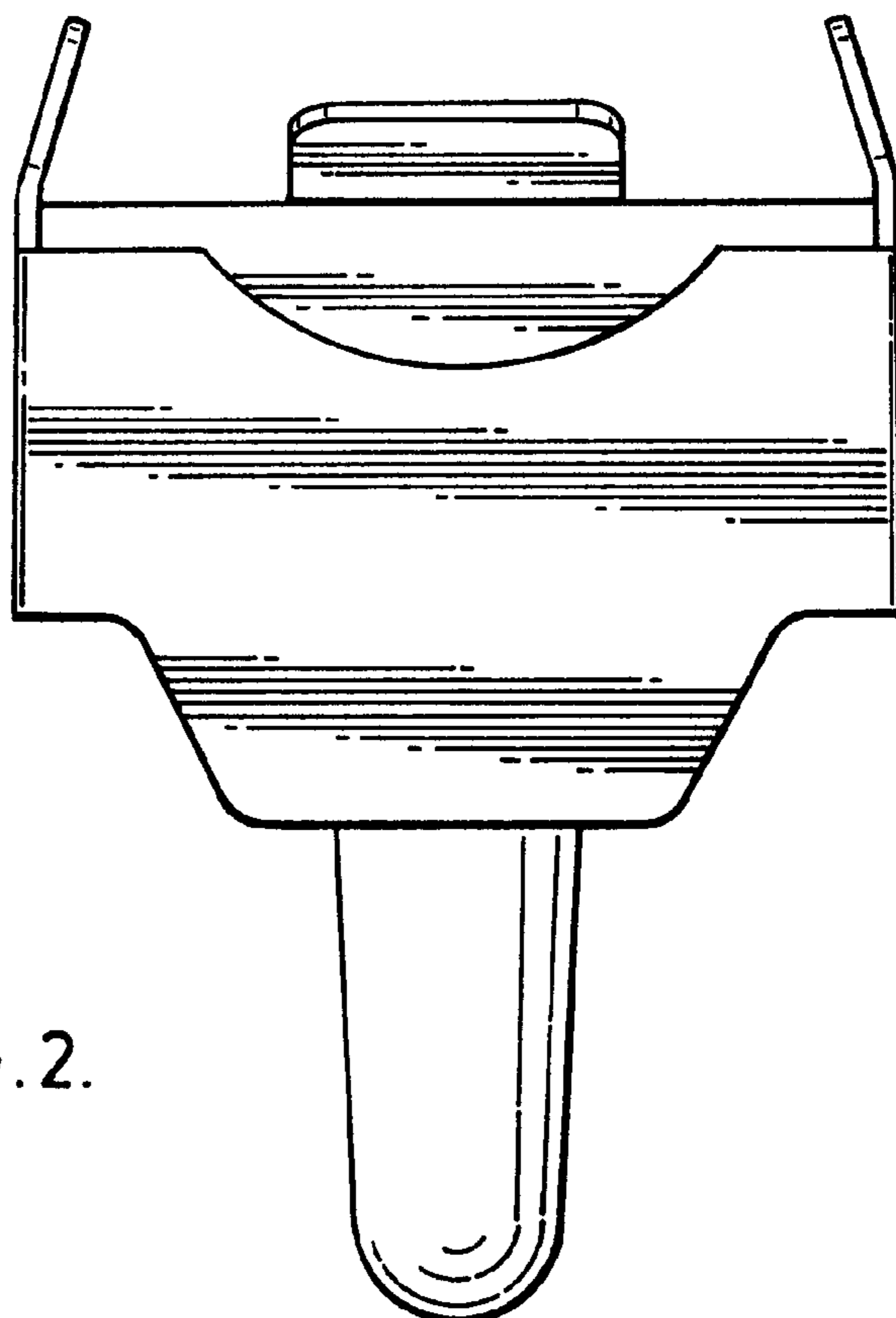


FIG. 2.

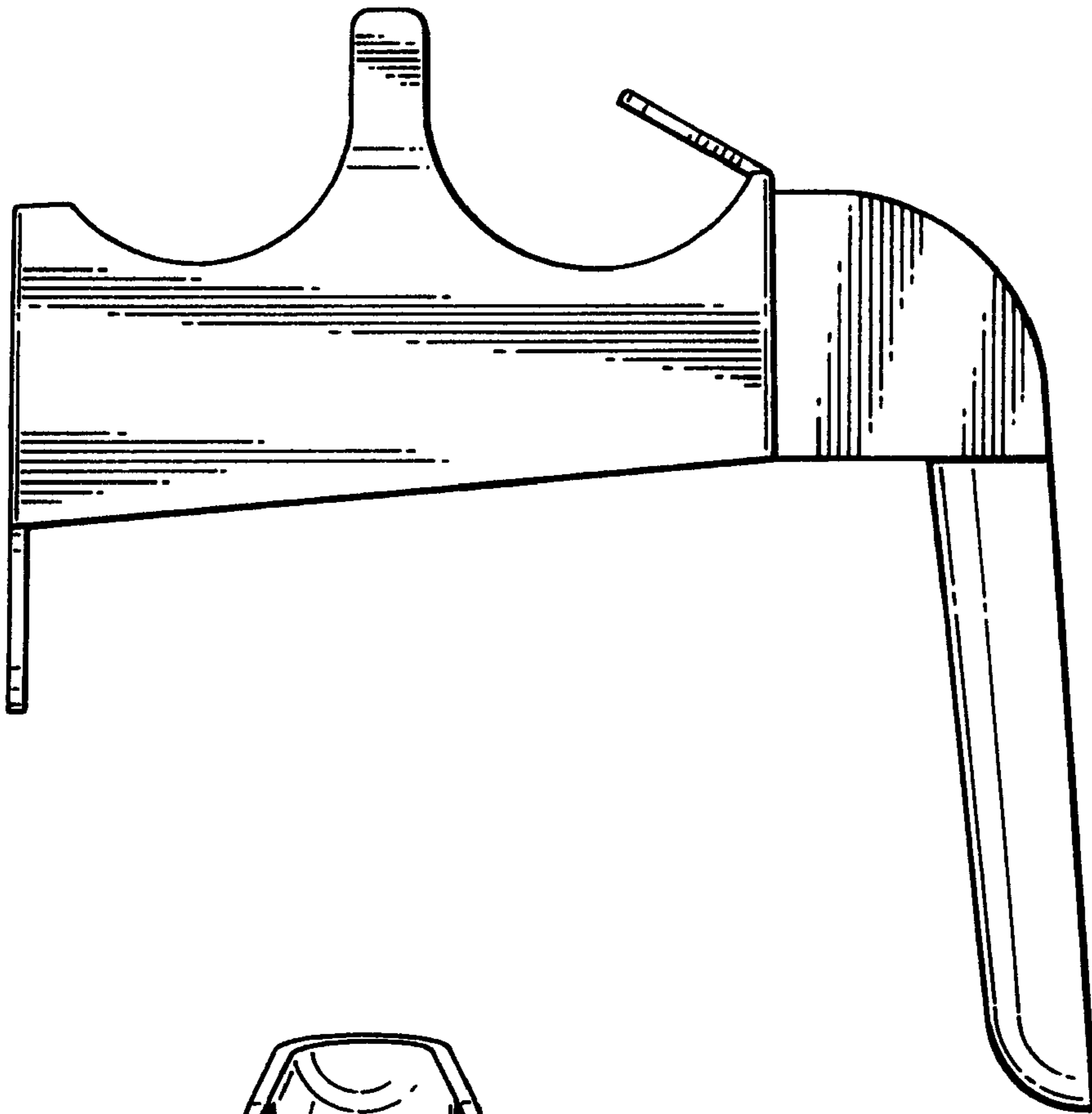


FIG. 3.

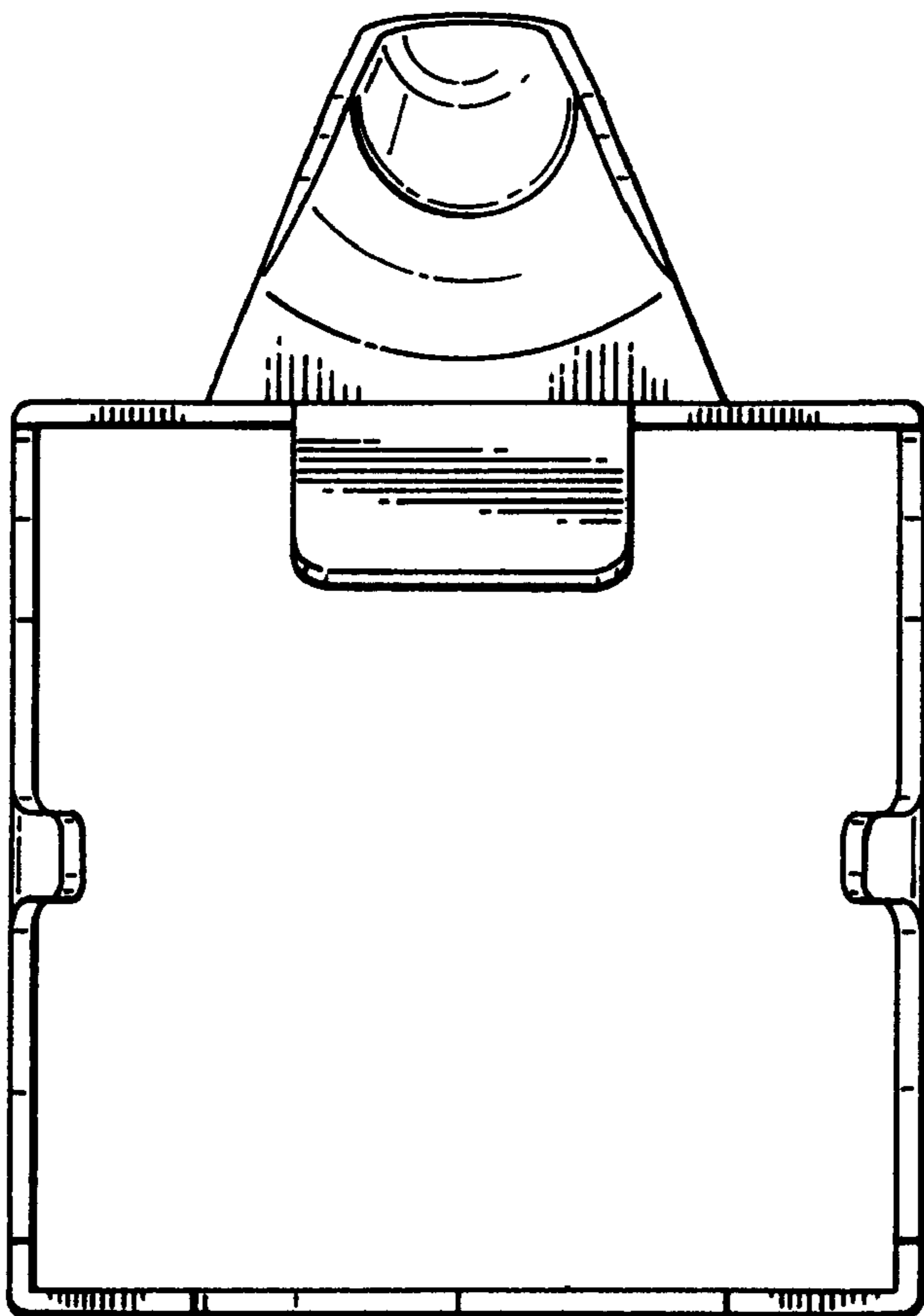


FIG. 4.

FIG. 5.

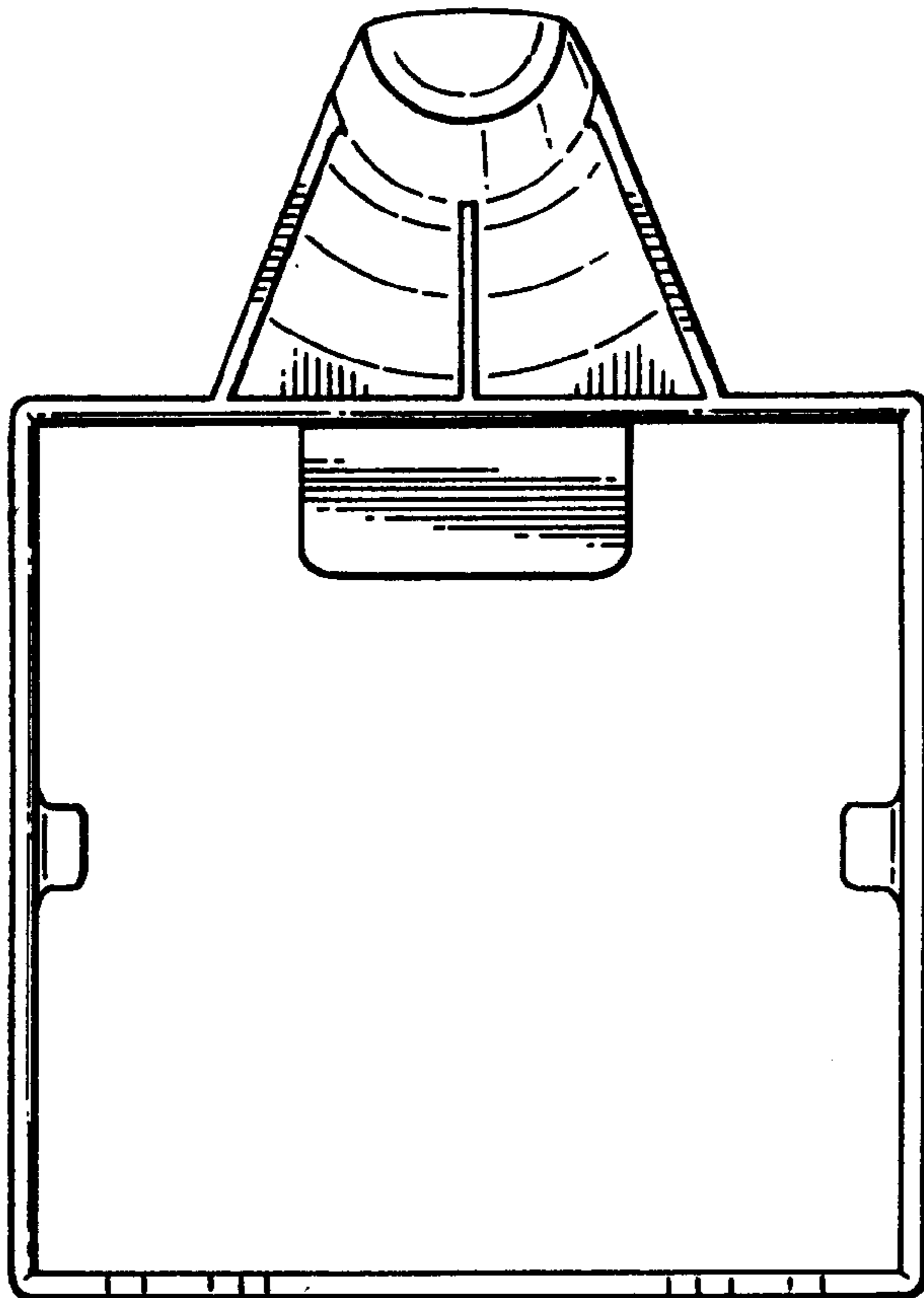
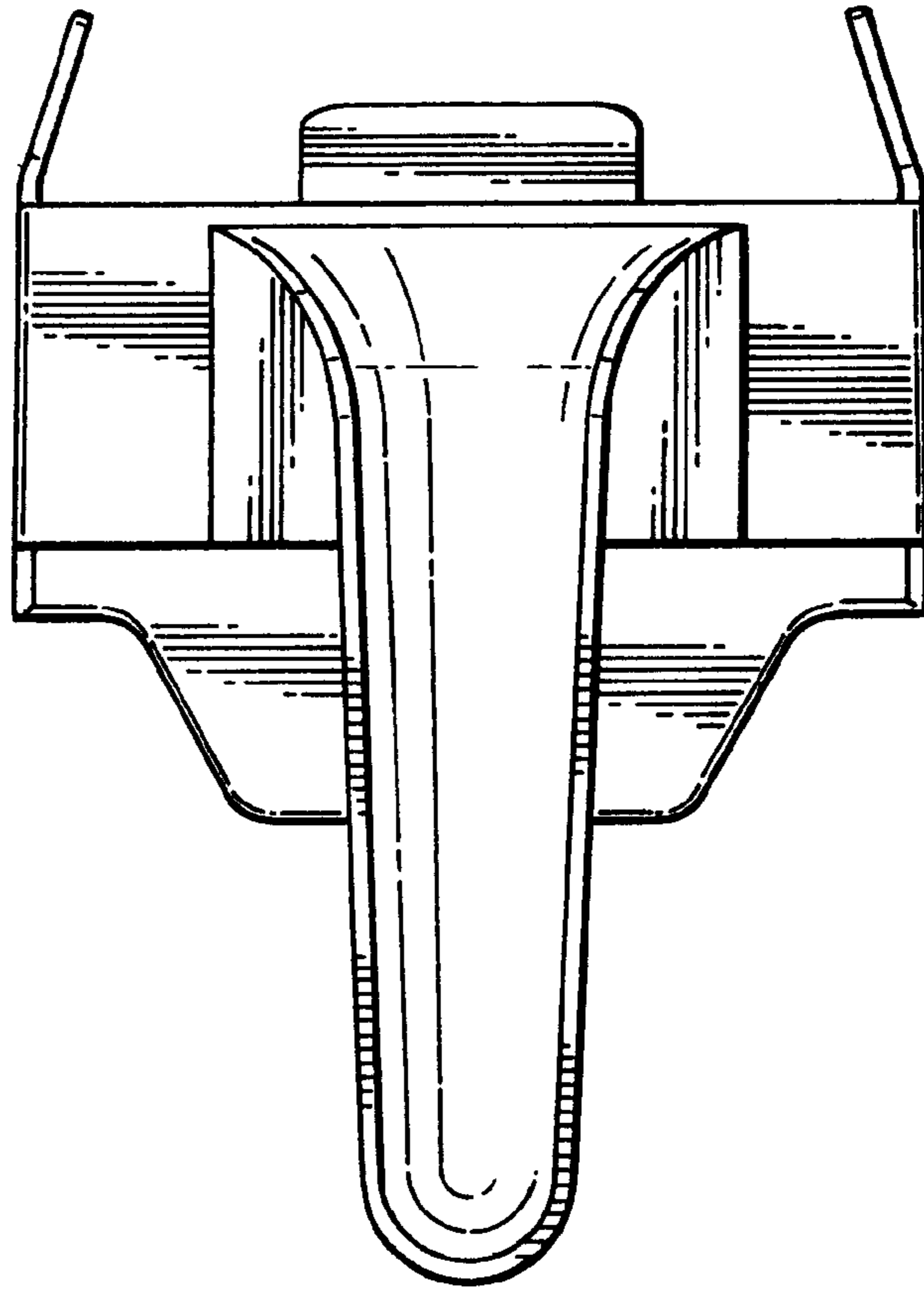


FIG. 6.

FIG. 7.

