

US00D544759S

(12) **United States Design Patent**  
**Jones et al.**

(10) **Patent No.:** **US D544,759 S**  
(45) **Date of Patent:** **\*\* Jun. 19, 2007**

(54) **INSULATED CONTAINER**

(75) Inventors: **Andrew L. Jones**, Andover, KS (US);  
**Michael D. Brockel**, Wichita, KS (US);  
**Timothy M. Holub**, Cheney, KS (US);  
**Mitchell L. Wilgus**, Andover, KS (US)

(73) Assignee: **The Coleman Company, Inc.**, Wichita,  
KS (US)

(\*\*) Term: **14 Years**

(21) Appl. No.: **29/248,979**

(22) Filed: **Sep. 13, 2006**

(51) **LOC (8) Cl.** ..... **07-01**

(52) **U.S. Cl.** ..... **D7/605**

(58) **Field of Classification Search** ..... D7/605-608,  
D7/709, 710; 62/457.1-457.7, 239, 371,  
62/376, 3.62, 3.64; 220/592.16, 59.17, 592.2,  
220/592.23-592.27, 915.1, 915.2; 280/47.1,  
280/47.37; D15/81; D12/423, 424; 190/18 A  
See application file for complete search history.

(56) **References Cited**

**U.S. PATENT DOCUMENTS**

D400,053 S \* 10/1998 Coffee et al. .... D7/605  
D451,765 S \* 12/2001 Israel et al. .... D7/605

**OTHER PUBLICATIONS**

Coleman 2006 Outdoor Products Catalog, (pages related to coolers),  
2005, pp. 114-123, The Coleman Company, Inc., Wichita, Kansas.

\* cited by examiner

*Primary Examiner*—Terry A. Wallace

(74) *Attorney, Agent, or Firm*—Leydig, Voit & Mayer, Ltd.

(57) **CLAIM**

The ornamental design for an insulated container, as shown  
and described.

**DESCRIPTION**

FIG. 1 is a side perspective view of an embodiment of our  
new insulated container;

FIG. 2 is a front elevation view thereof;

FIG. 3 is a top plan view thereof;

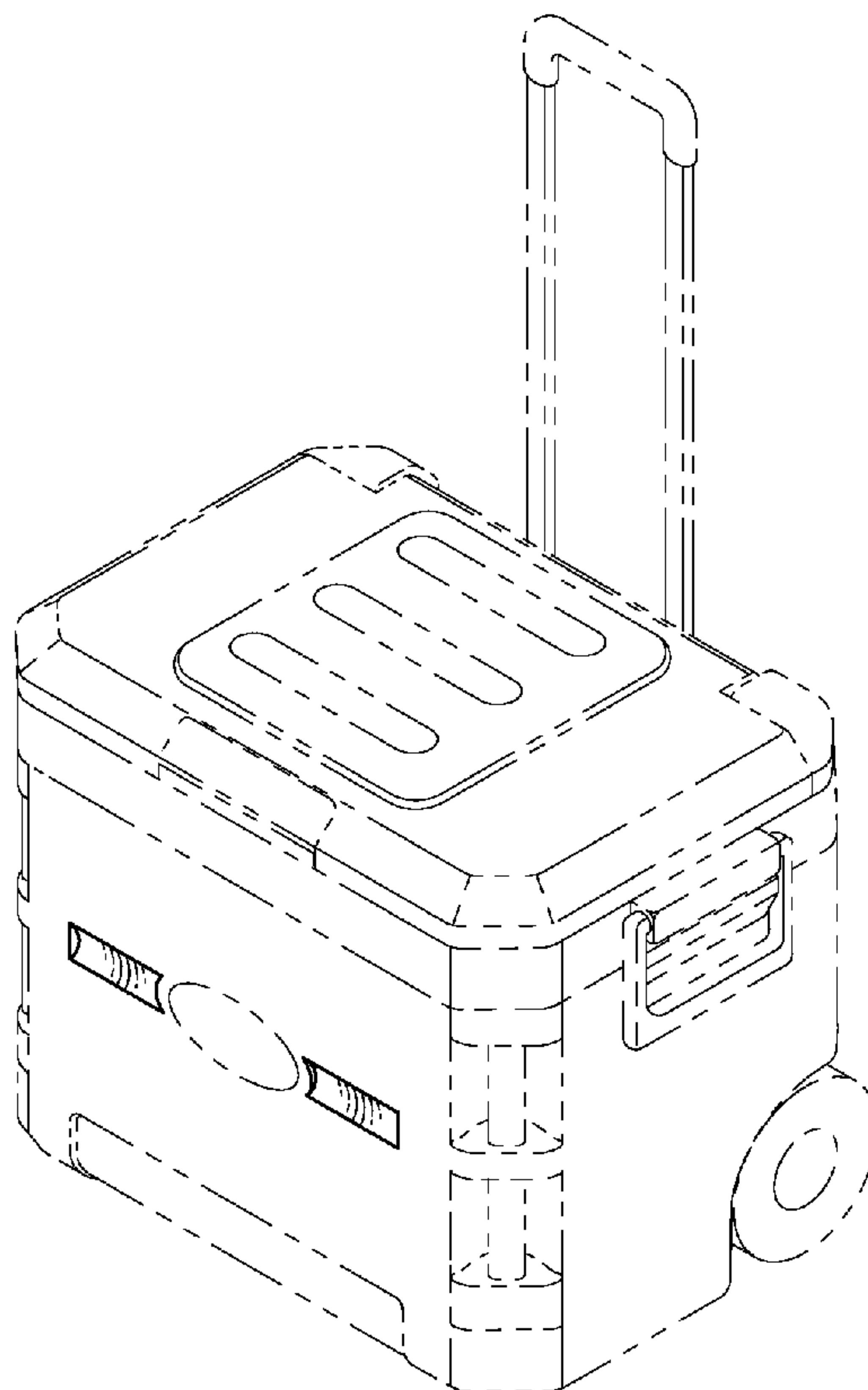
FIG. 4 is a side perspective view of an alternate embodiment  
of our new insulated container;

FIG. 5 is a front elevation view thereof; and,

FIG. 6 is a top plan view thereof.

The broken line showing is for illustrative purposes only and  
forms no part of the claimed design.

**1 Claim, 3 Drawing Sheets**



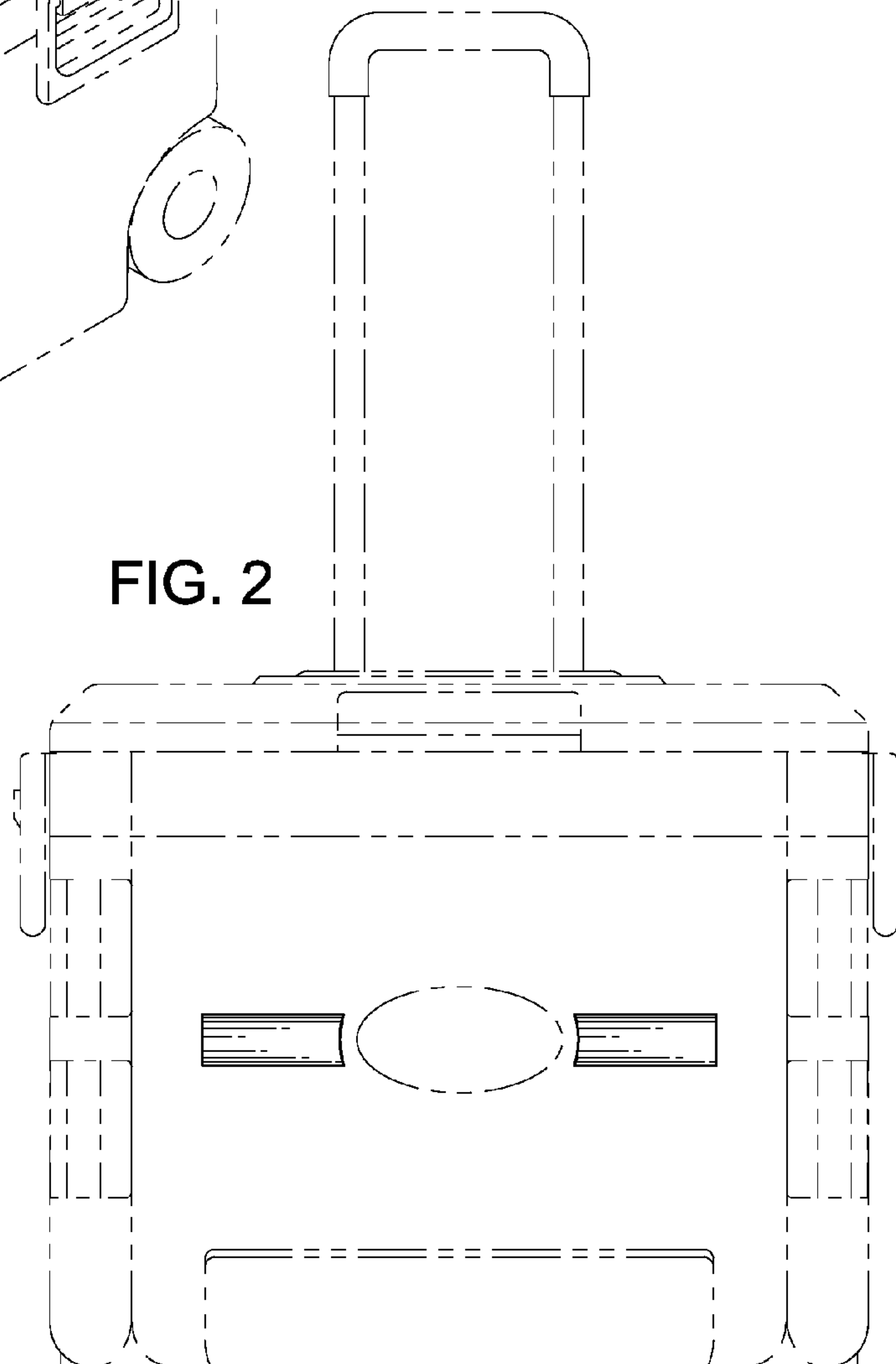
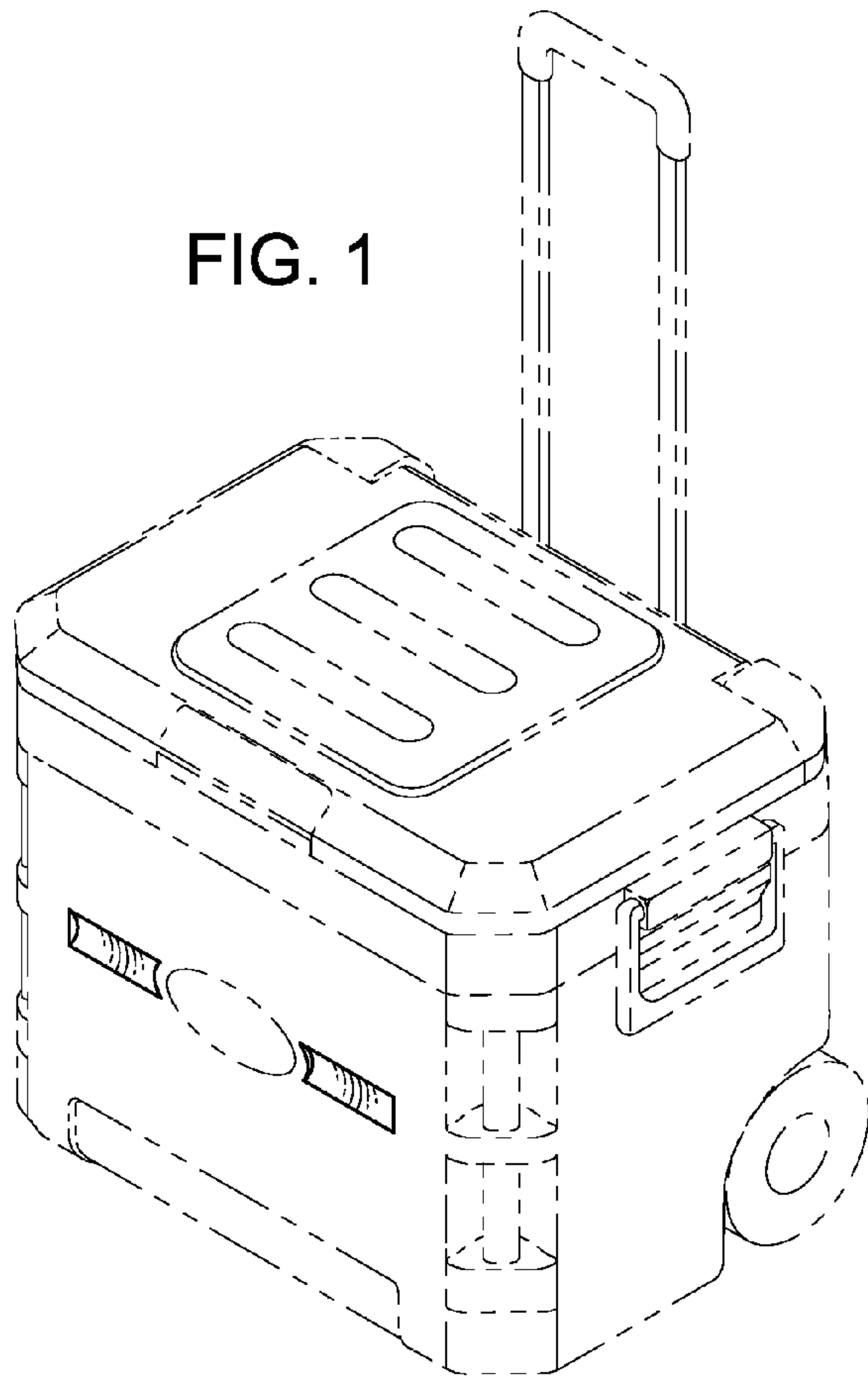


FIG. 4

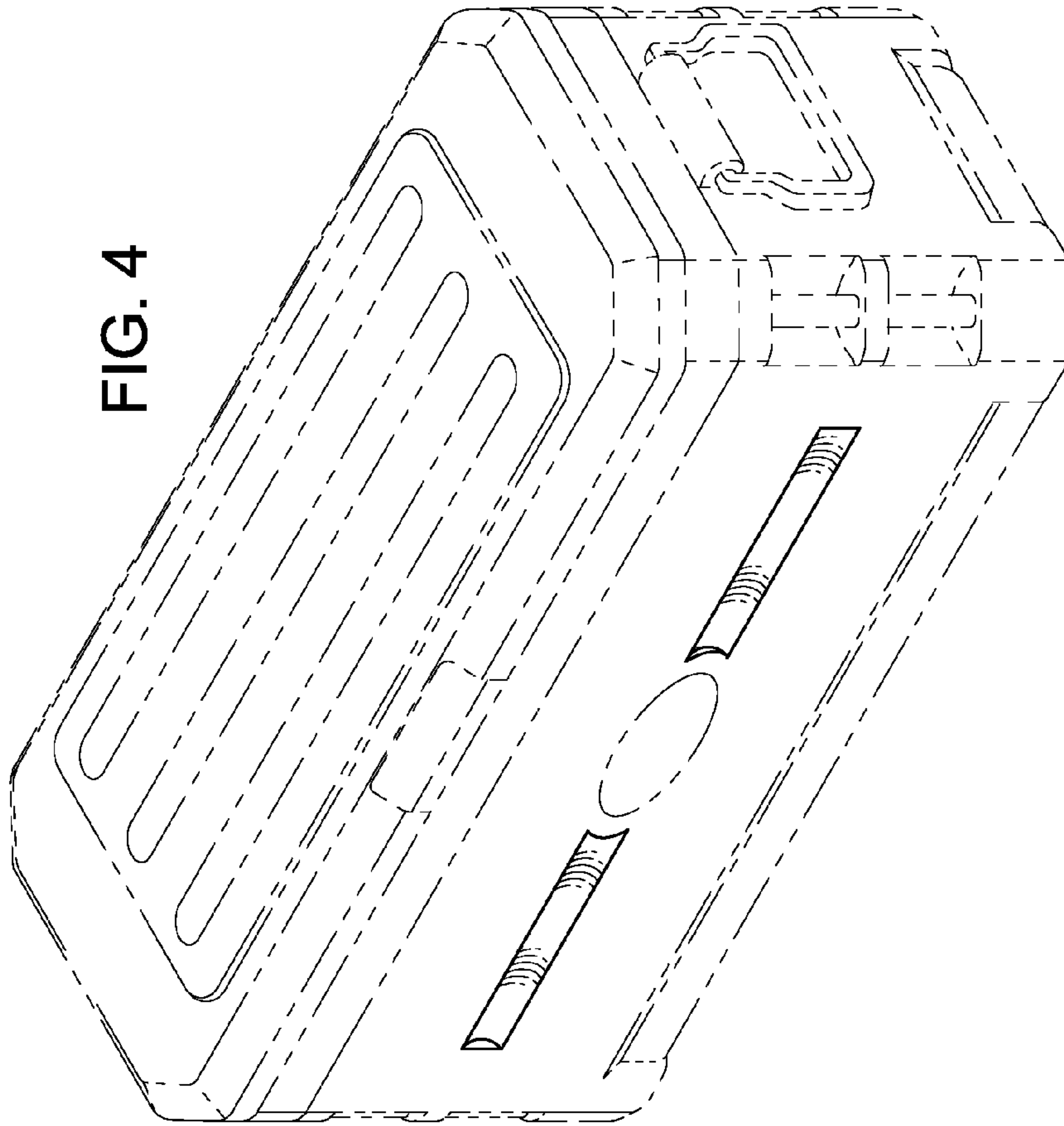
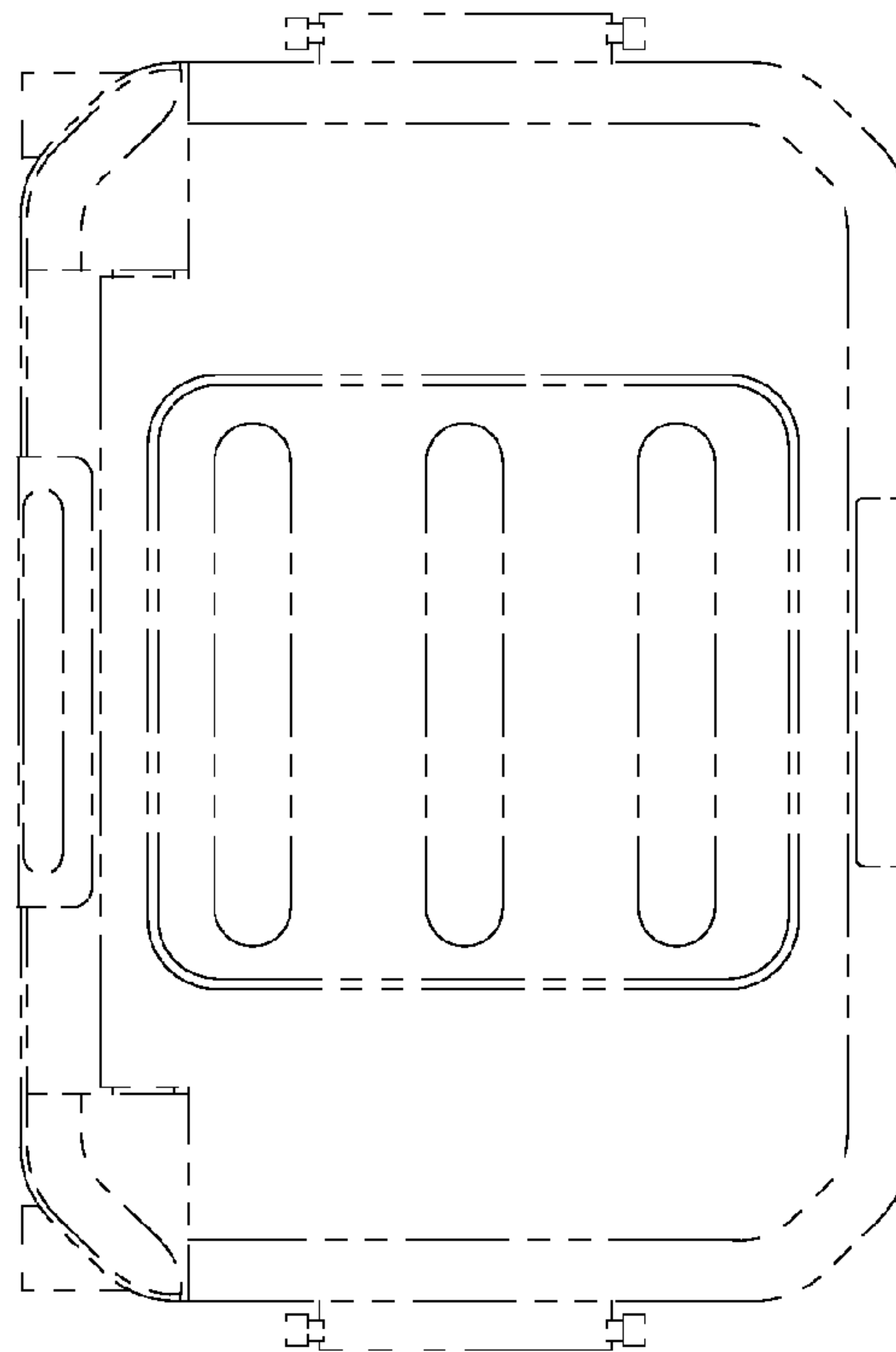


FIG. 3



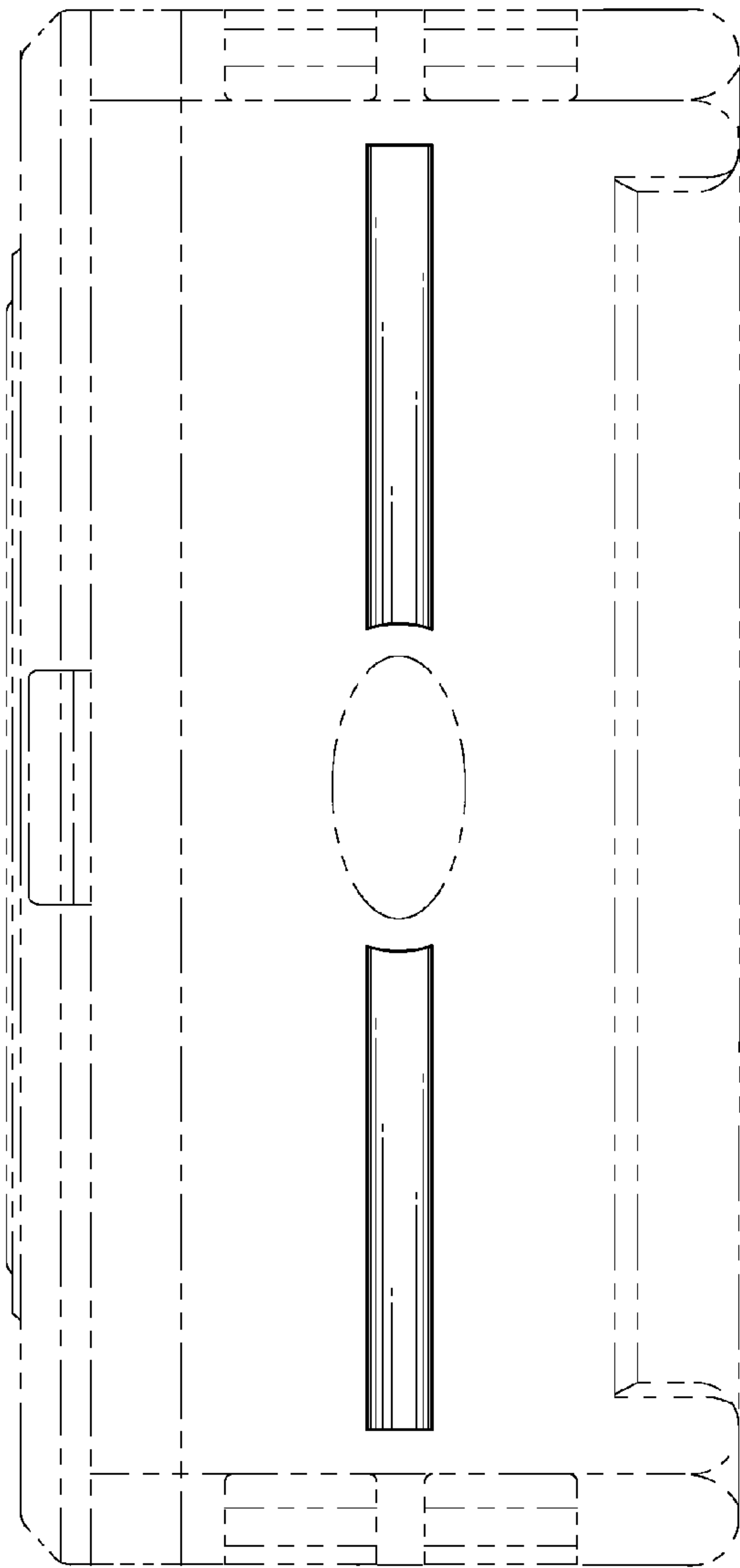


FIG. 5

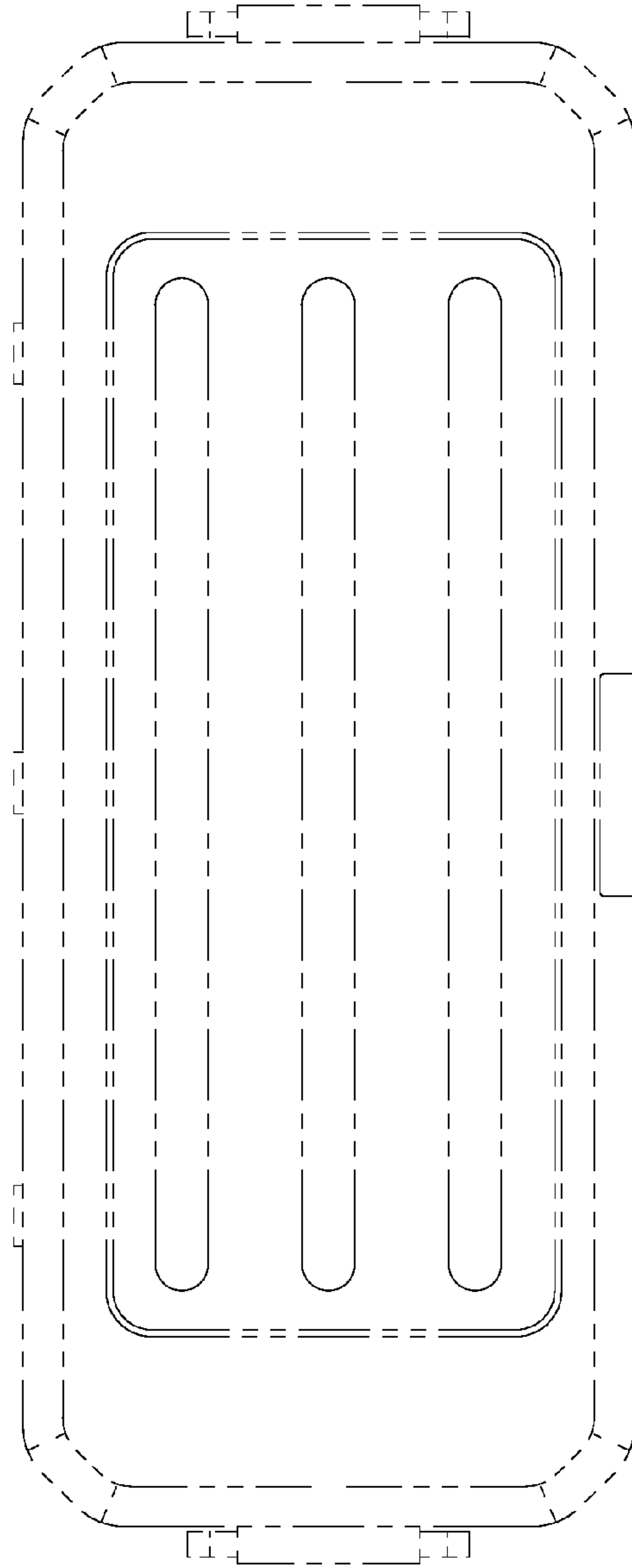


FIG. 6