



US00D544756S

(12) **United States Design Patent**
Jones et al.

(10) **Patent No.:** **US D544,756 S**
(45) **Date of Patent:** **** Jun. 19, 2007**

(54) **INSULATED CONTAINER**

(75) Inventors: **Andrew L. Jones**, Andover, KS (US);
Michael D. Brockel, Wichita, KS (US);
Timothy M. Holub, Cheney, KS (US);
Mitchell L. Wilgus, Andover, KS (US)

(73) Assignee: **The Coleman Company, Inc.**, Wichita,
KS (US)

(**) Term: **14 Years**

(21) Appl. No.: **29/248,762**

(22) Filed: **Aug. 31, 2006**

(51) **LOC (8) Cl.** **07-01**

(52) **U.S. Cl.** **D7/605**

(58) **Field of Classification Search** D7/605-608,
D7/709, 710; 62/457.1-457.7, 239, 371,
62/376, 3.62, 3.64; 220/592.16, 59.17, 592.2,
220/592.23-592.27, 915.1, 915.2; 280/47.1,
280/47.37; D15/81; D12/423, 424; 190/18 A
See application file for complete search history.

(56) **References Cited**

U.S. PATENT DOCUMENTS

D400,053 S * 10/1998 Coffee et al. D7/605
D451,765 S * 12/2001 Israel et al. D7/605

OTHER PUBLICATIONS

Coleman 2006 Outdoor Products Catalog, (pages related to coolers),
2005, pp. 114-123, The Coleman Company, Inc., Wichita, Kansas.

* cited by examiner

Primary Examiner—Terry A. Wallace

(74) *Attorney, Agent, or Firm*—Leydig, Voit & Mayer, Ltd.

(57) **CLAIM**

The ornamental design for an insulated container, as shown
and described.

DESCRIPTION

FIG. 1 is a side perspective view of an embodiment of our
new insulated container;

FIG. 2 is a front elevation view thereof;

FIG. 3 is a top plan view thereof;

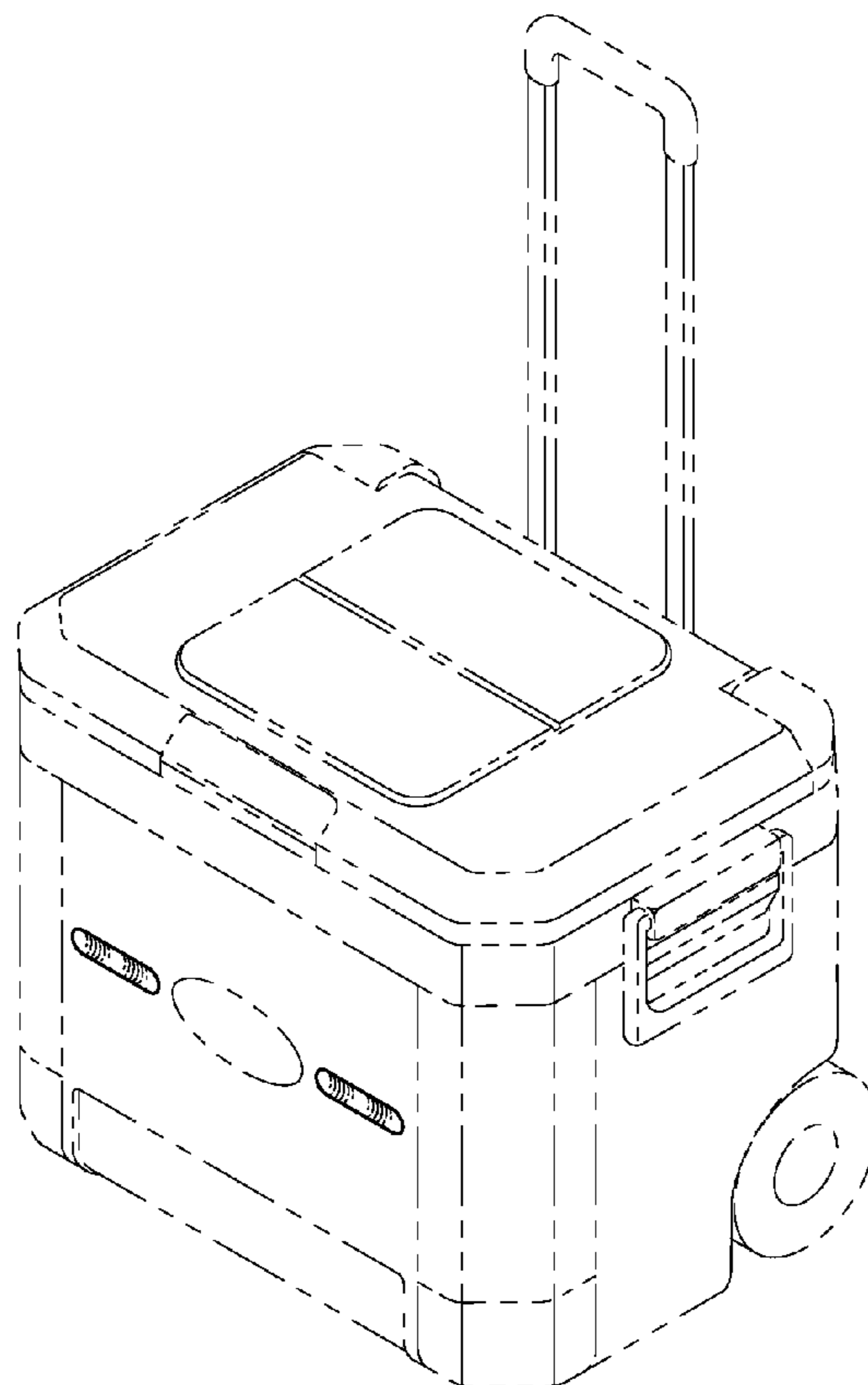
FIG. 4 is a side perspective view of an alternate embodiment
of our new insulated container;

FIG. 5 is a front elevation view thereof; and,

FIG. 6 is a top plan view thereof.

The broken line showing is for illustrative purposes only and
forms no part of the claimed design.

1 Claim, 3 Drawing Sheets



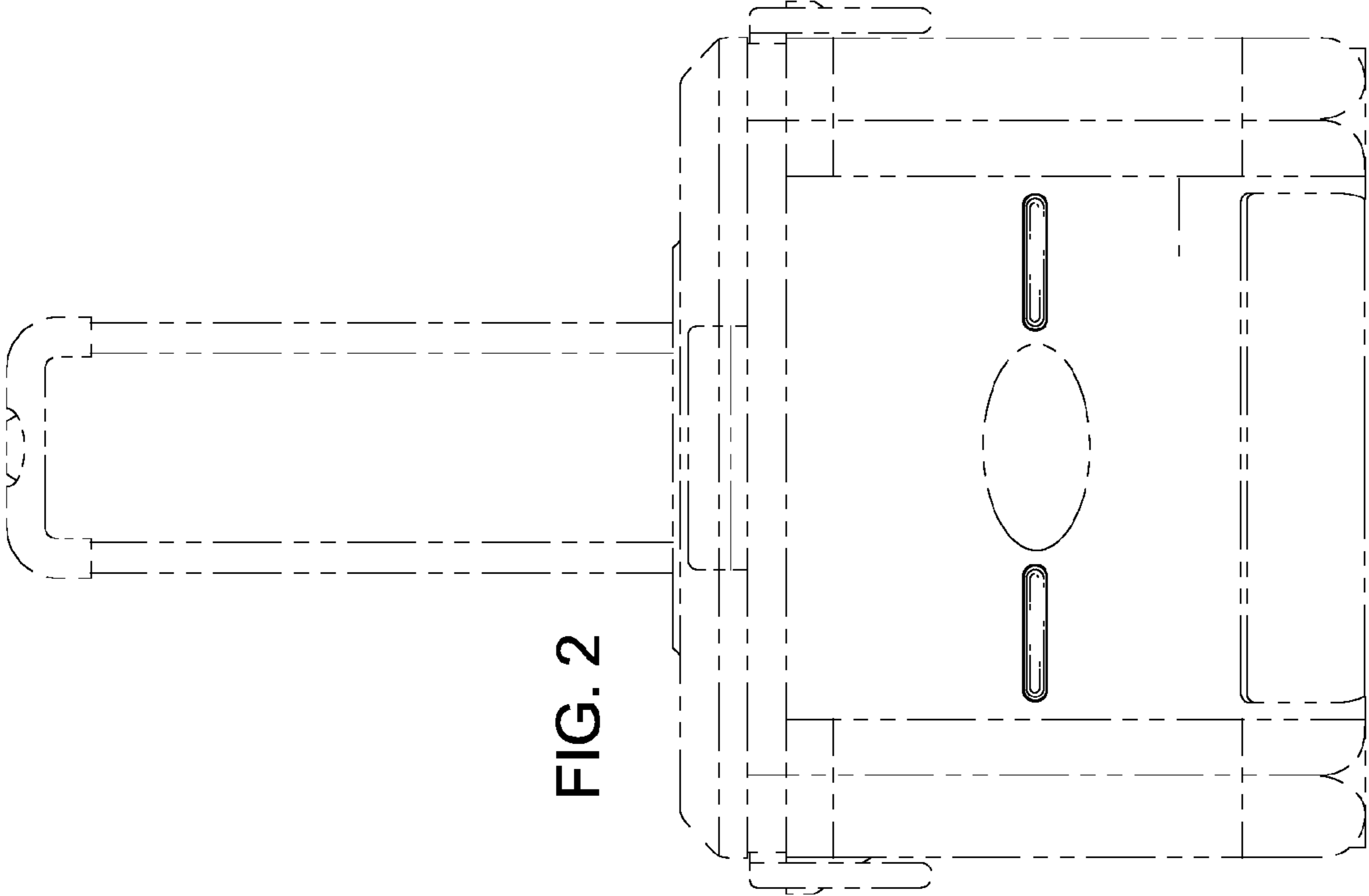


FIG. 2

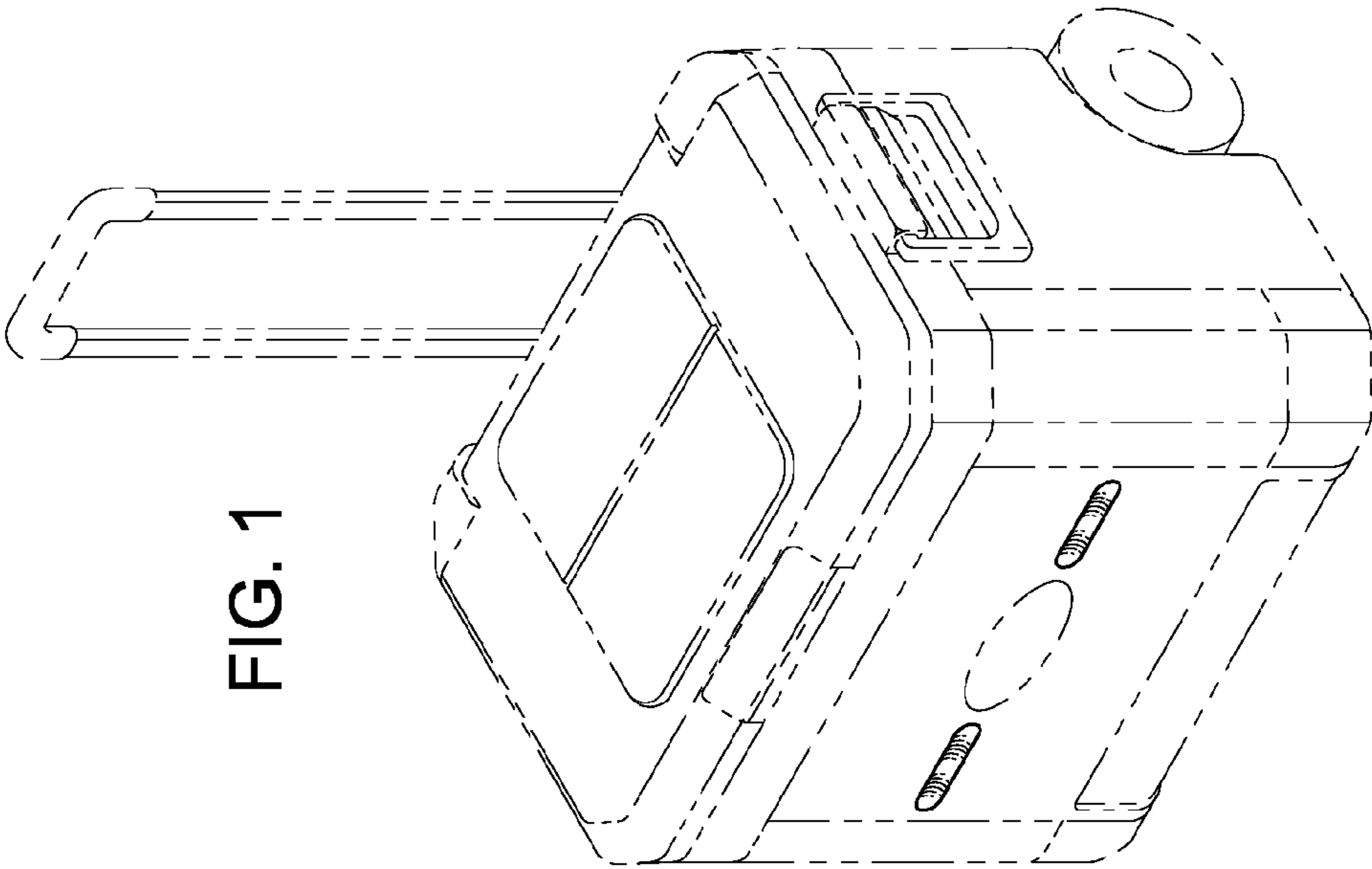


FIG. 1

FIG. 3

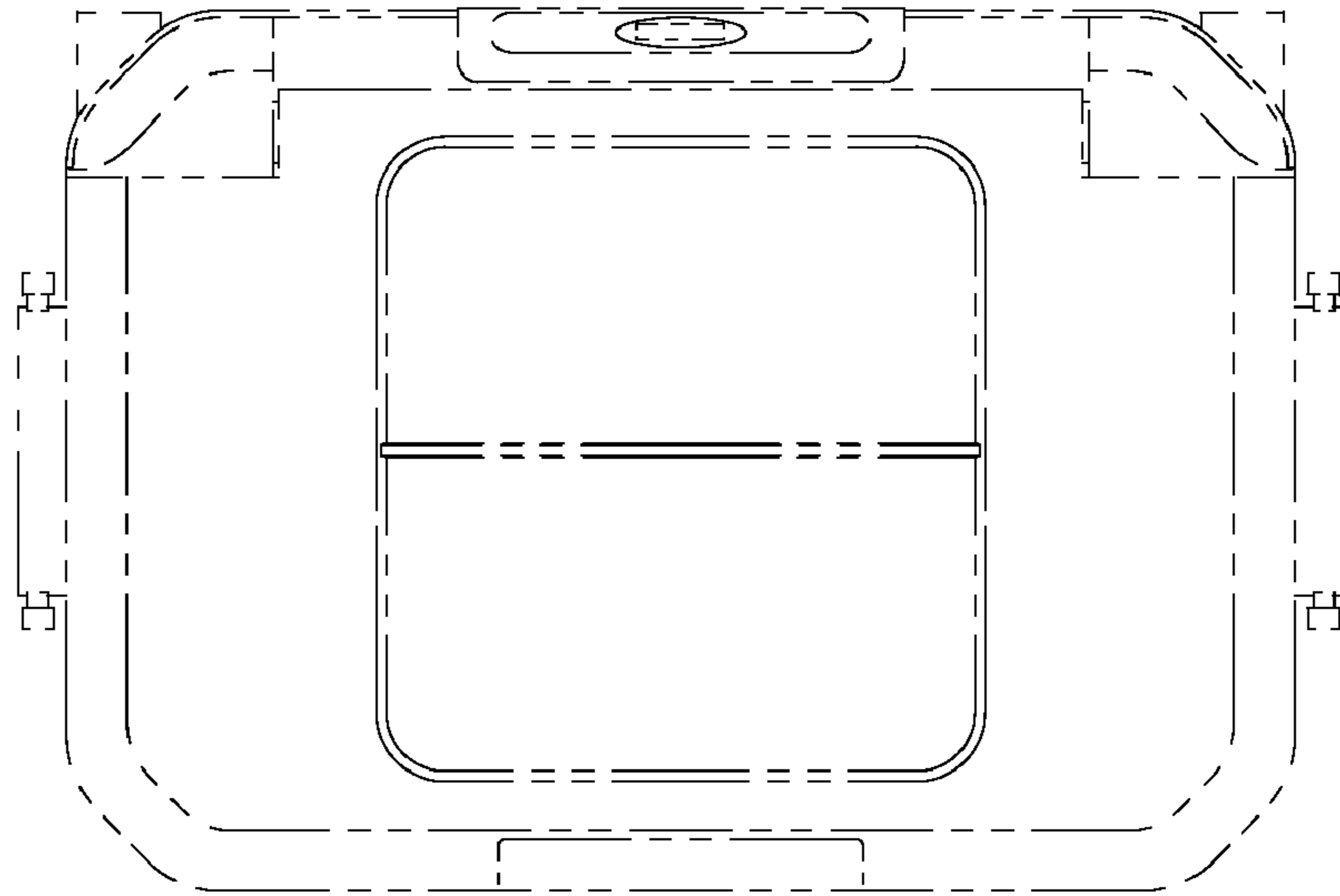
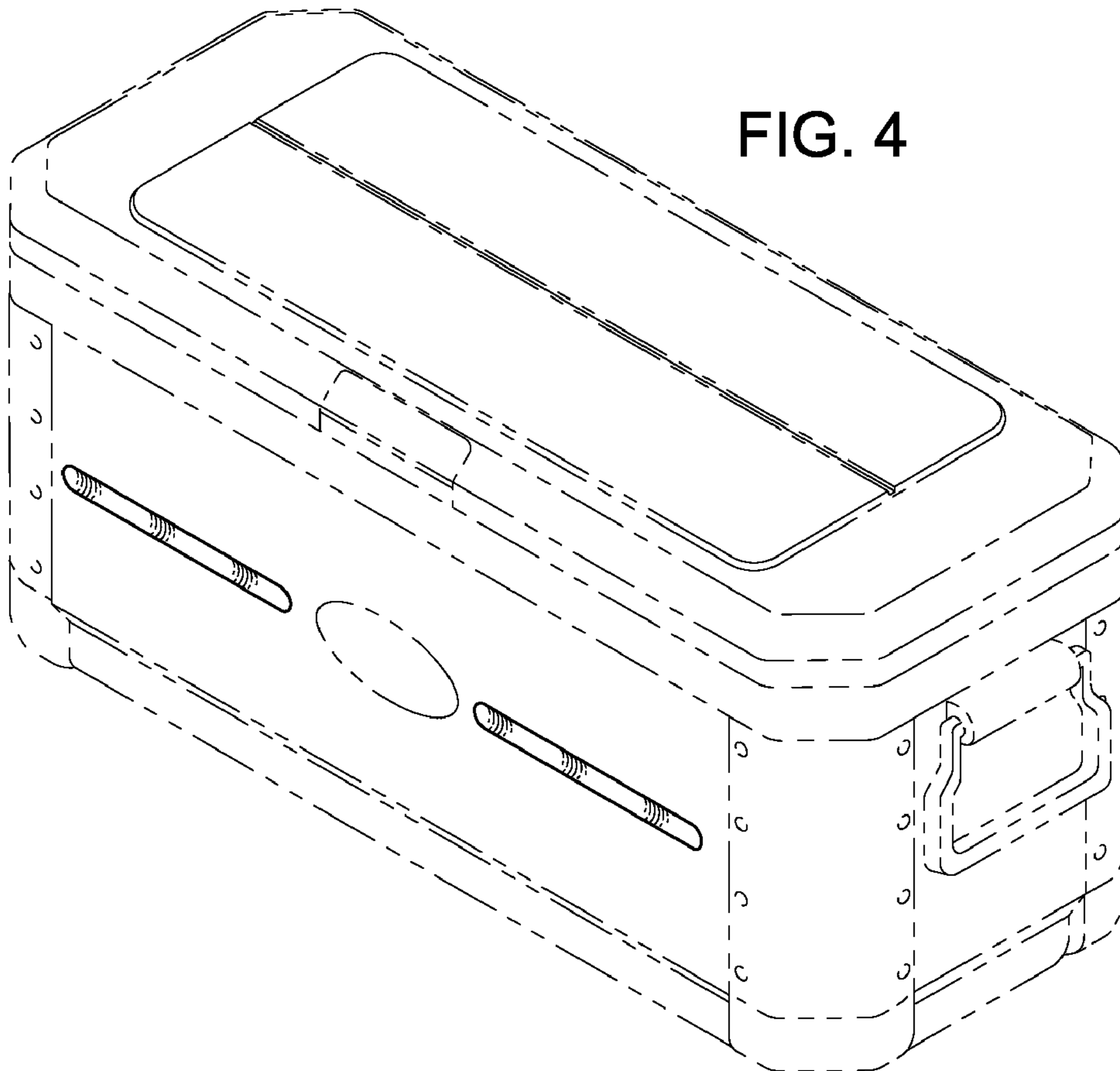


FIG. 4



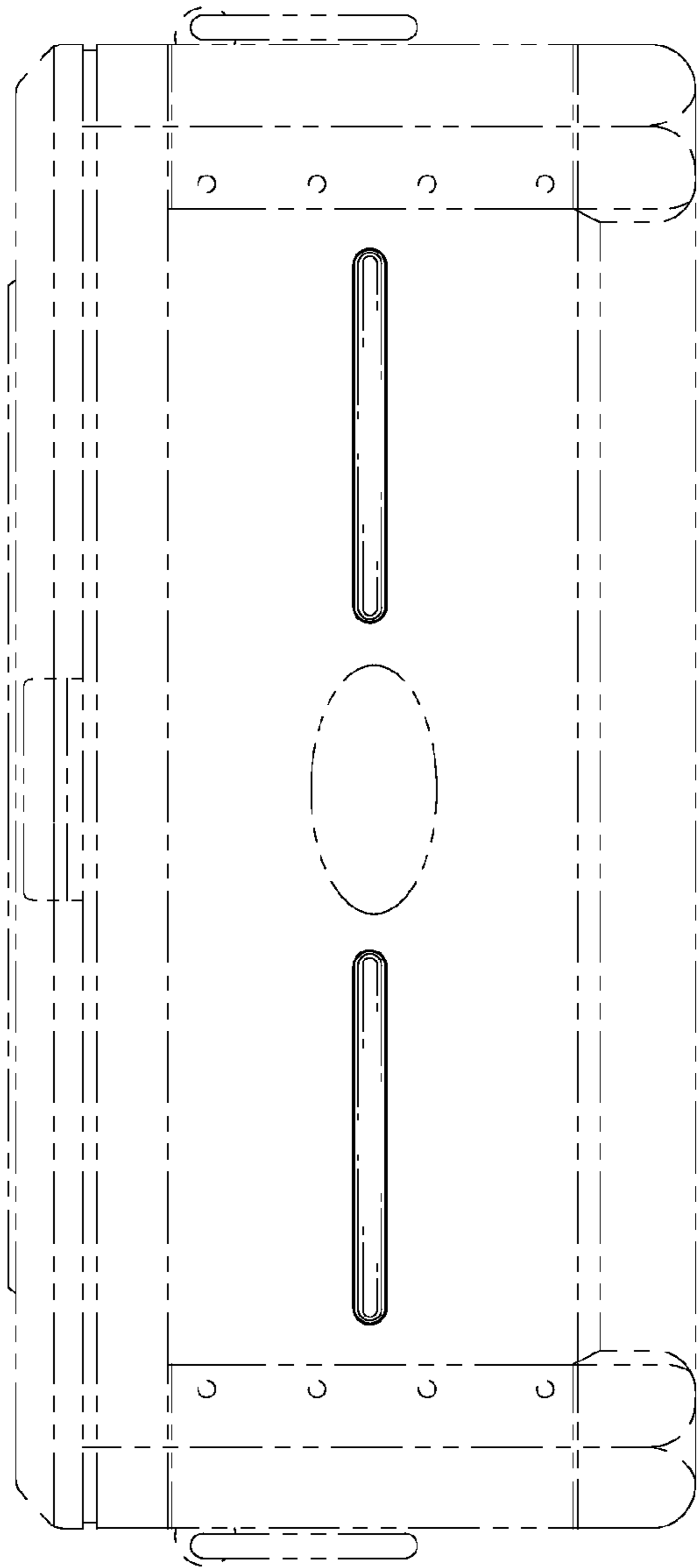


FIG. 5

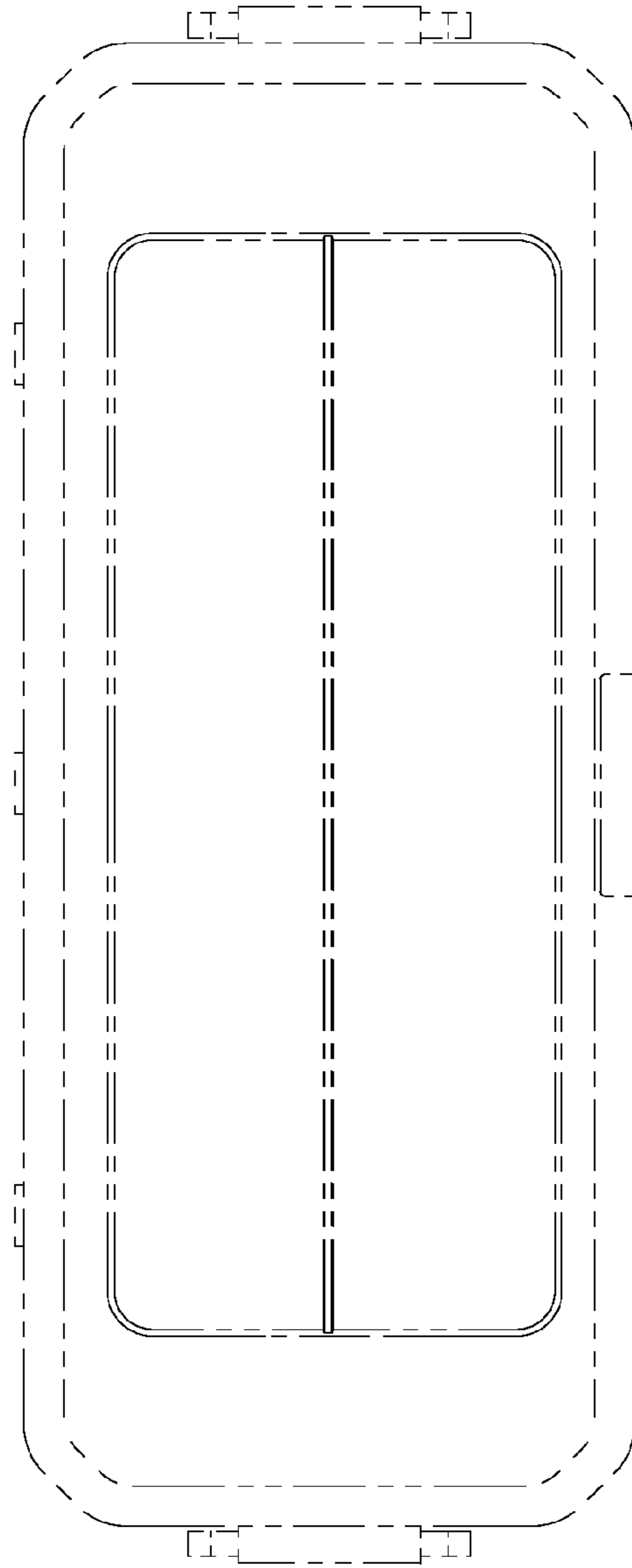


FIG. 6