

US00D544755S

(12) **United States Design Patent**
Diesman

(10) **Patent No.:** **US D544,755 S**

(45) **Date of Patent:** **** Jun. 19, 2007**

(54) **CONTAINER**

D475,620 S * 6/2003 Chen et al. D9/425
D479,672 S * 9/2003 Wichmann et al. D7/602

(75) Inventor: **Jason Diesman**, Naperville, IL (US)

* cited by examiner

(73) Assignee: **Solo Cup Operating Corporation**,
Highland Park, IL (US)

Primary Examiner—Terry A. Wallace

(74) *Attorney, Agent, or Firm*—Banner & Witcoff, Ltd.

(**) Term: **14 Years**

(57) **CLAIM**

(21) Appl. No.: **29/261,846**

I claim the ornamental design for a container, as shown and described.

(22) Filed: **Jun. 21, 2006**

(51) **LOC (8) Cl.** **07-01**

(52) **U.S. Cl.** **D7/602**

(58) **Field of Classification Search** D7/602,
D7/629, 538–545; D9/415, 418, 423–425,
D9/431, 432; 220/281, 662, 574–575, 675,
220/805, 780–788, 792–799; 229/406, 407
See application file for complete search history.

DESCRIPTION

FIG. 1 is a perspective view of the container;
FIG. 2 is a top plan view of the container of FIG. 1;
FIG. 3 is a side view of the container of FIG. 1;
FIG. 4 is a bottom plan view of the container of FIG. 1; and,
FIG. 5 is a cross section view of the container of FIG. 1
taken along lines 5-5 of FIG. 2.

The broken lines are for illustrative purposes only and form no part of the claimed design.

(56) **References Cited**

U.S. PATENT DOCUMENTS

4,412,630 A * 11/1983 Daenen 220/792
D374,155 S * 10/1996 Feer et al. D7/602

1 Claim, 2 Drawing Sheets

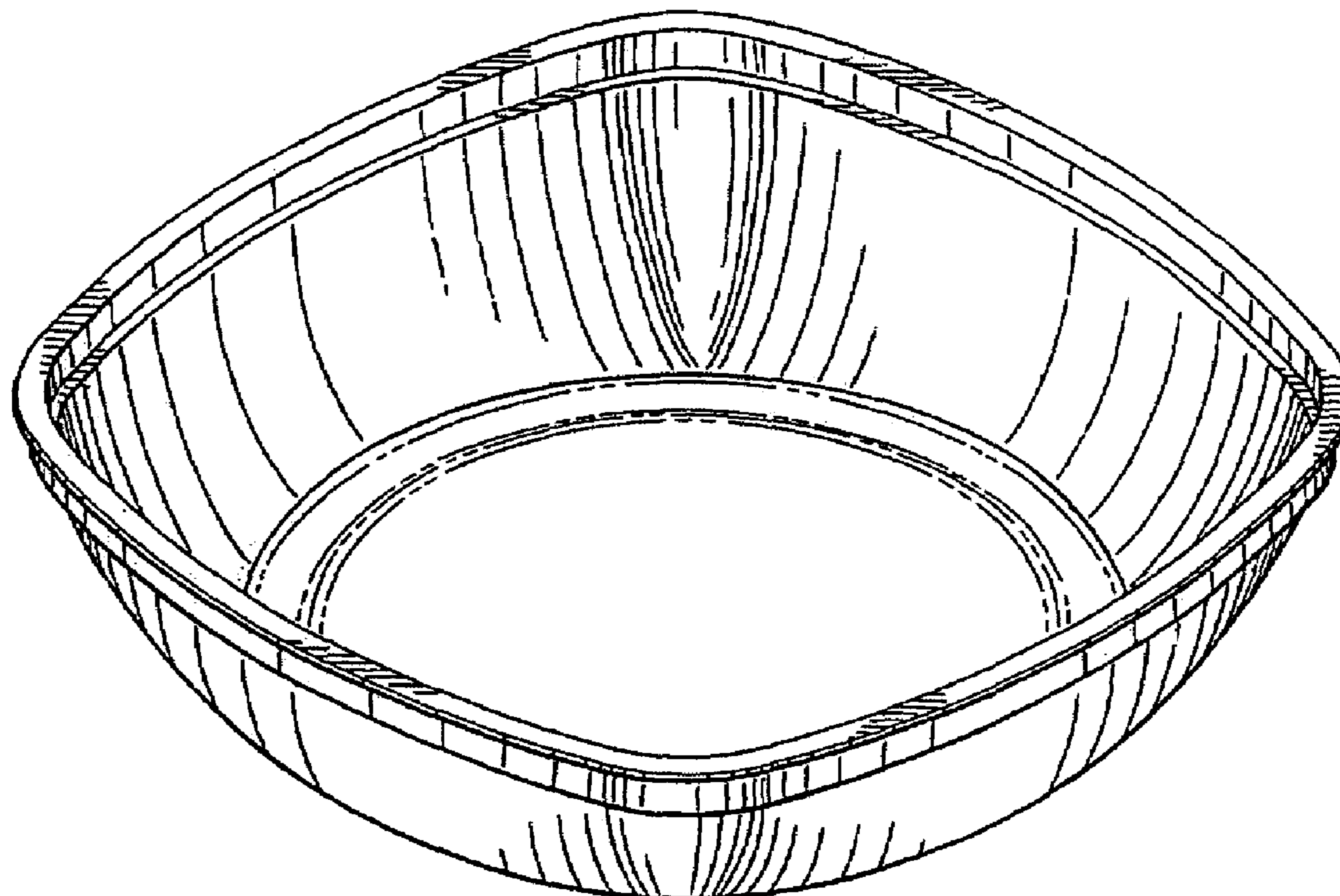


FIG. 1

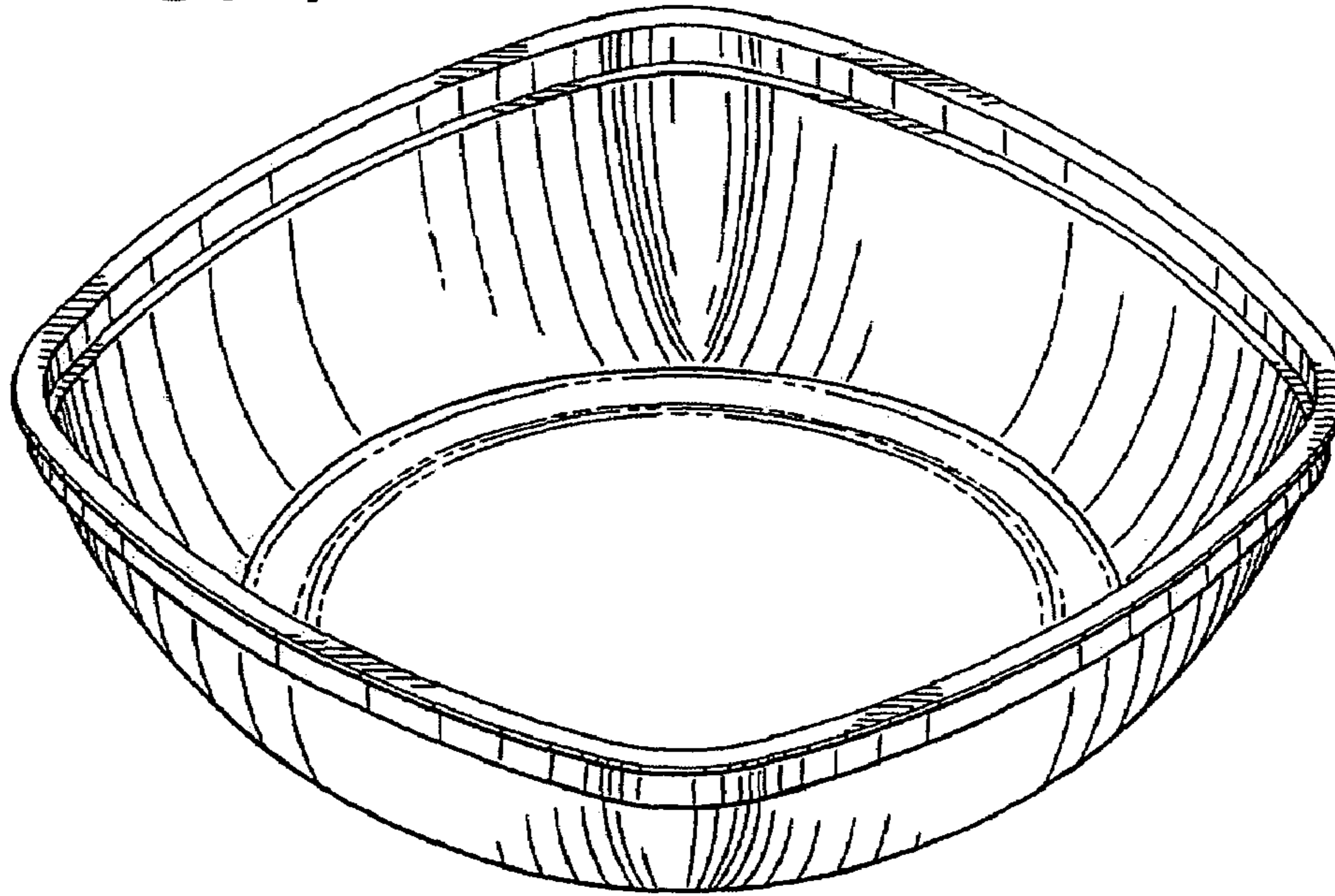


FIG. 2

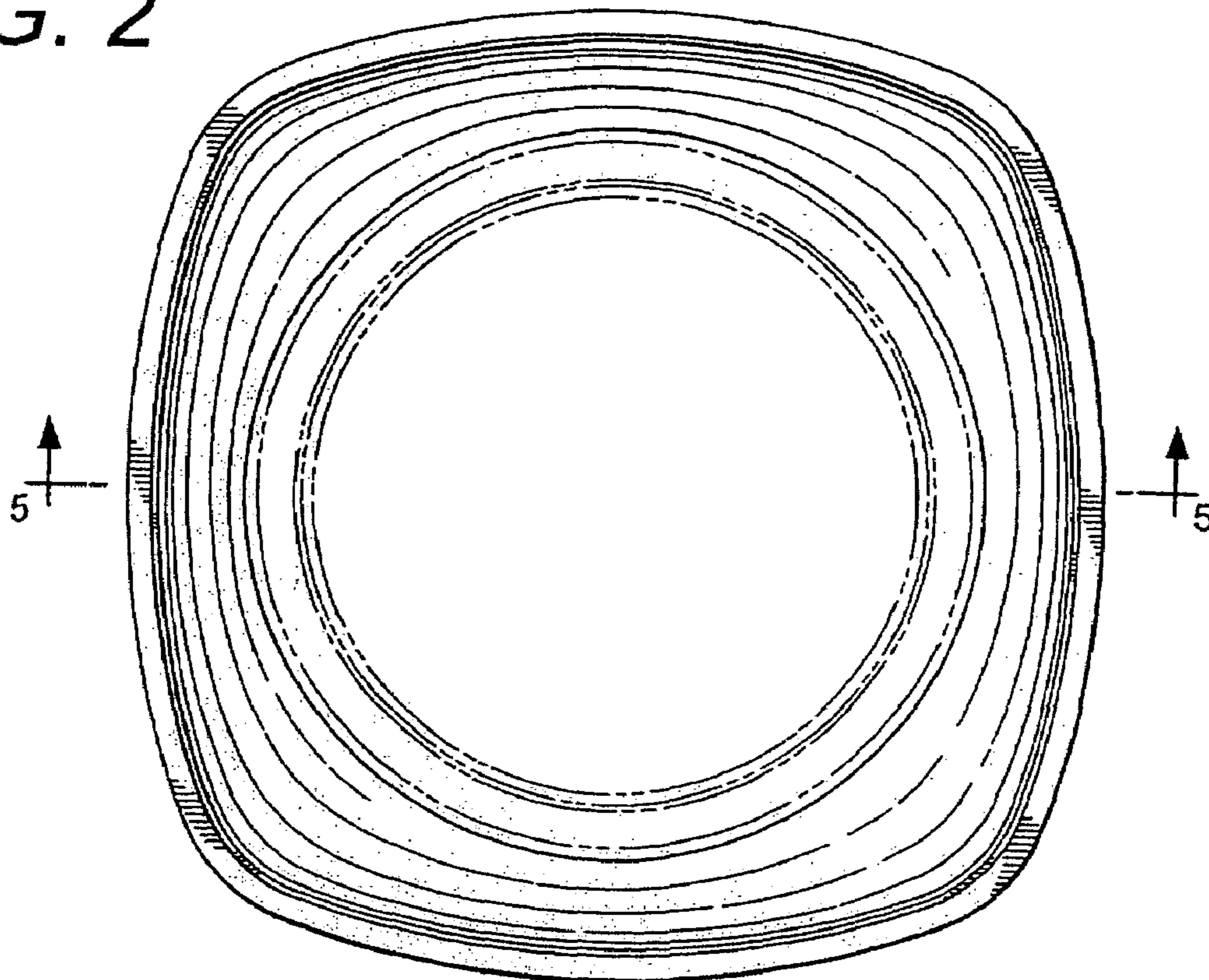


FIG. 3

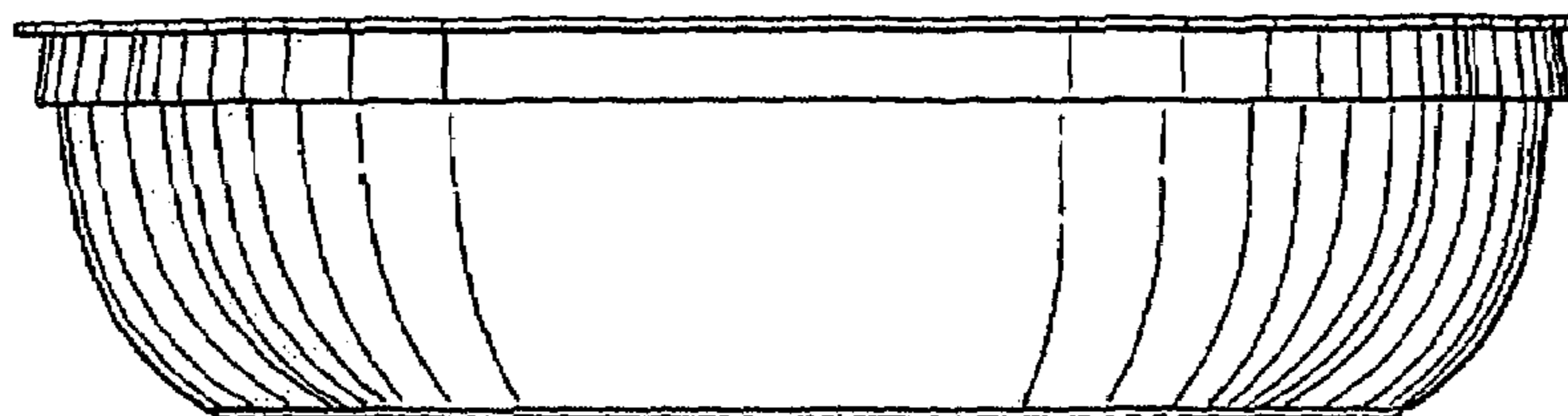


FIG. 4

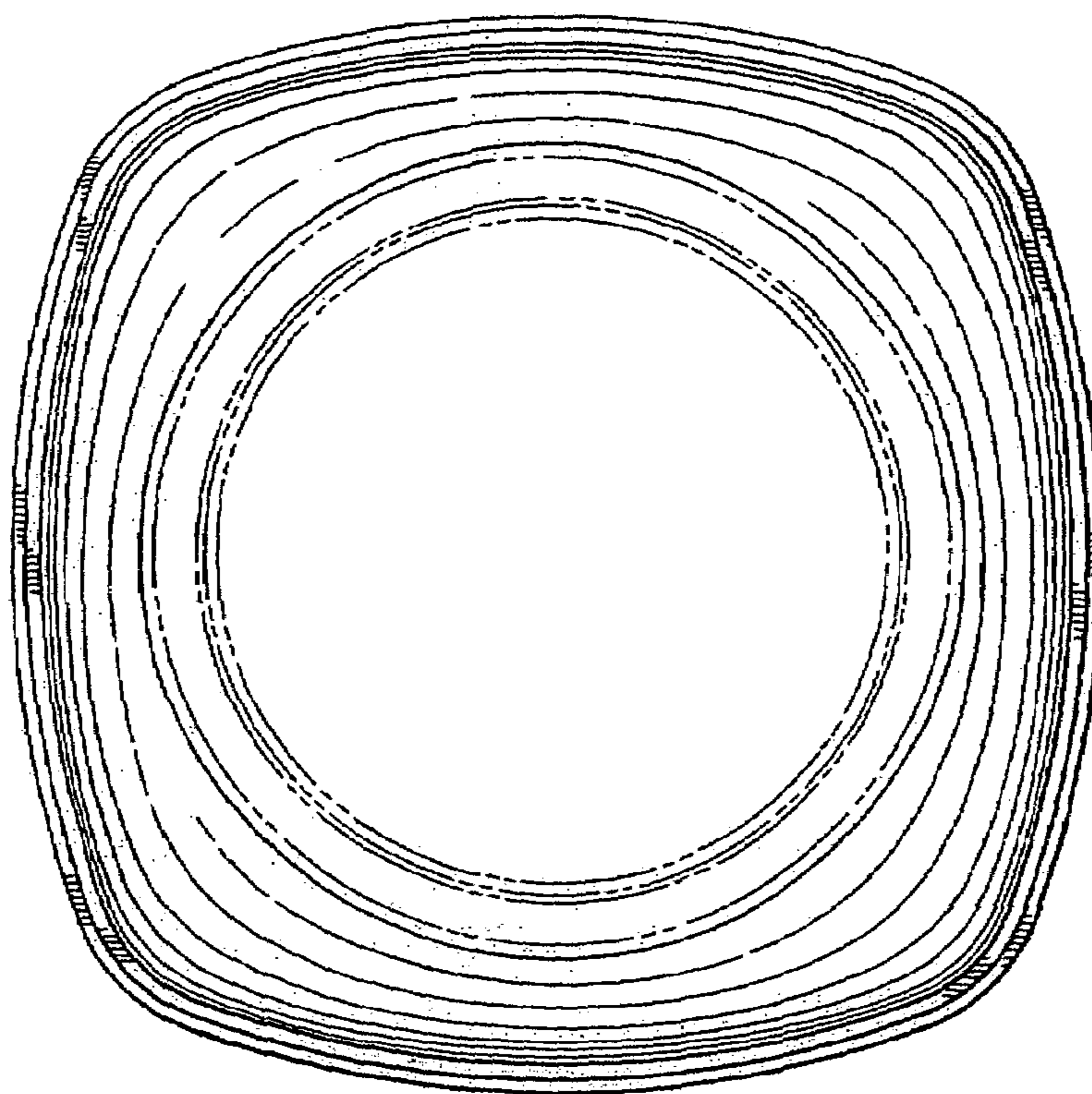


FIG. 5

