



US00D544754S

(12) **United States Design Patent**  
**Lion et al.**

(10) **Patent No.:** **US D544,754 S**

(45) **Date of Patent:** **\*\* Jun. 19, 2007**

(54) **DRESSING MAKER**

(75) Inventors: **Mathieu Lion**, Paris (FR); **Anne Tanguy**, Paris (FR); **Marc Simeray**, Paris (FR)

(73) Assignee: **Mastrad SA**, Paris (FR)

(\*\*) Term: **14 Years**

(21) Appl. No.: **29/248,623**

(22) Filed: **Aug. 24, 2006**

(51) **LOC (8) Cl.** ..... **07-06**

(52) **U.S. Cl.** ..... **D7/598**

(58) **Field of Classification Search** ..... D7/598,  
D7/316, 317, 321, 510, 511; 215/382-386,  
215/12.1, 11.1; 220/495.03, 4.03, 568  
See application file for complete search history.

(56) **References Cited**

**U.S. PATENT DOCUMENTS**

- 2,752,971 A \* 7/1956 Tupper ..... 220/4.03
- D233,116 S \* 10/1974 Swett ..... D7/321
- D262,855 S \* 2/1982 Morin ..... D7/598
- D300,107 S \* 3/1989 Trombly ..... D7/317

- D328,010 S \* 7/1992 Daenen et al. .... D7/591
- D399,098 S \* 10/1998 Yang ..... D7/598
- D421,547 S \* 3/2000 Demers ..... D7/510
- D511,940 S \* 11/2005 Kim ..... D7/598

\* cited by examiner

*Primary Examiner*—Terry A. Wallace

(74) *Attorney, Agent, or Firm*—Mark Montague; Cowan, Liebowitz & Latman, P.C.

(57) **CLAIM**

The ornamental design for a dressing maker, as shown and described.

**DESCRIPTION**

FIG. 1 is a perspective view of the multi purpose dressing maker of the present invention;

FIG. 2 is a front elevational view thereof;

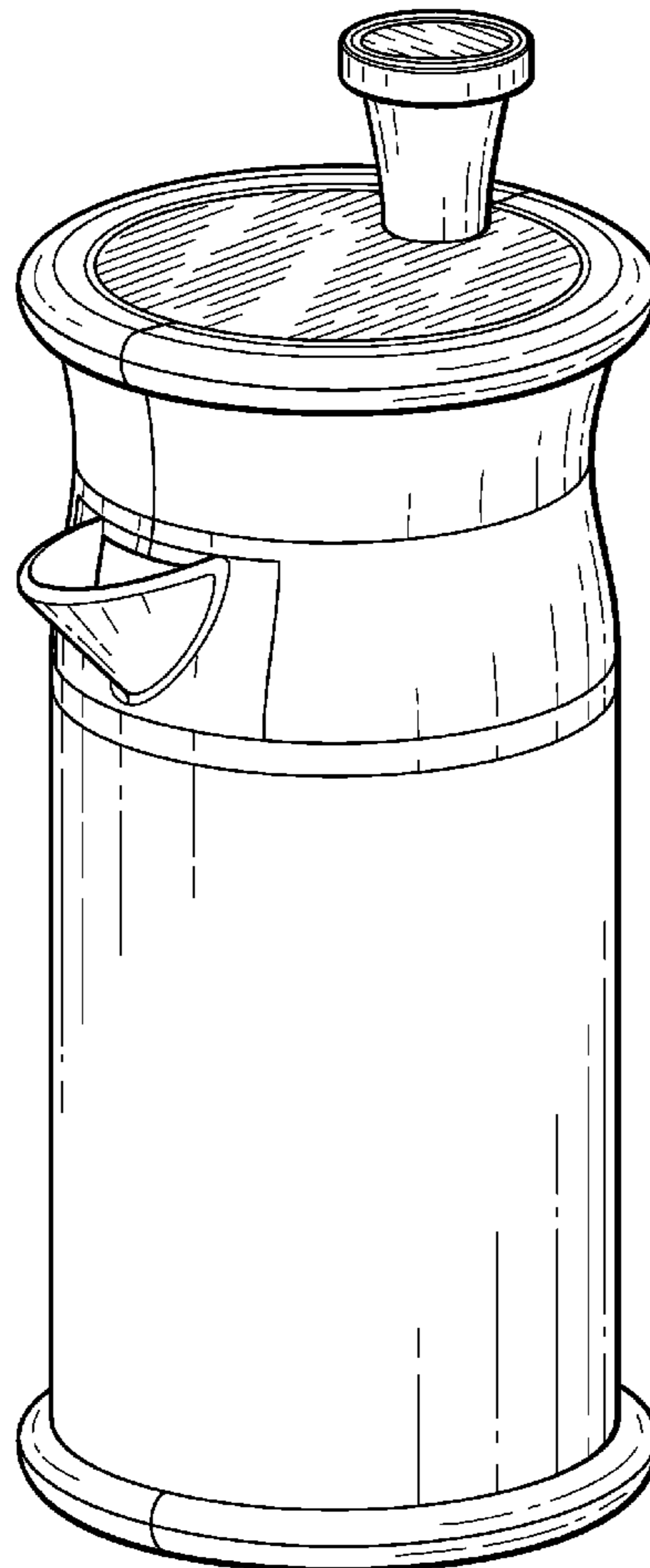
FIG. 3 is a rear elevational view thereof;

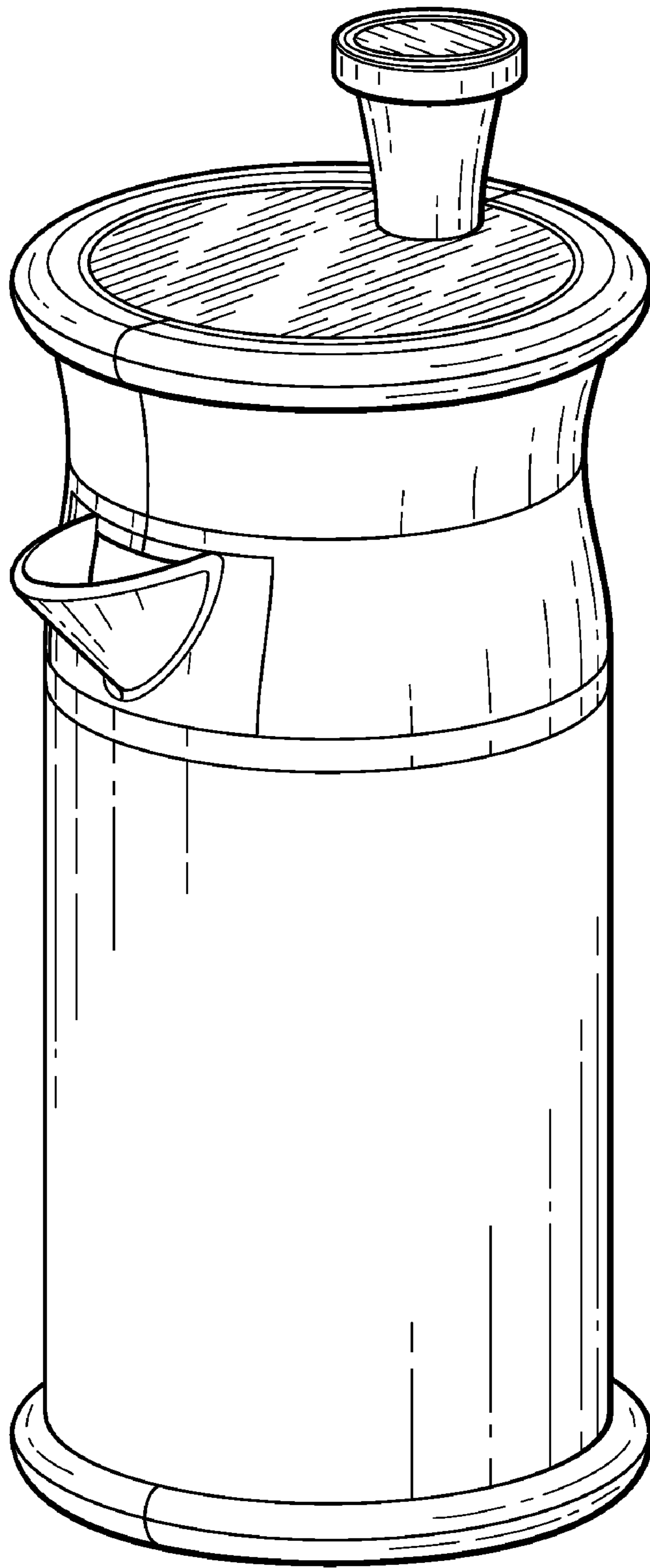
FIG. 4 is a side elevational view thereof;

FIG. 5 is a top plan view thereof; and,

FIG. 6 is a bottom plan view thereof.

**1 Claim, 3 Drawing Sheets**





*FIG. 1*

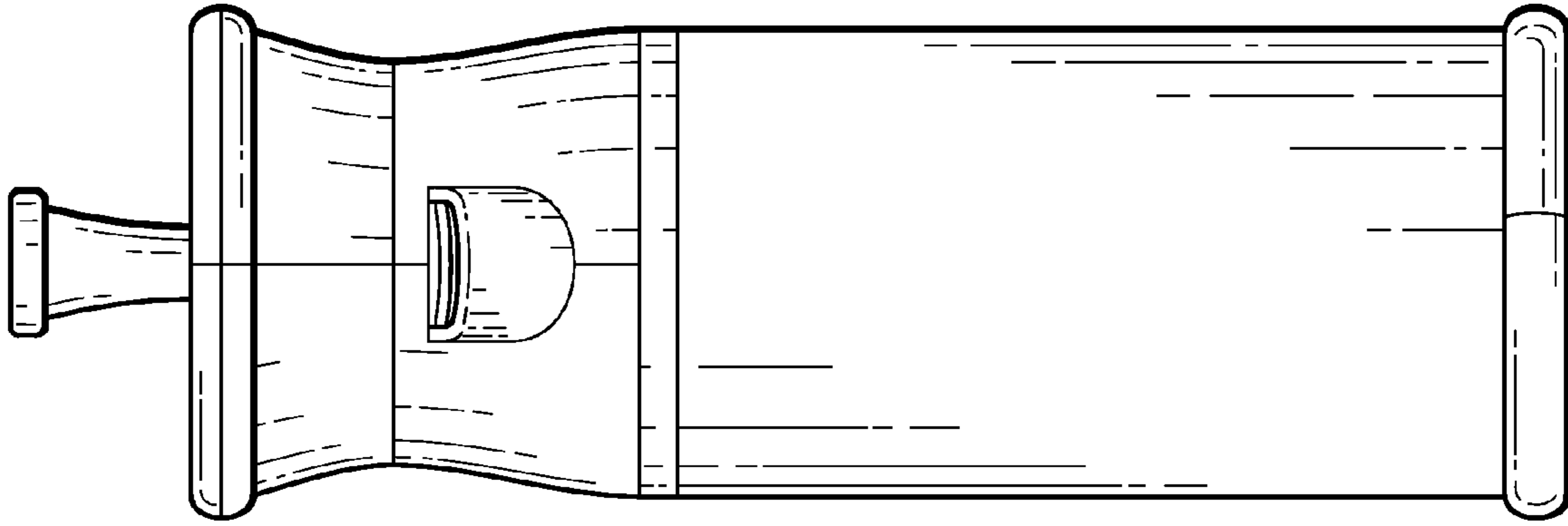


FIG. 2

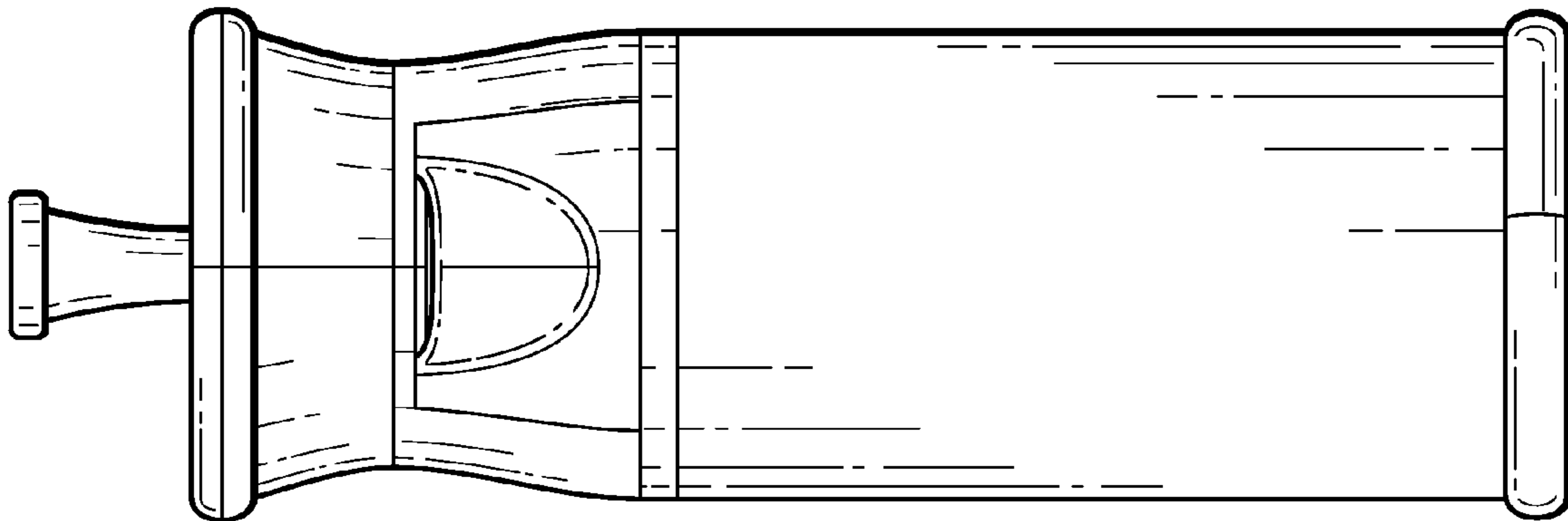


FIG. 3

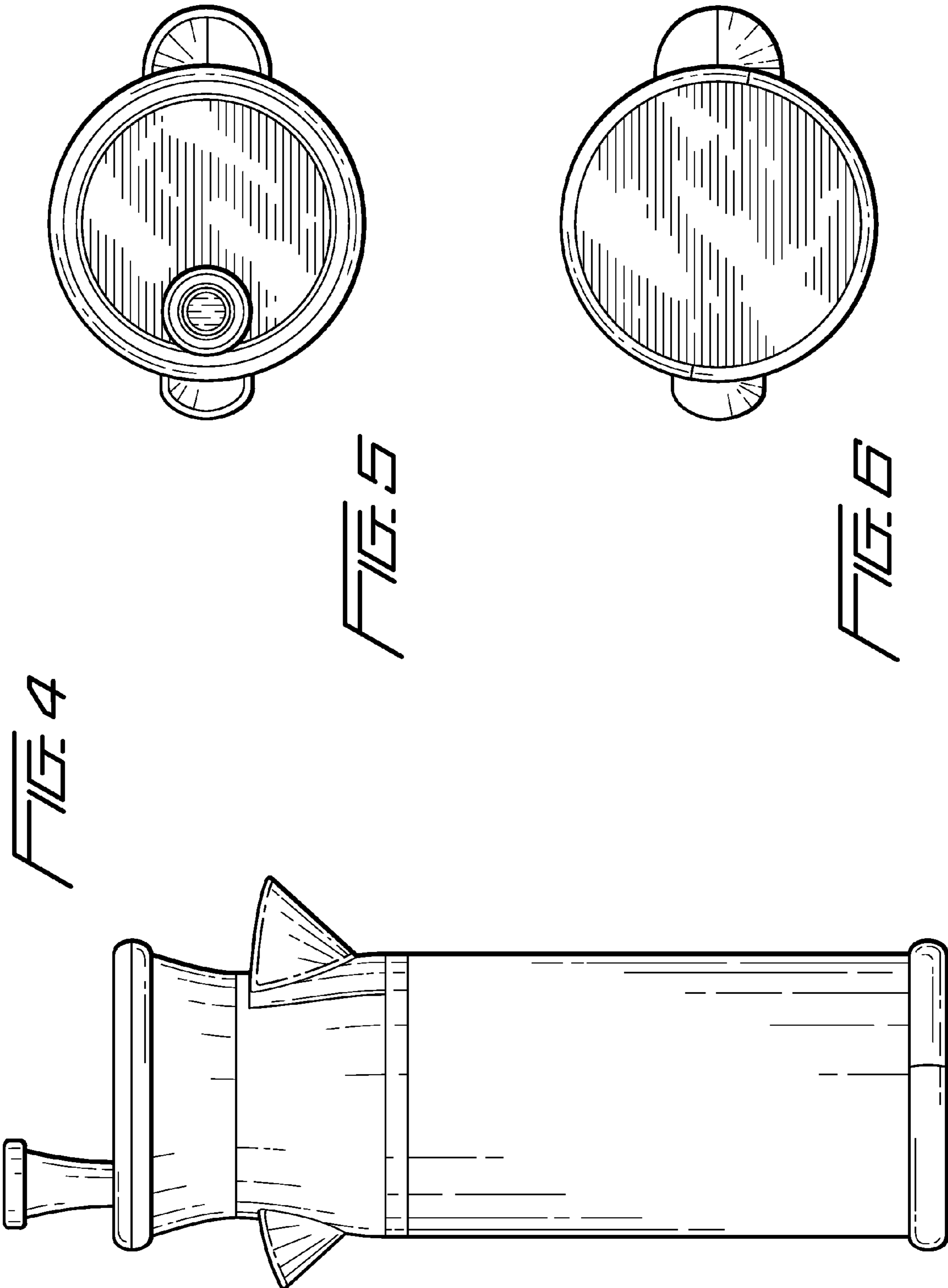


FIG. 4

FIG. 5

FIG. 6