



US00D544753S

(12) **United States Design Patent**
Tseng

(10) **Patent No.:** **US D544,753 S**

(45) **Date of Patent:** **** Jun. 19, 2007**

(54) **BURNER**

(75) Inventor: **Jackie Tseng**, Chiayi Hsien (TW)

(73) Assignee: **Sing Chen International Co., Ltd.**,
Chiayi Hsien (TW)

(**) Term: **14 Years**

(21) Appl. No.: **29/247,382**

(22) Filed: **Jun. 14, 2006**

(51) **LOC (8) Cl.** **07-02**

(52) **U.S. Cl.** **D7/407**

(58) **Field of Classification Search** D7/136,
D7/402, 407; D23/129, 386, 415, 418; 126/39 E,
126/39 J, 39 R, 25 R; 431/264, 266, 354;
239/533.3

See application file for complete search history.

(56) **References Cited**

U.S. PATENT DOCUMENTS

- 4,478,205 A * 10/1984 Koziol 126/25 R
- 4,485,972 A * 12/1984 Freber 239/553.3
- D368,829 S * 4/1996 Giebel et al. D7/407
- 5,711,663 A * 1/1998 Giebel et al. 431/354
- D439,801 S * 4/2001 Measom D7/407

- D468,963 S * 1/2003 Pai D7/407
- D470,721 S * 2/2003 Home D7/407
- D524,105 S * 7/2006 Poltronieri D7/407
- D534,767 S * 1/2007 Tseng D7/407

* cited by examiner

Primary Examiner—Louis Zarfaz

Assistant Examiner—Mark Cavanna

(74) *Attorney, Agent, or Firm*—Marger Johnson &
McCollow, PC

(57) **CLAIM**

The ornamental design for burner, as shown and described.

DESCRIPTION

FIG. 1 is a perspective view of burner showing my new design;

FIG. 2 is a front elevational view thereof;

FIG. 3 is a rear elevational view thereof;

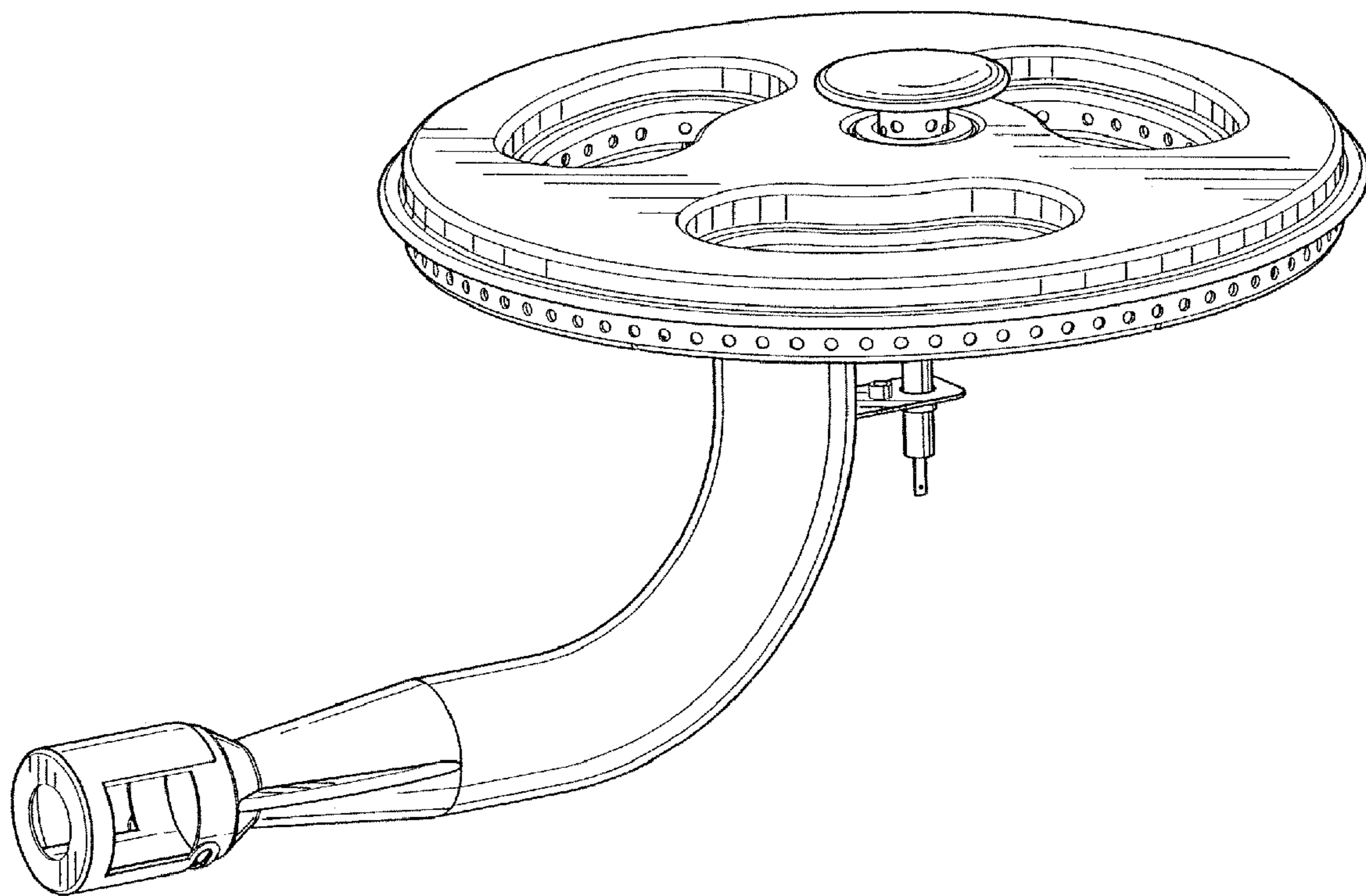
FIG. 4 is a left side elevational view thereof;

FIG. 5 is a right side elevational view thereof;

FIG. 6 is a top plan view thereof; and,

FIG. 7 is a bottom plan view thereof.

1 Claim, 7 Drawing Sheets



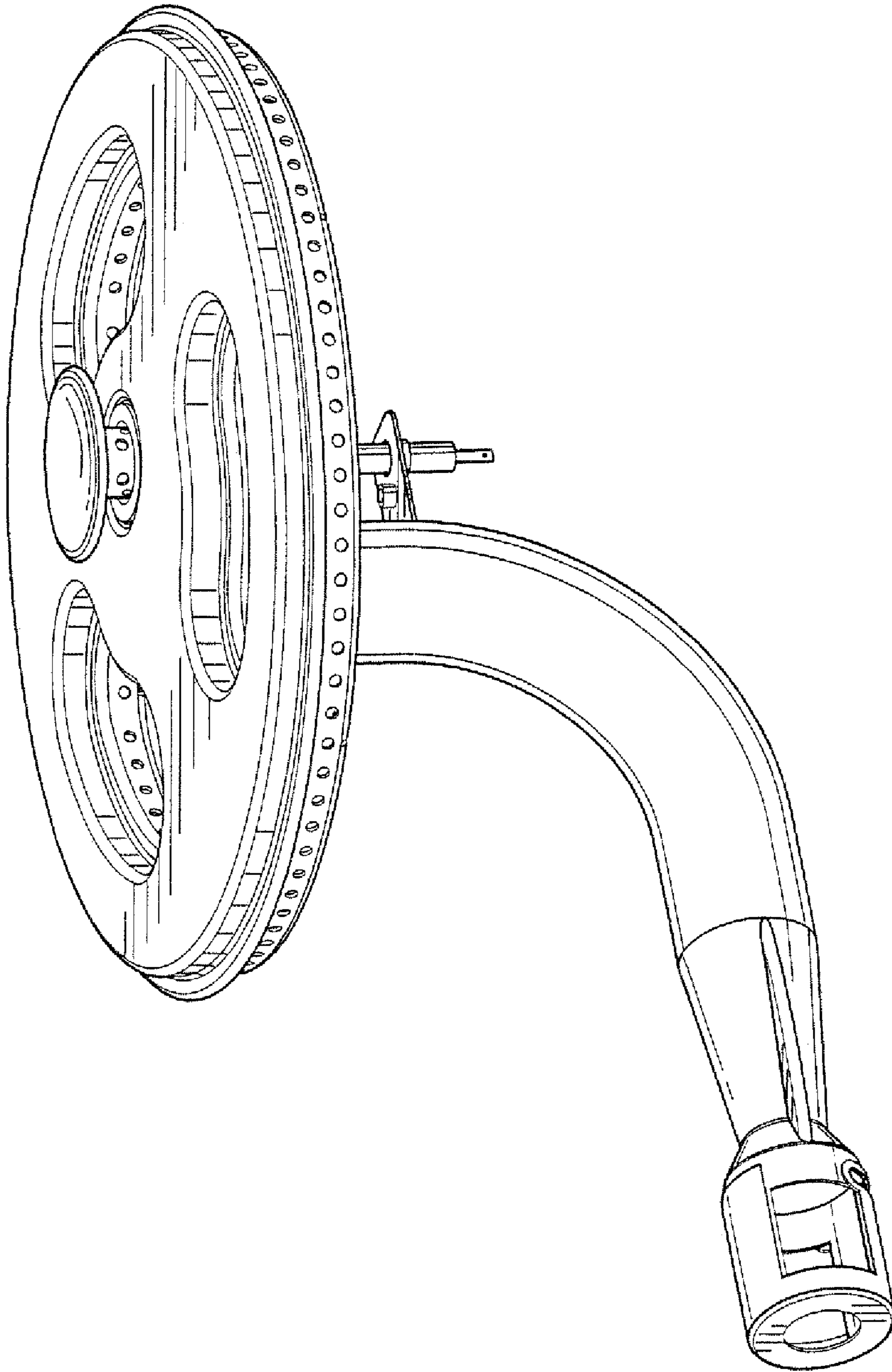


FIG. 1

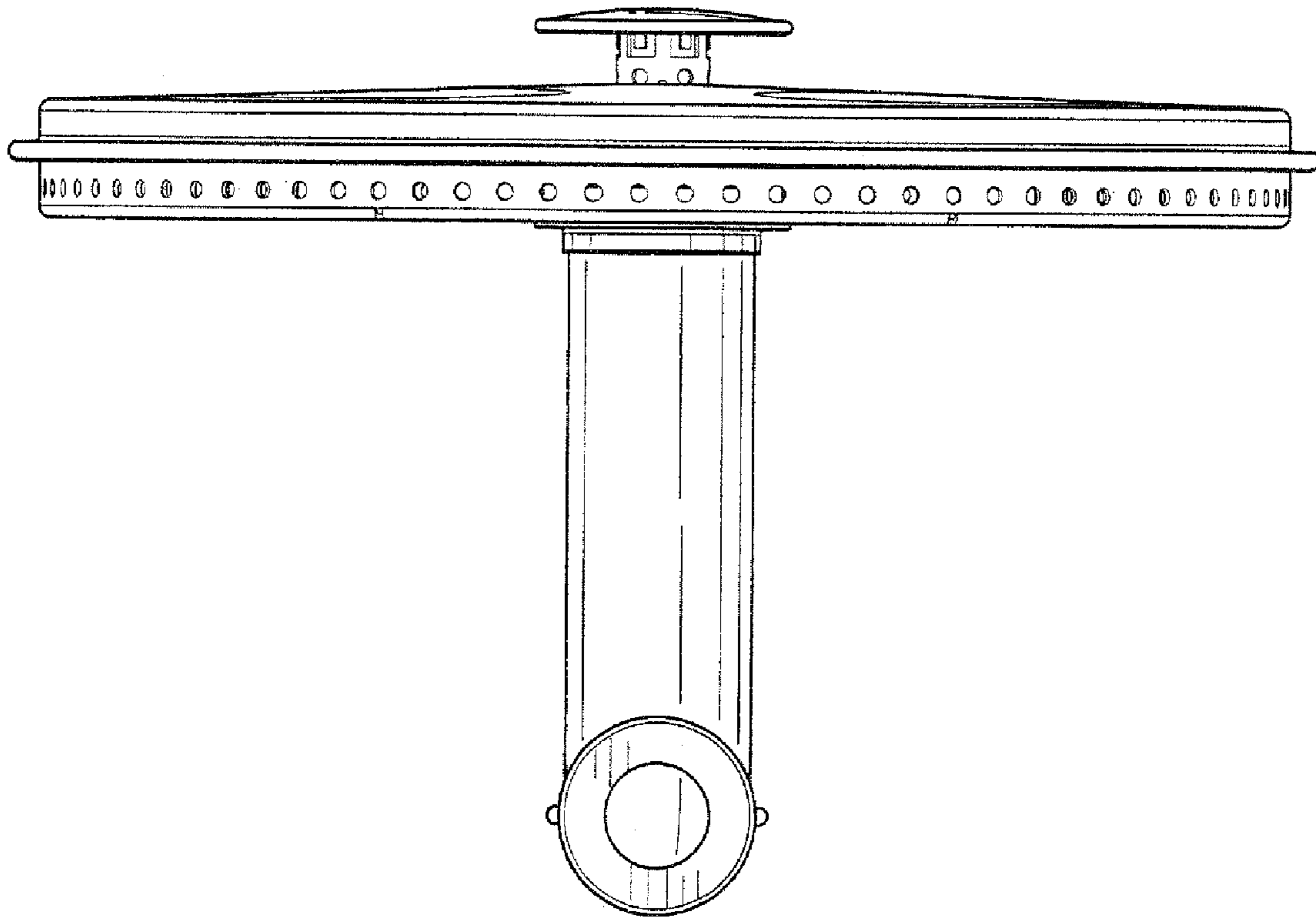


FIG. 2

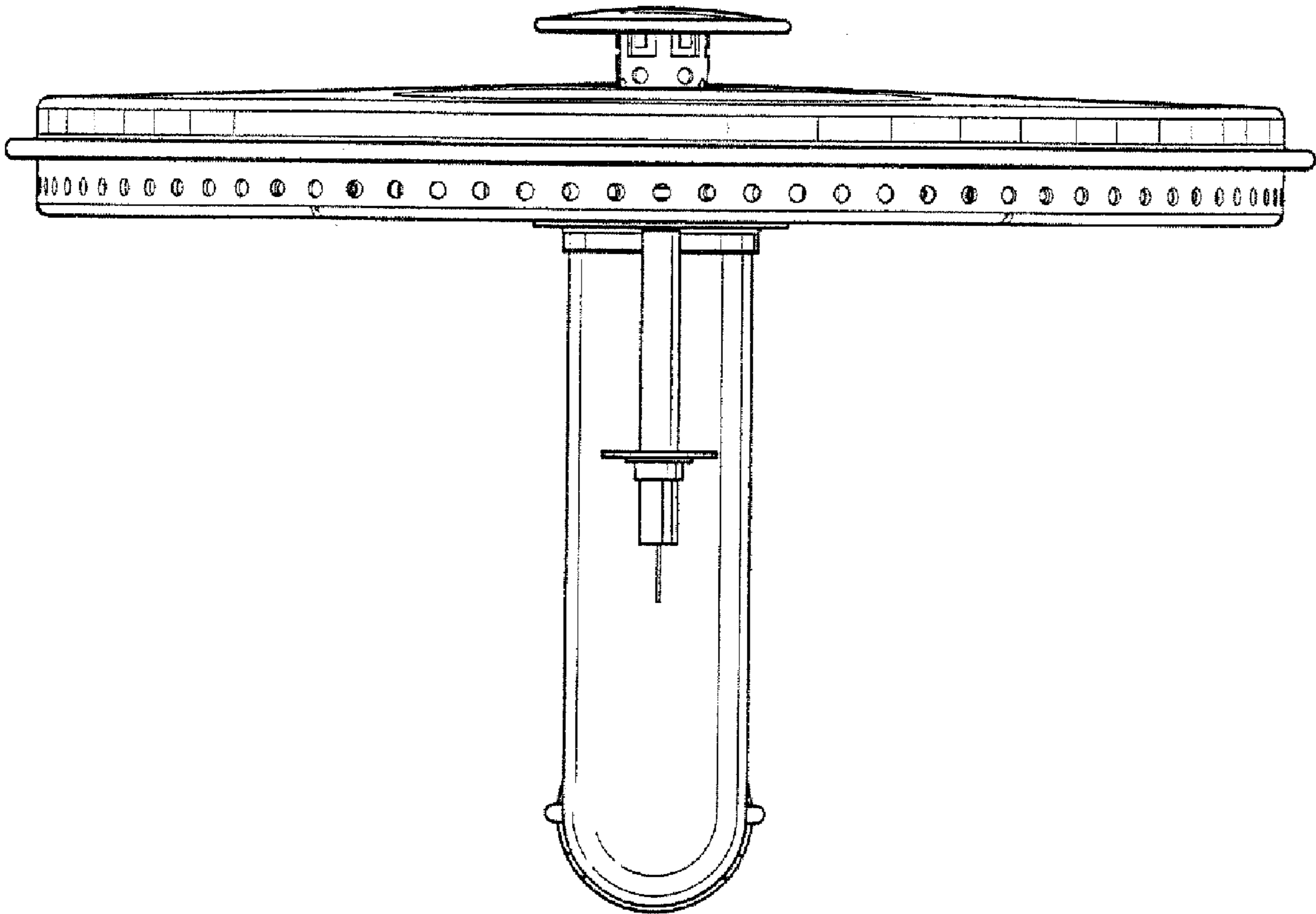


FIG. 3

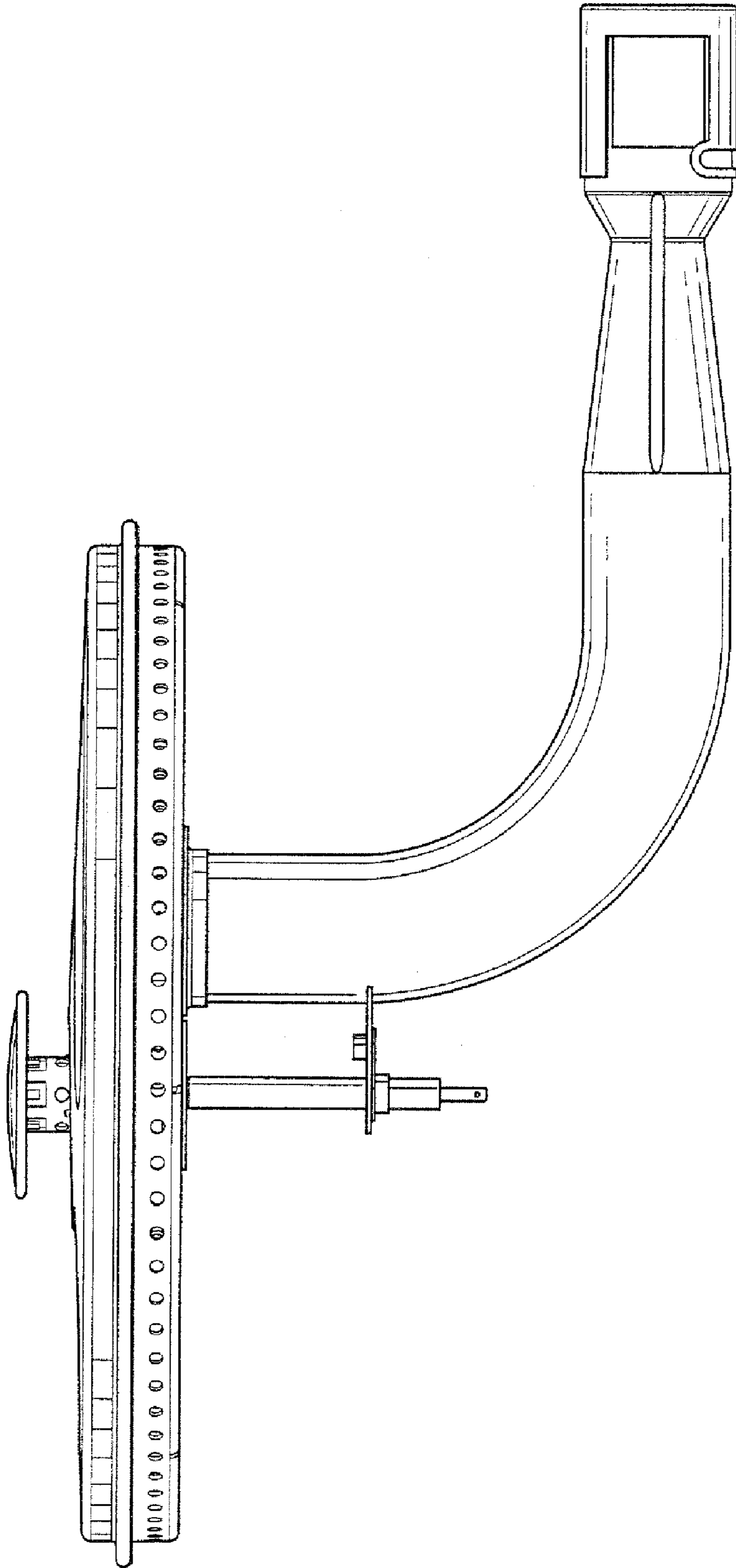


FIG. 4

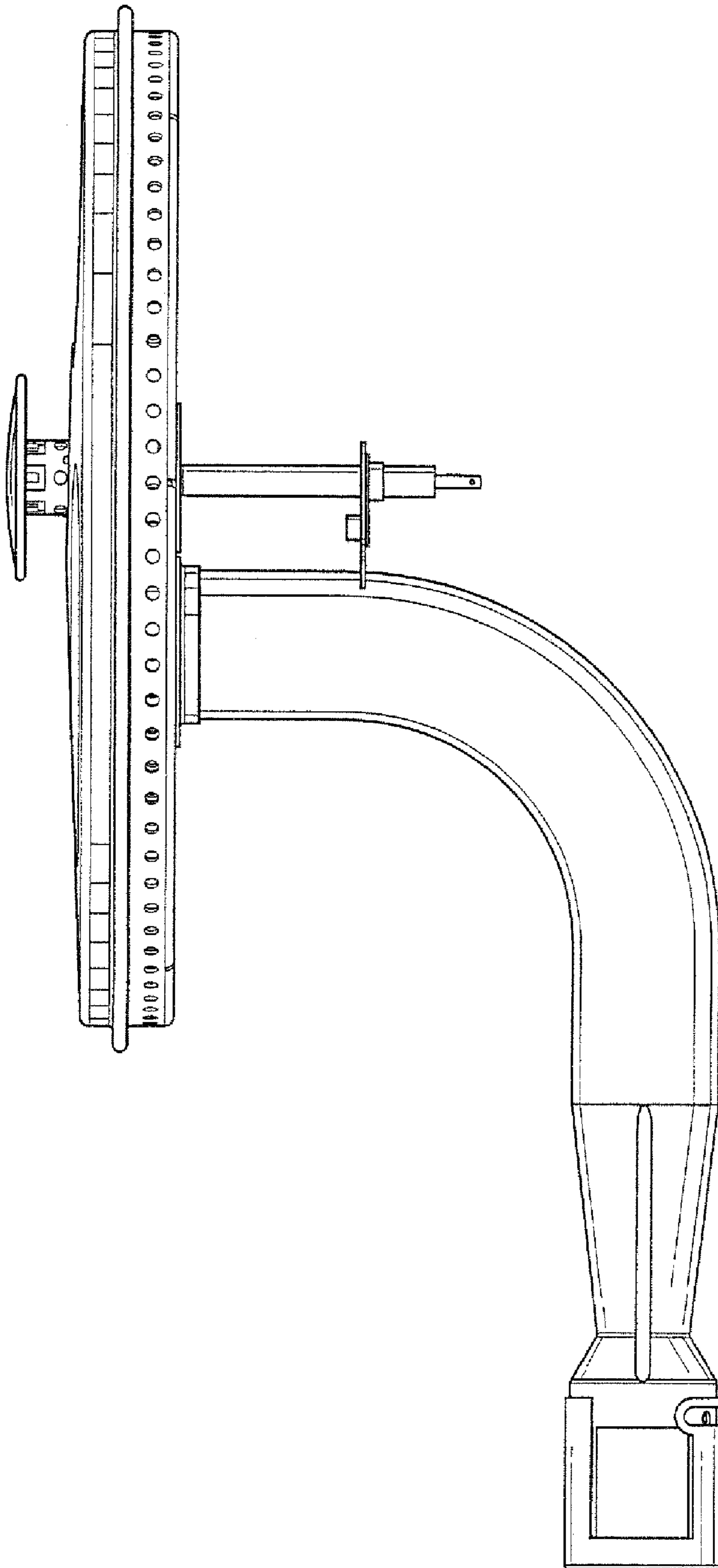


FIG. 5

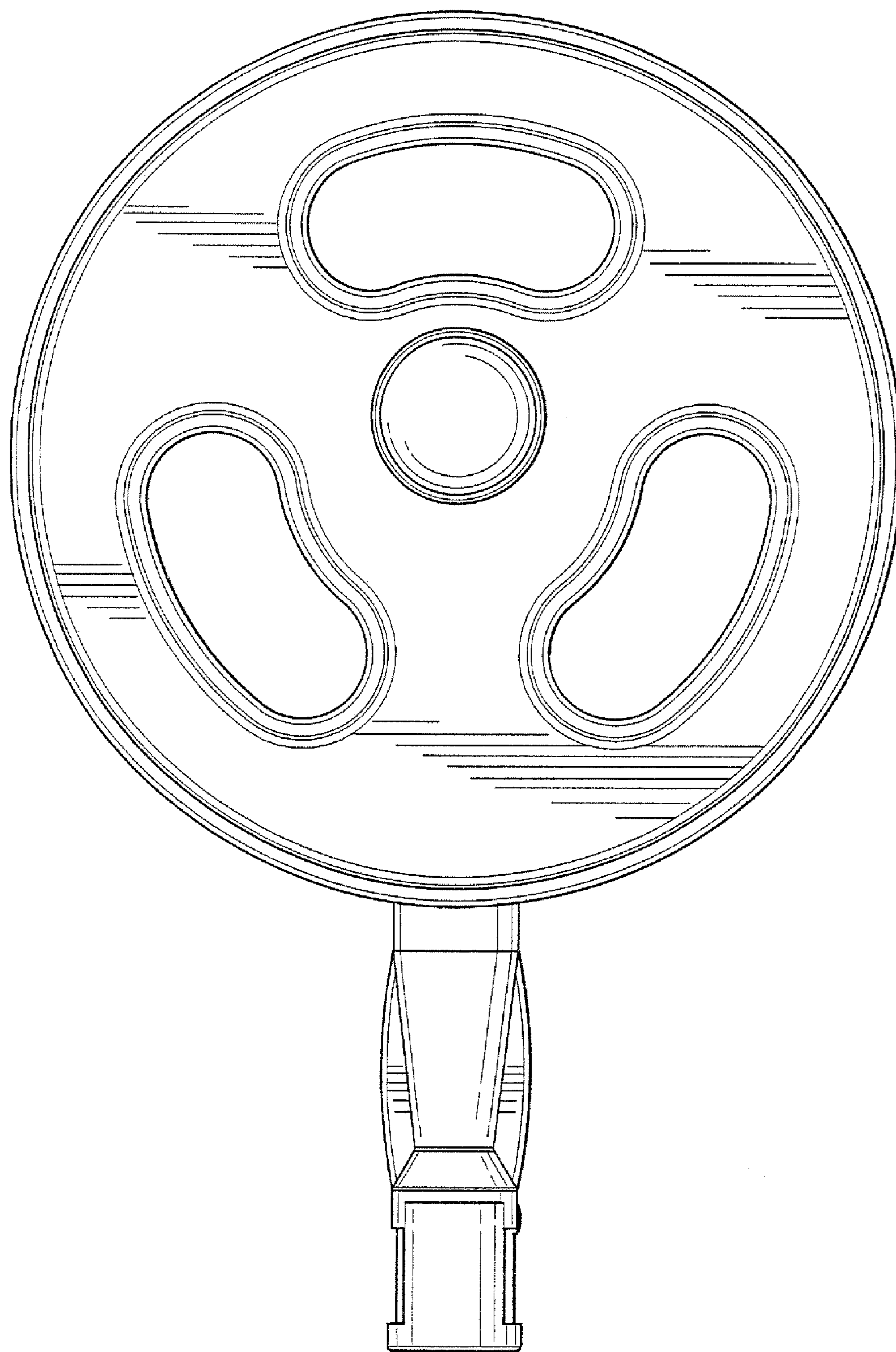


FIG. 6

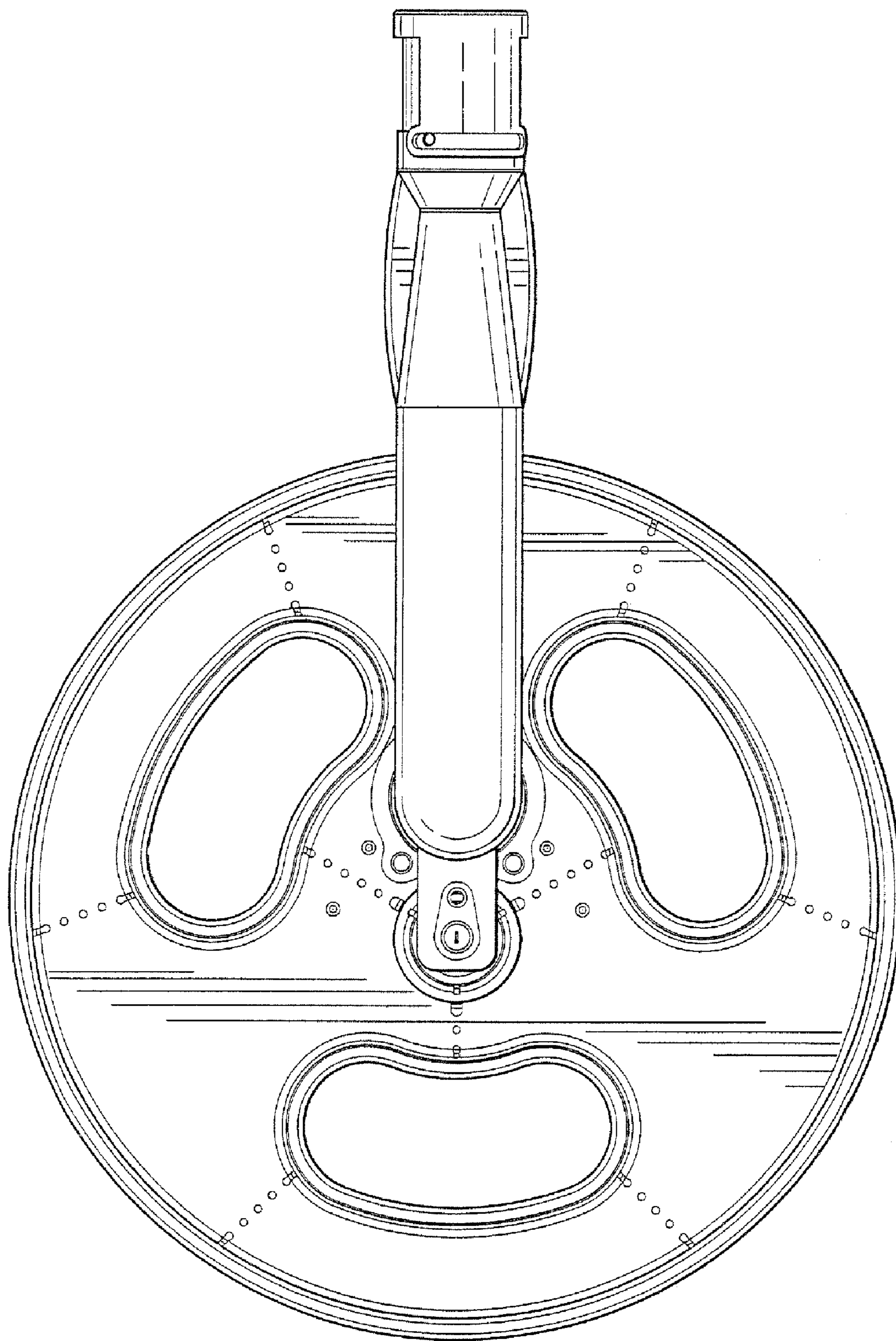


FIG. 7