



US00D544751S

(12) **United States Design Patent**
Henderson

(10) **Patent No.:** **US D544,751 S**
(45) **Date of Patent:** **** Jun. 19, 2007**

(54) **TEA KETTLE HANDLE AND SPOUT COVER**

(75) Inventor: **Scott A. Henderson**, Brooklyn, NY
(US)

(73) Assignee: **Lentrade, Inc.**, Houston, TX (US)

(**) Term: **14 Years**

(21) Appl. No.: **29/235,767**

(22) Filed: **Aug. 5, 2005**

(51) **LOC (8) Cl.** **07-01**

(52) **U.S. Cl.** **D7/397; D7/321; D7/322**

(58) **Field of Classification Search** D7/300,
D7/301.303, 305-312, 314, 316-319, 321,
D7/322, 324, 342, 387, 399, 391-394, 397,
D7/506, 514-521, 532, 550.1, 551.1, 589,
D7/553.2, 592, 596, 599, 624.1-624.2, 705,
D7/213; 99/275, 323.3, 341, 348, 359, 425,
99/450, 467, 468; 140/370; 211/74-77;
222/129.1-129.4, 469, 472, 566, 752, 737-743;
248/309.1-316.8; 311/300; D20/1-9; D21/369,
D21/385; D23/201; D34/39

See application file for complete search history.

(56) **References Cited**

U.S. PATENT DOCUMENTS

D261,087 S	10/1981	Myodo	
D277,253 S	1/1985	Lax	
D352,419 S	11/1994	Lin	
D380,337 S	* 7/1997	Lien D7/322
D389,370 S	1/1998	Lee	
6,006,959 A	* 12/1999	Naden et al. 222/469
D442,015 S	5/2001	Doret	
D444,337 S	7/2001	Ryan	
D445,294 S	7/2001	Ryan	

D460,654 S	7/2002	Thurlow	
D478,243 S	* 8/2003	Lebowitz D7/322
D478,768 S	8/2003	Belton	
D502,838 S	* 3/2005	Ancona D7/321
D504,273 S	4/2005	Ancona	
D511,648 S	11/2005	Henderson	

OTHER PUBLICATIONS

http://www.rushgideon.com/tear-drop-handled-tea-kettle_p_267_7082_11.cfm?skunumber=170%2dD4156 Copyright 2007 RushGideon.*

* cited by examiner

Primary Examiner—Philip S. Hyder

Assistant Examiner—Cynthia Underwod

(74) *Attorney, Agent, or Firm*—Patrick K. Steele; Streets & Steele

(57) **CLAIM**

The ornamental design for tea kettle handle and spout cover, as shown and described.

DESCRIPTION

FIG. 1 is a front perspective view of tea kettle handle and spout cover, showing my new design;

FIG. 2 is a front elevational view thereof;

FIG. 3 is a rear elevational view thereof;

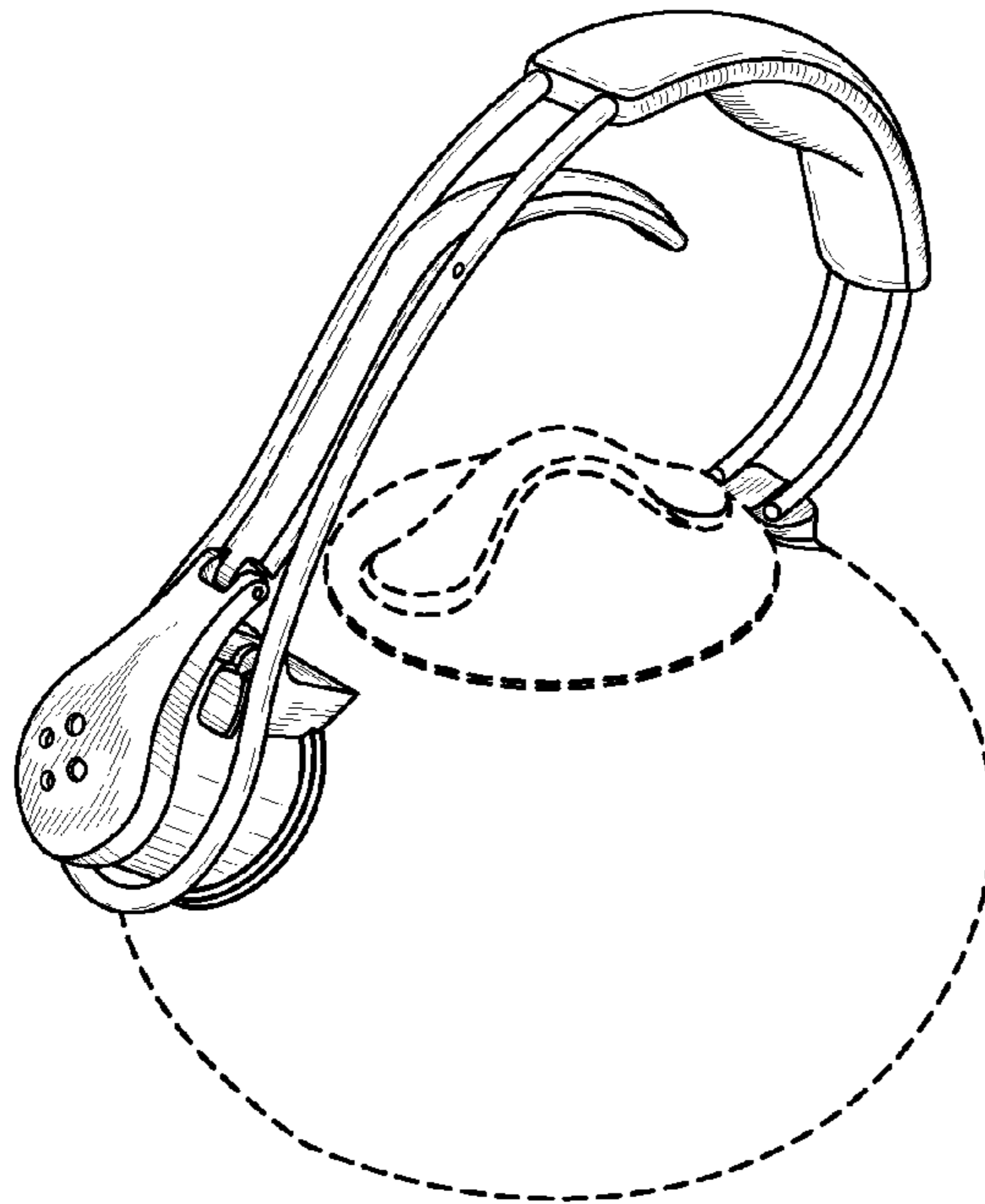
FIG. 4 is a side elevational view thereof, the opposite side of which is an identical mirror image;

FIG. 5 is a top plan view thereof; and,

FIG. 6 is a bottom plan view thereof.

The dotted lines shown in the drawings are environmental only and form no part of the claimed design.

1 Claim, 3 Drawing Sheets



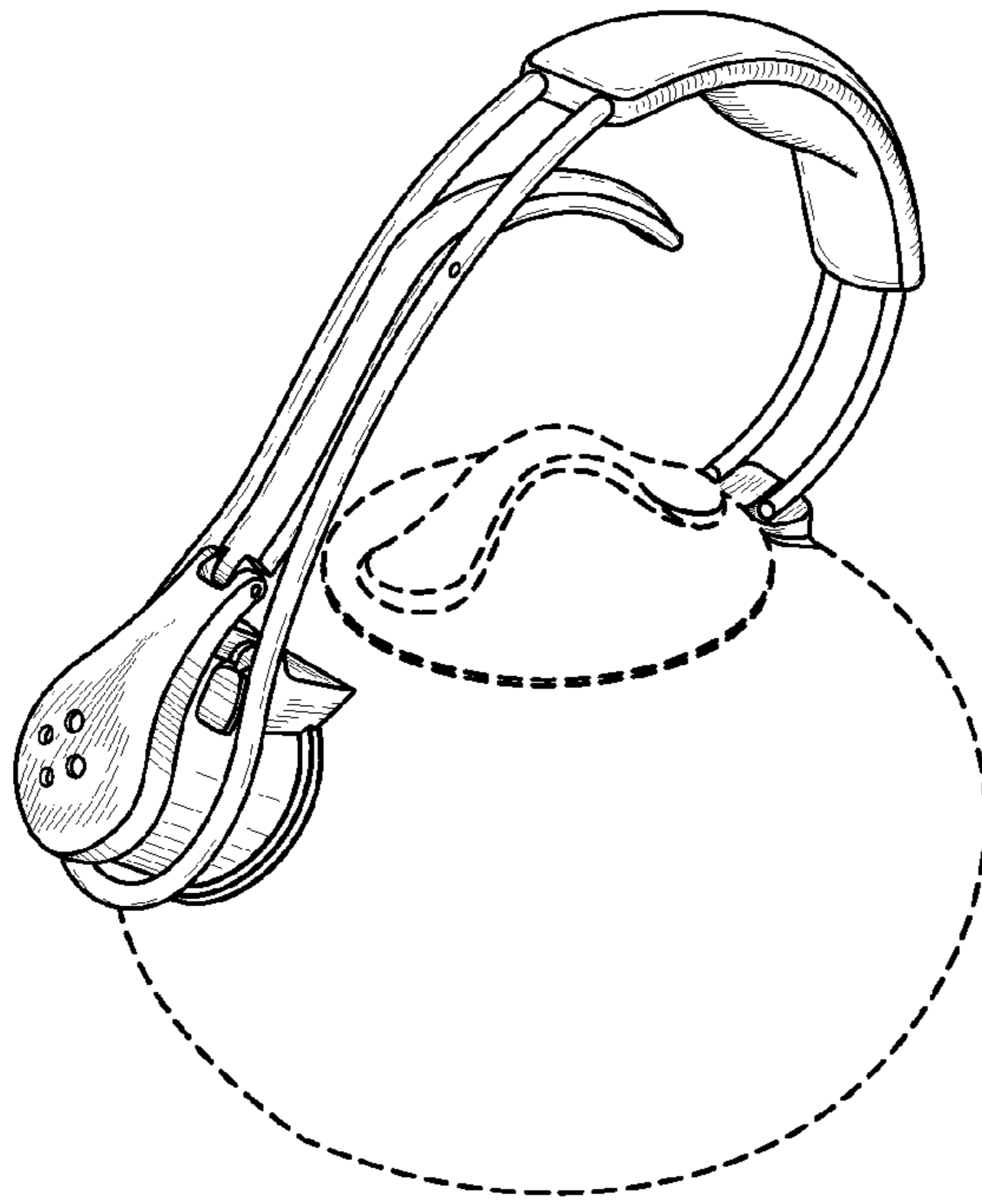


FIG. 1

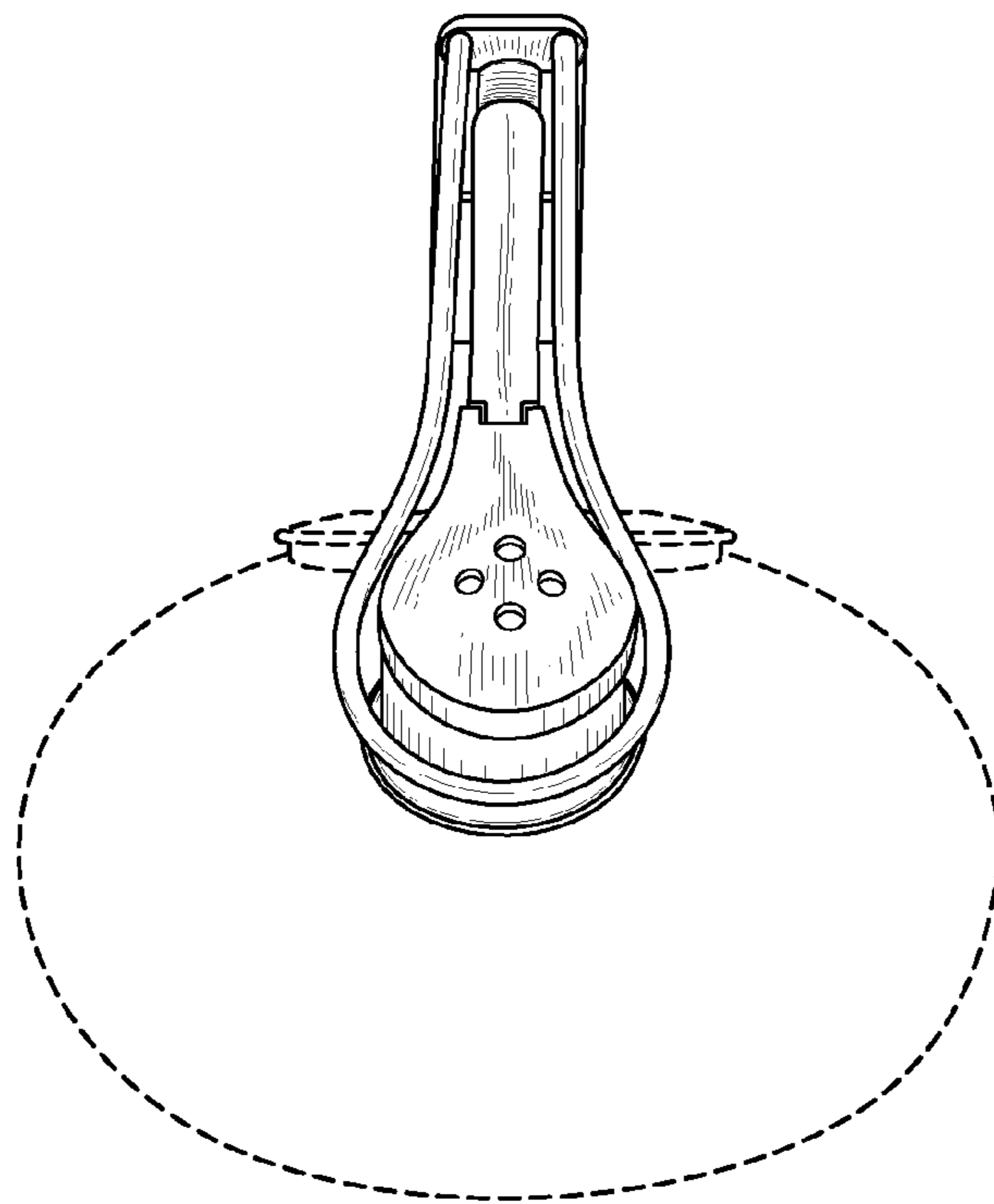


FIG. 2

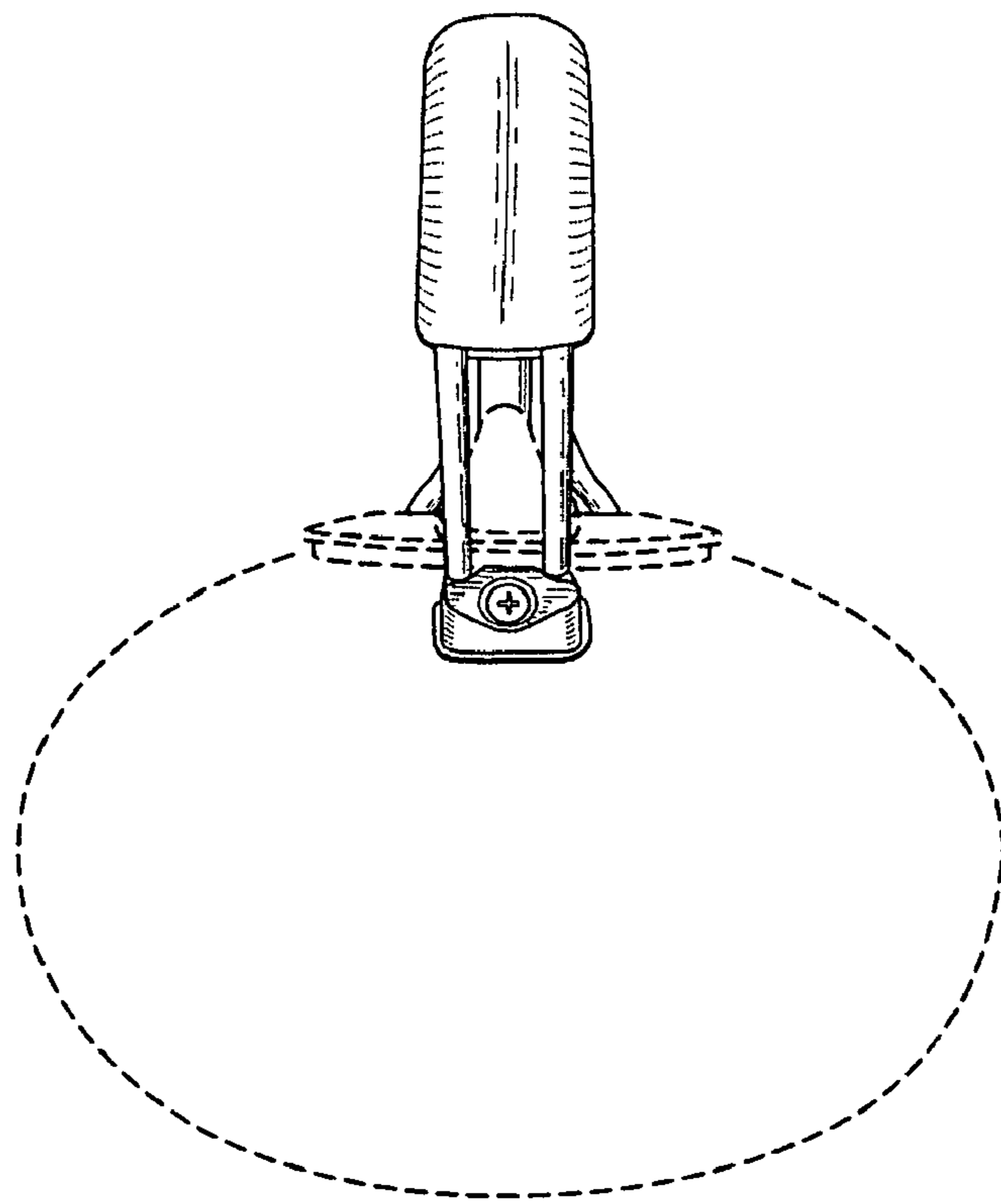


FIG. 3

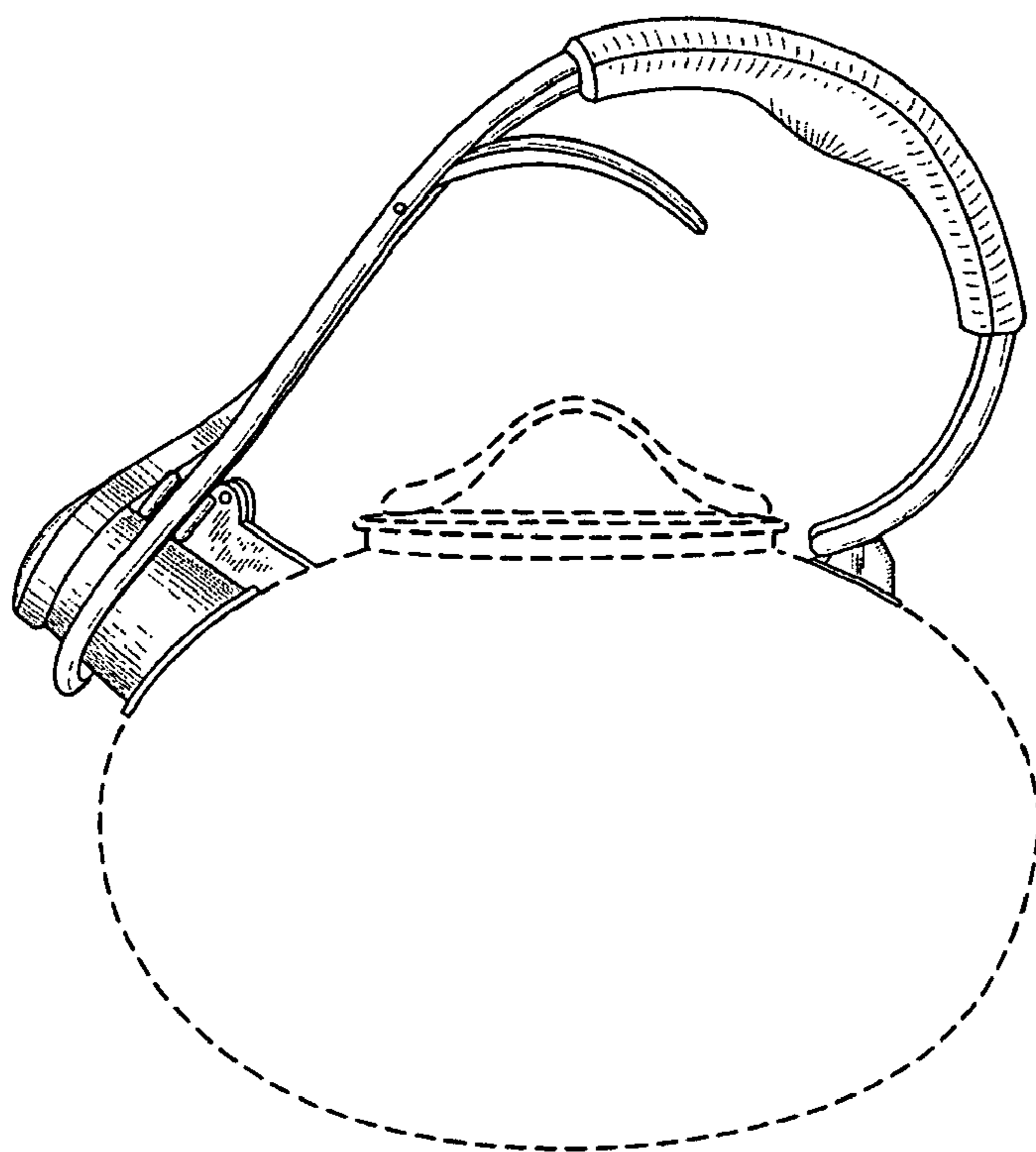


FIG. 4

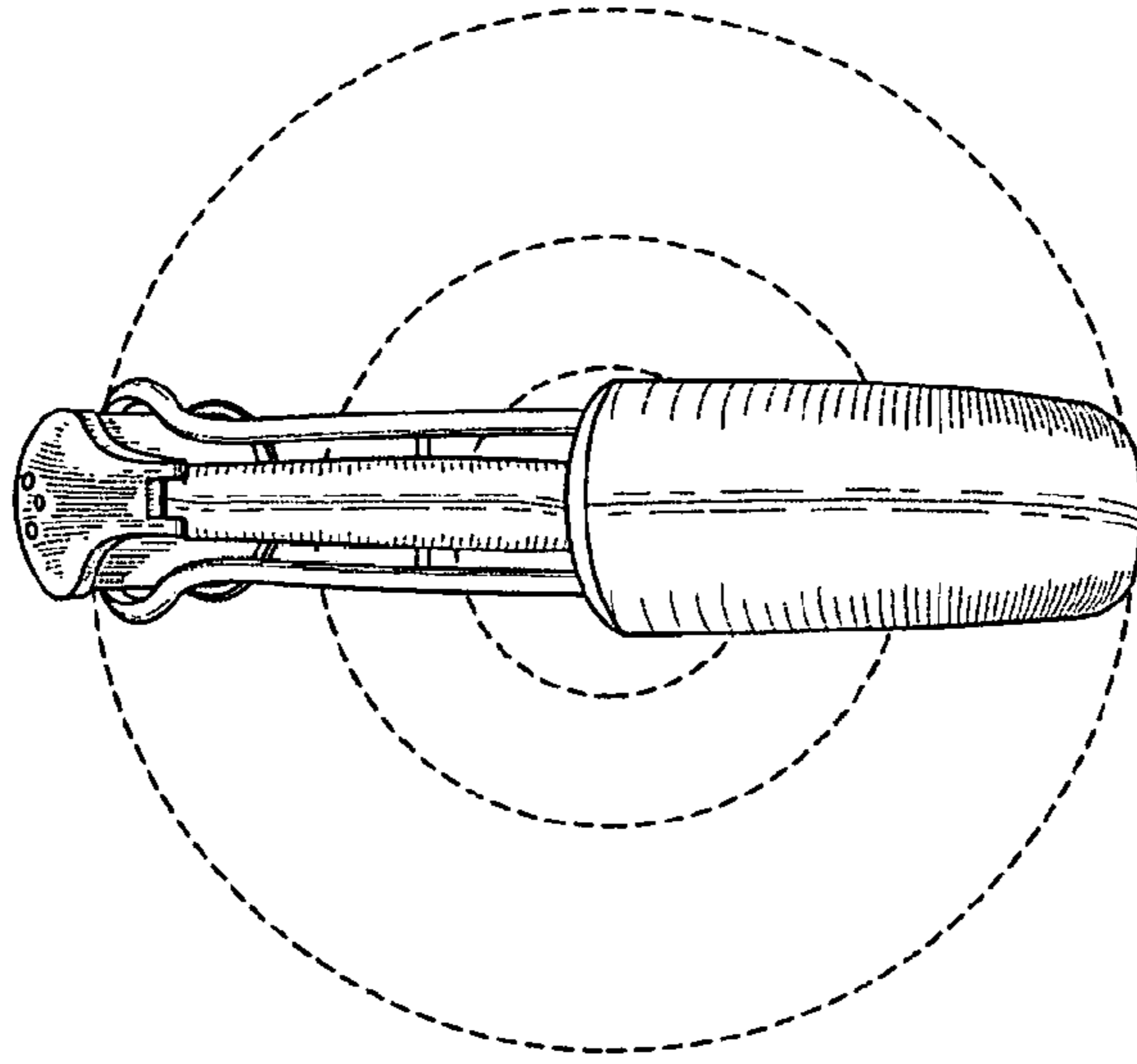


FIG. 5

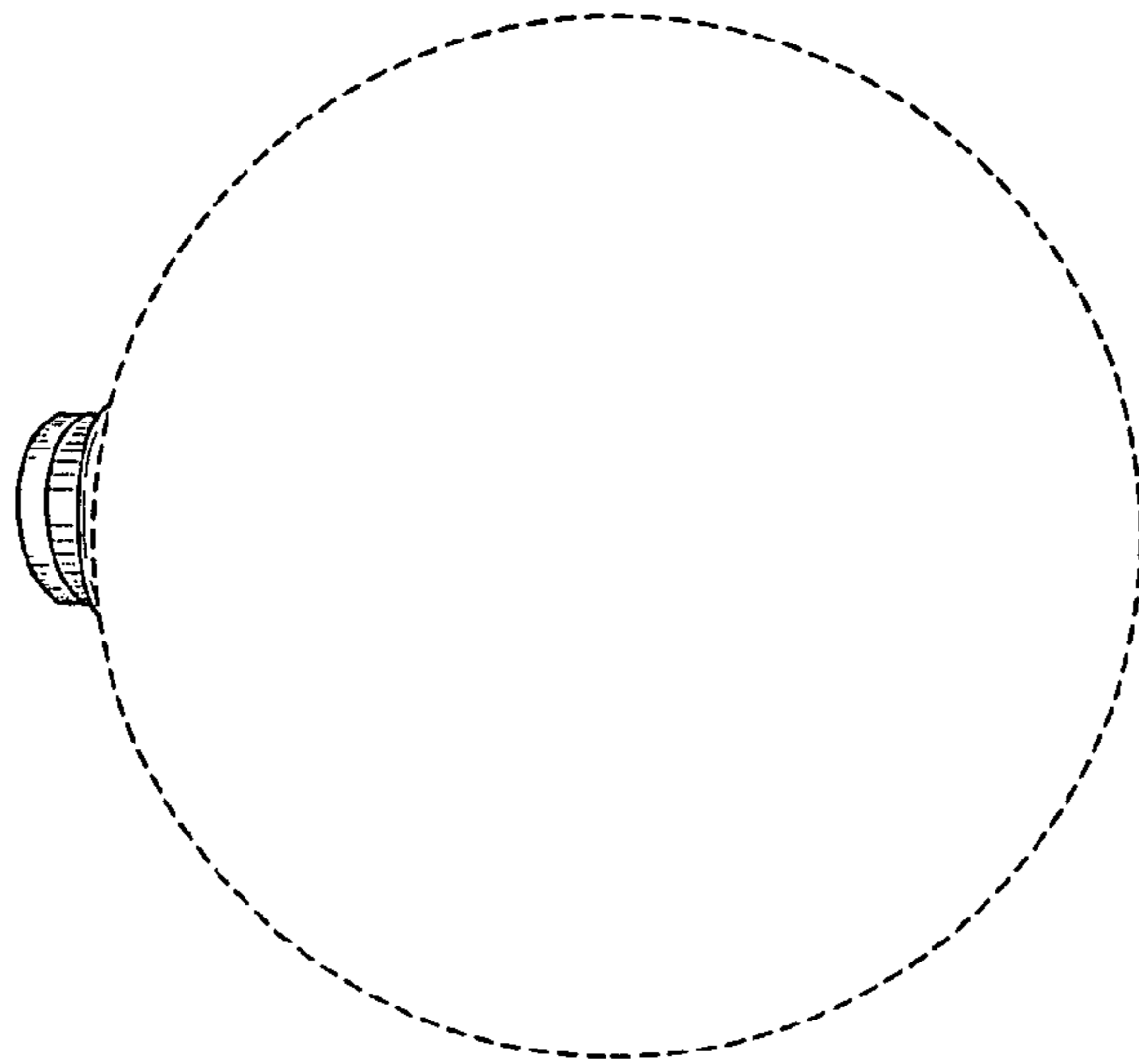


FIG. 6