

US00D544748S

(12) **United States Design Patent**  
**Johansson**

(10) **Patent No.:** **US D544,748 S**

(45) **Date of Patent:** **\*\* Jun. 19, 2007**

(54) **PAN STAND**

(75) Inventor: **Leif Johansson**, Alingsås (SE)

(73) Assignee: **3P projekt AB**, Alingsås (SE)

(\*\*) Term: **14 Years**

(21) Appl. No.: **29/253,555**

(22) Filed: **Feb. 9, 2006**

(30) **Foreign Application Priority Data**

Oct. 31, 2005 (EM) ..... 000425079-0001

(51) **LOC (8) Cl.** ..... **07-01**

(52) **U.S. Cl.** ..... **D7/388; D7/387**

(58) **Field of Classification Search** ..... D7/362,  
D7/366, 367, 387, 388, 396.1, 402, 403, 409,  
D7/505, 543, 601, 602, 620, 624.1; D9/428;  
D16/244; D23/214, 388; D21/694, 691,  
D21/686, 689, 690; 248/126, 127, 317, 318,  
248/346.01-346.03, 150, 152; D6/300, 309,  
D6/329, 403, 512, 513; 219/732; 99/450;  
D8/374

See application file for complete search history.

(56) **References Cited**

**U.S. PATENT DOCUMENTS**

1,242,202 A \* 10/1917 Keller ..... 446/113  
3,279,730 A \* 10/1966 Holmes ..... 248/346.03  
3,526,380 A \* 9/1970 Tong ..... 248/528

D238,409 S \* 1/1976 Kienlen et al. .... D7/388  
3,967,803 A \* 7/1976 Kienlen et al. .... 248/152  
D386,666 S \* 11/1997 Hodges ..... D8/349  
D506,219 S \* 6/2005 Eason ..... D16/244

\* cited by examiner

*Primary Examiner*—Philip S. Hyder

*Assistant Examiner*—Cynthia Underwood

(74) *Attorney, Agent, or Firm*—Albihns Stockholm AB

(57) **CLAIM**

The ornamental design for a pan stand, as shown and described.

**DESCRIPTION**

FIG. 1 is a front view of a pan stand in a closed position according to my new design,

FIG. 2 is a right side plan view thereof, the left side being a mirror image of the right side;

FIG. 3 is a rear plan view thereof,

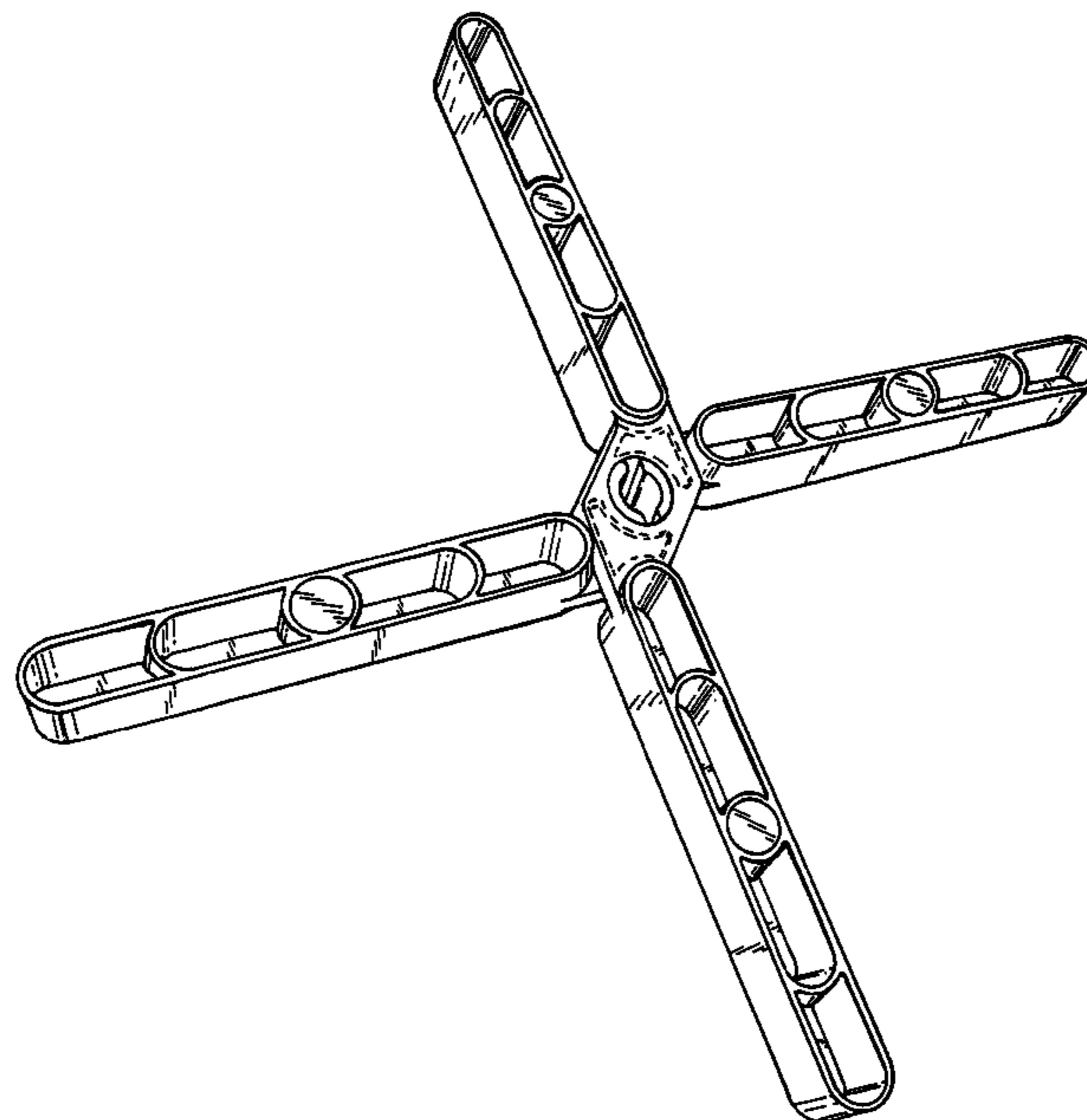
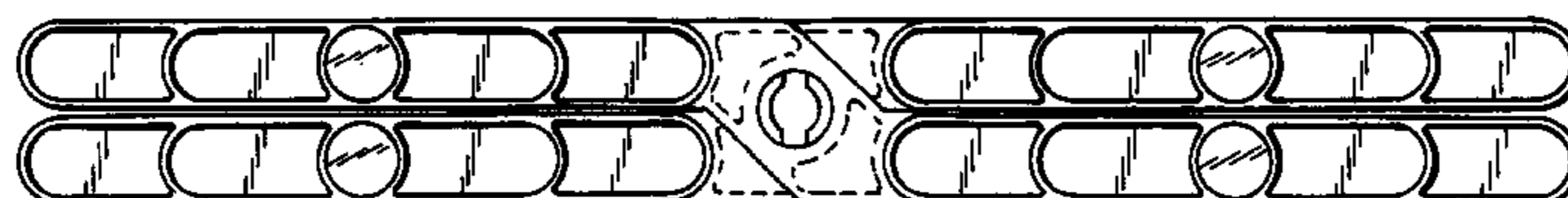
FIG. 4 is a top plan view thereof, the bottom view being a mirror image of the top;

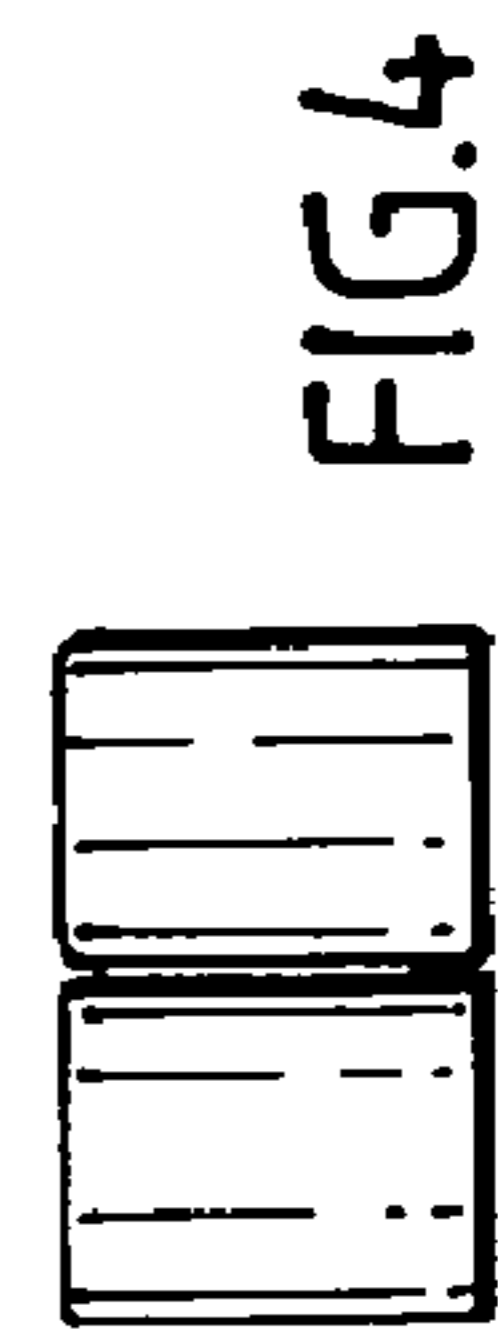
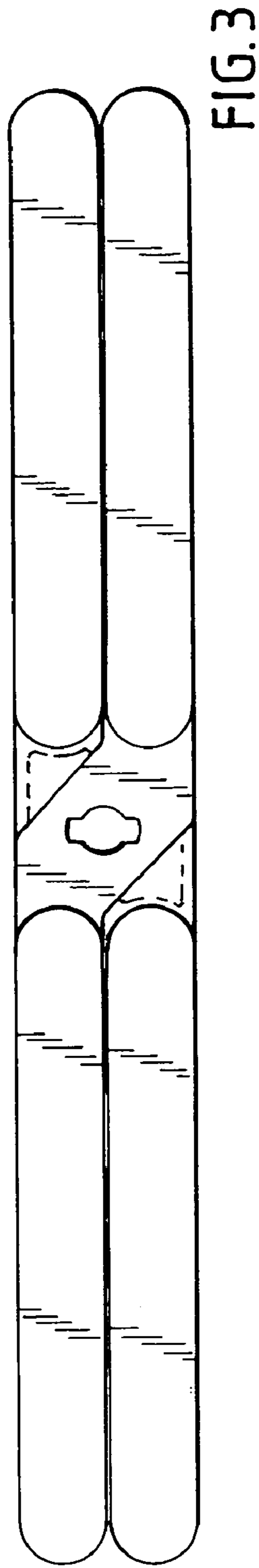
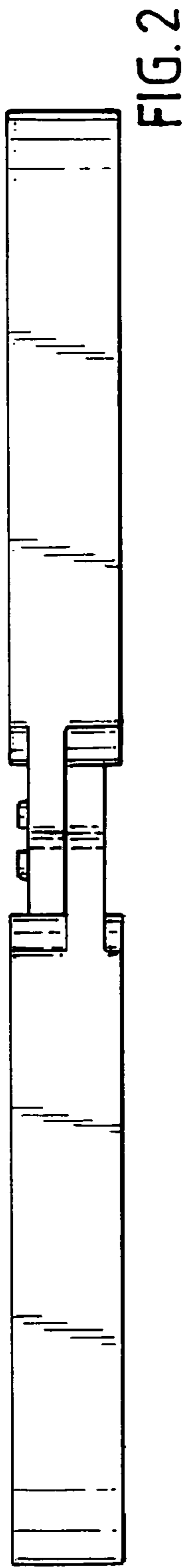
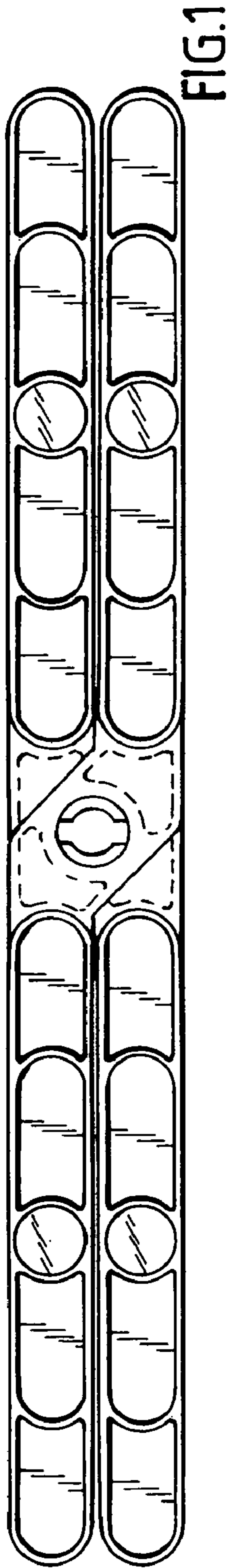
FIG. 5 is a perspective view thereof; and,

FIG. 6 is a perspective view showing the pan stand in an open position.

The broken line included depicts environment and is not part of the claimed design.

**1 Claim, 3 Drawing Sheets**





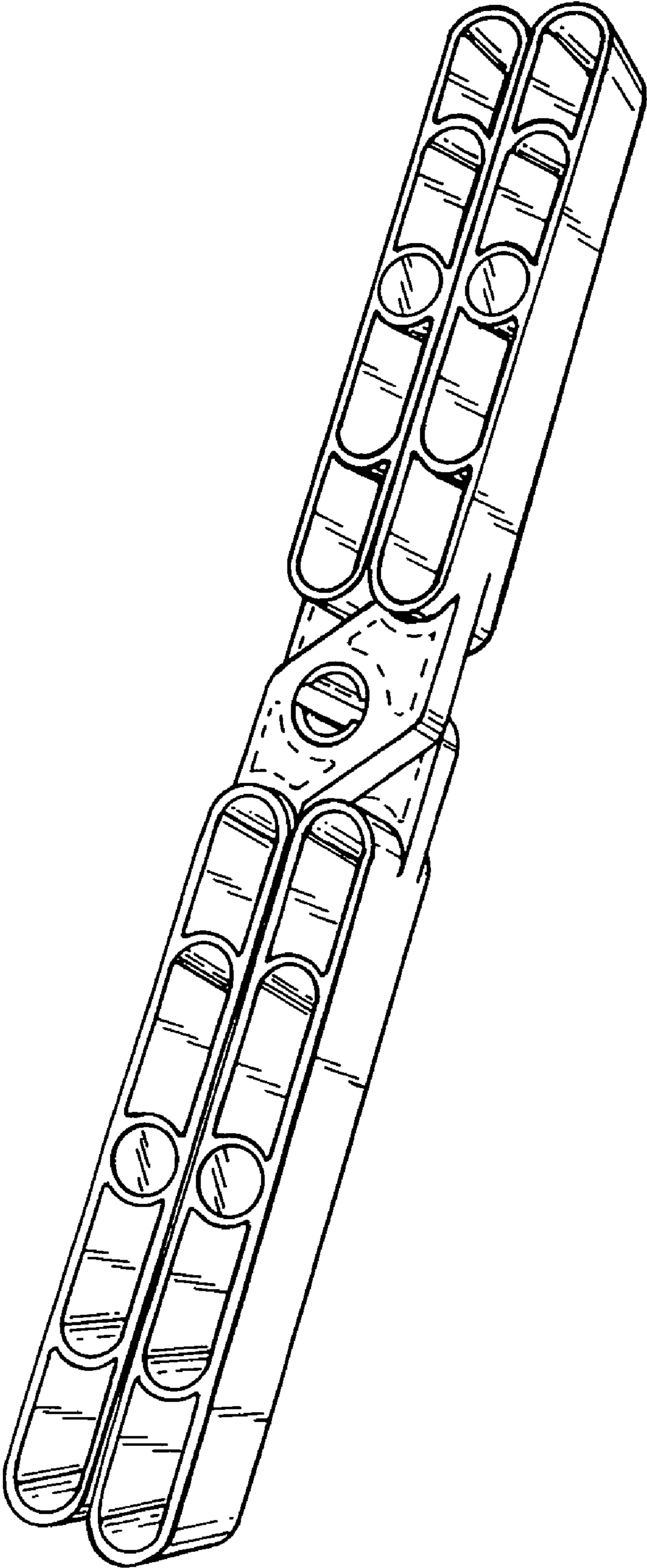


FIG. 5

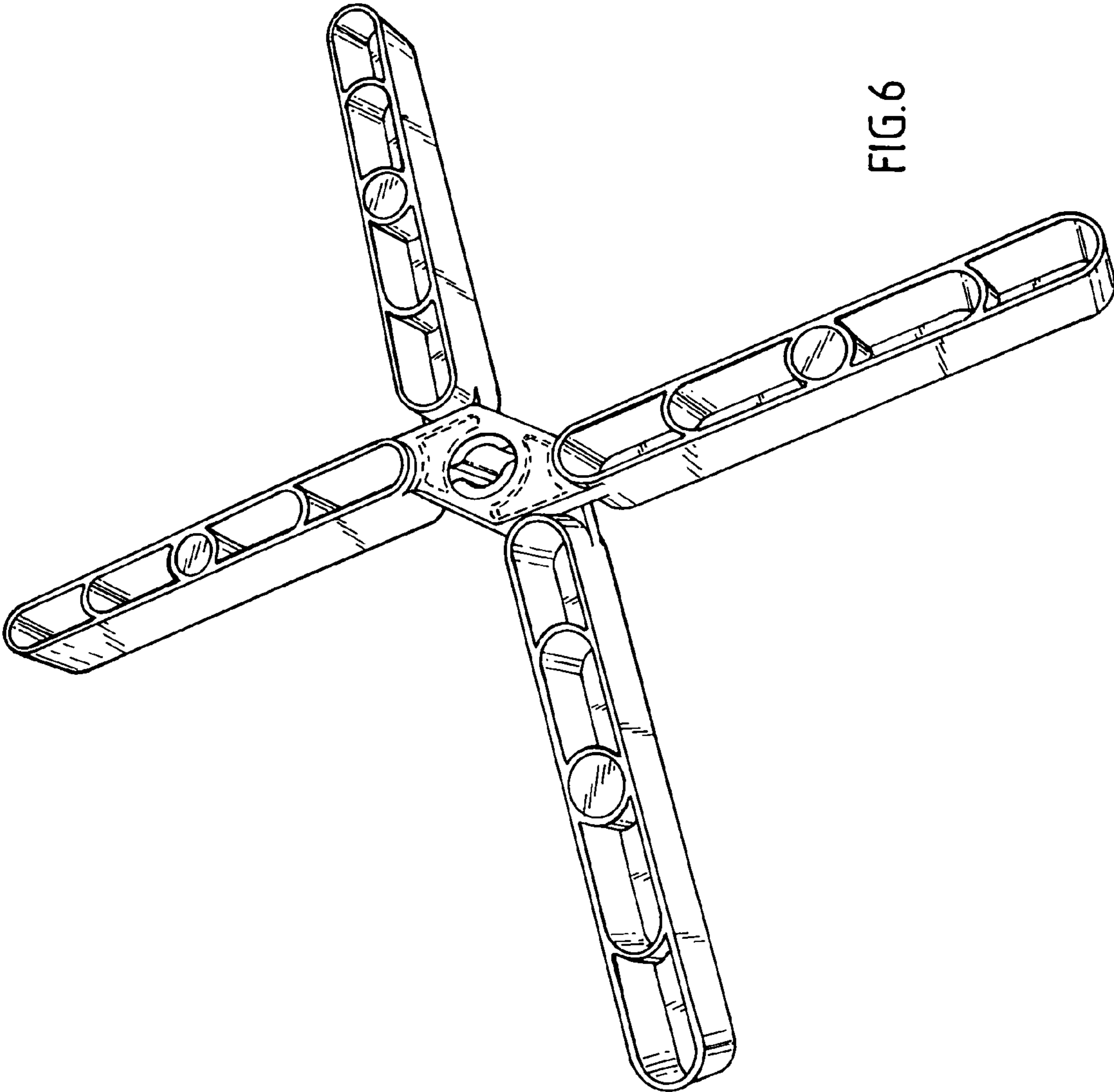


FIG. 6