

US00D544747S

(12) **United States Design Patent** (10) **Patent No.:** **US D544,747 S**
Biddle et al. (45) **Date of Patent:** **** Jun. 19, 2007**

(54) **DELI SLICER**
 (75) Inventors: **Fredric James Biddle**, Kalamazoo, MI (US); **Kristina Jean Genslak**, St. Joseph, MI (US); **Todd William Zazelenchuk**, Belmont, CA (US); **Kirsten Climer**, Ann Arbor, MI (US)

2,970,623 A * 2/1961 Lundell 83/703
 D269,347 S * 6/1983 Cantatore et al. D7/383
 D372,633 S * 8/1996 Redl, Jr. D7/383
 D418,012 S * 12/1999 Van Dullemen et al. D7/383
 D424,867 S * 5/2000 Van Dullemen D7/383
 D463,713 S * 10/2002 Zhu D7/383
 D488,953 S * 4/2004 Friel, Sr. D7/383
 D513,682 S * 1/2006 Friel et al. D7/383

(73) Assignee: **Whirlpool Corporation**, Benton Harbor, MI (US)

* cited by examiner

(**) Term: **14 Years**

Primary Examiner—Cathron C. Brooks

Assistant Examiner—Ricky Pham

(21) Appl. No.: **29/223,287**

(74) *Attorney, Agent, or Firm*—Clifton Green; Tara M. Hartman; John F. Colligan

(22) Filed: **Feb. 11, 2005**

(57) **CLAIM**

(51) **LOC (8) Cl.** **31-00**

The ornamental design of a deli slicer, as shown and described.

(52) **U.S. Cl.** **D7/383**

(58) **Field of Classification Search** D7/376–386,
 D7/693; 83/77, 91, 102, 104, 167, 168, 451,
 83/452, 478, 663, 701, 703, 707, 708, 733,
 83/856, 858, 859; 134/6; 241/46.11, 46.13,
 241/46.15, 46.17

DESCRIPTION

See application file for complete search history.

FIG. 1 is a front perspective view of the deli slicer showing the new design;

FIG. 2 is a front elevational view thereof;

FIG. 3 is a rear elevational view thereof;

FIG. 4 is a right side elevational view thereof;

FIG. 5 is a left side elevational view thereof; and,

FIG. 6 is a top plan view thereof.

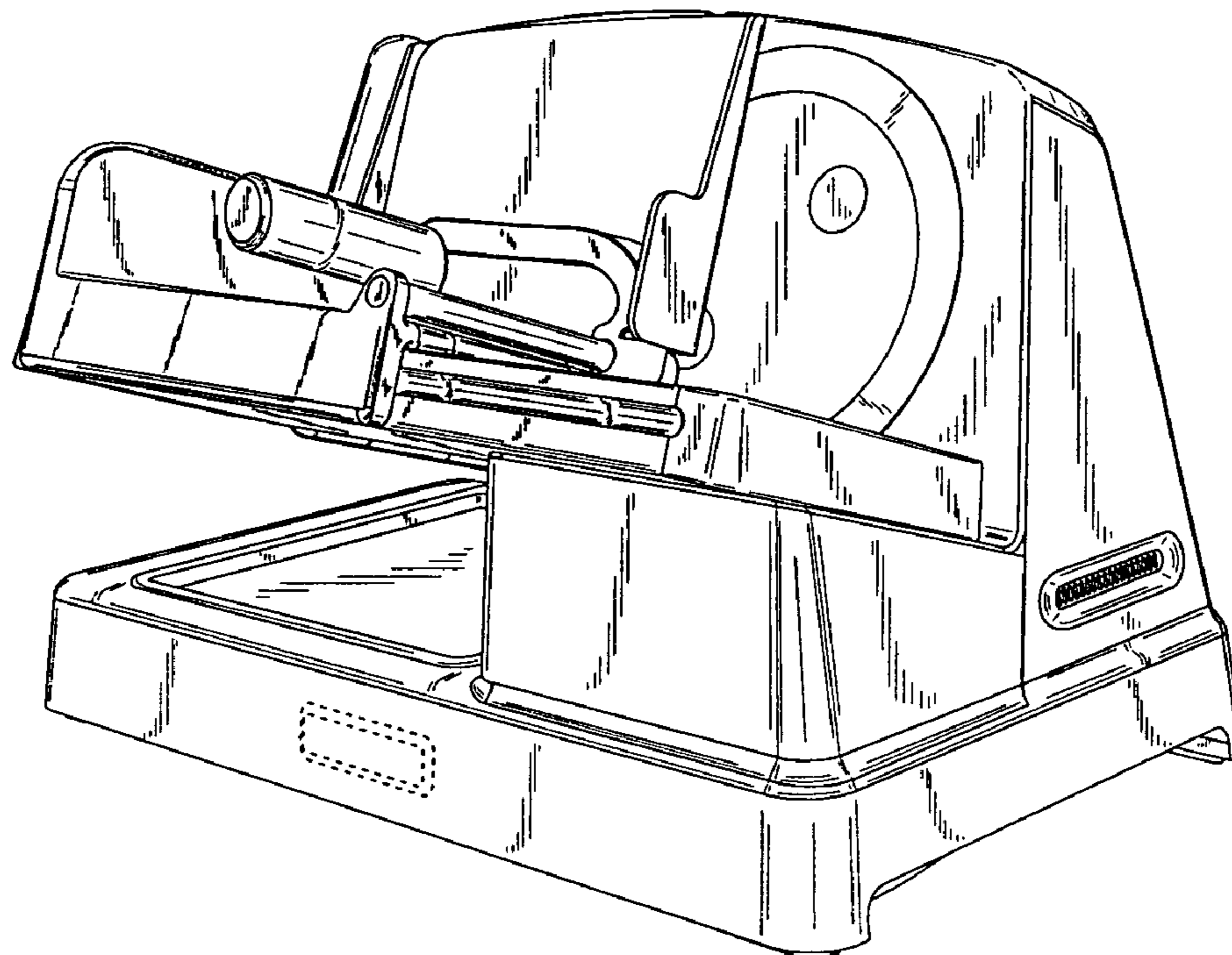
The portion of the design shown in broken lines is for illustrative purposes only and forms no part of the design.

(56) **References Cited**

U.S. PATENT DOCUMENTS

D89,839 S * 5/1933 Folk D7/383
 D107,855 S * 1/1938 Dapp D7/383
 D135,739 S * 6/1943 Arens et al. D7/383
 D145,406 S * 8/1946 Meyer D7/383
 D180,304 S * 5/1957 Van Duyn D7/383

1 Claim, 4 Drawing Sheets



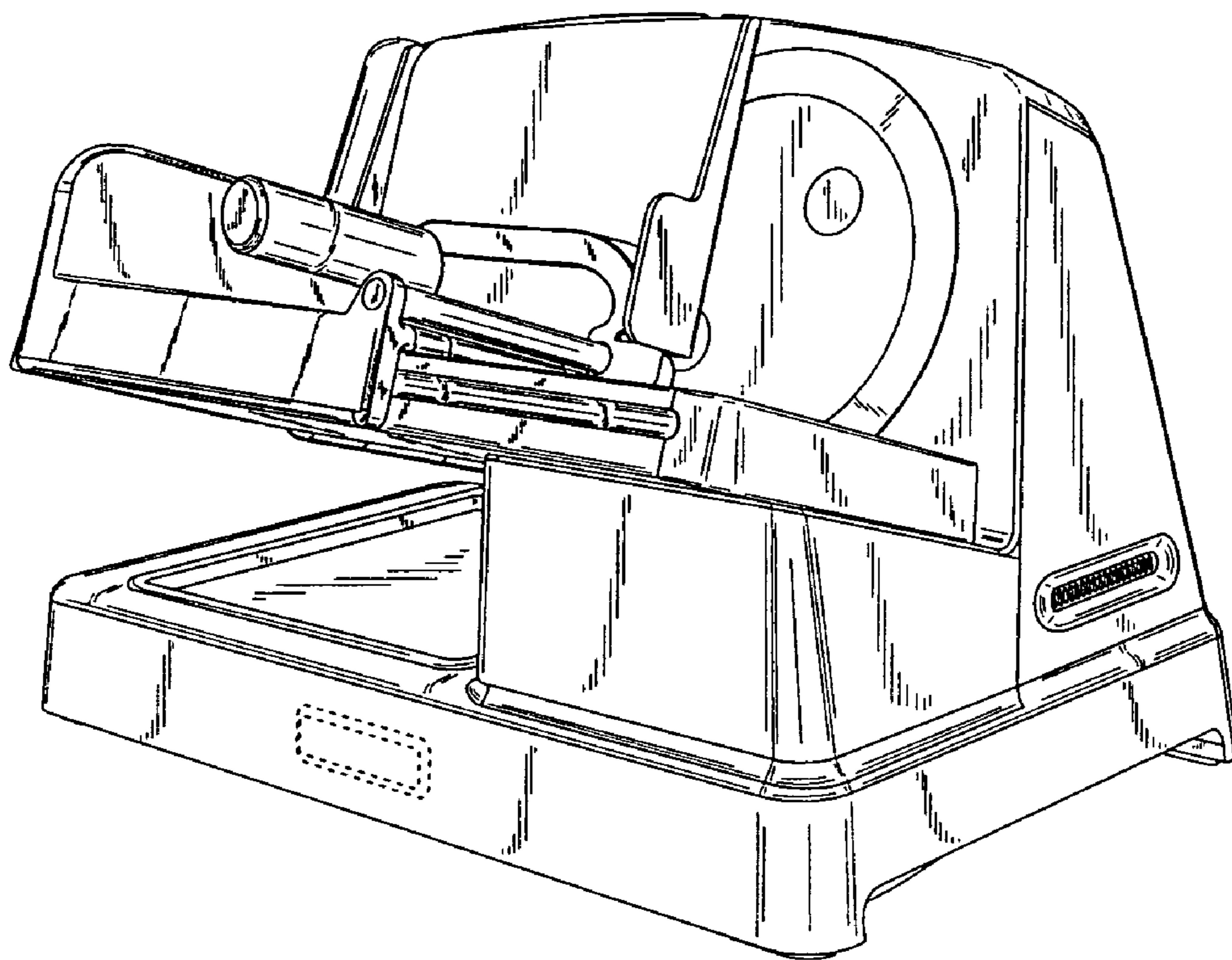


Fig. 1

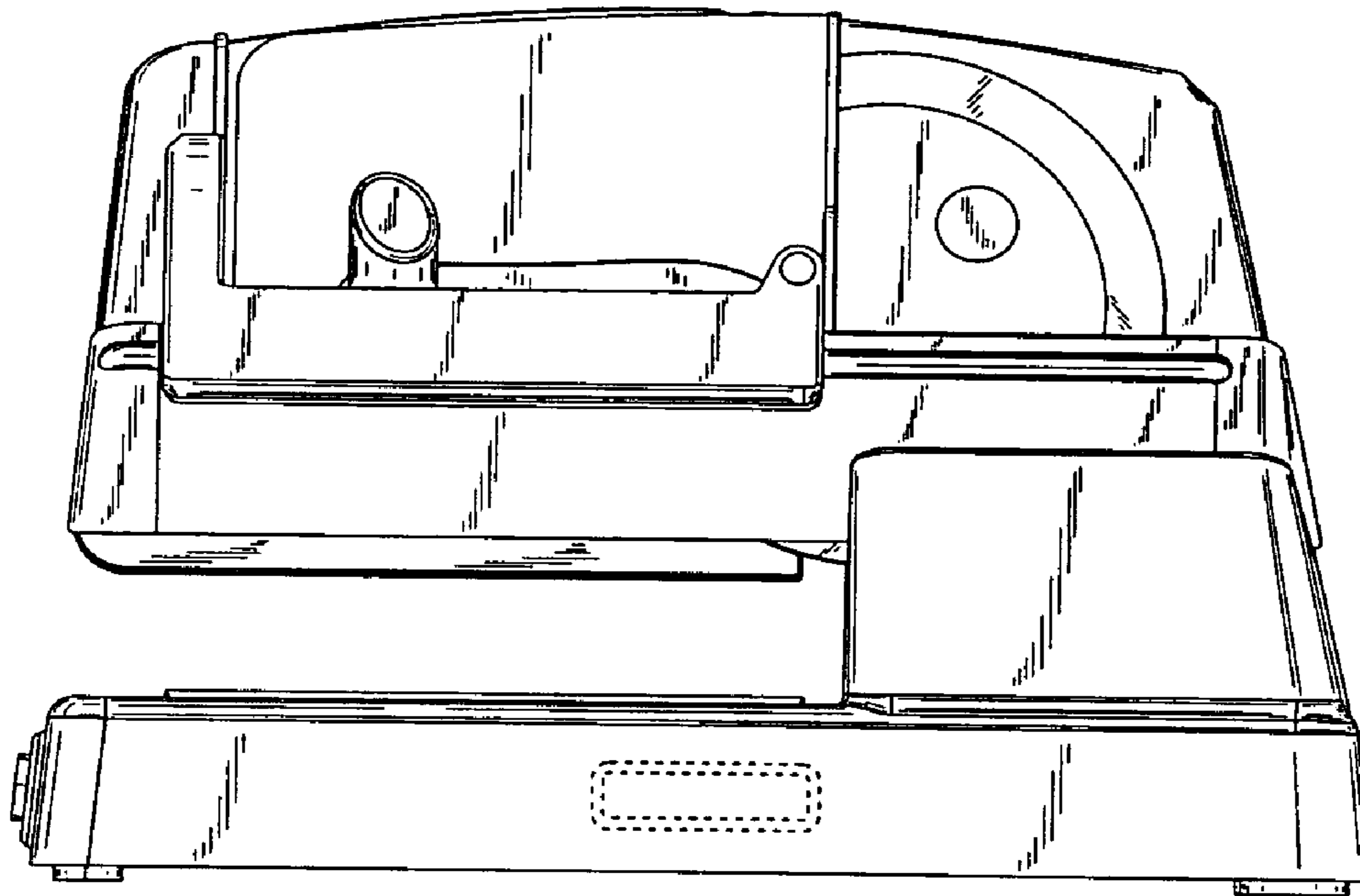


Fig. 2

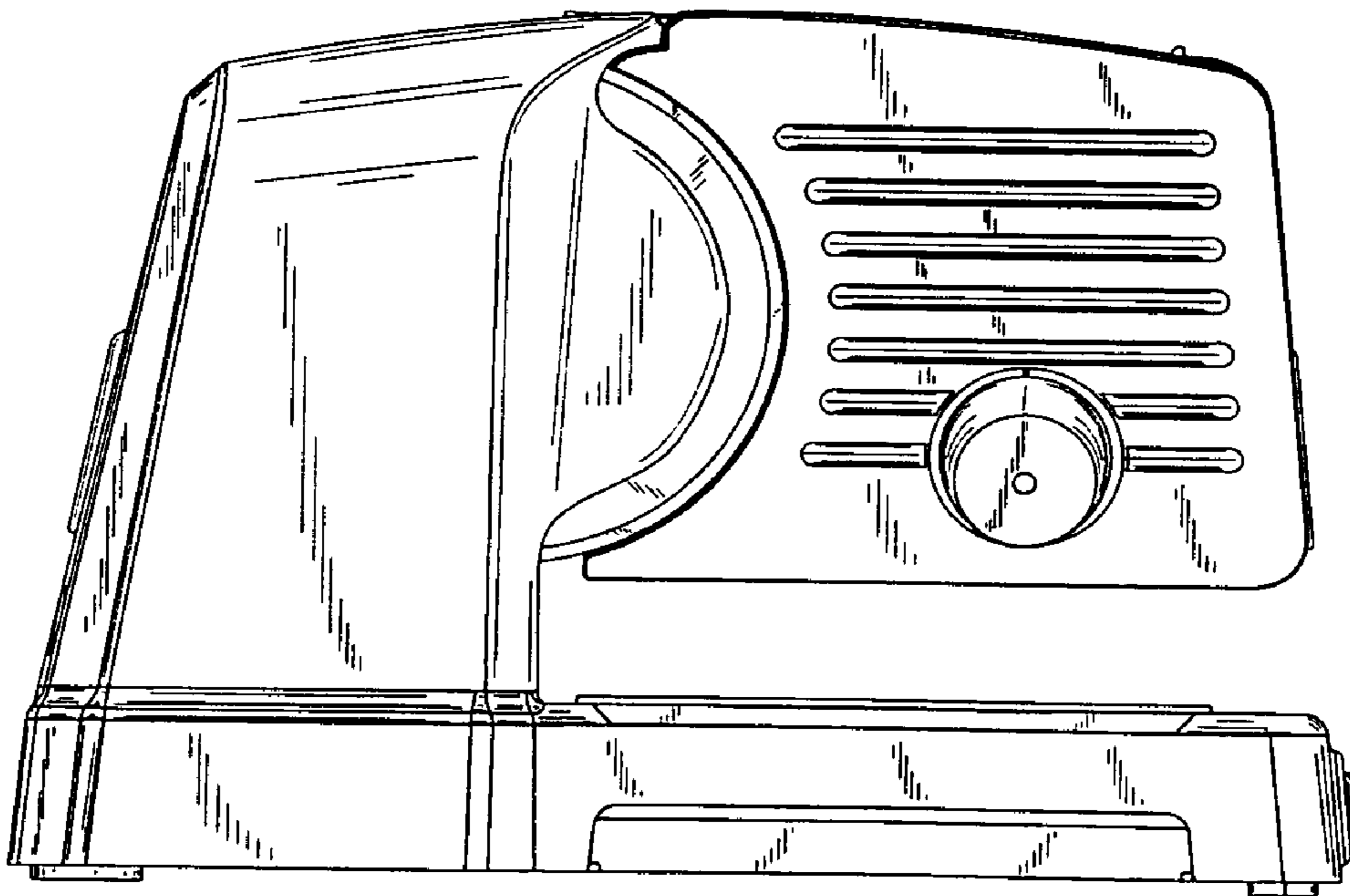


Fig. 3

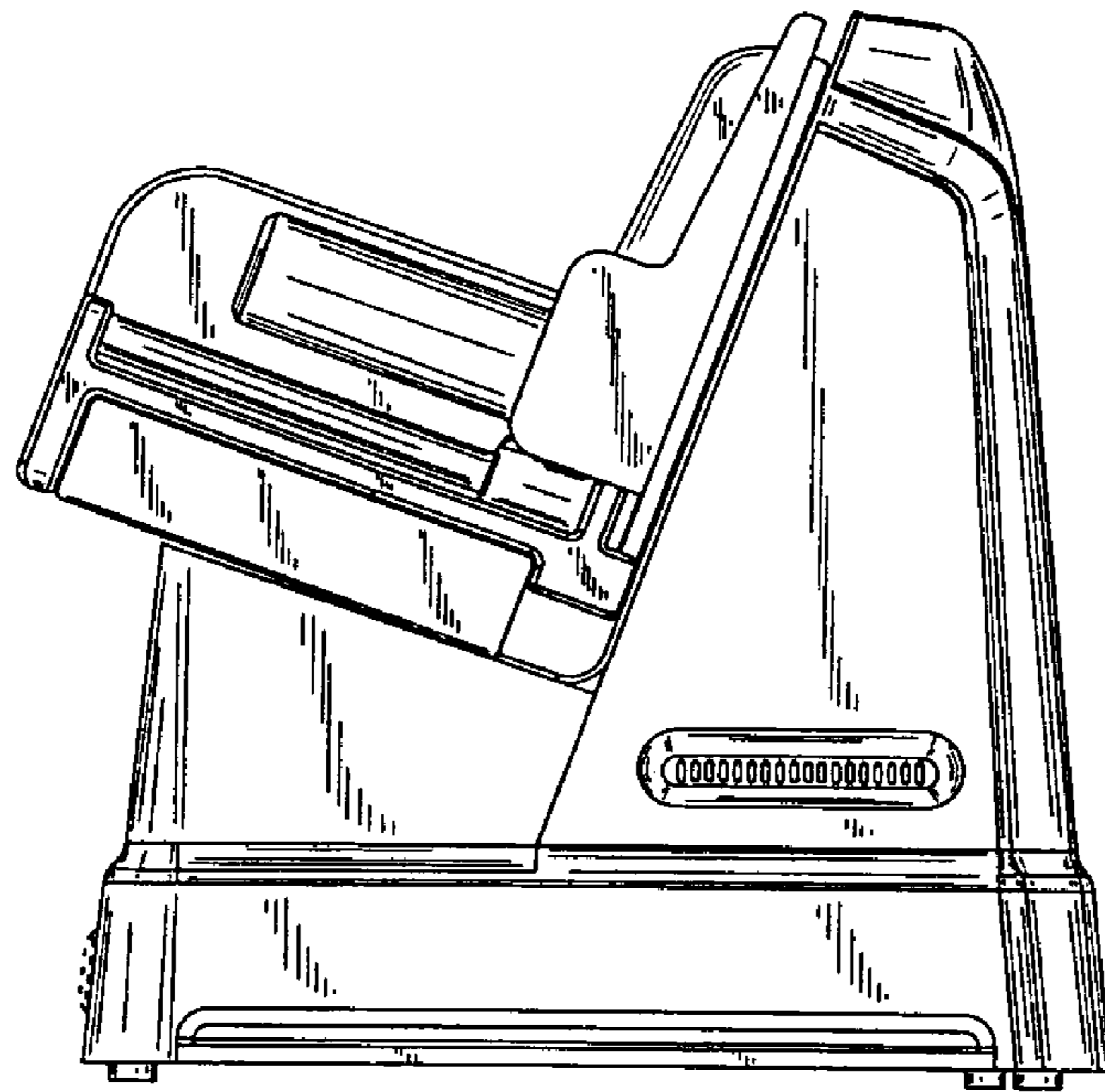


Fig 4

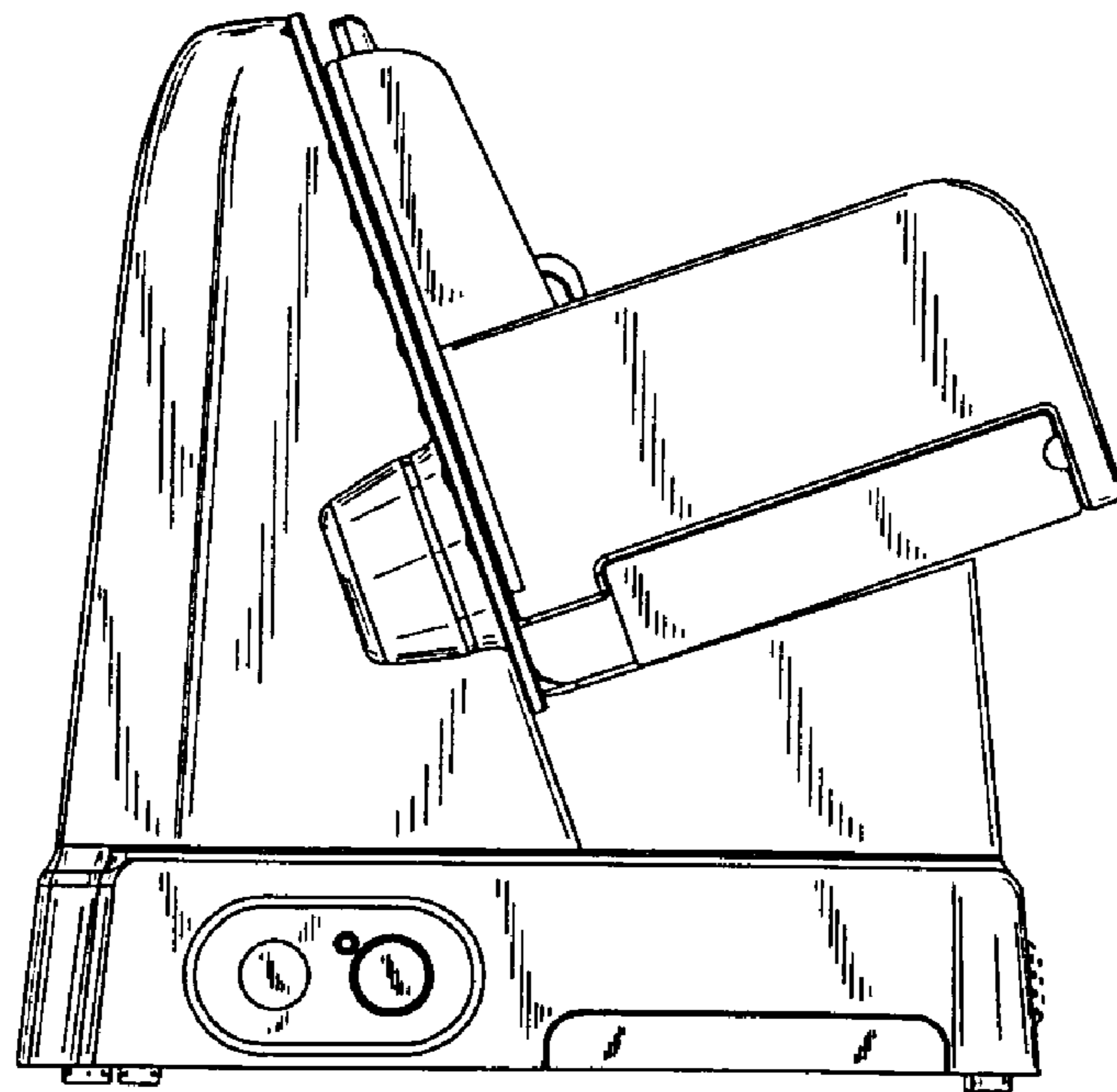


Fig 5

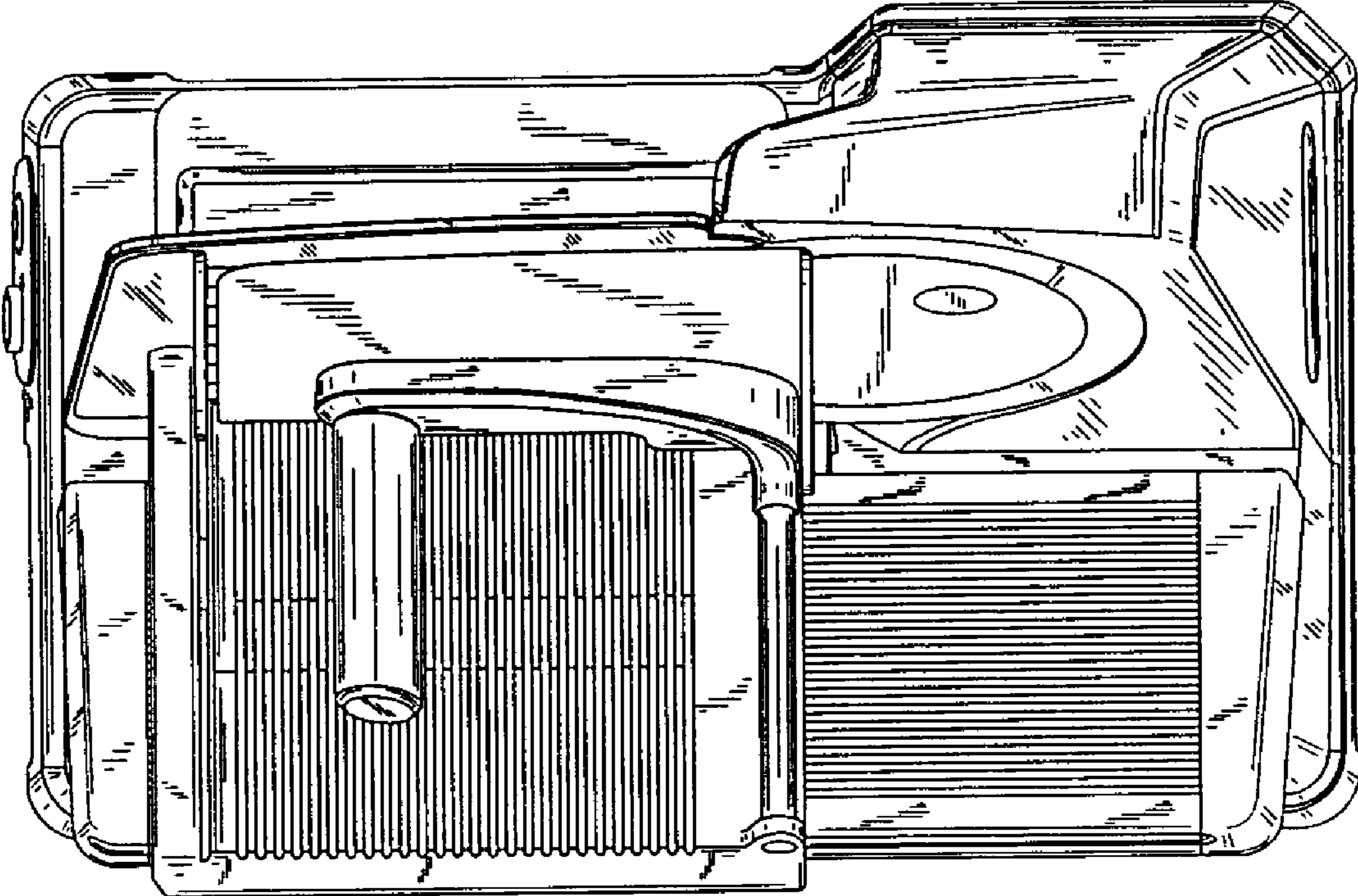


Fig. 6