



US00D544746S

(12) **United States Design Patent**
de Vries

(10) **Patent No.:** **US D544,746 S**

(45) **Date of Patent:** **** Jun. 19, 2007**

(54) **COMBINED BLENDER BASE AND LID**

(75) Inventor: **Noes de Vries**, Nijmegen (NL)

(73) Assignee: **Broockeville Corporation N.V.**,
Willemstad, Curacao

(**) Term: **14 Years**

(21) Appl. No.: **29/205,901**

(22) Filed: **May 21, 2004**

(30) **Foreign Application Priority Data**

Nov. 24, 2003 (EM) 000105887

(51) **LOC (8) Cl.** **31-00**

(52) **U.S. Cl.** **D7/378**

(58) **Field of Classification Search** D7/306,
D7/309, 311, 376-386, 412, 413, 415, 509,
D7/523, 529, 530; 99/348, 509-511; 241/30,
241/33, 37.5, 101.01, 101.1, 101.2, 282.2,
241/285.1, 285.2, 301; 366/64, 65, 129,
366/197-214, 219, 241-254, 314, 341, 349;
D9/447

See application file for complete search history.

(56) **References Cited**

U.S. PATENT DOCUMENTS

D250,445 S * 12/1978 Braun D7/400
4,303,525 A * 12/1981 Stover 210/455
D266,894 S * 11/1982 Bersten D7/400

4,642,190 A * 2/1987 Zimmerman 210/464
4,676,396 A * 6/1987 Mamolou 221/36
5,197,630 A * 3/1993 Kirla 221/37
D339,028 S * 9/1993 Bannigan D7/400
D340,382 S * 10/1993 Bannigan D7/400
6,758,592 B2 * 7/2004 Wulf et al. 366/205

* cited by examiner

Primary Examiner—Cathron C. Brooks

Assistant Examiner—Ricky Pham

(74) *Attorney, Agent, or Firm*—Troutman Sanders LLP;
Ryan A. Schneider; James Hunt Yancey, Jr.

(57) **CLAIM**

The ornamental design for the combined blender base and lid, as shown and described.

DESCRIPTION

FIG. 1 is a perspective view of my new design comprising a combined blender base and lid;

FIG. 2 is a left side elevational view thereof;

FIG. 3 is a right side elevational view thereof;

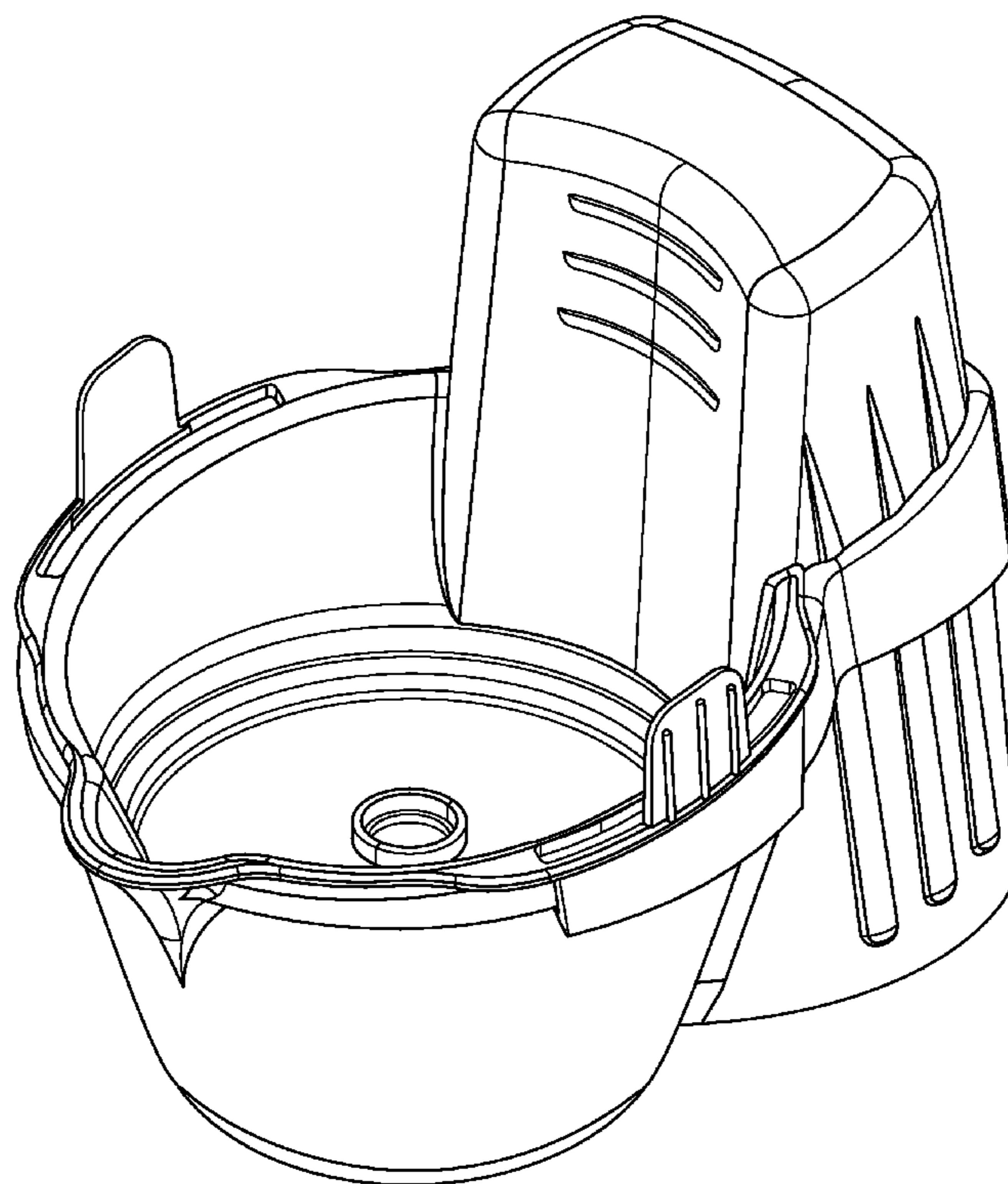
FIG. 4 is a front elevational view thereof;

FIG. 5 is a top plan view thereof; and,

FIG. 6 is a bottom plan view thereof.

The broken lines shown in the drawings are for illustrative purposes only and form no part of the claimed design.

1 Claim, 6 Drawing Sheets



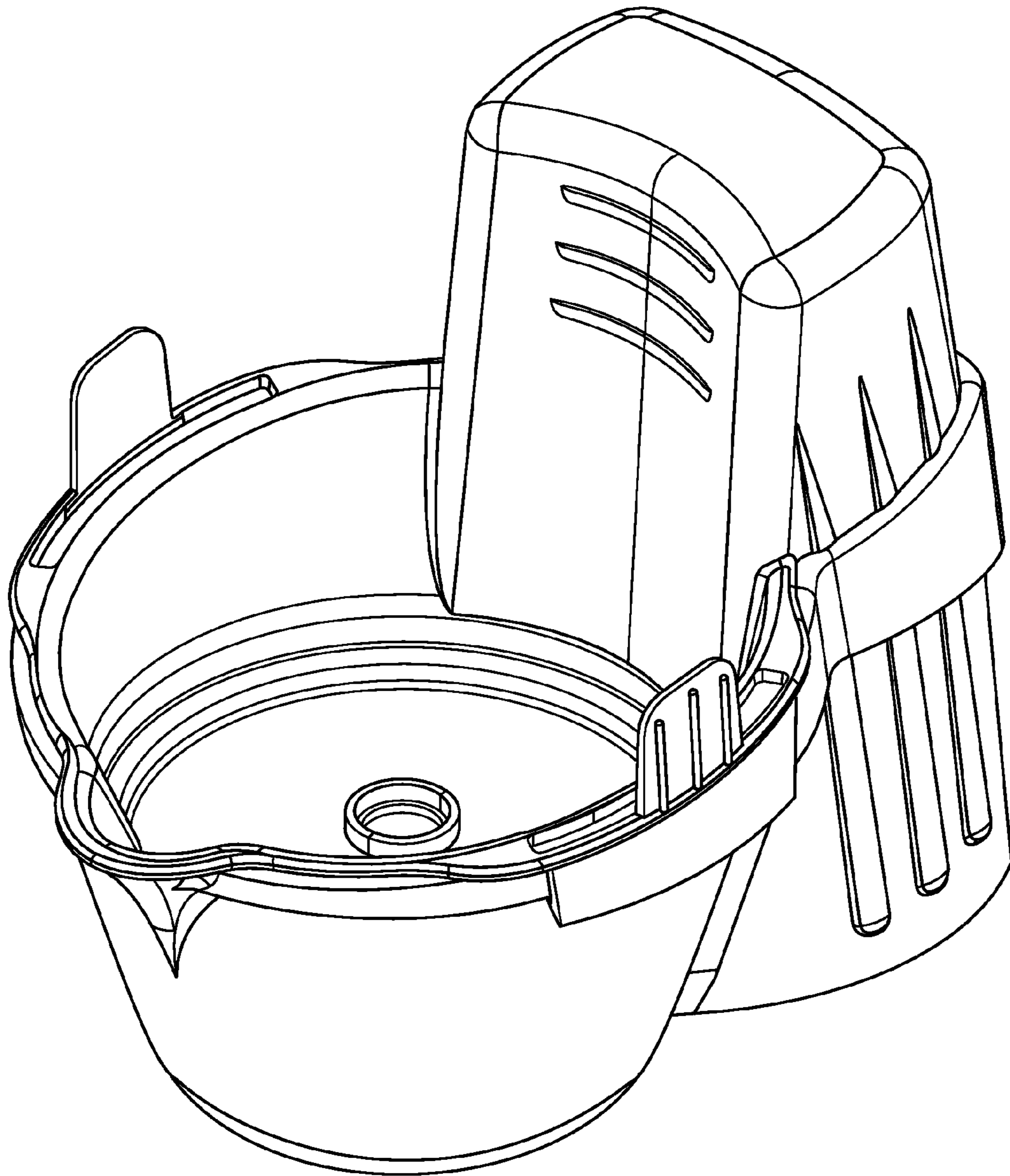


Fig. 1

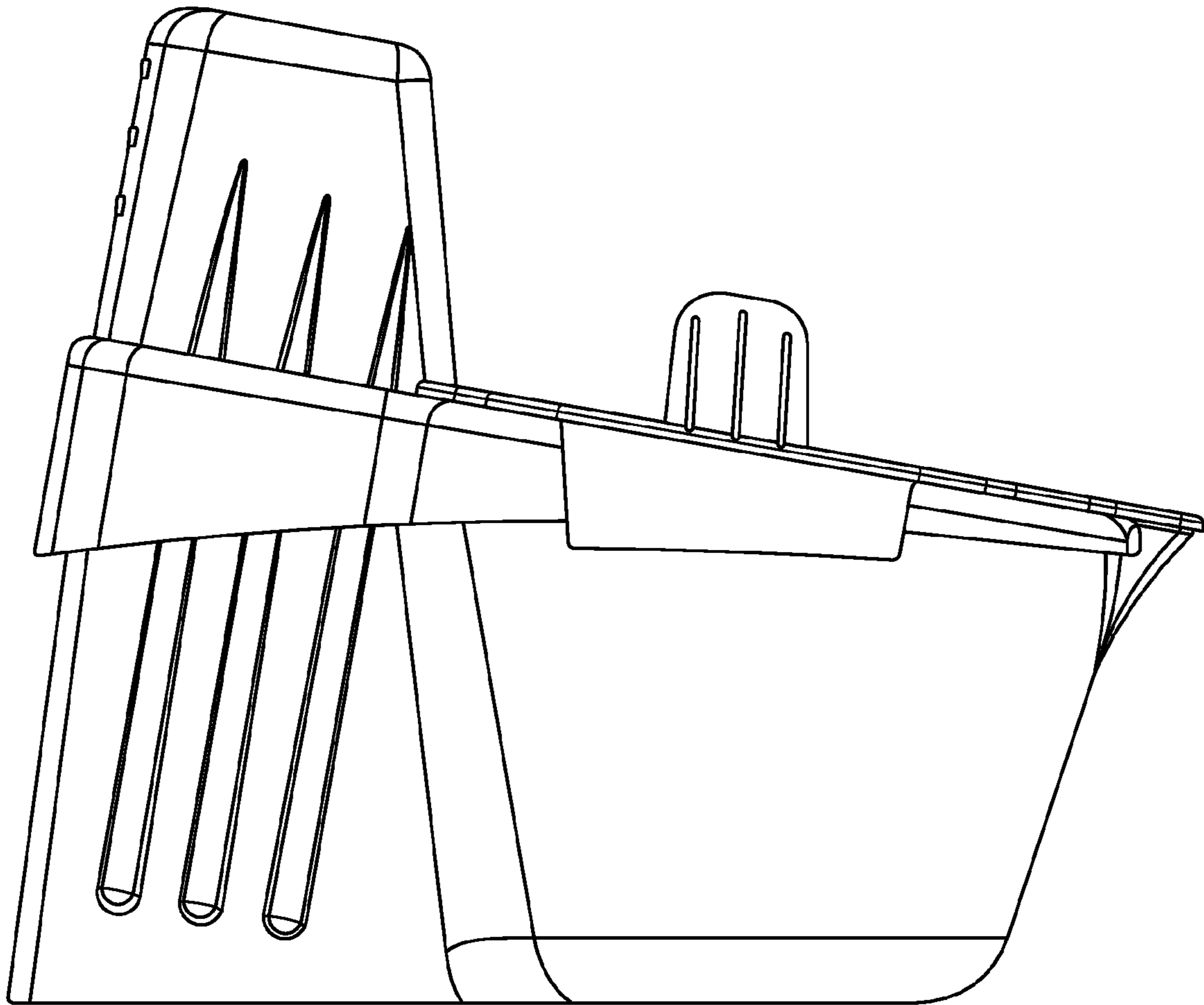


Fig. 2

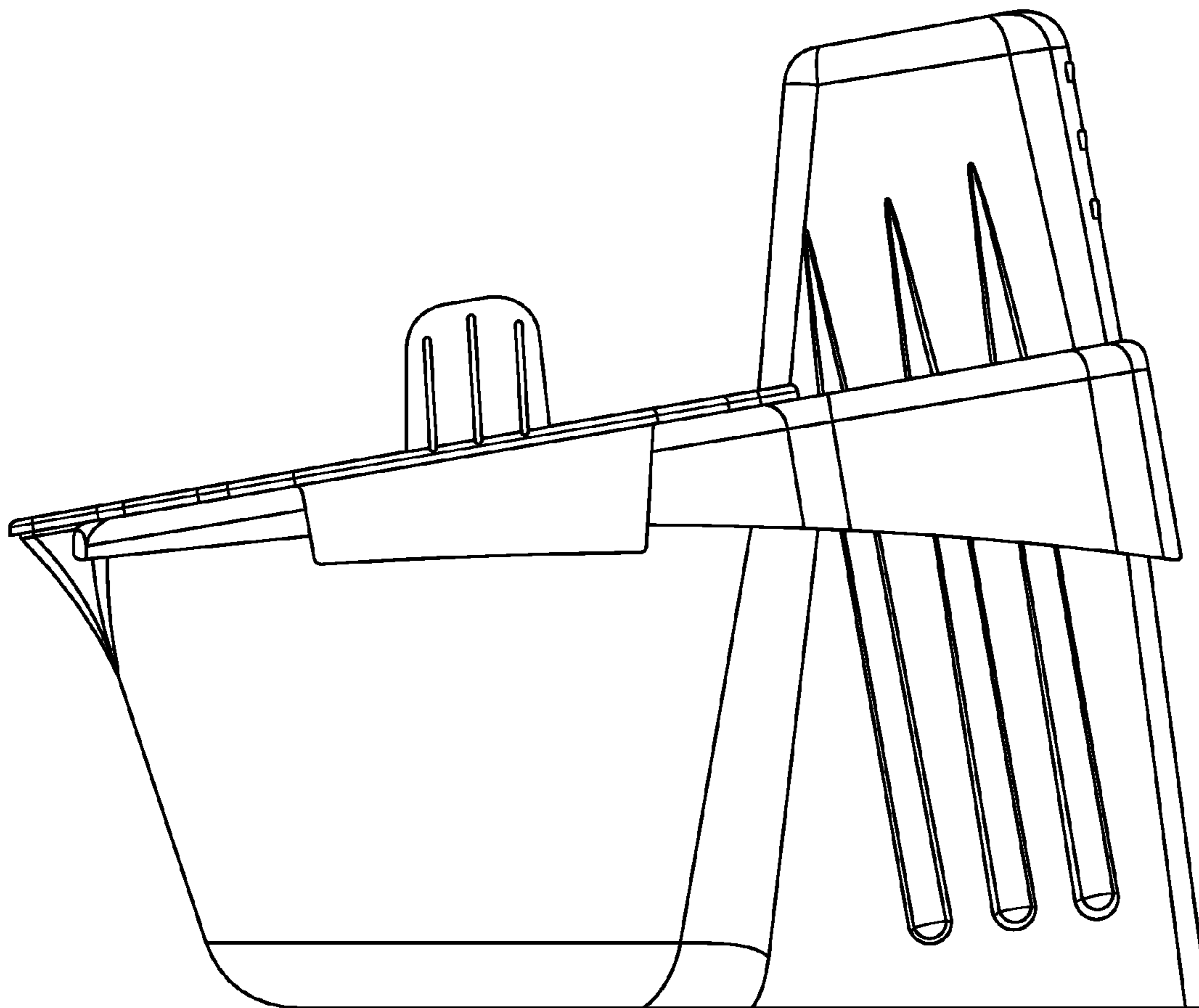


Fig. 3

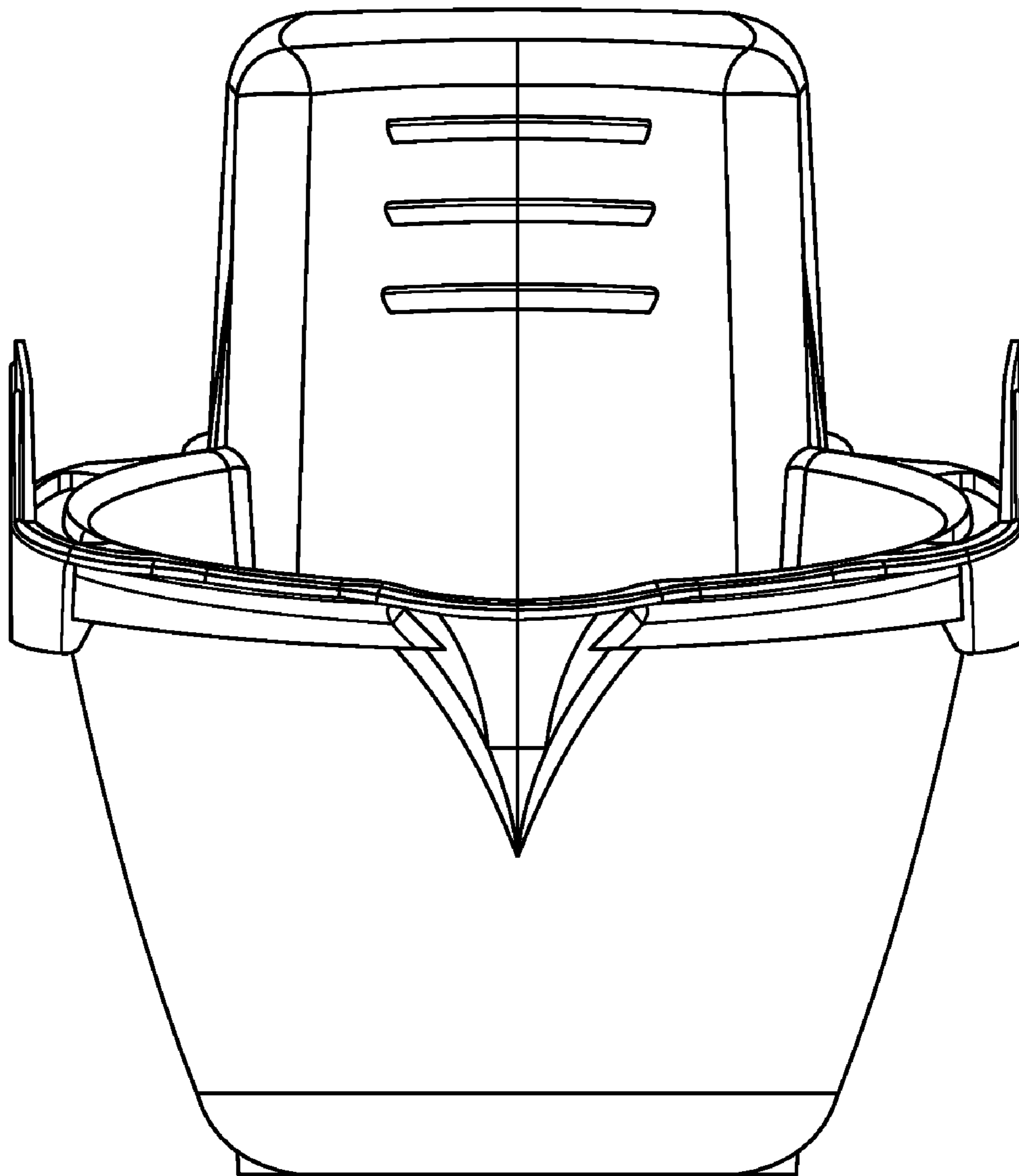


Fig. 4

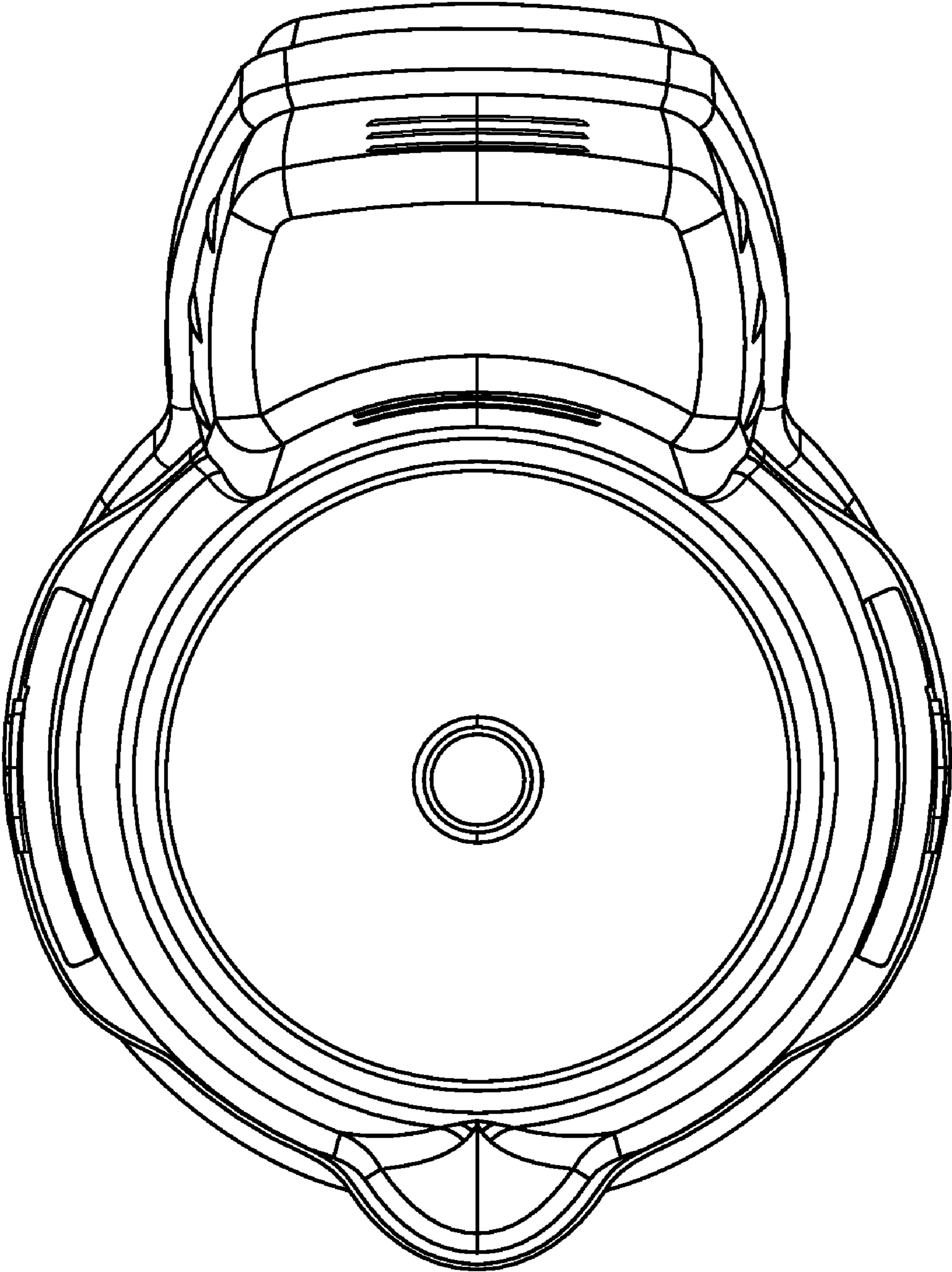


Fig. 5

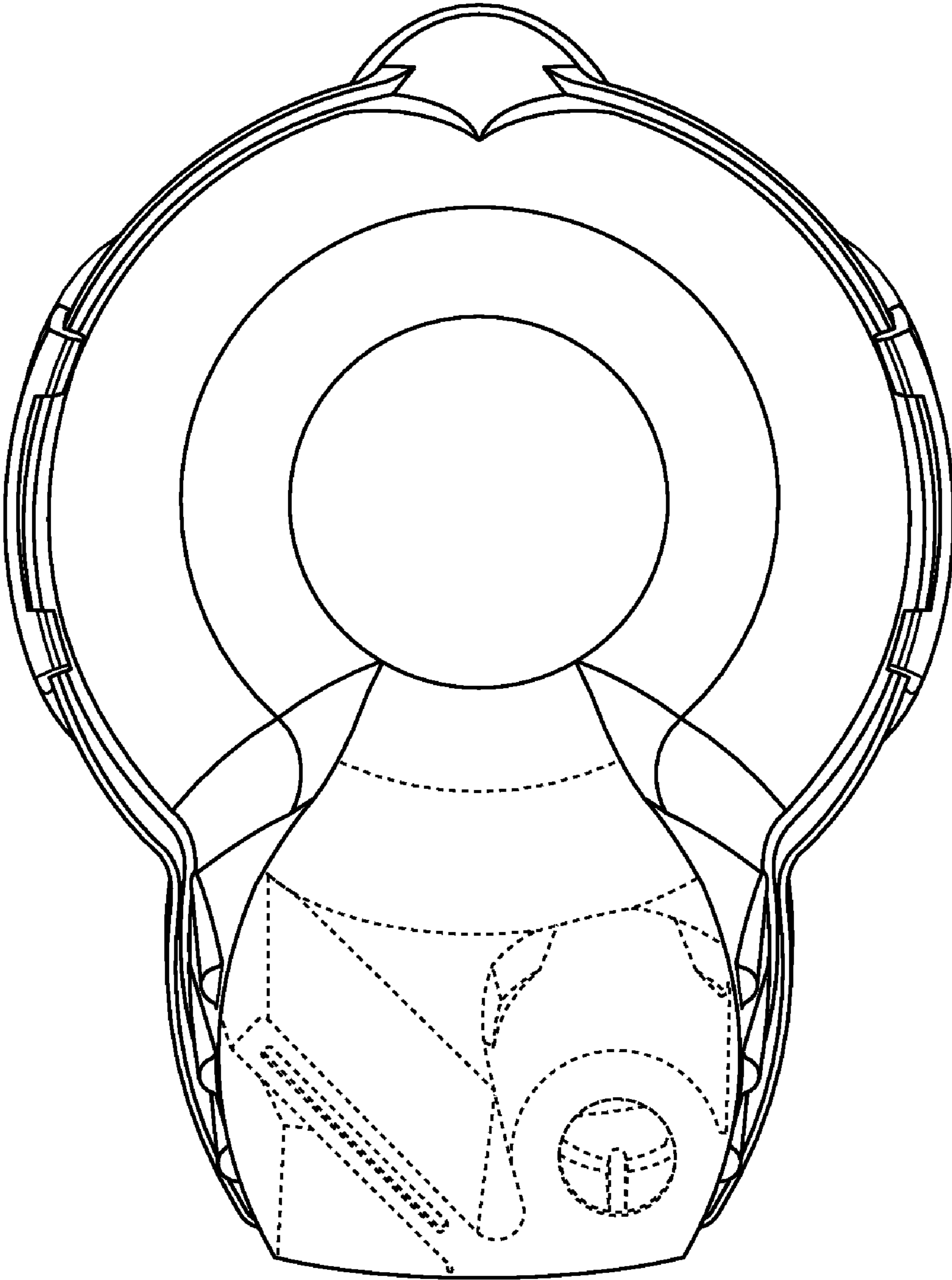


Fig. 6