



US00D544736S

(12) **United States Design Patent**  
**Jackson**

(10) **Patent No.:** **US D544,736 S**

(45) **Date of Patent:** **\*\* Jun. 19, 2007**

(54) **BATH ACCESSORY HOLDER**

D333,751 S \* 3/1993 Crook et al. .... D6/524  
6,635,332 B1 \* 10/2003 McArthur ..... 211/70.7

(75) Inventor: **Timothy A. Jackson**, Winston-Salem,  
NC (US)

\* cited by examiner

(73) Assignee: **Liberty Hardware Mfg. Corp.**,  
Winston-Salem, NC (US)

*Primary Examiner*—Brian N Vinson  
(74) *Attorney, Agent, or Firm*—Edgar A. Zarins; Lloyd D.  
Doigan

(\*\*) Term: **14 Years**

(57) **CLAIM**

(21) Appl. No.: **29/215,166**

The ornamental design for a bath accessory holder, as shown  
and described.

(22) Filed: **Oct. 14, 2004**

(51) **LOC (8) Cl.** ..... **28-03**

(52) **U.S. Cl.** ..... **D6/526**

(58) **Field of Classification Search** ..... D6/524,  
D6/526; 211/13.1, 65, 66, 70.6, 70.7, 87.01,  
211/89.01

See application file for complete search history.

**DESCRIPTION**

FIG. 1 is a perspective view of a bath accessory holder  
showing my new design;

FIG. 2 is a top plan view thereof;

FIG. 3 is a right side view thereof, the opposite side being  
a mirror image of the side shown; and,

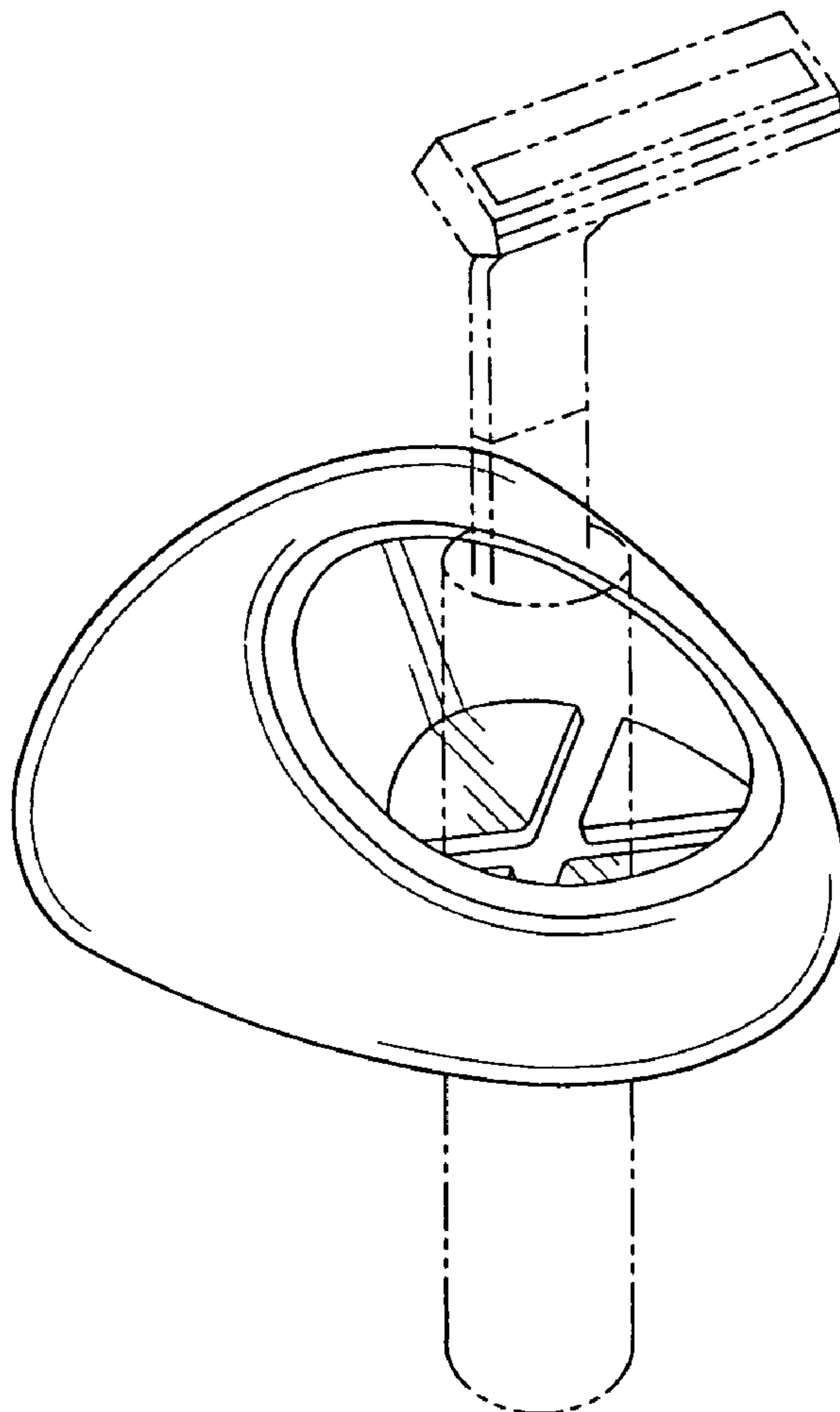
FIG. 4 is a front elevational view thereof.

(56) **References Cited**

**U.S. PATENT DOCUMENTS**

2,616,647 A \* 11/1952 Murchison ..... D6/526

**1 Claim, 1 Drawing Sheet**



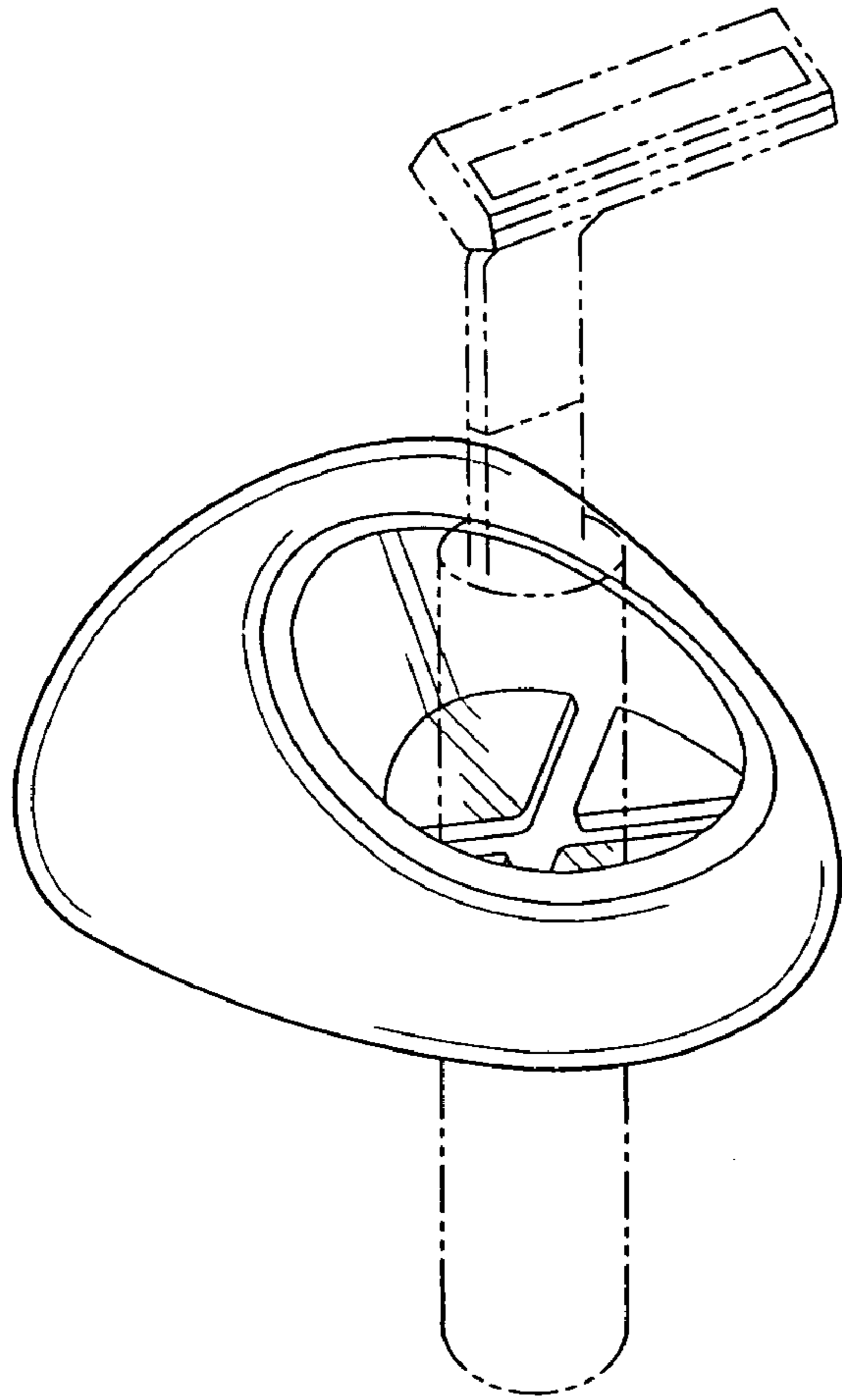


Fig-1

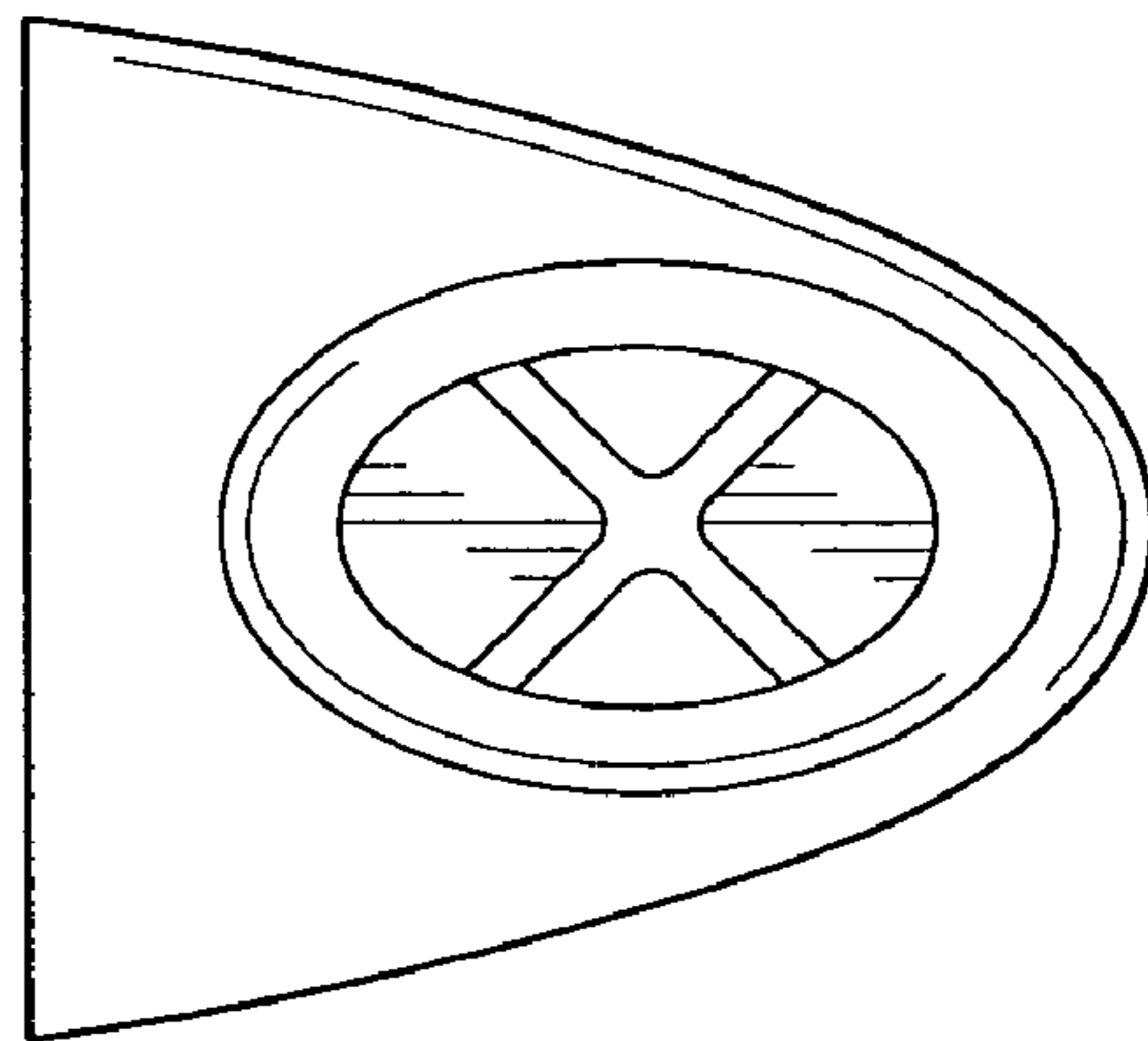


Fig-2

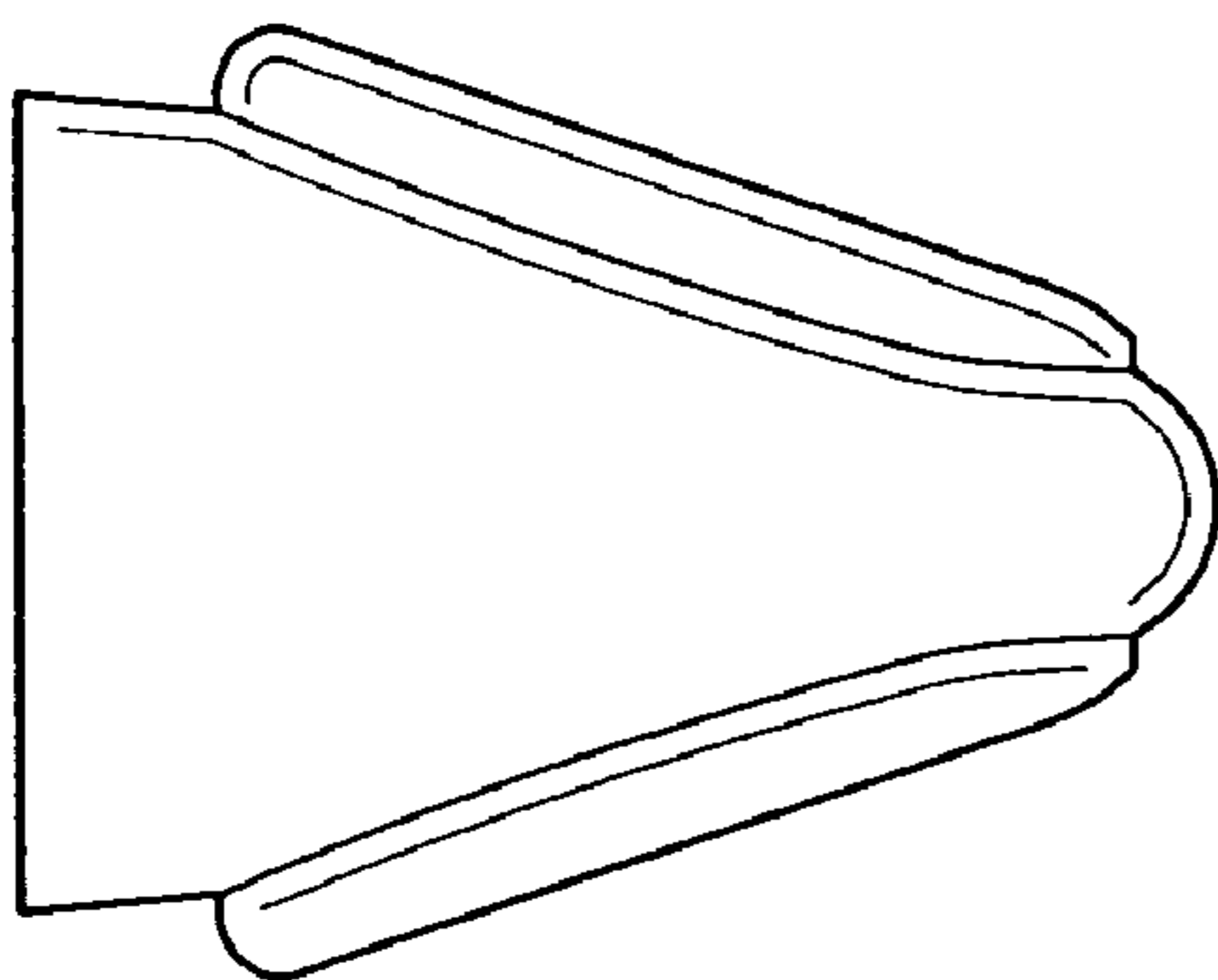


Fig-3

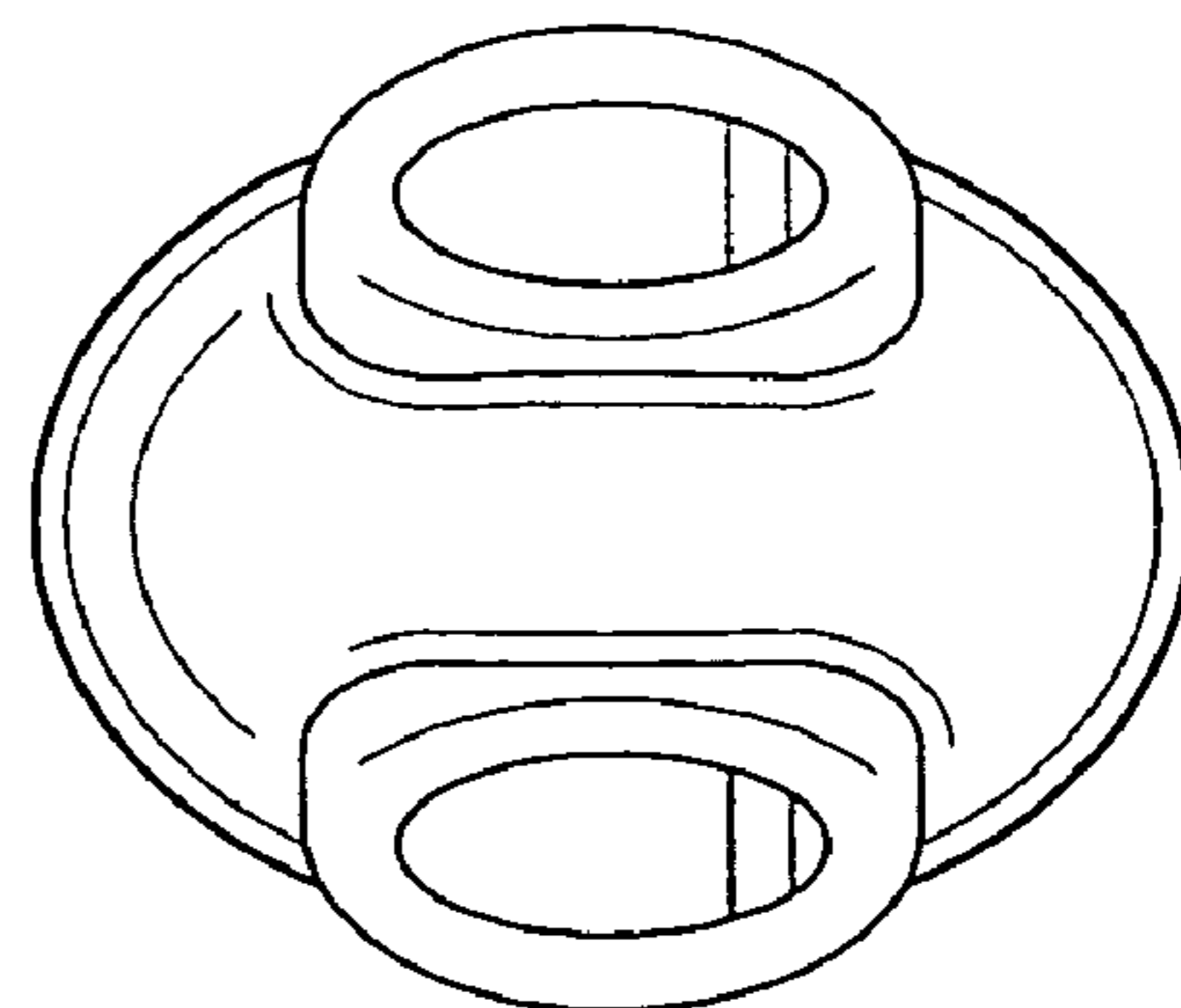


Fig-4