

US00D544734S

(12) **United States Design Patent**
Quintal

(10) **Patent No.:** **US D544,734 S**

(45) **Date of Patent:** **** Jun. 19, 2007**

(54) **TABLE BASE**

(75) **Inventor:** **Alain Quintal**, 4745 Road 125,
Rawdon, Quebec (CA), J0K 1S0

(73) **Assignee:** **Alain Quintal**, St-Leonard, Quebec
(CA)

(**) **Term:** **14 Years**

(21) **Appl. No.:** **29/234,713**

(22) **Filed:** **Jul. 22, 2005**

Related U.S. Application Data

(63) Continuation-in-part of application No. 29/202,508, filed on
Apr. 1, 2004, now abandoned.

(30) **Foreign Application Priority Data**

Oct. 8, 2003 (CA) 104459

(51) **LOC (8) Cl.** **06-06**

(52) **U.S. Cl.** **D6/499**

(58) **Field of Classification Search** D6/480-489,
D6/495-499, 511; 108/50.01, 50.02, 153.1,
108/155, 156, 157.1, 161; 248/188, 188.1,
248/188.8; 312/208.1, 208.2, 223.1, 223.2,
312/223.3

See application file for complete search history.

(56) **References Cited**

U.S. PATENT DOCUMENTS

D130,990	S	*	1/1942	Gerhardt	D6/499
D252,388	S	*	7/1979	Fjello-Jensen	D34/17
D332,887	S	*	2/1993	Fjello-Jensen	D6/496
D404,940	S	*	2/1999	Gallardo	D6/499
6,360,675	B1	*	3/2002	Jones	108/50.02

* cited by examiner

Primary Examiner—Janice E. Seeger

(74) *Attorney, Agent, or Firm*—Brouillette & Partners;
Robert Brouillette

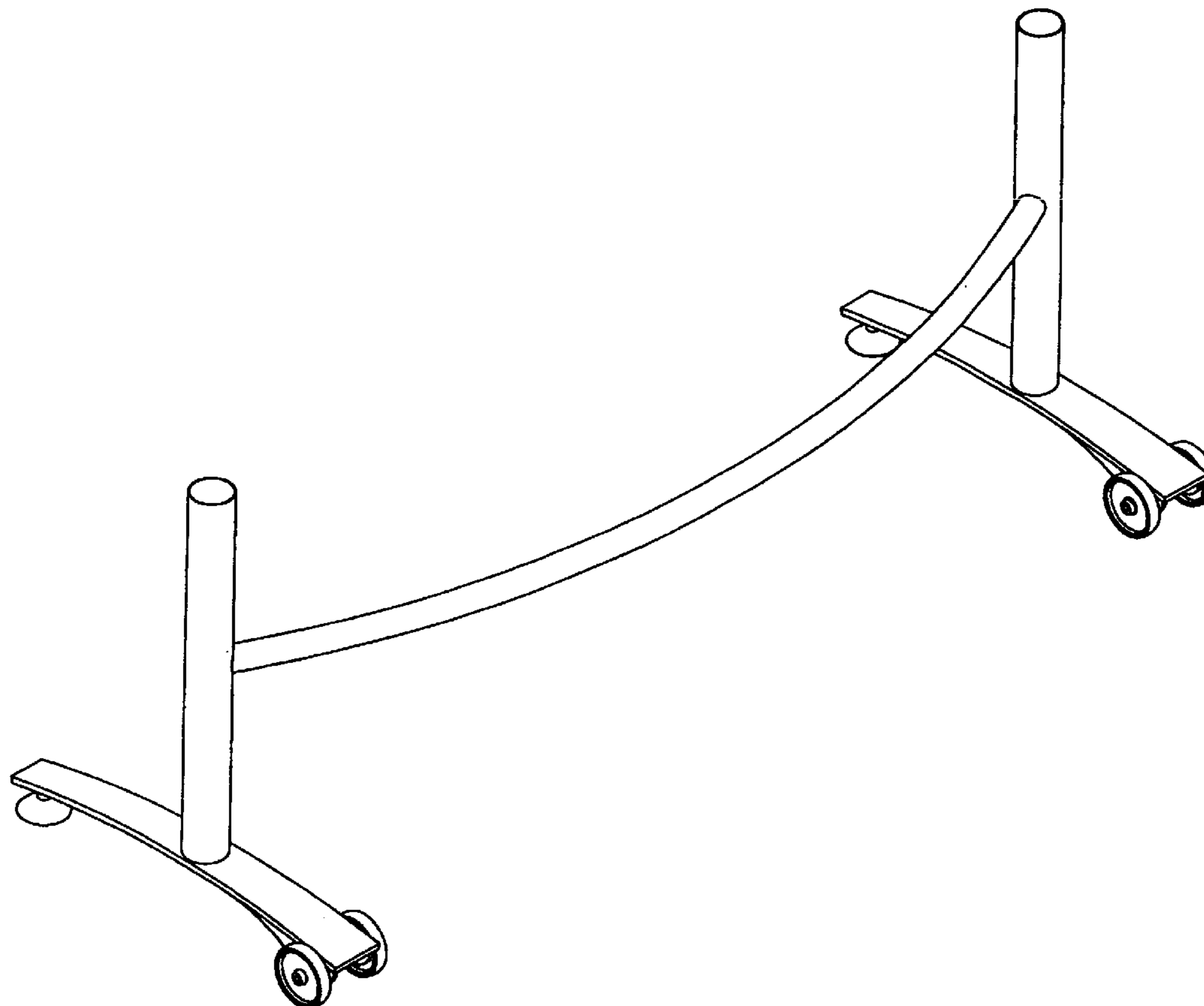
(57) **CLAIM**

The ornamental design for a table base, as shown.

DESCRIPTION

FIG. 1 is a perspective view of the table base;
FIG. 2 is a side view of the table base;
FIG. 3 is a front view of the table base; and,
FIG. 4 is a top view of the table base.

1 Claim, 4 Drawing Sheets



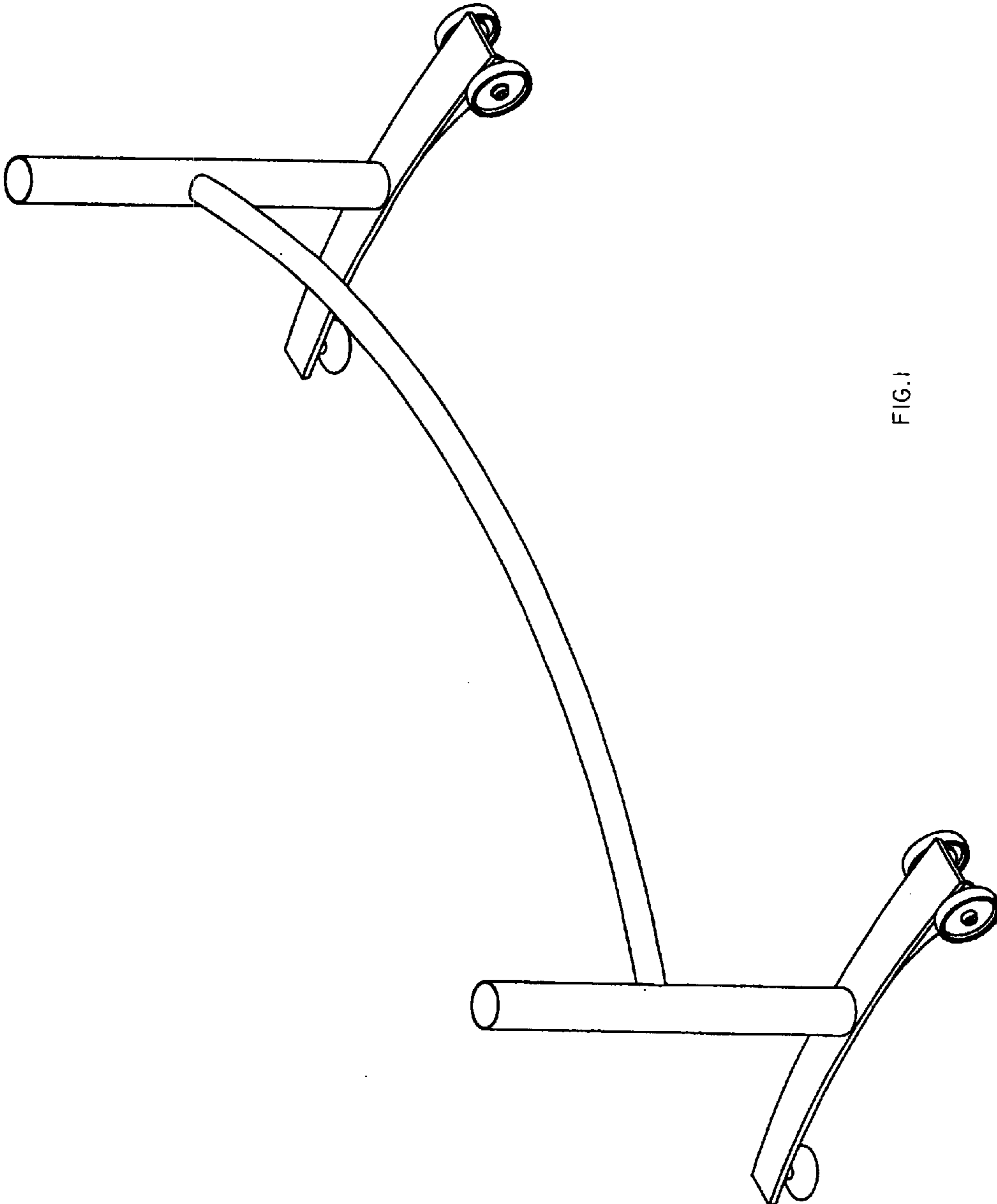


FIG. 1

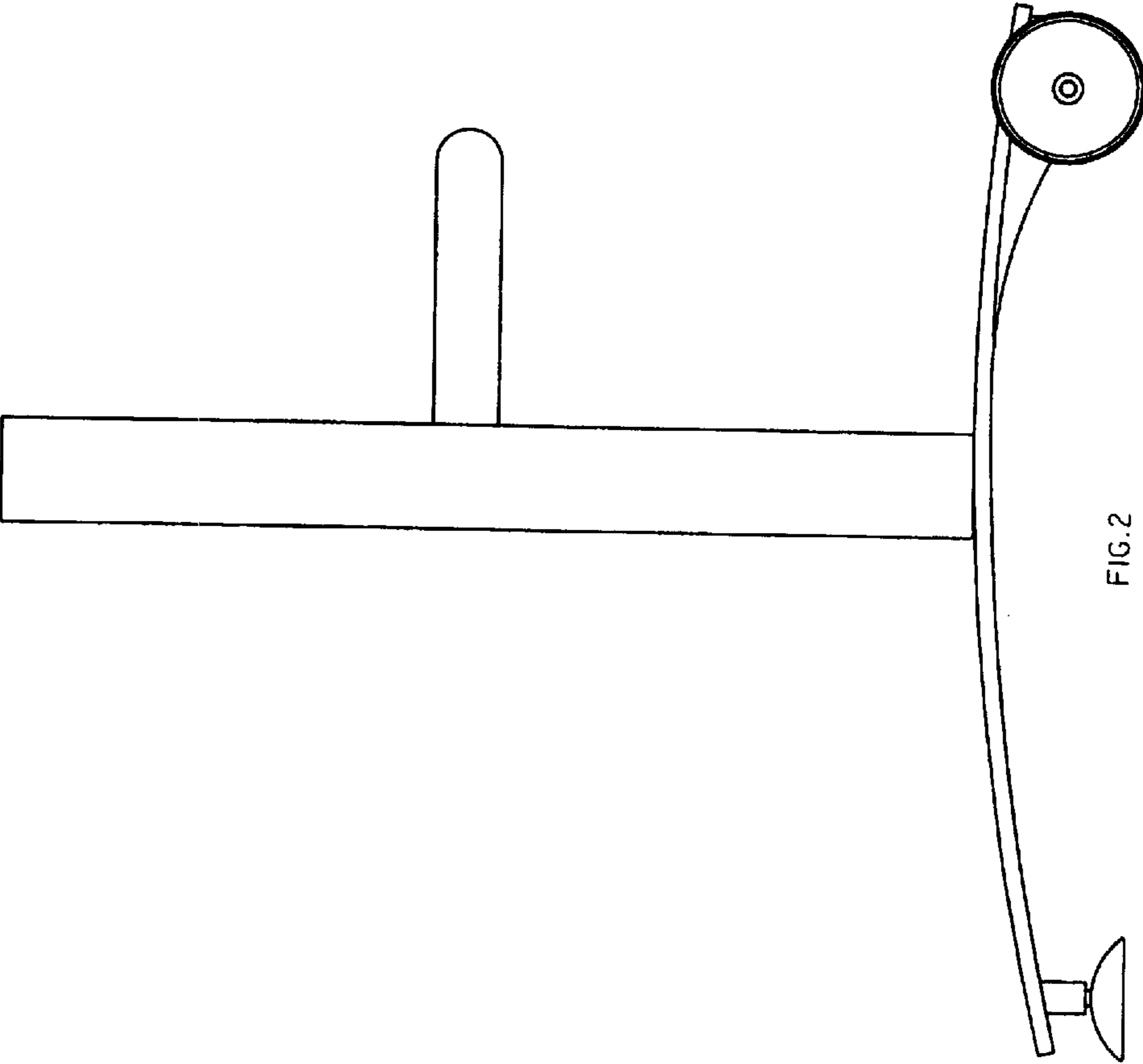


FIG. 2

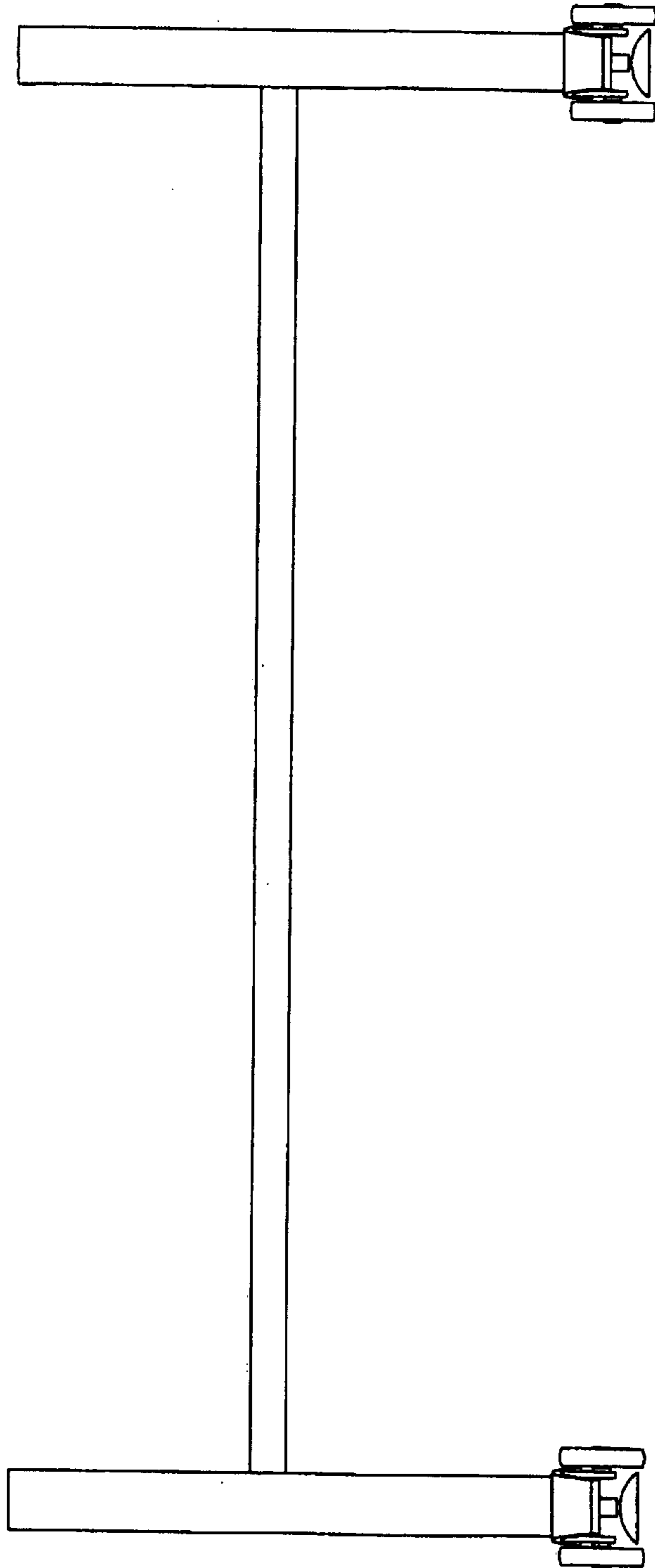


FIG. 3

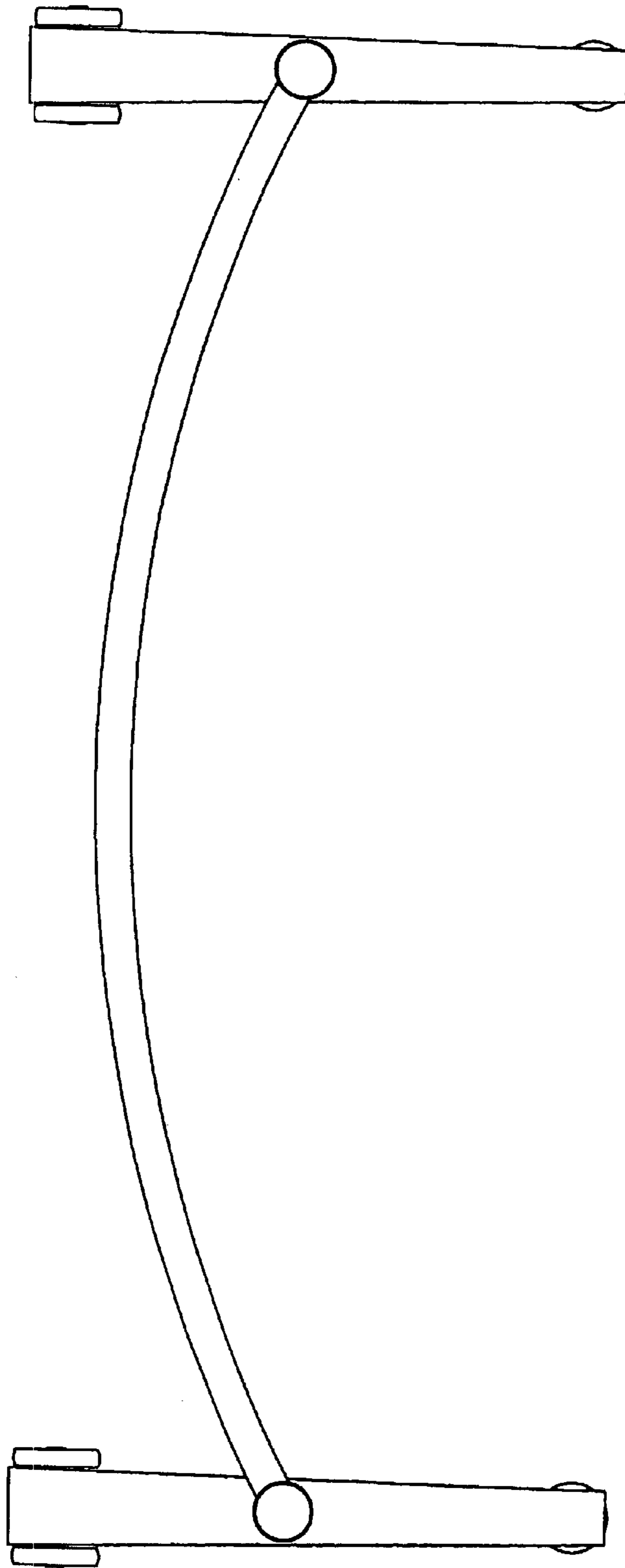


FIG. 4