



US00D544731S

(12) **United States Design Patent**
Su

(10) **Patent No.:** **US D544,731 S**

(45) **Date of Patent:** **** Jun. 19, 2007**

(54) **CHAIR BASE**

(76) **Inventor:** **Tung-Hua Su**, No. 6, Sec 3, Bao Ta Road, Kuwi Jen Hsiang, Tainan County (TW)

(**) **Term:** **14 Years**

(21) **Appl. No.:** **29/249,101**

(22) **Filed:** **Sep. 20, 2006**

(51) **LOC (8) Cl.** **06-06**

(52) **U.S. Cl.** **D6/498**

(58) **Field of Classification Search** D6/334-336, D6/364, 365, 366, 367, 498, 500-502; 248/188.7; 297/344.18, 358, 411.2, 411.28, 463.1
See application file for complete search history.

(56) **References Cited**

U.S. PATENT DOCUMENTS

D467,452 S *	12/2002	Lee	D6/498
D469,283 S *	1/2003	Chen	D6/498
D470,691 S *	2/2003	Chen	D6/498
D489,541 S *	5/2004	Su	D6/366
D508,806 S *	8/2005	Egger	D6/498

D510,202 S *	10/2005	Chadwick et al.	D6/366
D512,232 S *	12/2005	Wu	D6/366
D525,461 S *	7/2006	Egger	D6/498
D525,462 S *	7/2006	Egger	D6/498

* cited by examiner

Primary Examiner—Mimosa De
(74) *Attorney, Agent, or Firm*—Banger Shia

(57) **CLAIM**

The ornamental design for a chair base, as shown.

DESCRIPTION

FIG. 1 is a perspective view of a chair base showing my new design;

FIG. 2 is a front elevation view thereof;

FIG. 3 is a rear elevation view thereof;

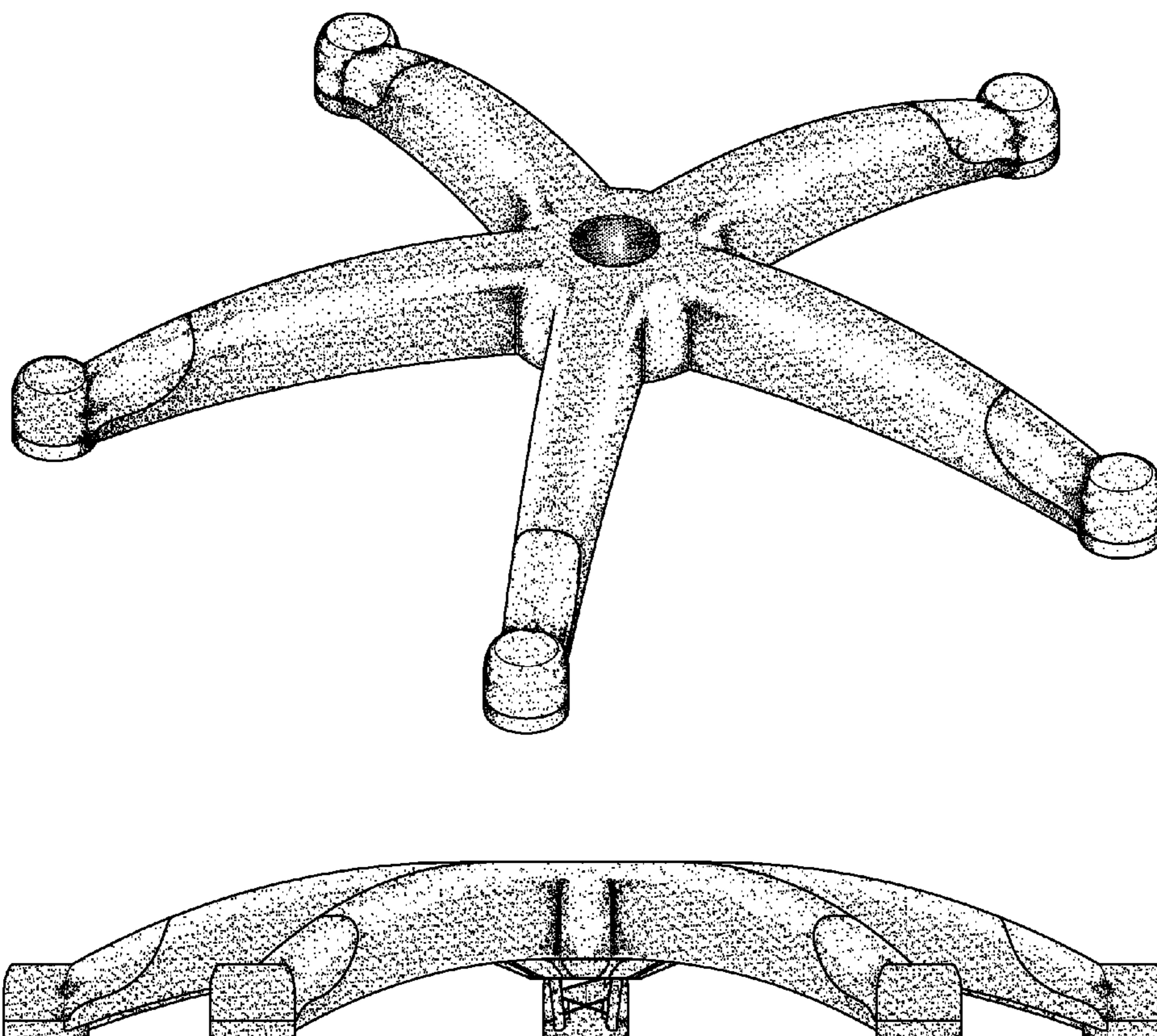
FIG. 4 is a left side elevation view thereof;

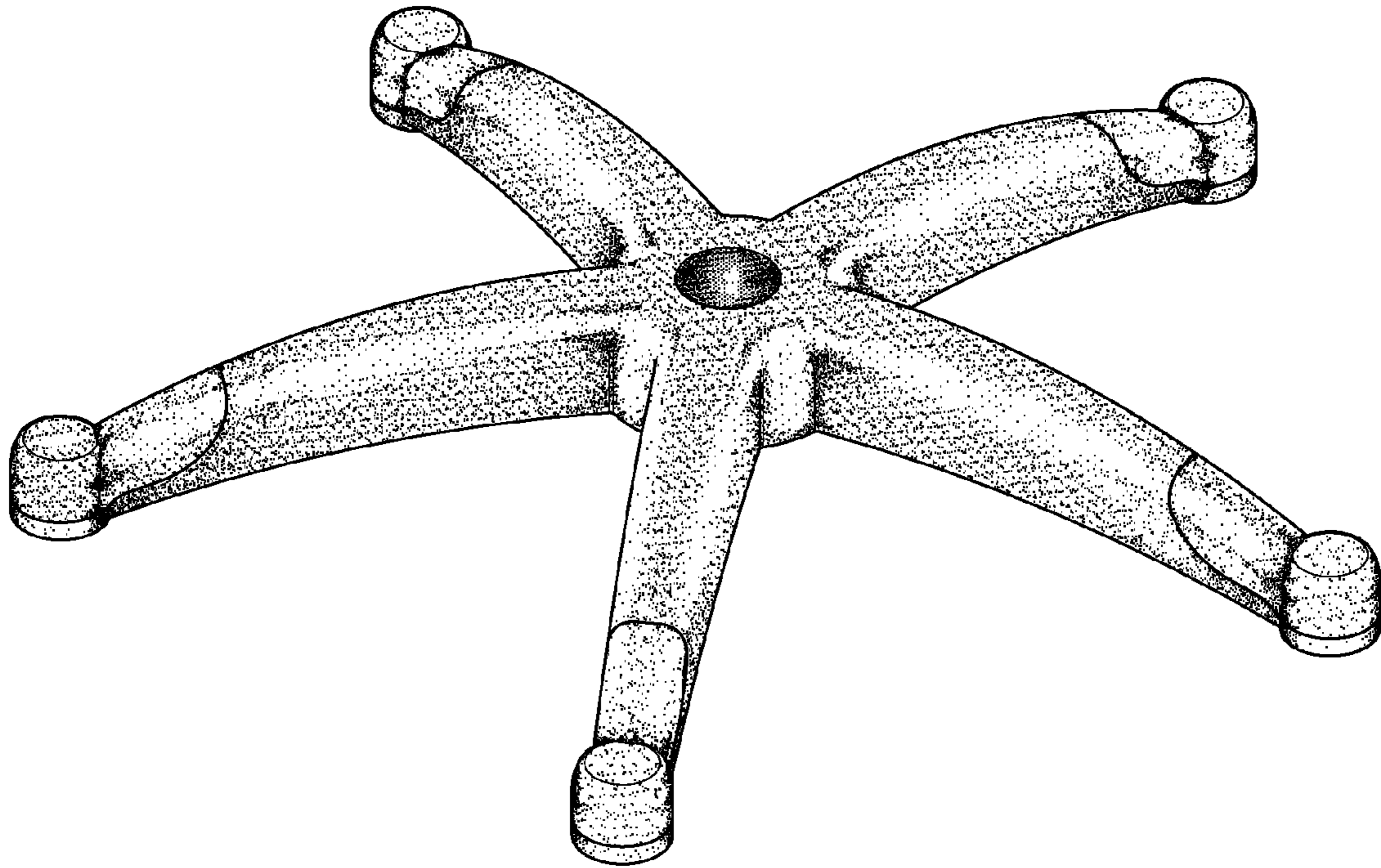
FIG. 5 is a right side elevation view thereof;

FIG. 6 is a top plan view thereof; and,

FIG. 7 is a bottom plan view thereof.

1 Claim, 5 Drawing Sheets





F I G . 1

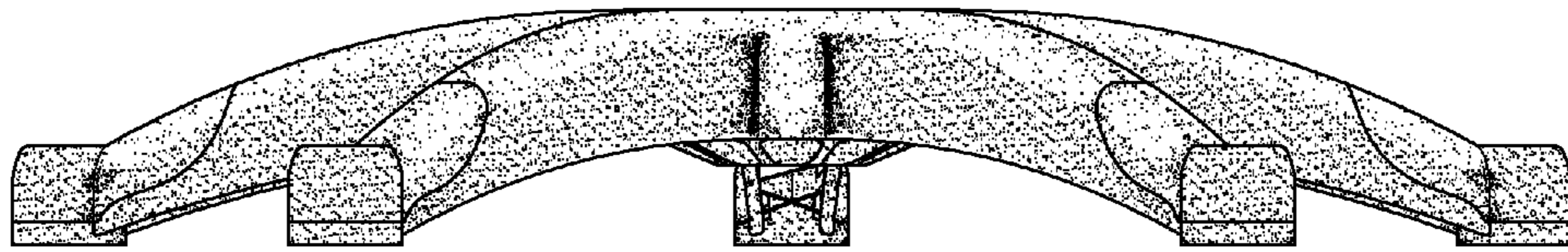


FIG. 2

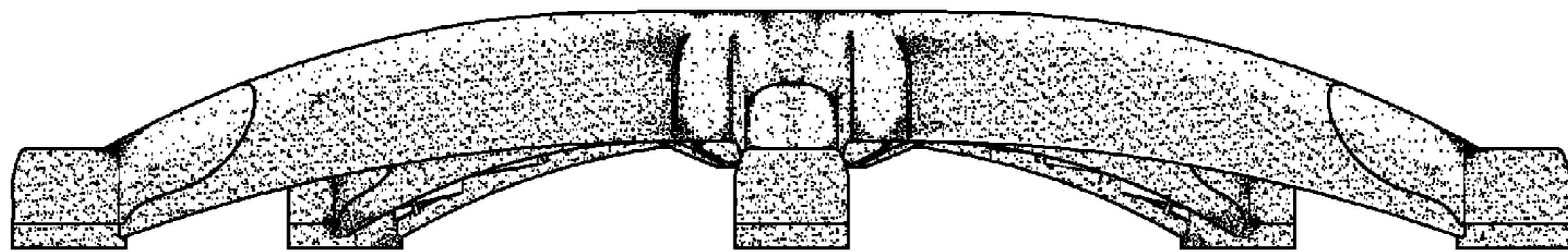
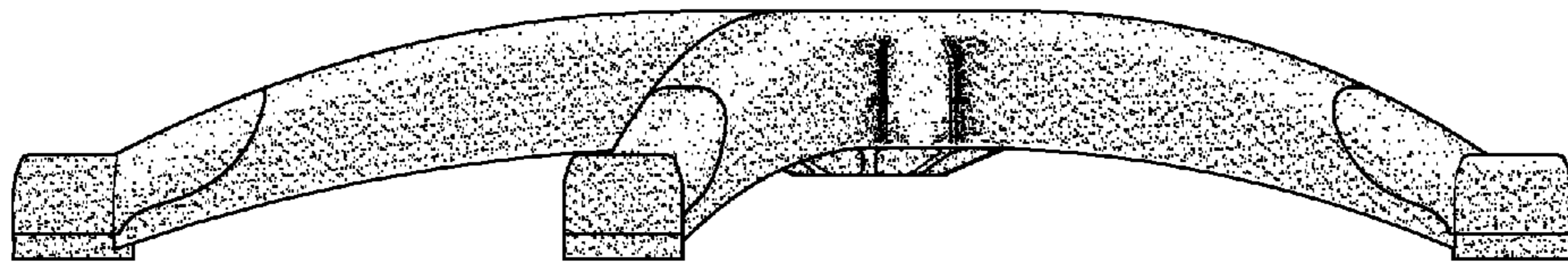
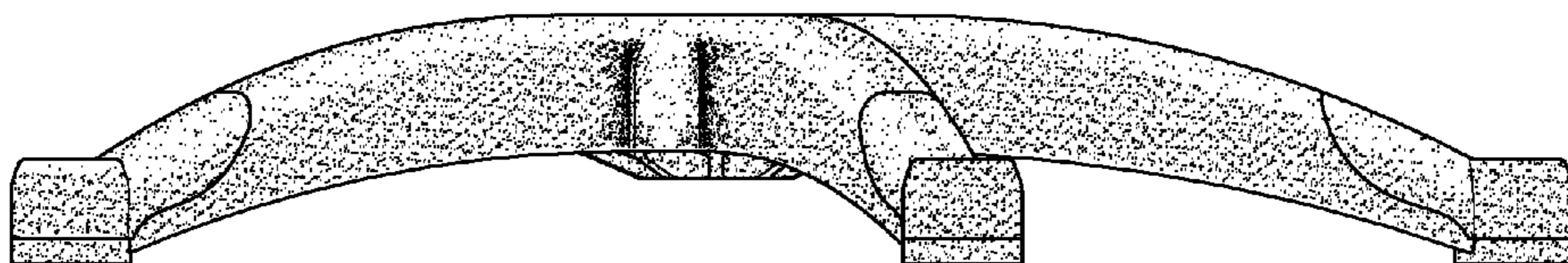


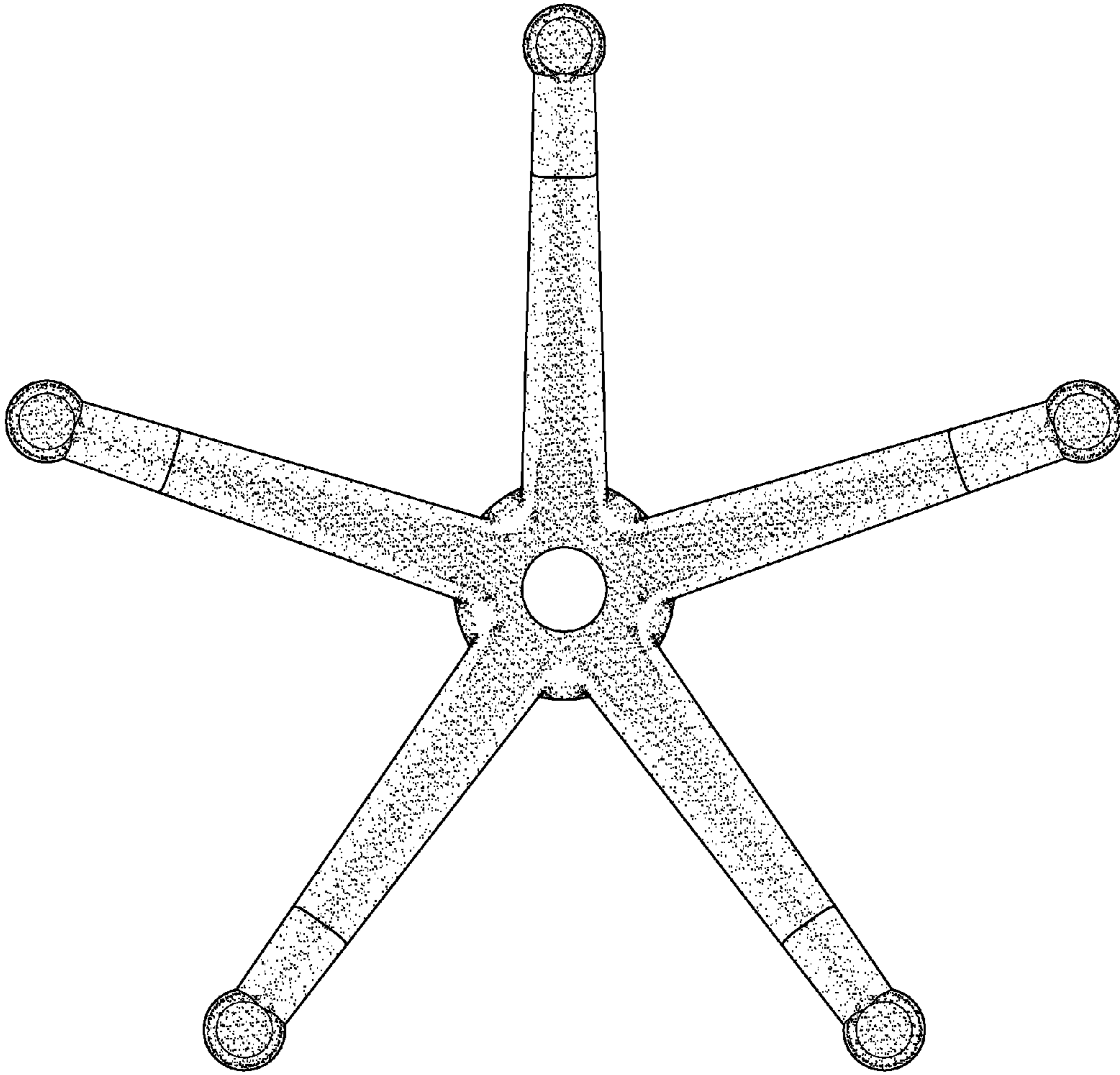
FIG. 3



F I G . 4



F I G . 5



F I G . 6

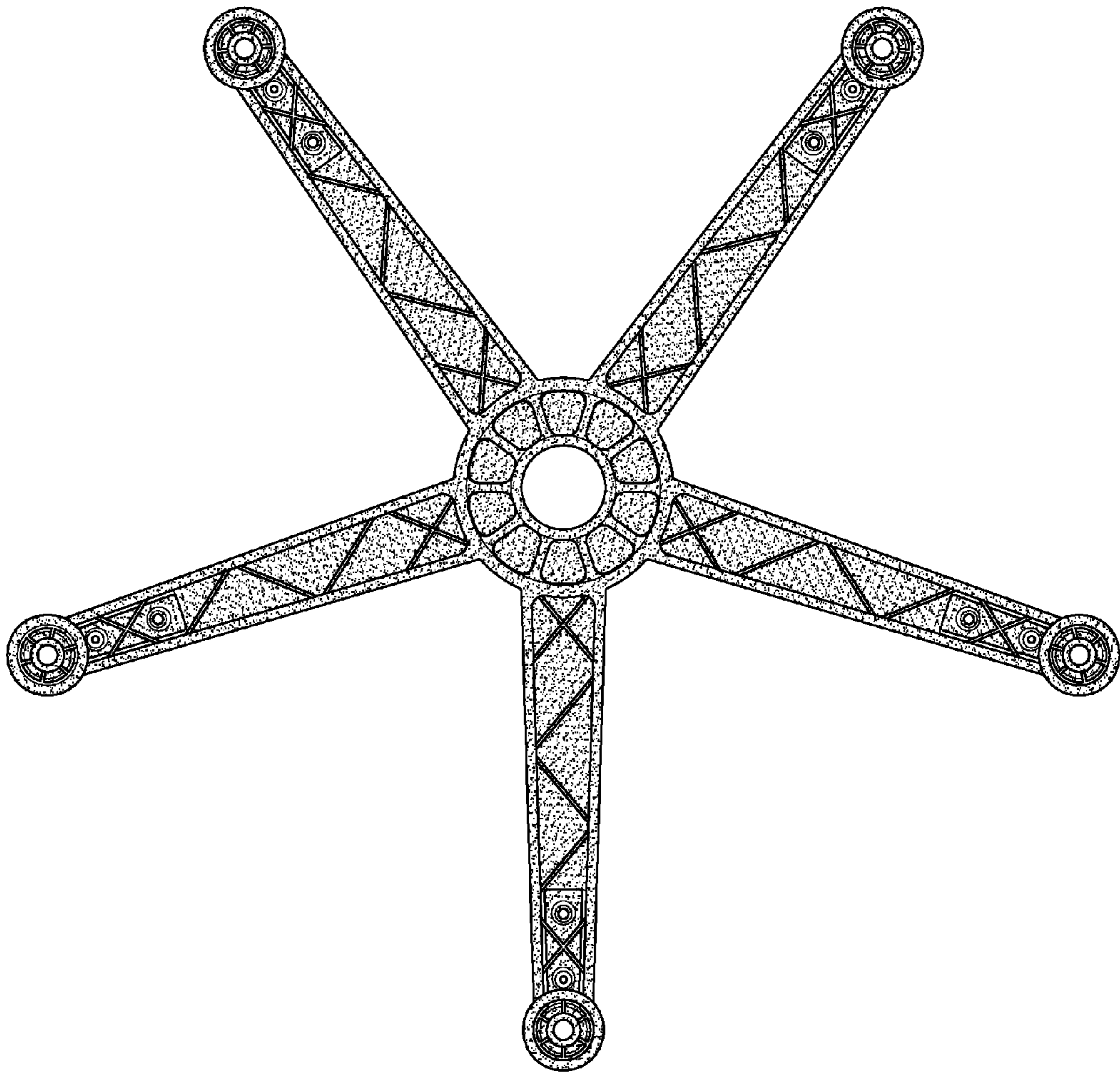


FIG. 7