



US00D544729S

(12) **United States Design Patent**
Everson

(10) **Patent No.:** **US D544,729 S**

(45) **Date of Patent:** **** Jun. 19, 2007**

(54) **TABLE**

(75) Inventor: **Terry A. Everson**, Blair, WI (US)

(73) Assignee: **Ashley Furniture Industries, Inc.**,
Arcadia, WI (US)

(**) Term: **14 Years**

(21) Appl. No.: **29/238,226**

(22) Filed: **Sep. 12, 2005**

(51) **LOC (8) Cl.** **06-03**

(52) **U.S. Cl.** **D6/480**

(58) **Field of Classification Search** D6/480-489,
D6/495-499, 511, 429-431; 108/150, 153.1,
108/155, 156, 161, 83; 248/188, 188.1, 188.8
See application file for complete search history.

(56) **References Cited**

U.S. PATENT DOCUMENTS

D334,312 S	3/1993	Glass	
D353,961 S	1/1995	Deluca	
D355,316 S	2/1995	Kellen	
D414,354 S	9/1999	Gower	
D437,504 S *	2/2001	Giron D6/397
D453,083 S *	1/2002	Hokanson D6/484
D507,434 S	7/2005	Mohundro	
D531,431 S *	11/2006	Domack et al. D6/480

OTHER PUBLICATIONS

Ashley Product Catalog, Spring 2003, vol. 5, Series 1, Sormani
T149-13, p. 173.

Ashley Product Catalog, Spring 2003, vol. 5, Series 1, Newhouse
T208-1-3-4, p. 178.

Ashley Product Catalog, Spring 2003, vol. 5, Series 1, Baha
T754-1-3-4, p. 379.

* cited by examiner

Primary Examiner—Janice E. Seeger

(74) *Attorney, Agent, or Firm*—Patterson, Thuente, Skaar &
Christensen, P.A.

(57) **CLAIM**

I claim the ornamental design for a table, as shown and
described.

DESCRIPTION

FIG. 1 is a perspective view of a table according to an
embodiment of the invention.

FIG. 2 is a front elevational view of a table according to an
embodiment of the invention, the opposite side being a
mirror image thereof.

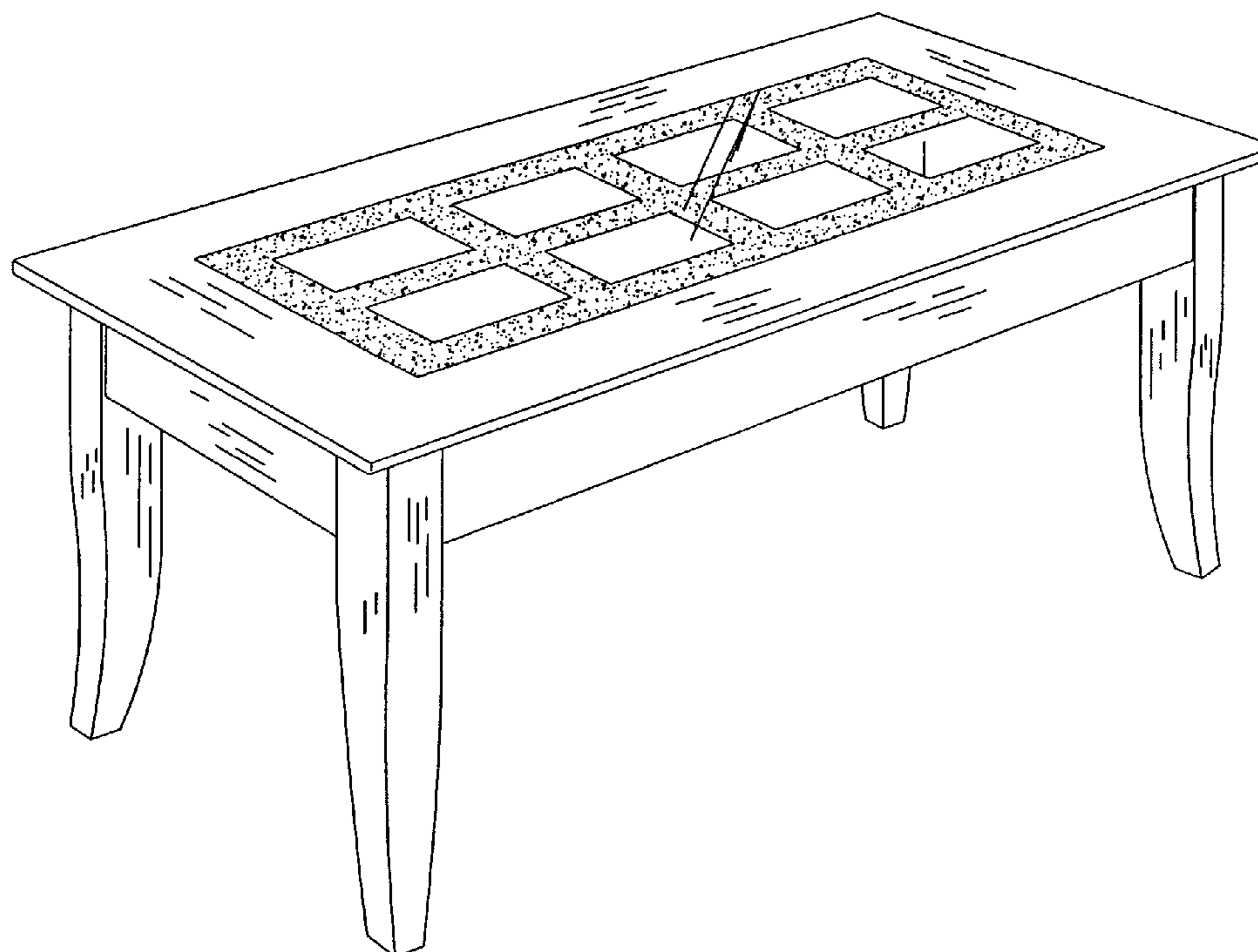
FIG. 3 is a side elevational view of a table according to an
embodiment of the invention, the opposite side being a
mirror image thereof.

FIG. 4 is a top plan view of a table according to an
embodiment of the invention; and,

FIG. 5 is a perspective view of a table showing a second
embodiment of the invention.

The stippled region in the figures indicates areas that are
grey.

1 Claim, 5 Drawing Sheets



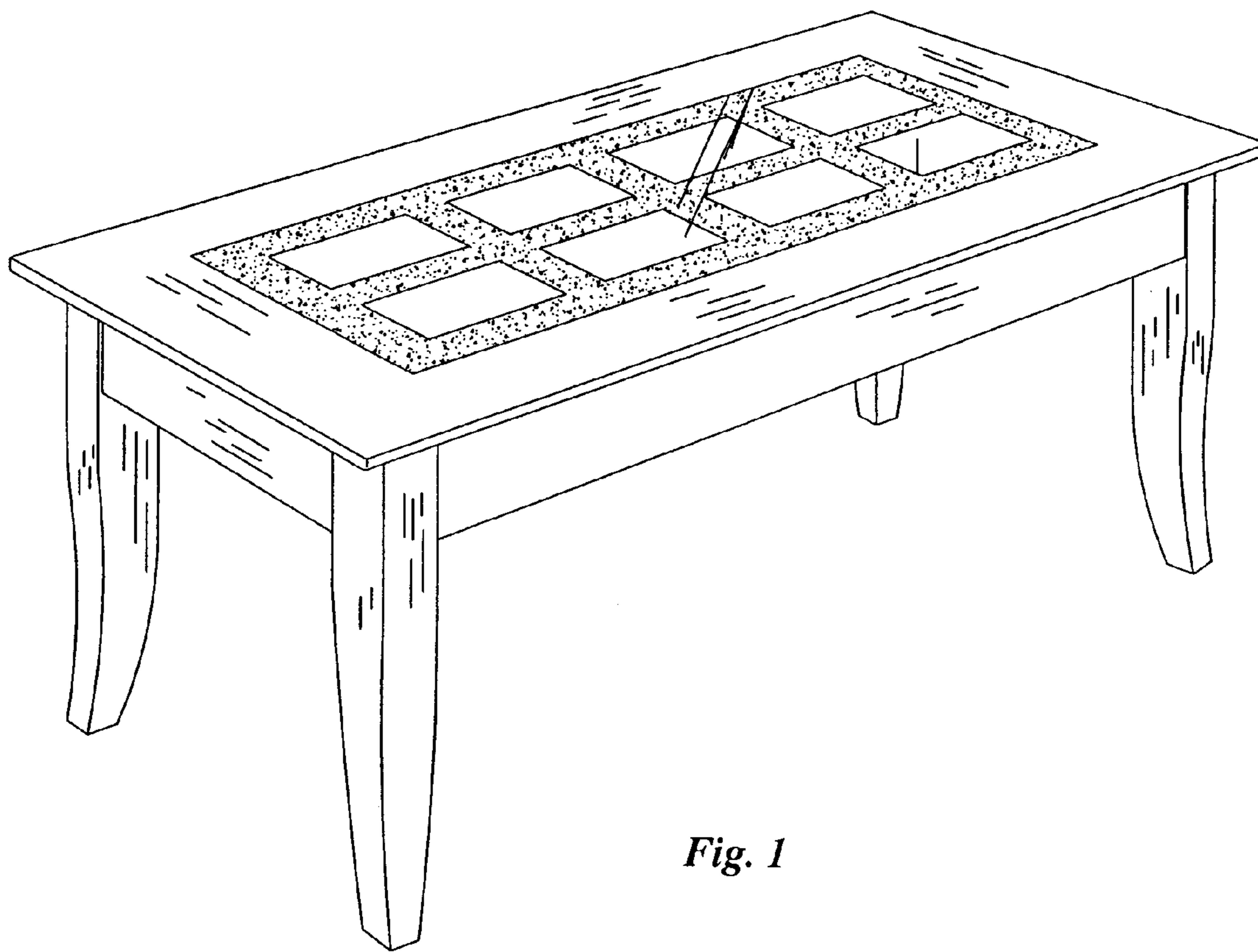


Fig. 1

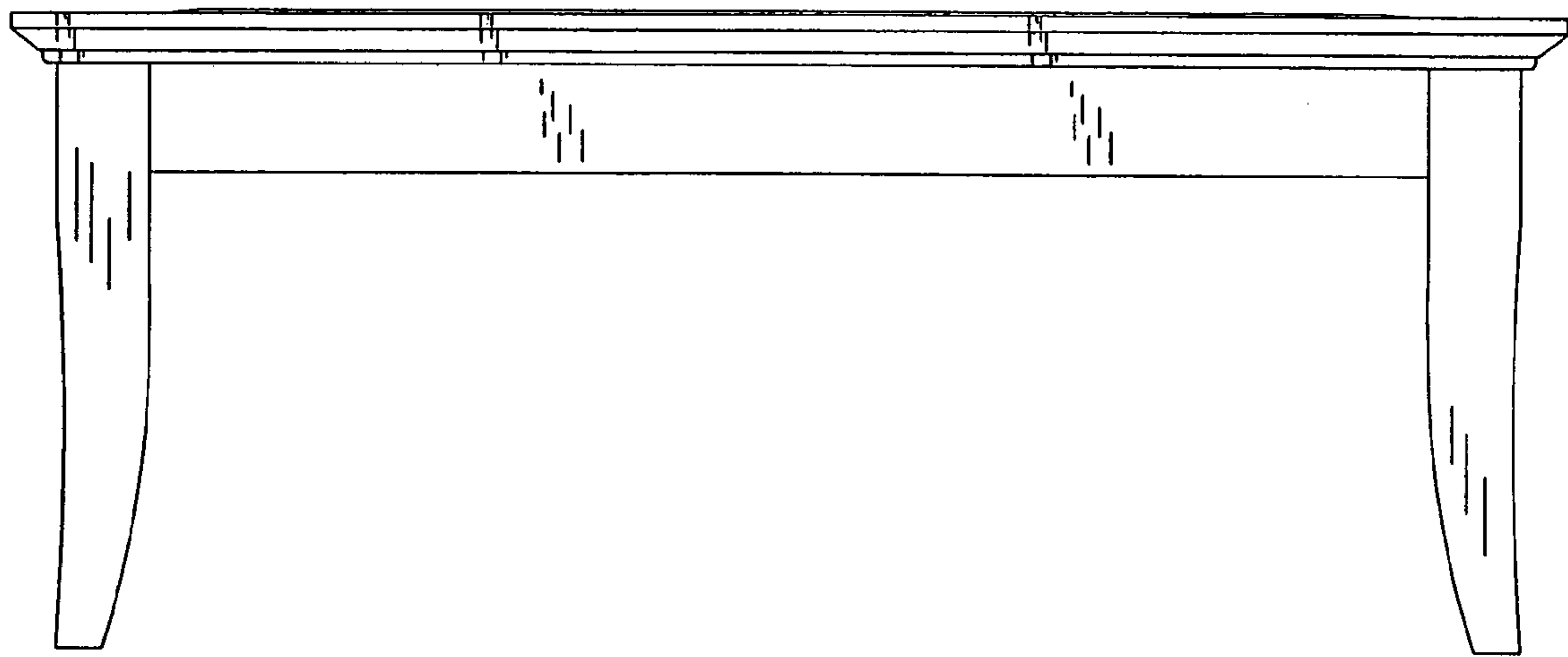


Fig. 2

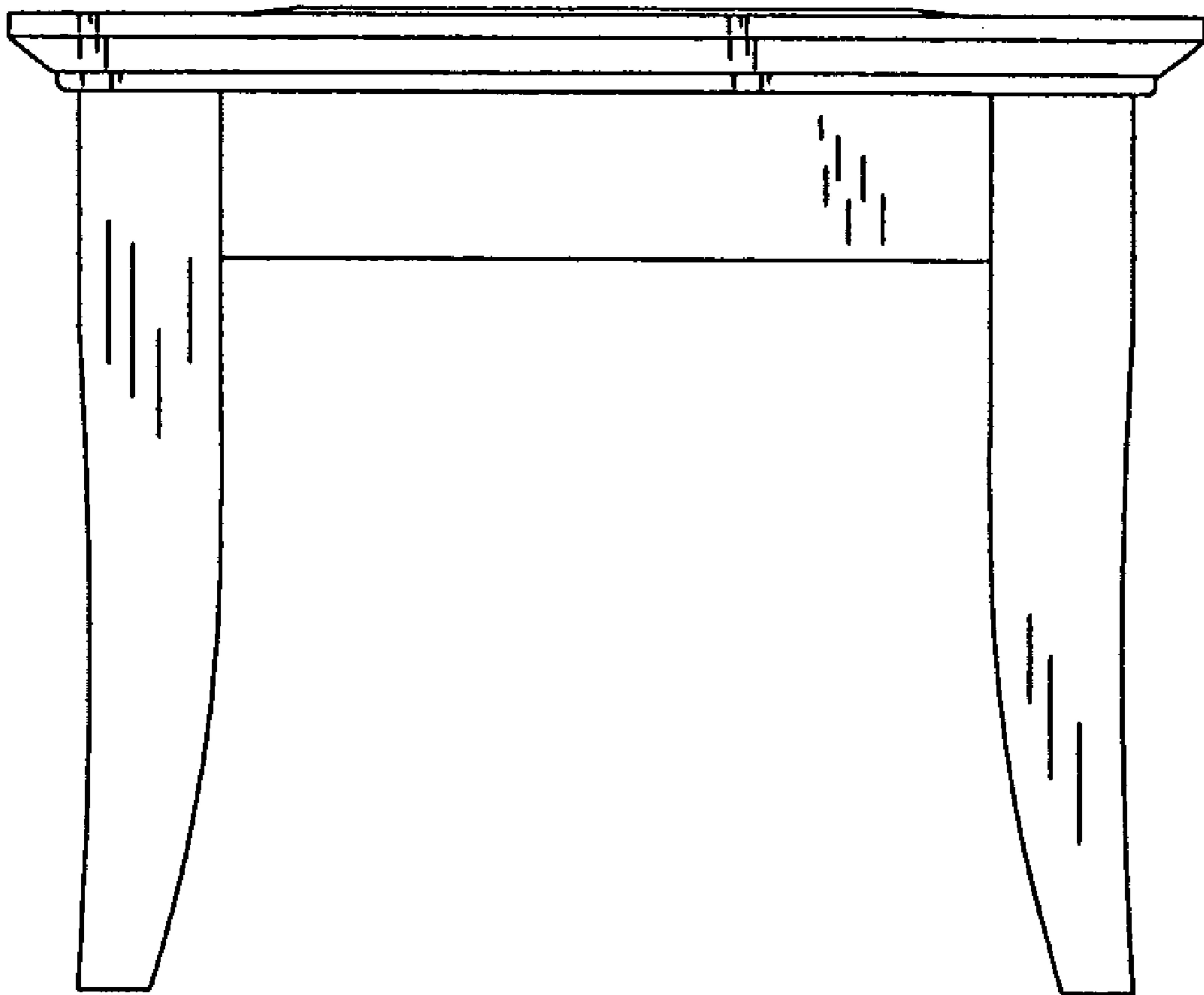


Fig. 3

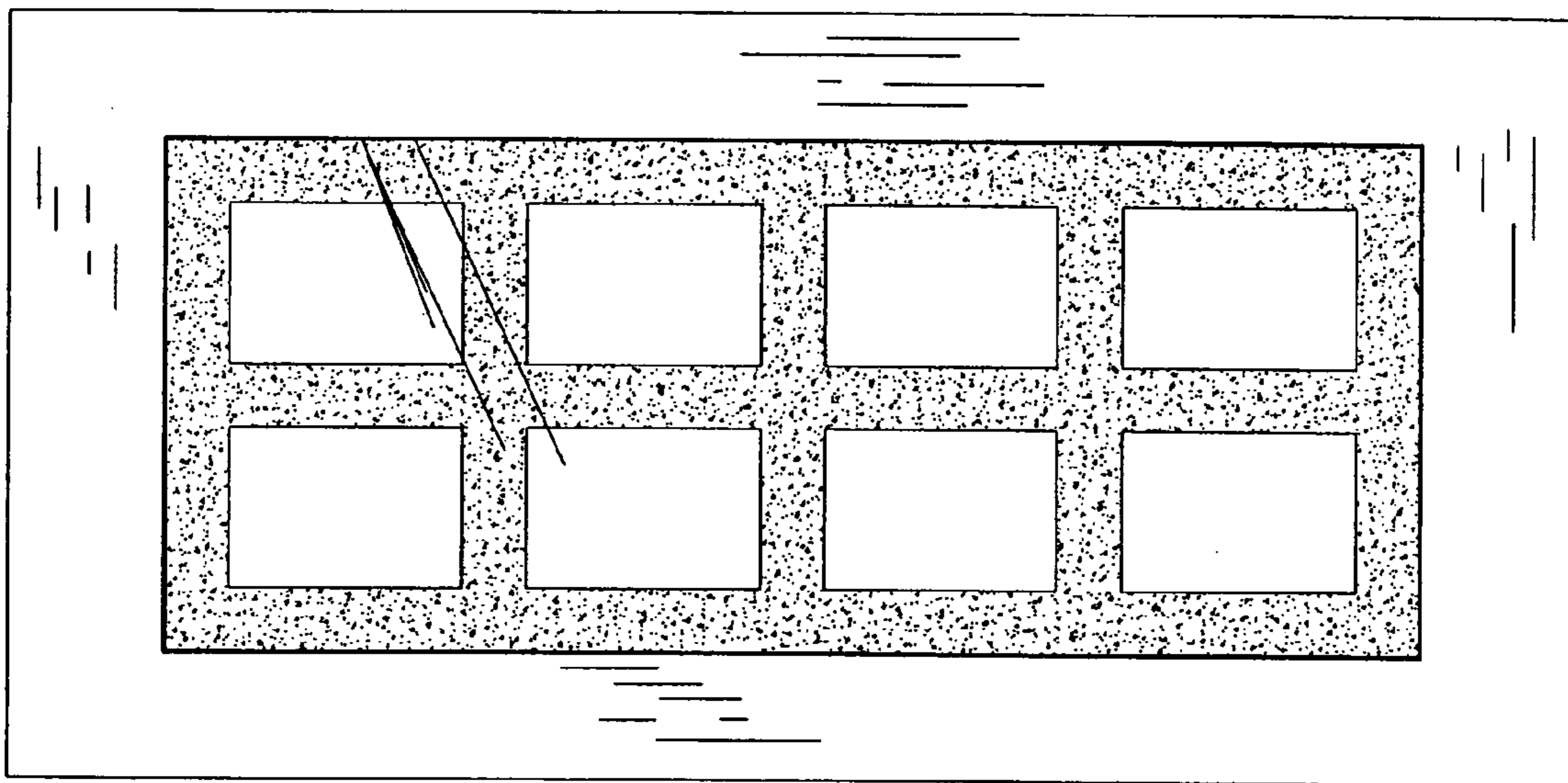


Fig. 4

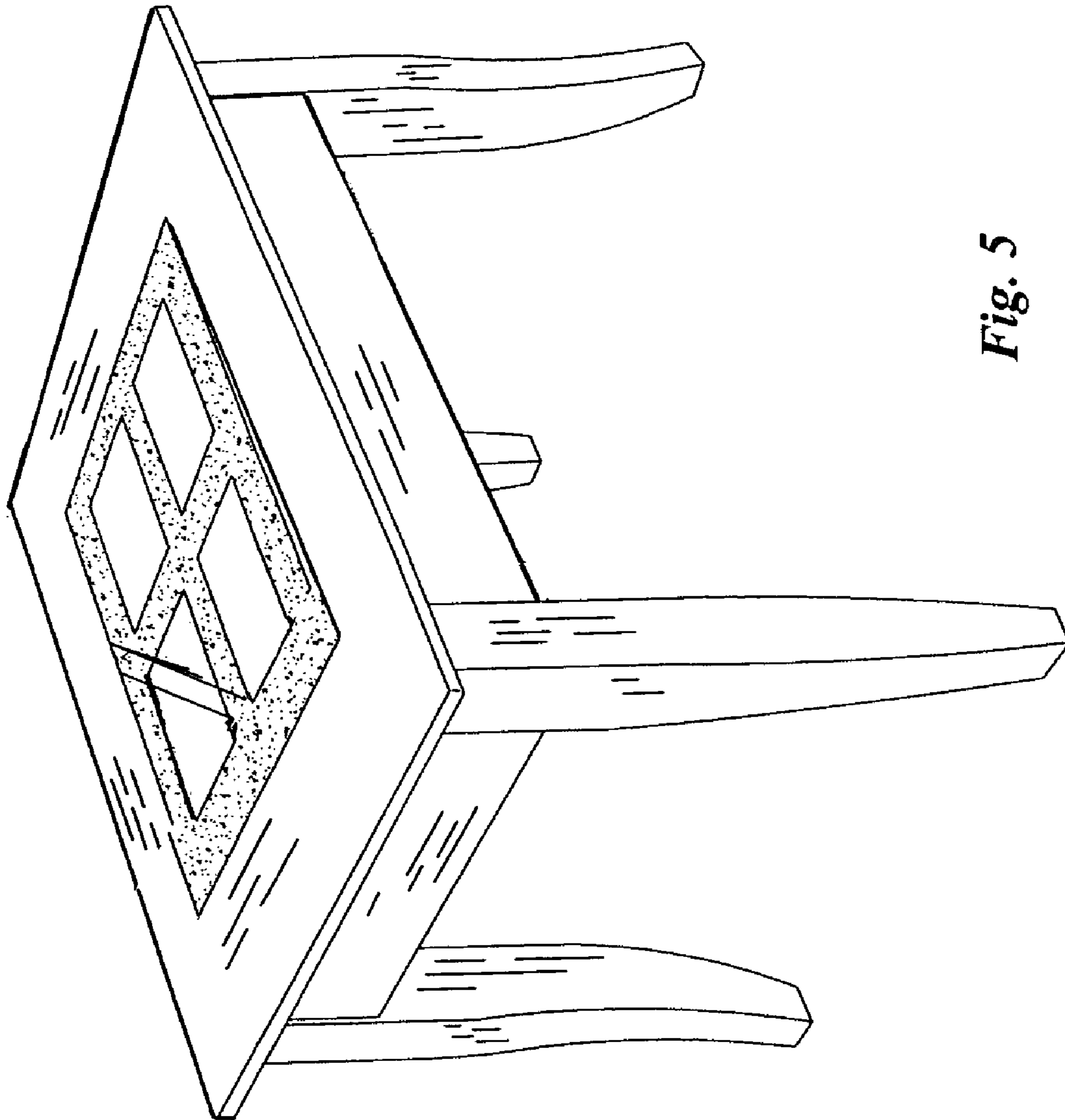


Fig. 5