

US00D544727S

(12) **United States Design Patent**
Valdez et al.

(10) **Patent No.:** **US D544,727 S**
(45) **Date of Patent:** **** Jun. 19, 2007**

(54) **BASEBALL DISPLAY STAND**
(76) Inventors: **Dominic M. Valdez**, 12120 Oregon Ave., Chino, CA (US) 91710; **Yolanda Valdez**, 12120 Oregon Ave., Chino, CA (US) 91710

(**) Term: **14 Years**

(21) Appl. No.: **29/226,094**

(22) Filed: **Mar. 24, 2005**

(51) **LOC (8) Cl.** **06-04**

(52) **U.S. Cl.** **D6/466; D6/552**

(58) **Field of Classification Search** D6/449, D6/466, 469, 512, 532, 552; 211/13.1, 14; D8/71; D7/61, 601, 611, 619, 620; 248/311.2, 248/311.3; D12/419; D19/61
See application file for complete search history.

(56) **References Cited**

U.S. PATENT DOCUMENTS

2,754,078	A	*	7/1956	Koger et al.	248/311.2
D280,263	S	*	8/1985	Hoye	D12/419
D299,897	S	*	2/1989	Rasmussen	D7/619.1
D304,670	S	*	11/1989	Johnson	D8/71
4,892,197	A		1/1990	Slattery et al.		
D314,162	S		1/1991	Long		
5,318,266	A	*	6/1994	Liu	248/311.2
D371,279	S	*	7/1996	Marguerie	D7/620
D391,100	S		2/1998	Hawkersmith		
D397,887	S		9/1998	Hawkersmith		
D400,052	S	*	10/1998	Thomas	D7/601
6,016,910	A		1/2000	Rodearmel		
6,026,969	A		2/2000	Okui		

D460,638	S		7/2002	Tamburello		
D475,879	S	*	6/2003	Thomas	D6/552
6,581,895	B1		6/2003	Pleasant		
D491,747	S		6/2004	Walters		
D492,506	S		7/2004	Mendini		
D493,309	S		7/2004	Moss et al.		
D493,638	S		8/2004	Peyker		
D499,903	S		12/2004	Zanghi et al.		
D501,229	S		1/2005	Meeks		
D502,338	S		3/2005	Zanghi et al.		
D506,223	S	*	6/2005	Green et al.	D19/61
D512,272	S	*	12/2005	Avrish	D7/601

* cited by examiner

Primary Examiner—Robert M. Spear
Assistant Examiner—Mary Ann Calabrese

(57) **CLAIM**

The ornamental design for a baseball display stand, as shown and described.

DESCRIPTION

The present invention is related to a display stand comprising an inclined holder plate with an opening configured for supporting and displaying a collectible baseball.

FIG. 1 is a perspective view of the display stand of the present design, with a baseball shown in broken line for purposes of illustration only and forming no part of the claimed design;

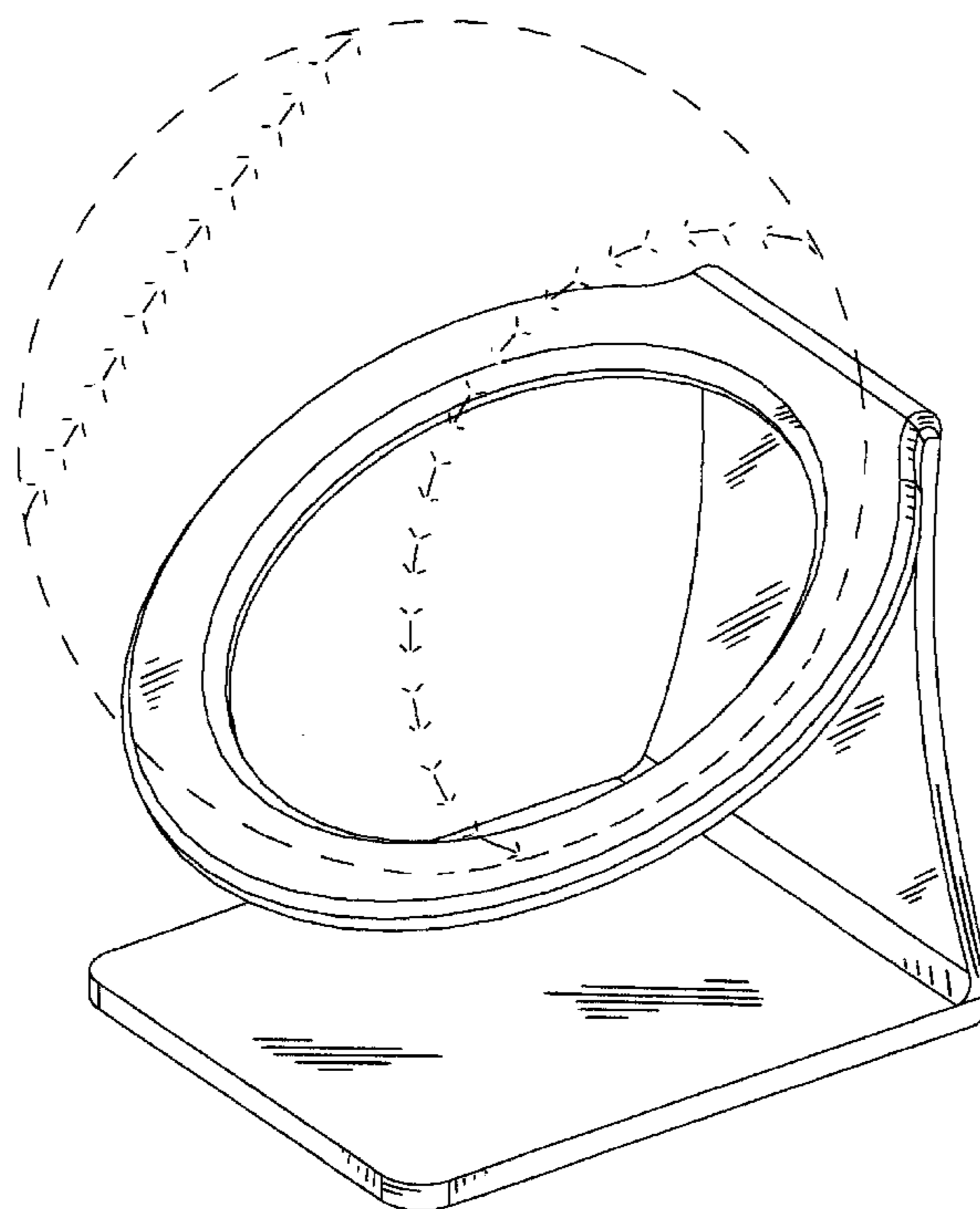
FIG. 2 is a top plan view of the display stand thereof;

FIG. 3 is a side elevational view of the display stand thereof;

FIG. 4 is a front elevational view of the display stand thereof; and,

FIG. 5 is a rear elevational view of the display stand thereof.

1 Claim, 5 Drawing Sheets



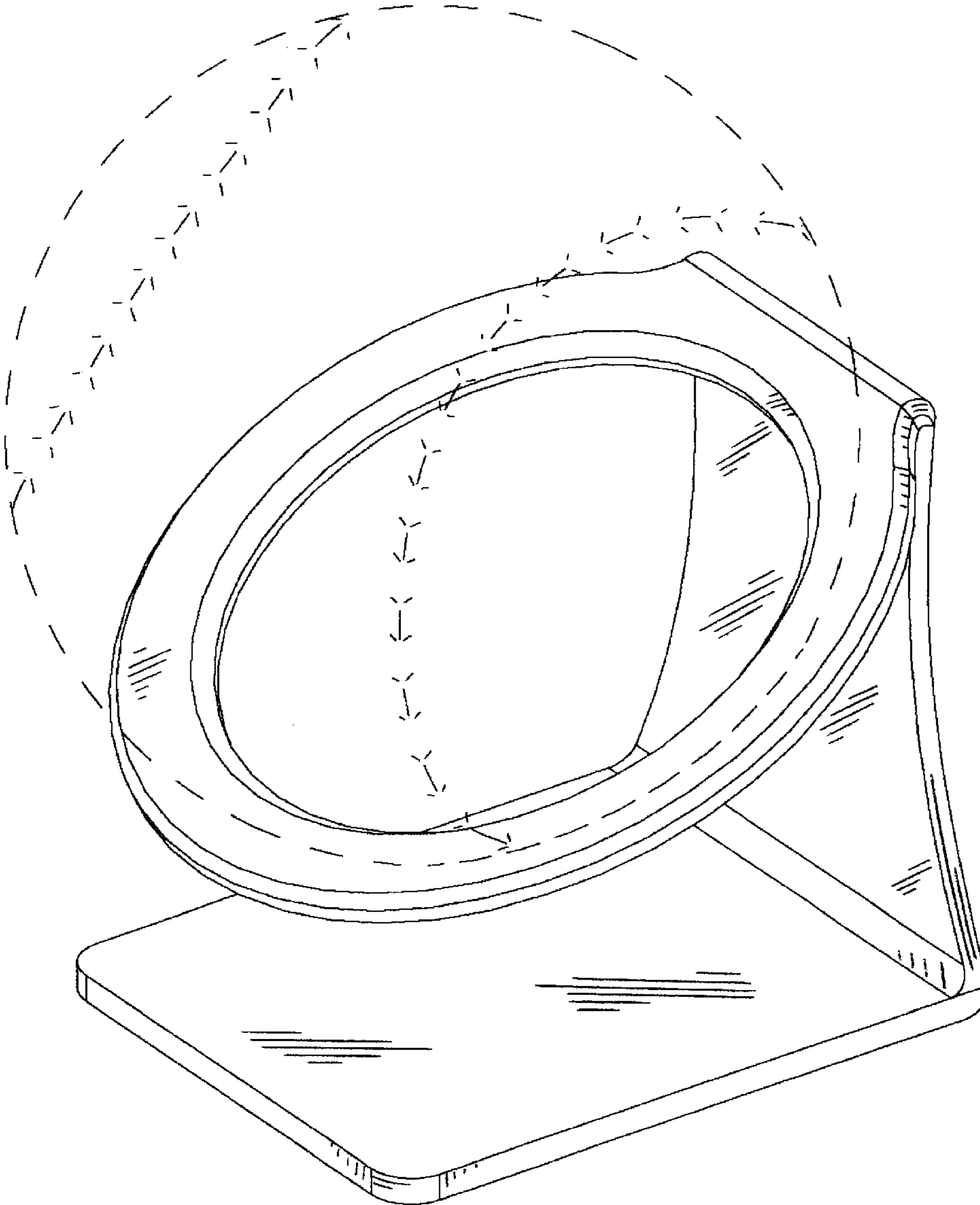


FIG. 1

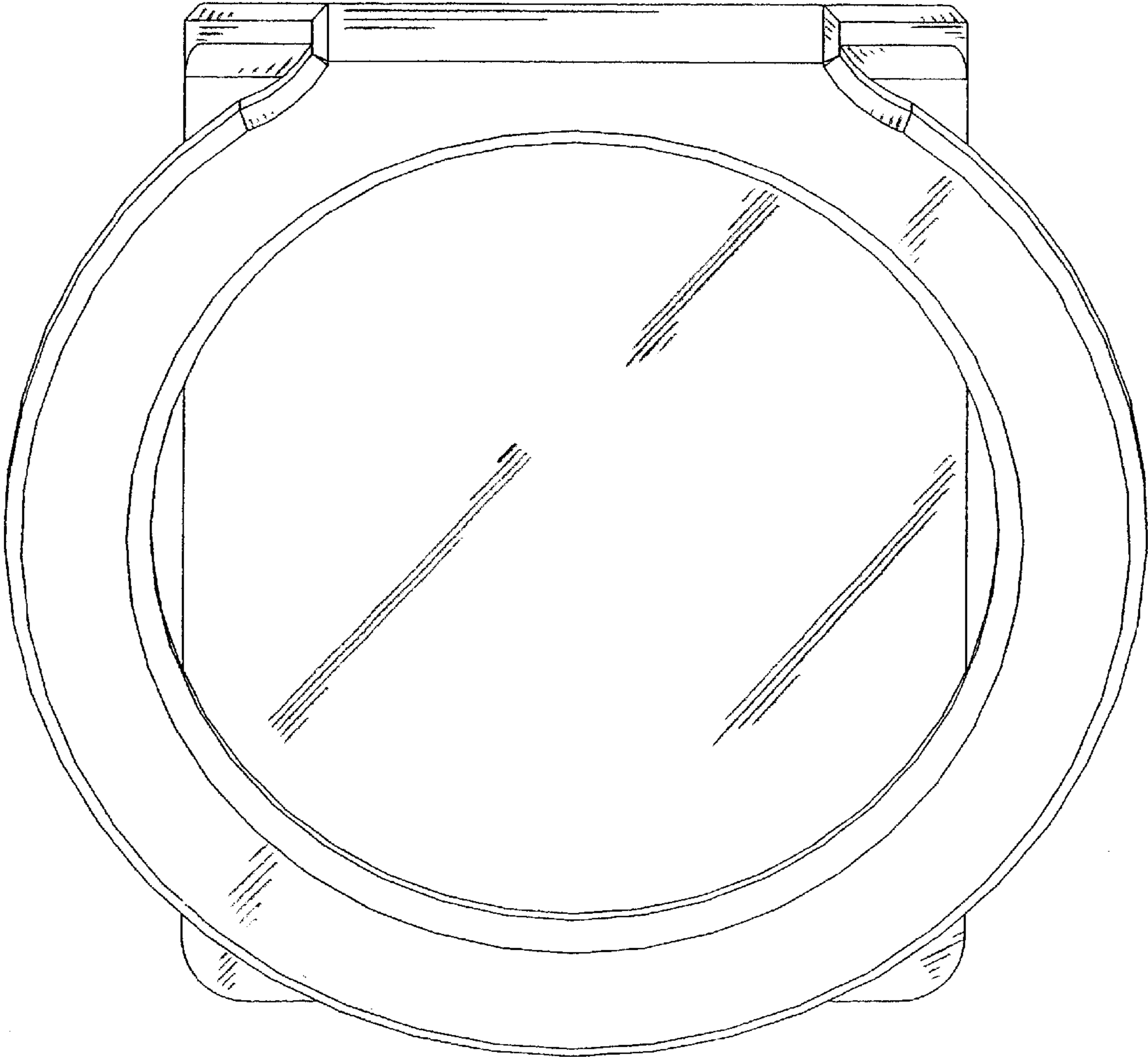


FIG. 2

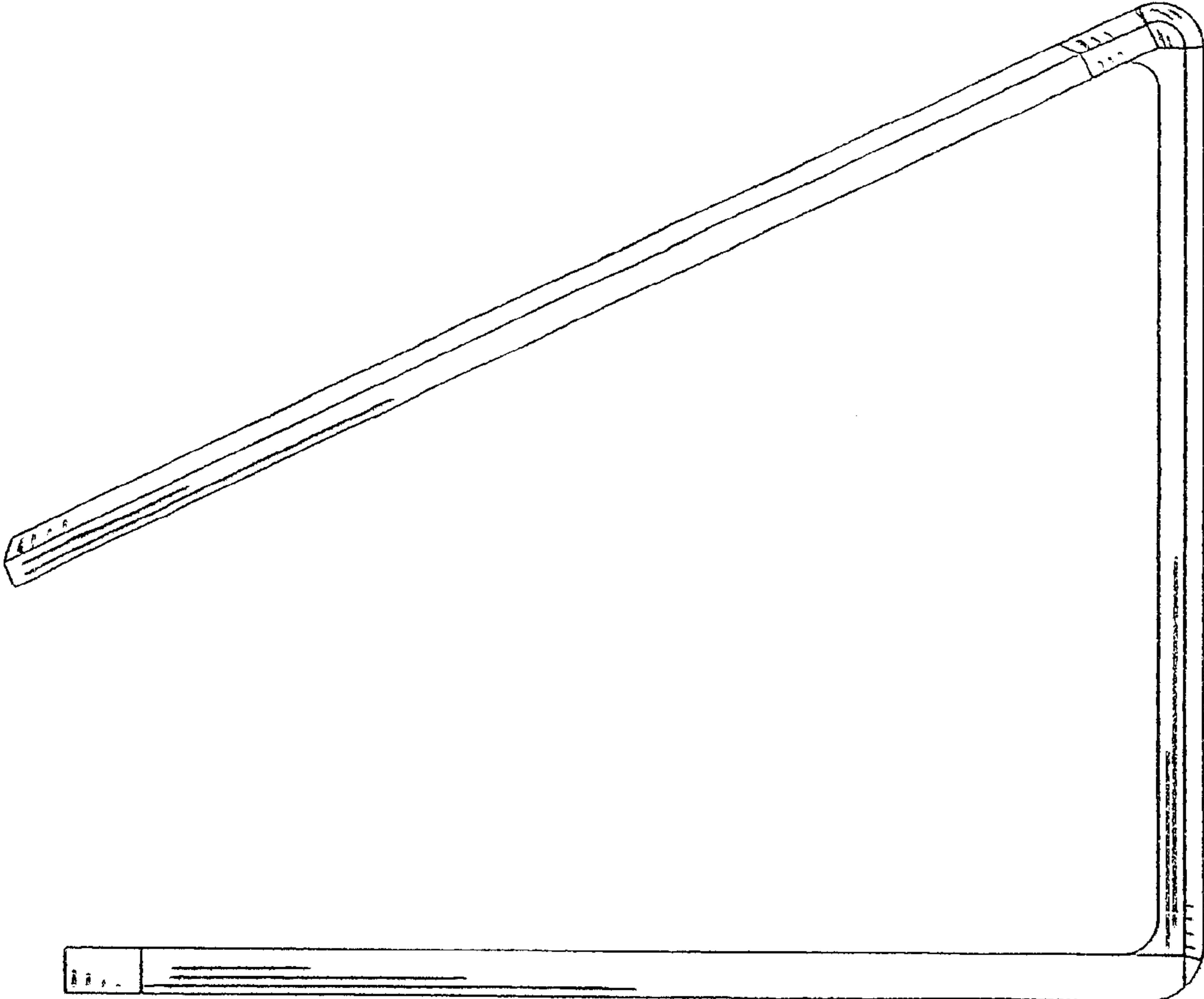


FIG. 3

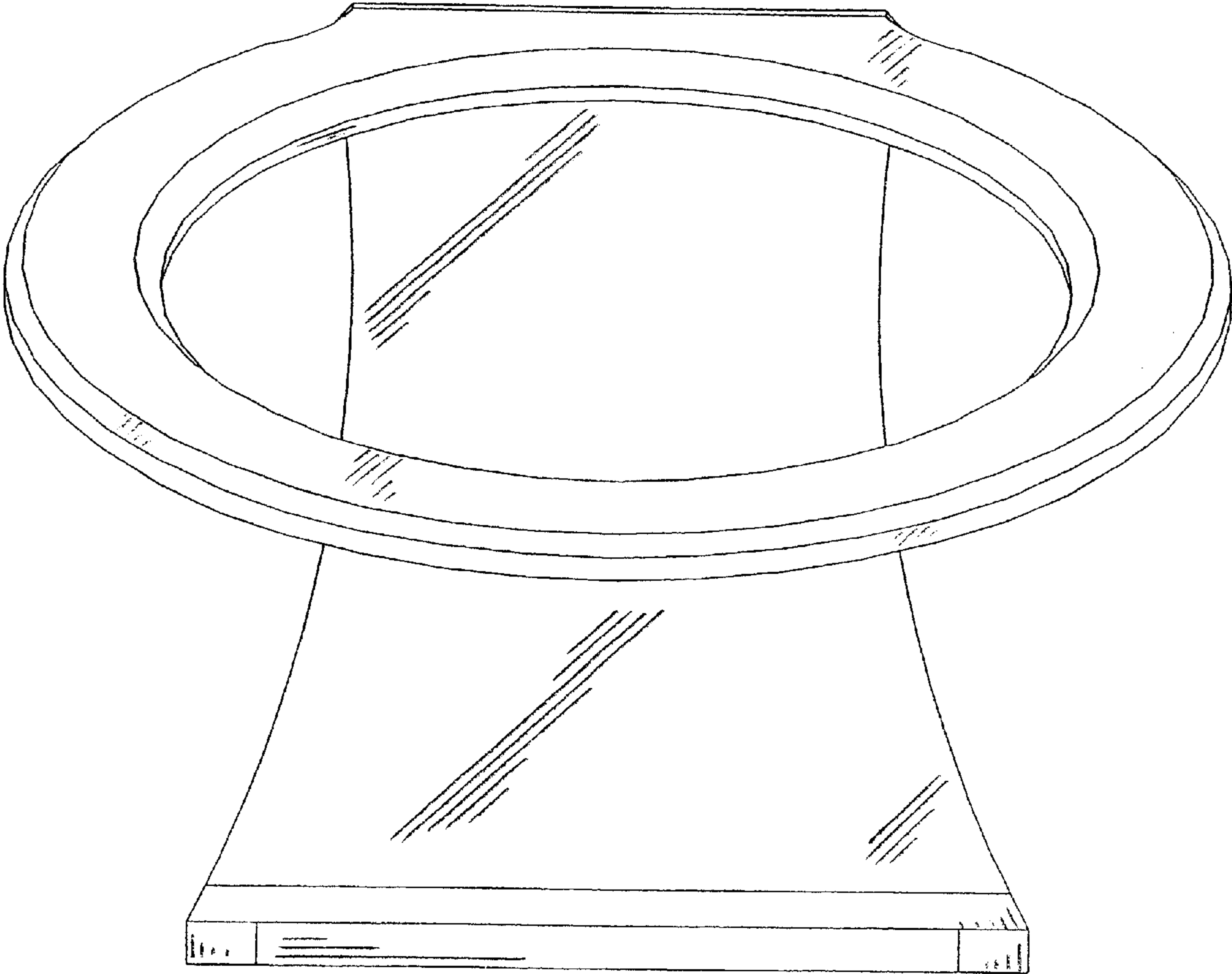


FIG. 4

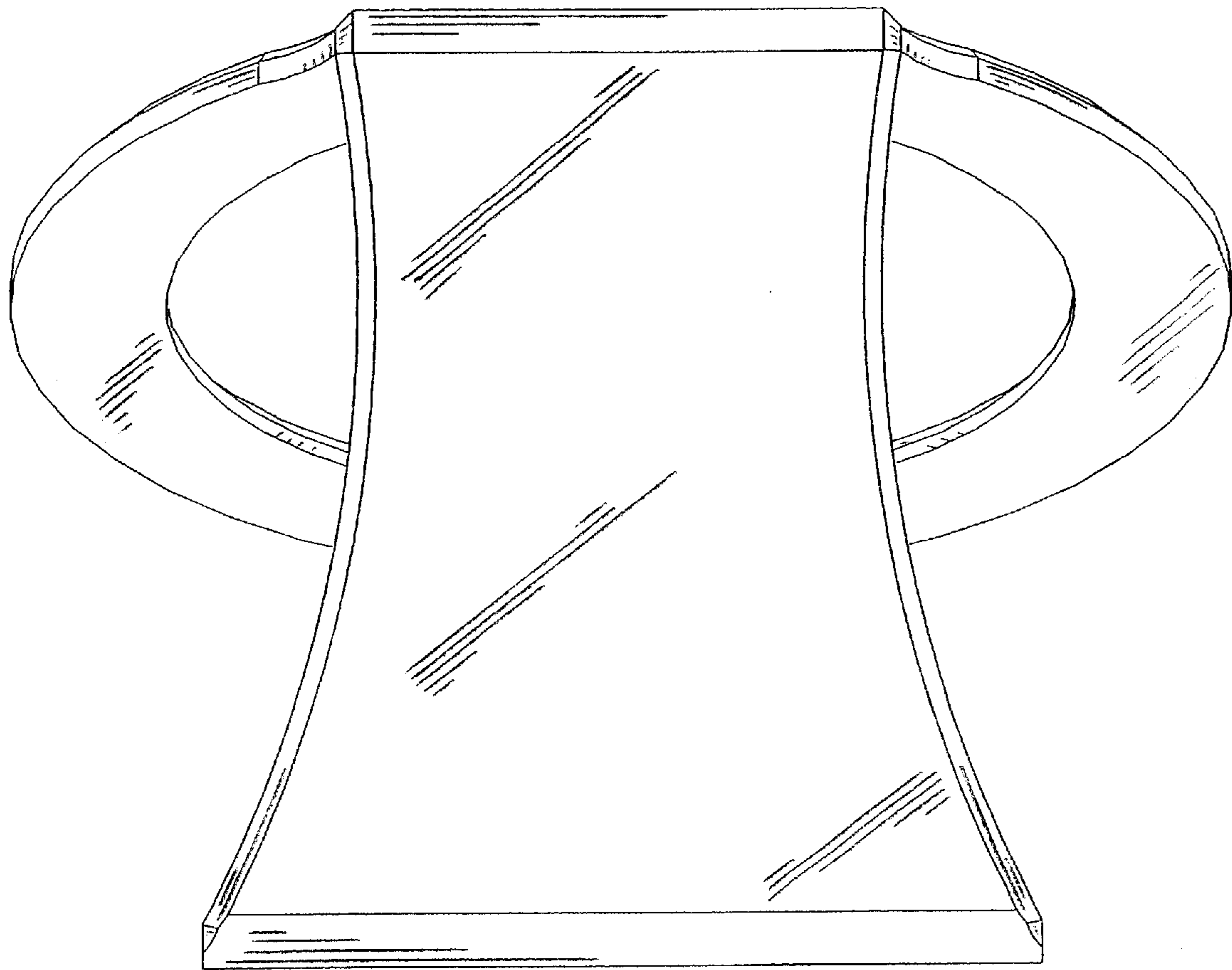


FIG. 5