



US00D544726S

(12) **United States Design Patent**  
**Cauley et al.**

(10) **Patent No.: US D544,726 S**  
(45) **Date of Patent: \*\* Jun. 19, 2007**

(54) **SHELVING/DISPLAY UNIT**

**DESCRIPTION**

(76) Inventors: **Christopher W. Cauley**, 705 Carla Dr., Booneville, MO (US) 65233; **Dennis W. Cauley**, 705 Carla Dr., Booneville, MO (US) 65233

(\*\*) Term: **14 Years**

(21) Appl. No.: **29/226,970**

(22) Filed: **Apr. 5, 2005**

(51) **LOC (8) Cl. .... 06-07**

(52) **U.S. Cl. .... D6/396**

(58) **Field of Classification Search** ..... D6/300-314, D6/444, 396; 40/700, 720, 735, 768, 737, 40/745, 750, 765, 790, 798; 359/838, 871, 359/882, 872; D11/131; 301/8; D12/500; 446/465; 152/154.2; 156/110.1; 211/87.01, 211/134, 1

See application file for complete search history.

(56) **References Cited**

**U.S. PATENT DOCUMENTS**

D52,510 S \* 10/1918 Doherty ..... D6/303

(Continued)

**OTHER PUBLICATIONS**

E-bay website printout of a "Jeff Gordon Race Used Tire Picture Frame", auction item No. 5174628696; printed Mar. 16, 2005; 2 pages.

*Primary Examiner*—Janice E. Seeger

*Assistant Examiner*—Sydney R. Buffalow

(74) *Attorney, Agent, or Firm*—Eckert Seamans Cherin & Mellott, LLC

(57) **CLAIM**

The ornamental designs for a shelving/display unit, as shown and described.

FIG. 1 is a perspective view of a first embodiment of a shelving/display unit, said first embodiment having two shelves and lettering on the sidewall.

FIG. 2 is a front elevational view of the shelving/display unit of FIG. 1.

FIG. 3 is a rear elevational view of the shelving/display unit of FIG. 1.

FIG. 4 is a left elevational view of the shelving/display unit of FIG. 1.

FIG. 5 is a right elevational view of the shelving/display unit of FIG. 1.

FIG. 6 is a top plan view of the shelving/display unit of FIG. 1.

FIG. 7 is a bottom plan view of the shelving/display unit of FIG. 1.

FIG. 8 is a perspective view of another embodiment of a shelving/display unit, said embodiment having a single shelf and lettering on the sidewall.

FIG. 9 is a front elevational view of the shelving/display unit of FIG. 8. The rear, left, right, top, and bottom views of the shelving/display unit of FIG. 8 are identical to the rear, left, right, top, and bottom views, respectively, of the shelving/display unit of FIG. 1.

FIG. 10 is a perspective view of another embodiment of a shelving/display unit, said embodiment having a two shelves and no lettering on the sidewall.

FIG. 11 is a front elevational view of the shelving/display unit of FIG. 10.

FIG. 12 is a perspective view of another embodiment of a shelving/display unit, said embodiment having a single shelf and no lettering on the sidewall.

FIG. 13 is a front elevational view of the shelving/display unit of FIG. 12.

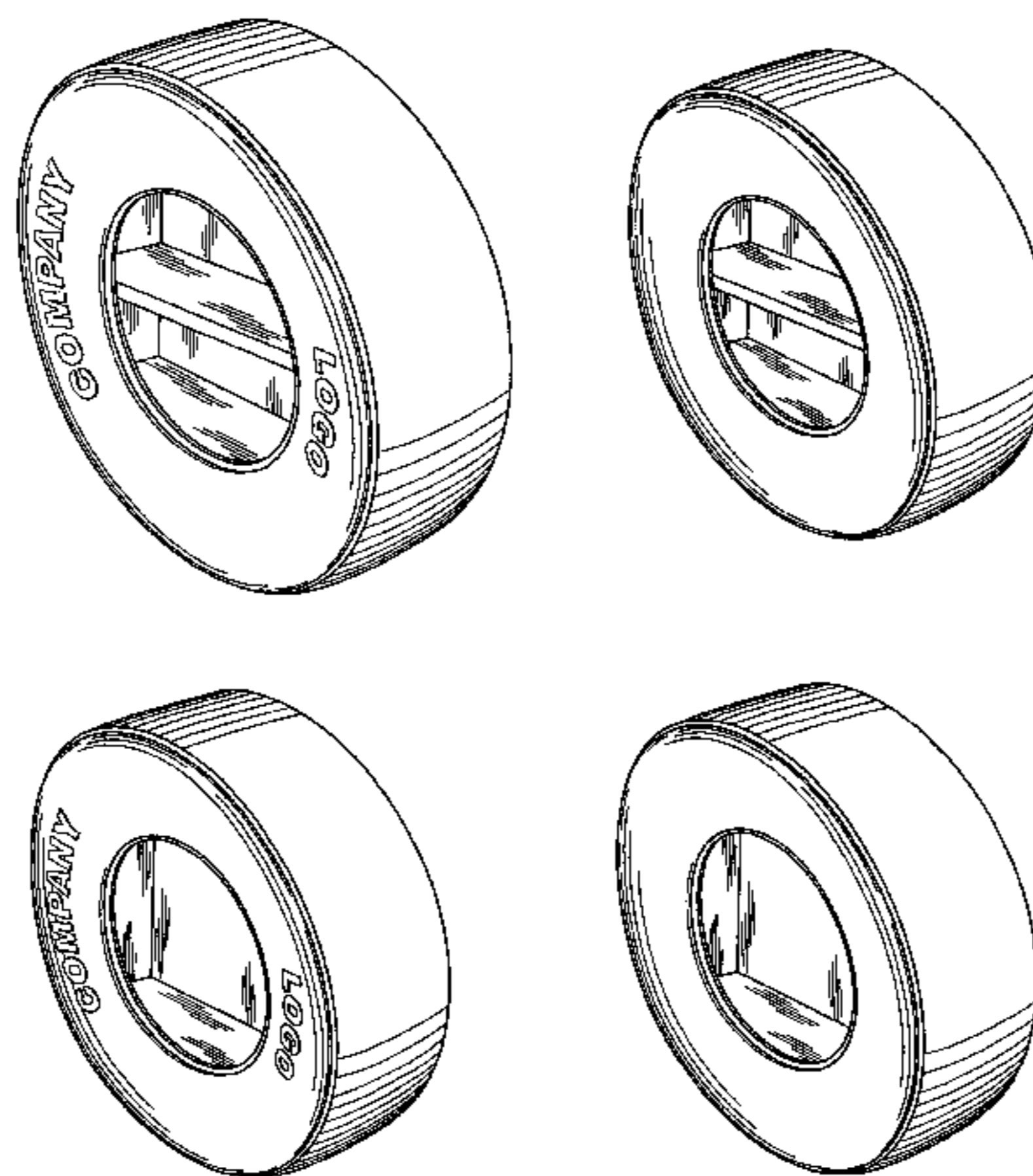
FIG. 14 is a left elevational view of the shelving/display units of FIG. 10 and FIG. 12.

FIG. 15 is a right elevational view of the shelving/display units of FIG. 10 and FIG. 12.

FIG. 16 is a top plan view of the shelving/display units of FIG. 10 and FIG. 12; and,

FIG. 17 is a bottom plan view of the shelving/display units of FIG. 10 and FIG. 12. The rear view of the shelving/display units of FIG. 10 and FIG. 12 are identical to the rear view of the shelving/display unit of FIG. 1.

**1 Claim, 7 Drawing Sheets**



# US D544,726 S

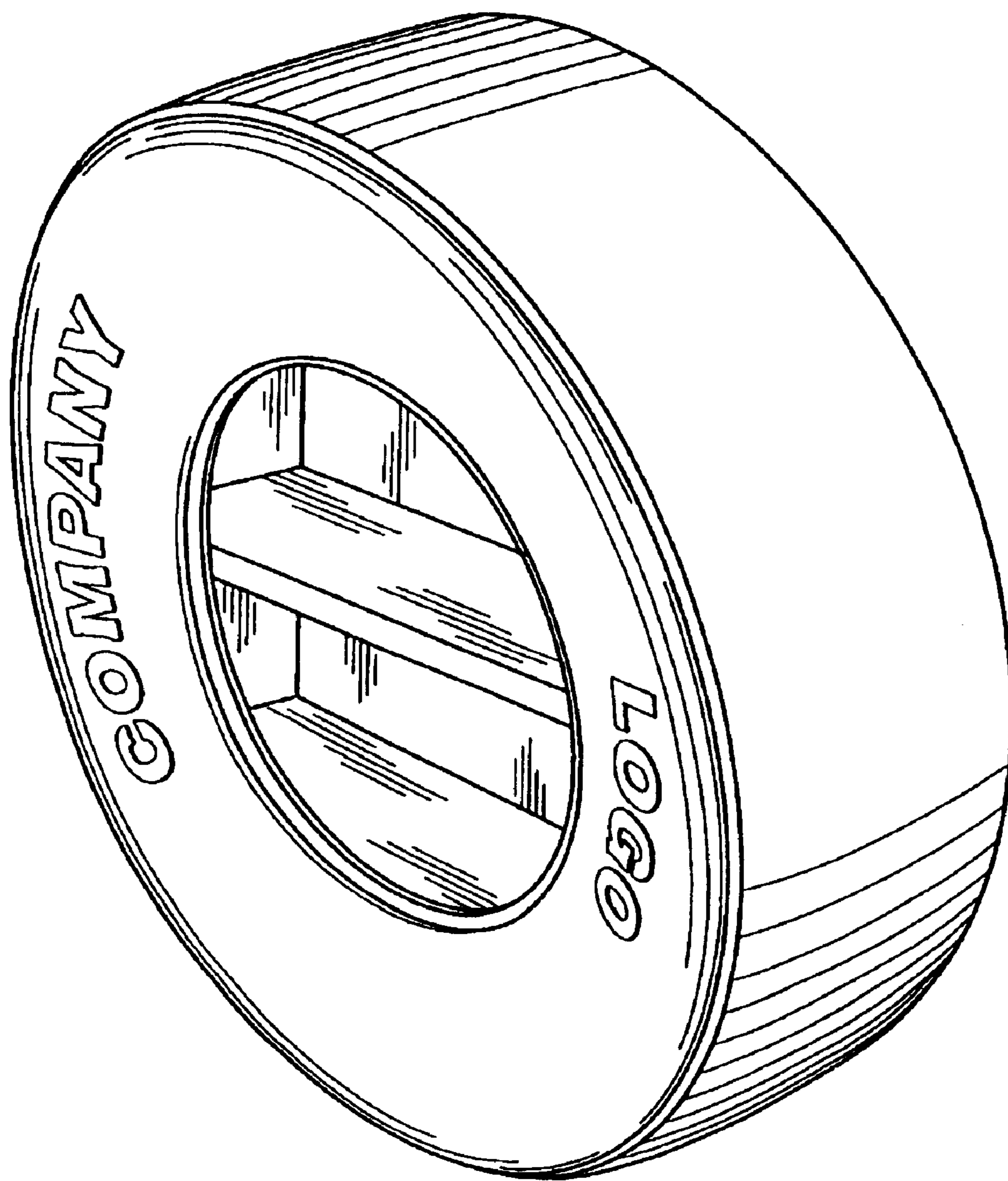
Page 2

---

## U.S. PATENT DOCUMENTS

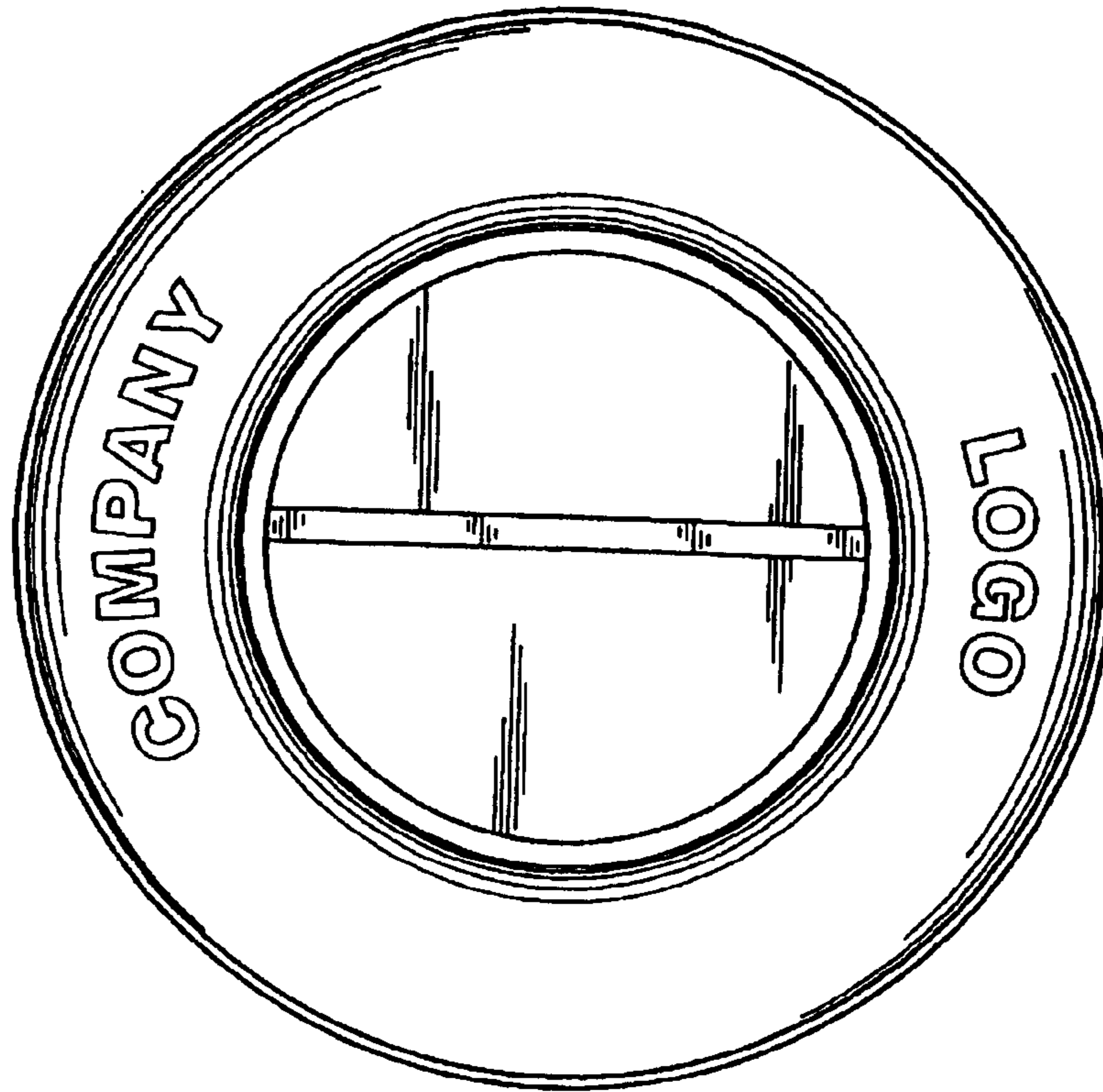
4,056,285 A	*	11/1977	Wright	.....	301/8	D481,988 S	*	11/2003	Wachendorf	.....	D12/500
5,186,676 A	*	2/1993	Morton	.....	446/465	D496,474 S	*	9/2004	Murdick	.....	D26/7
D386,446 S	*	11/1997	Favish	.....	D11/131	2006/0137802 A1	*	6/2006	Flament et al.	.....	156/110.1
D434,997 S	*	12/2000	Wright et al.	.....	D11/134	2006/0231181 A1	*	10/2006	Roder et al.	.....	152/154.2

\* cited by examiner

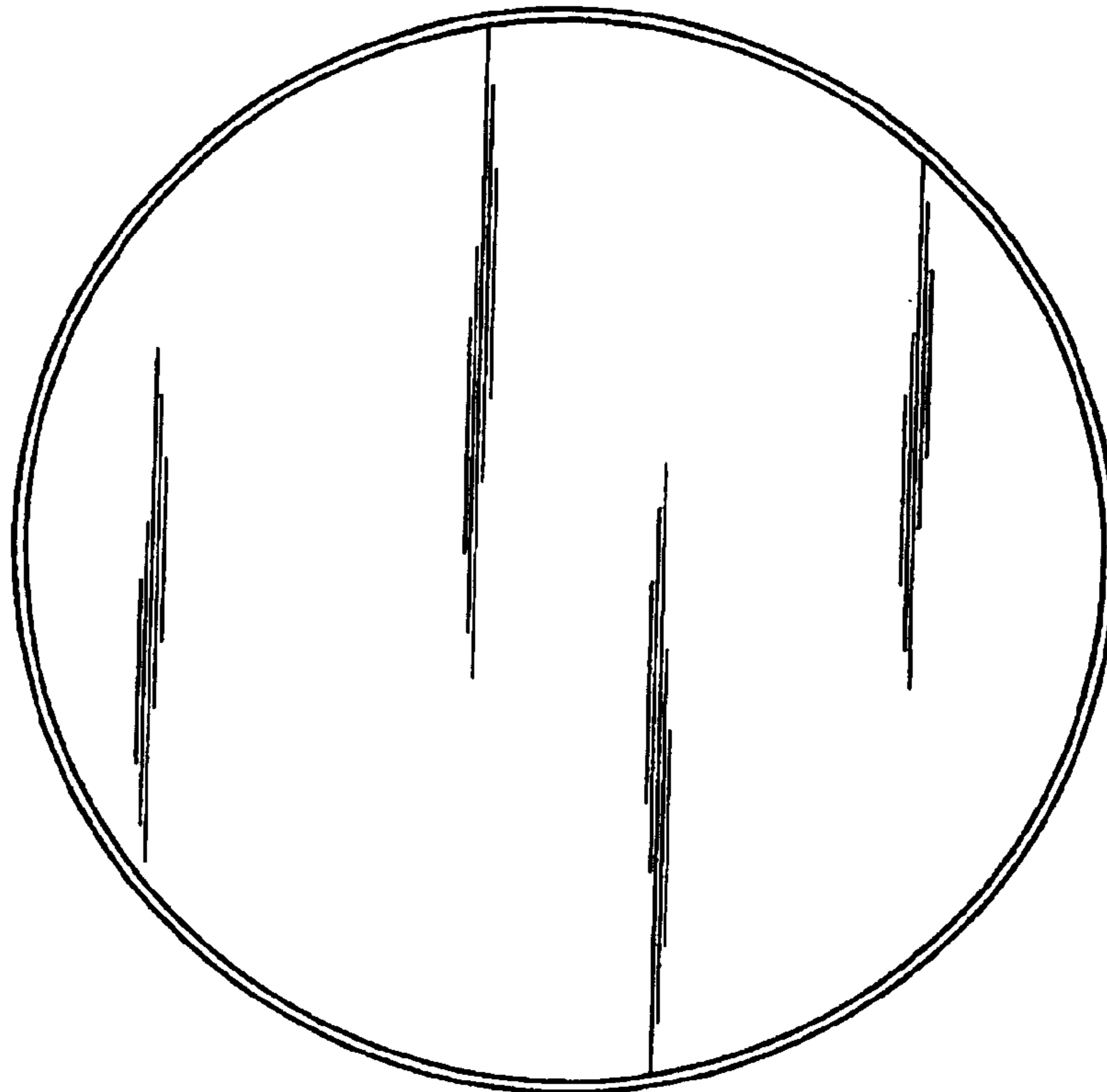


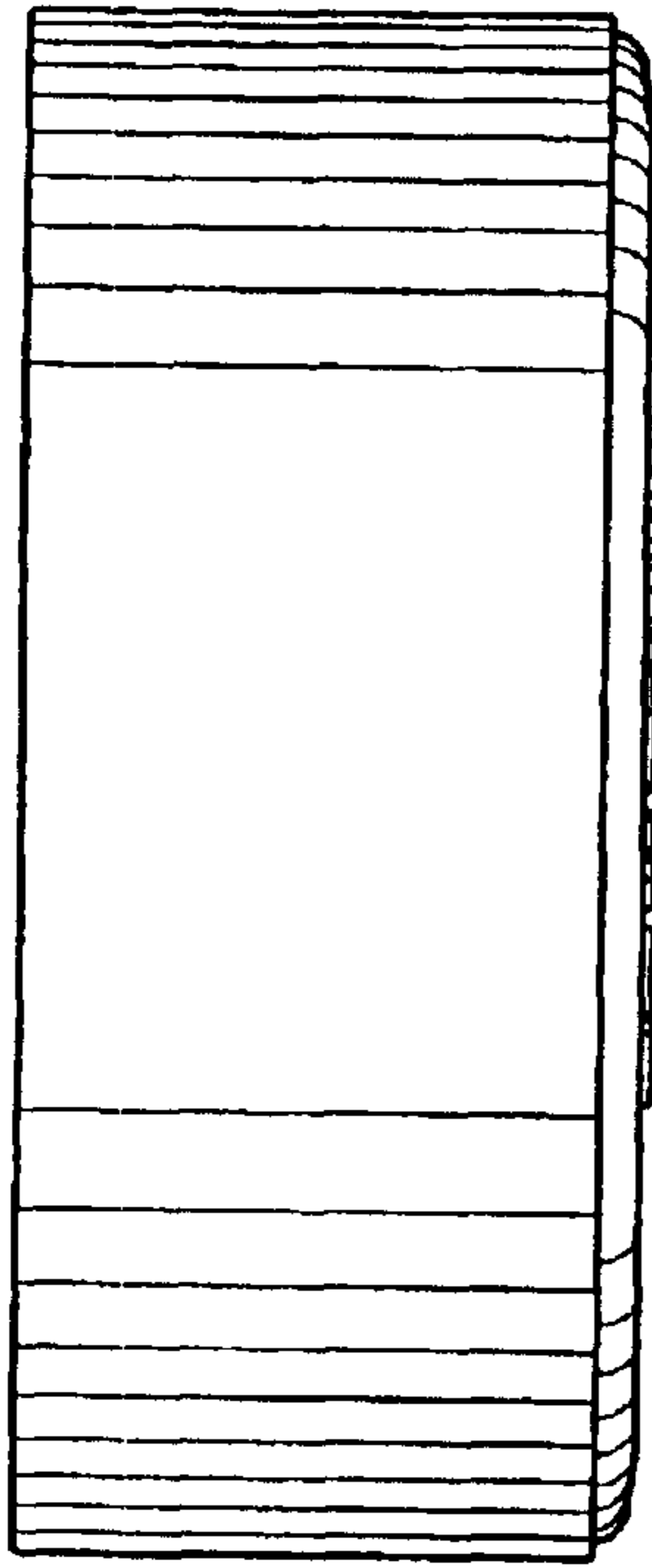
*Fig.1*

*Fig.2*

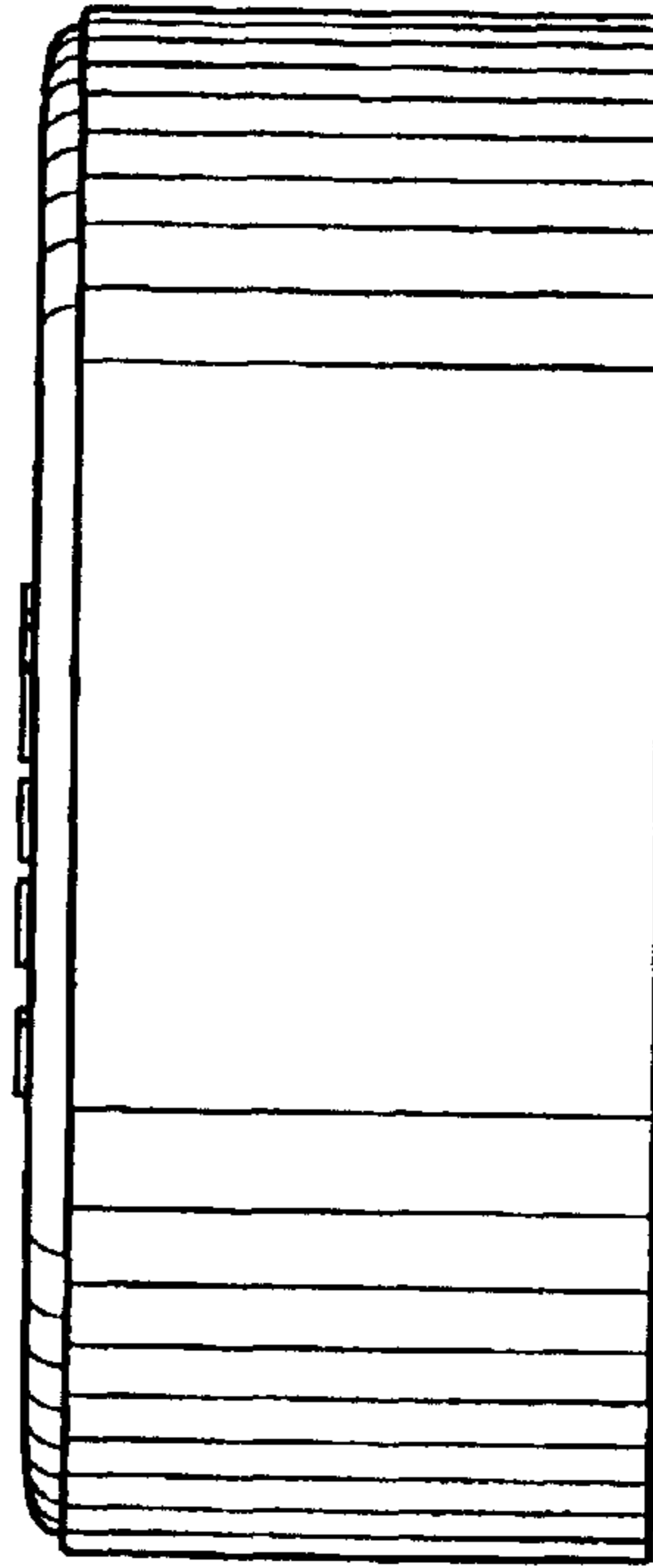


*Fig.3*



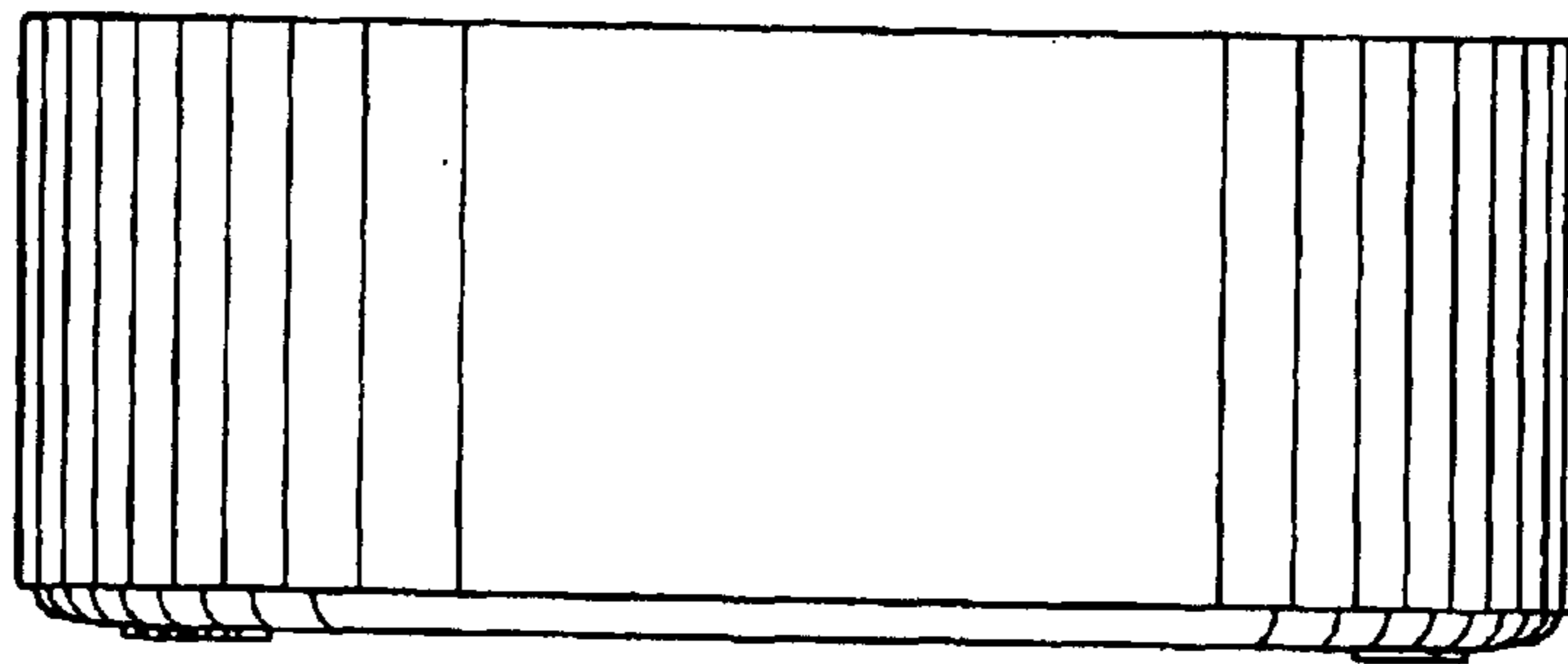


*Fig.4*

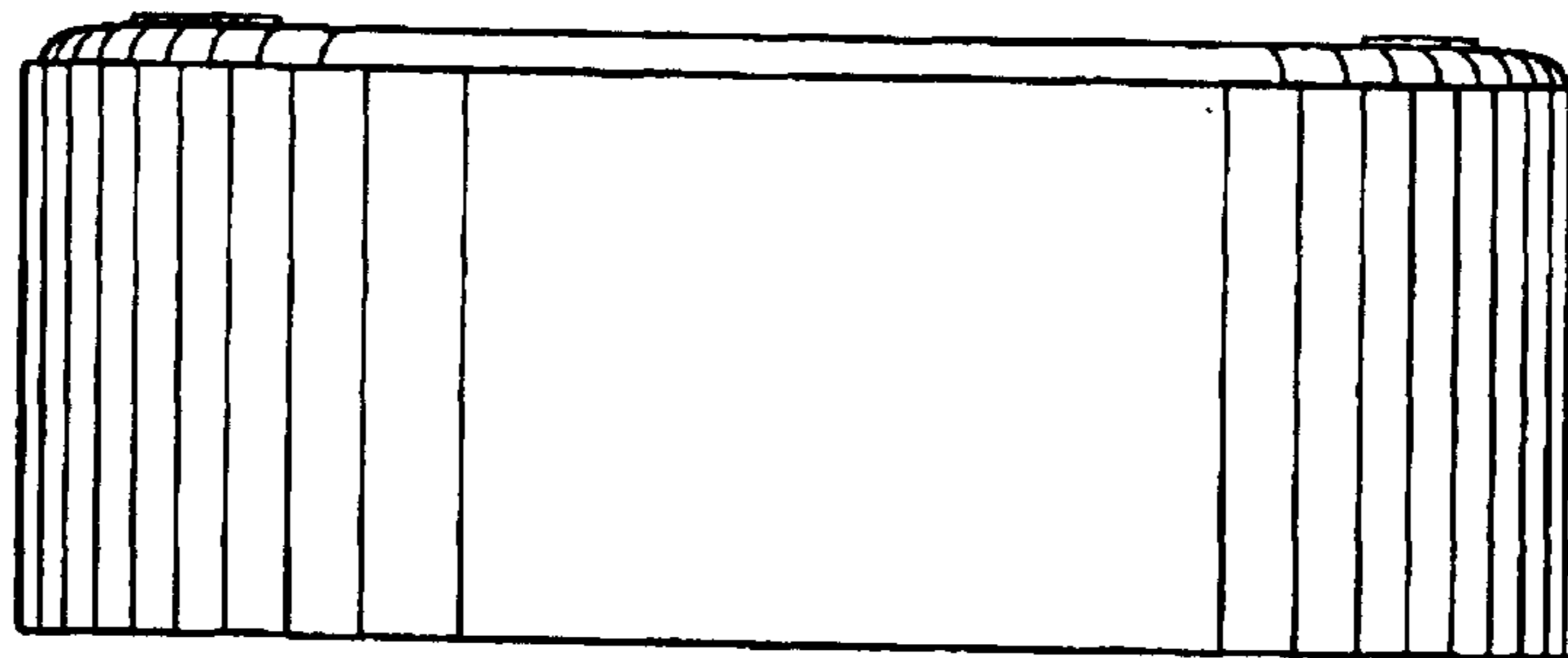


*Fig.5*

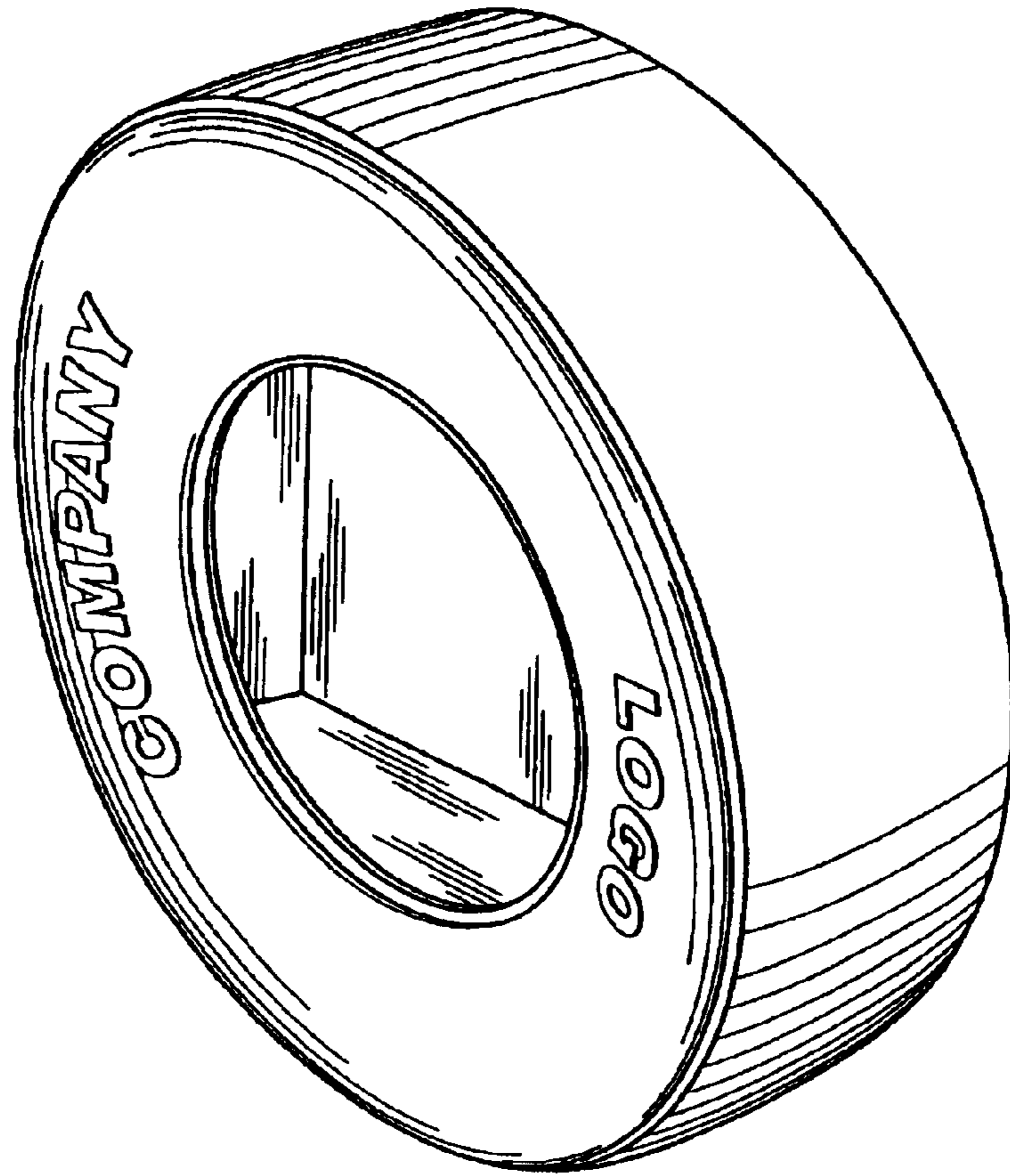
*Fig.6*



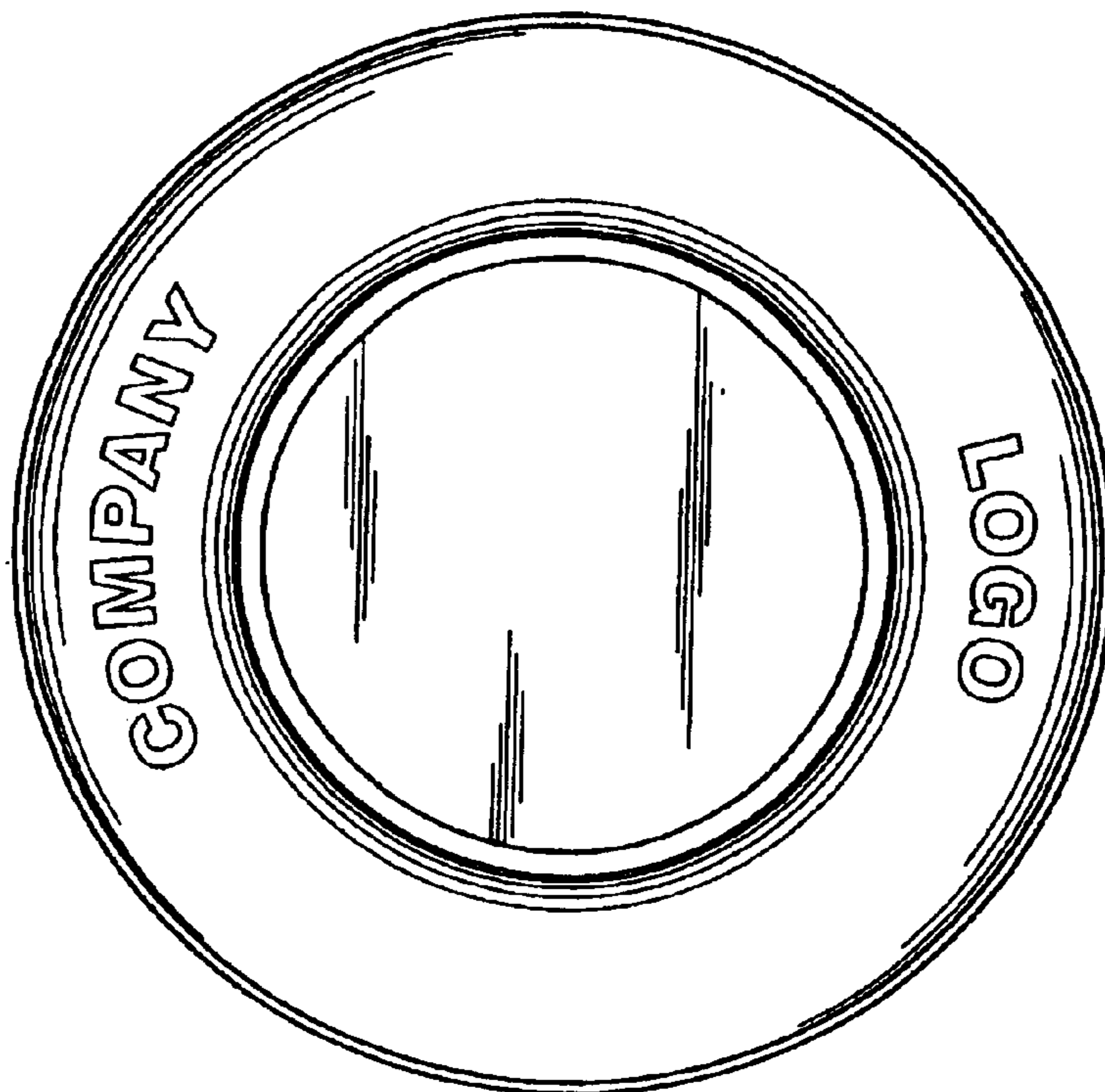
*Fig.7*



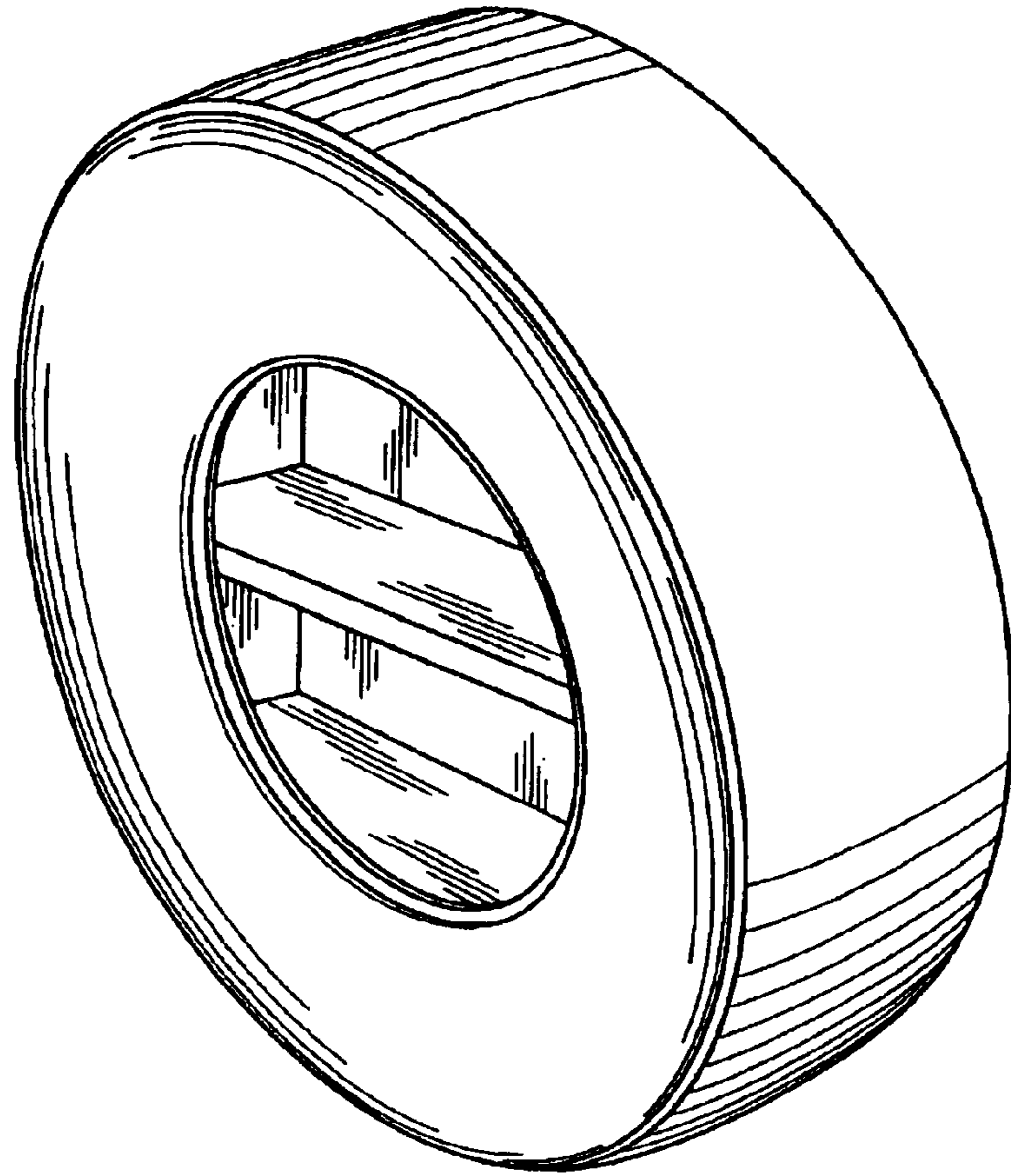
*Fig.8*



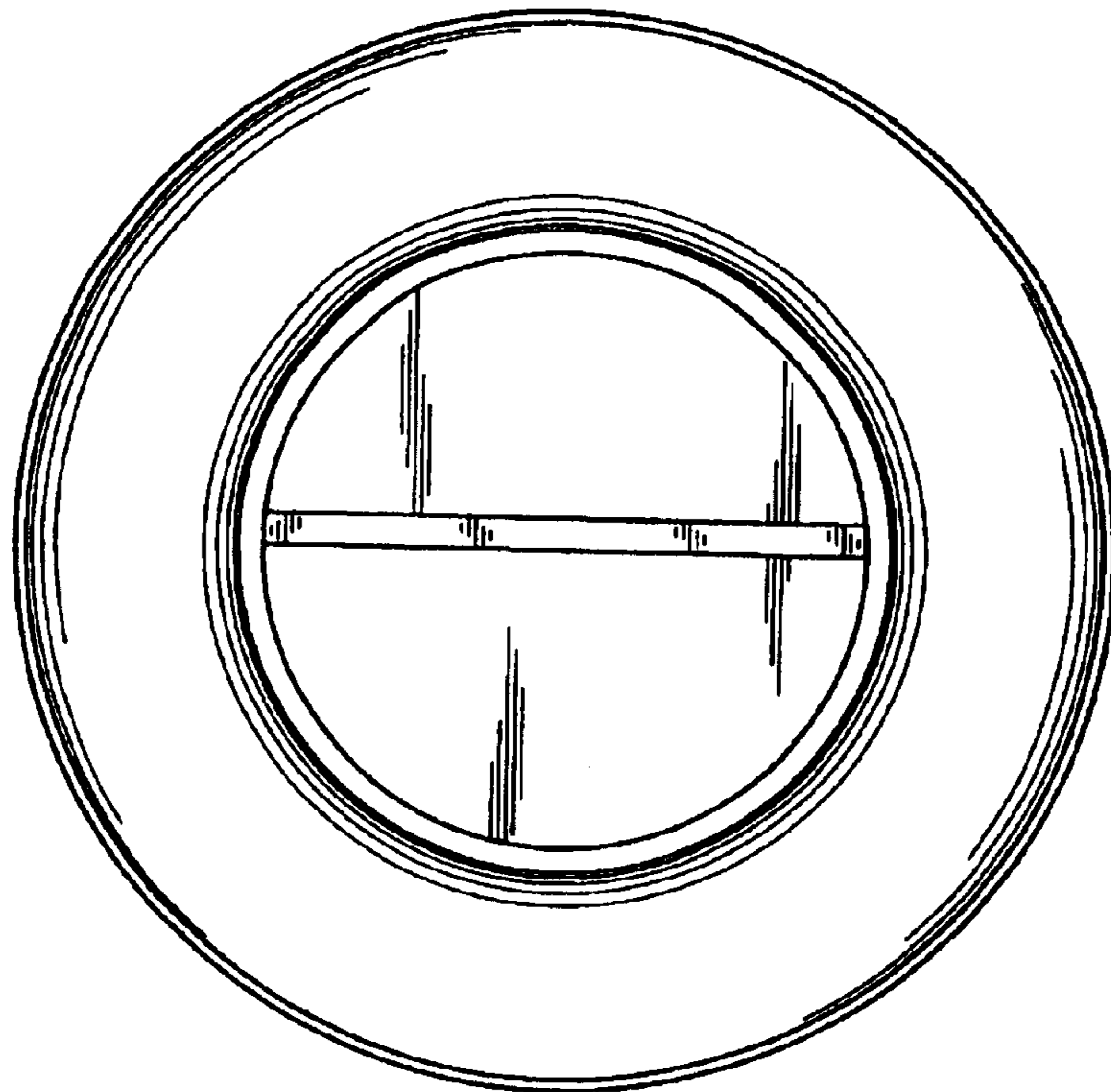
*Fig.9*



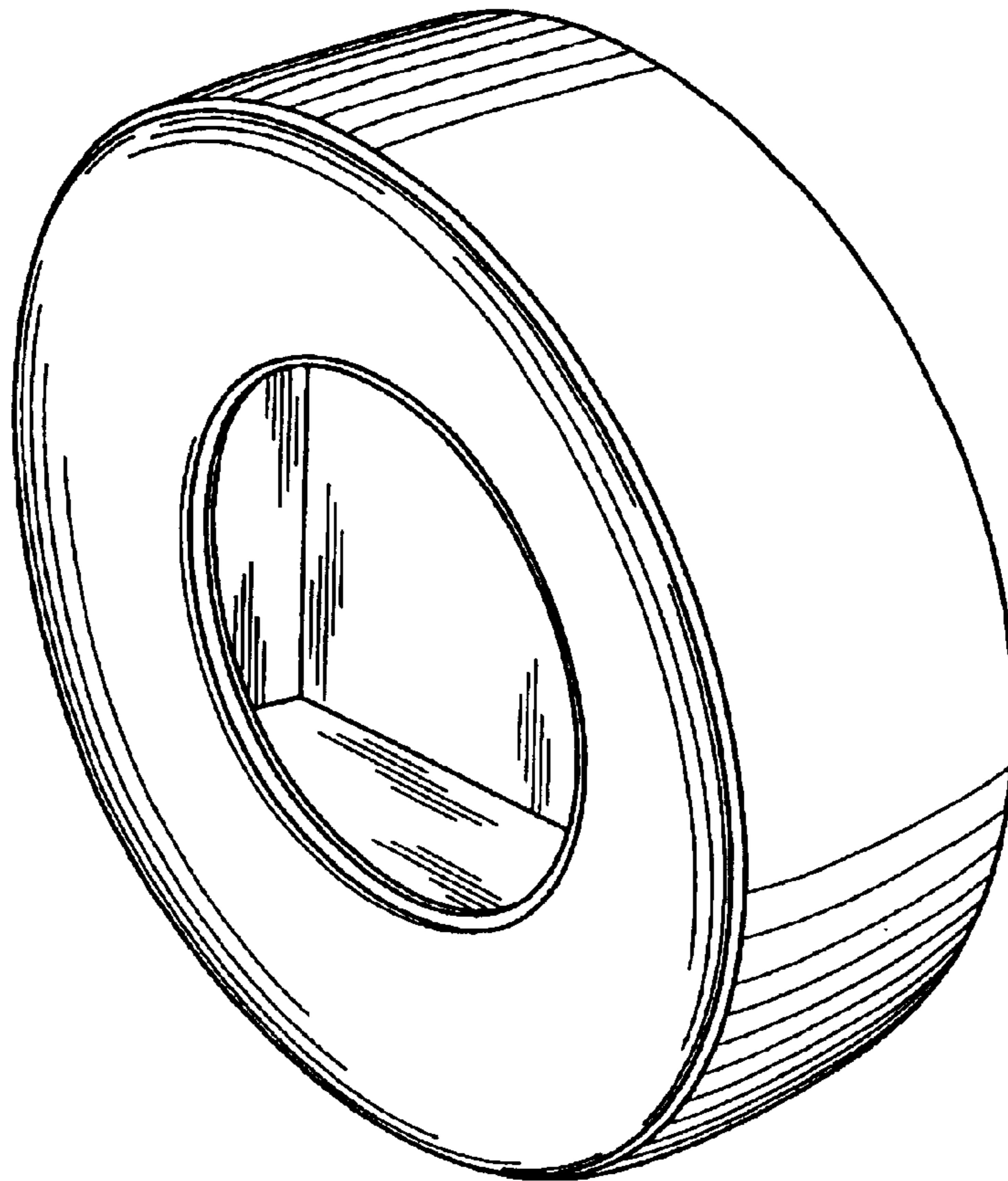
*Fig.10*



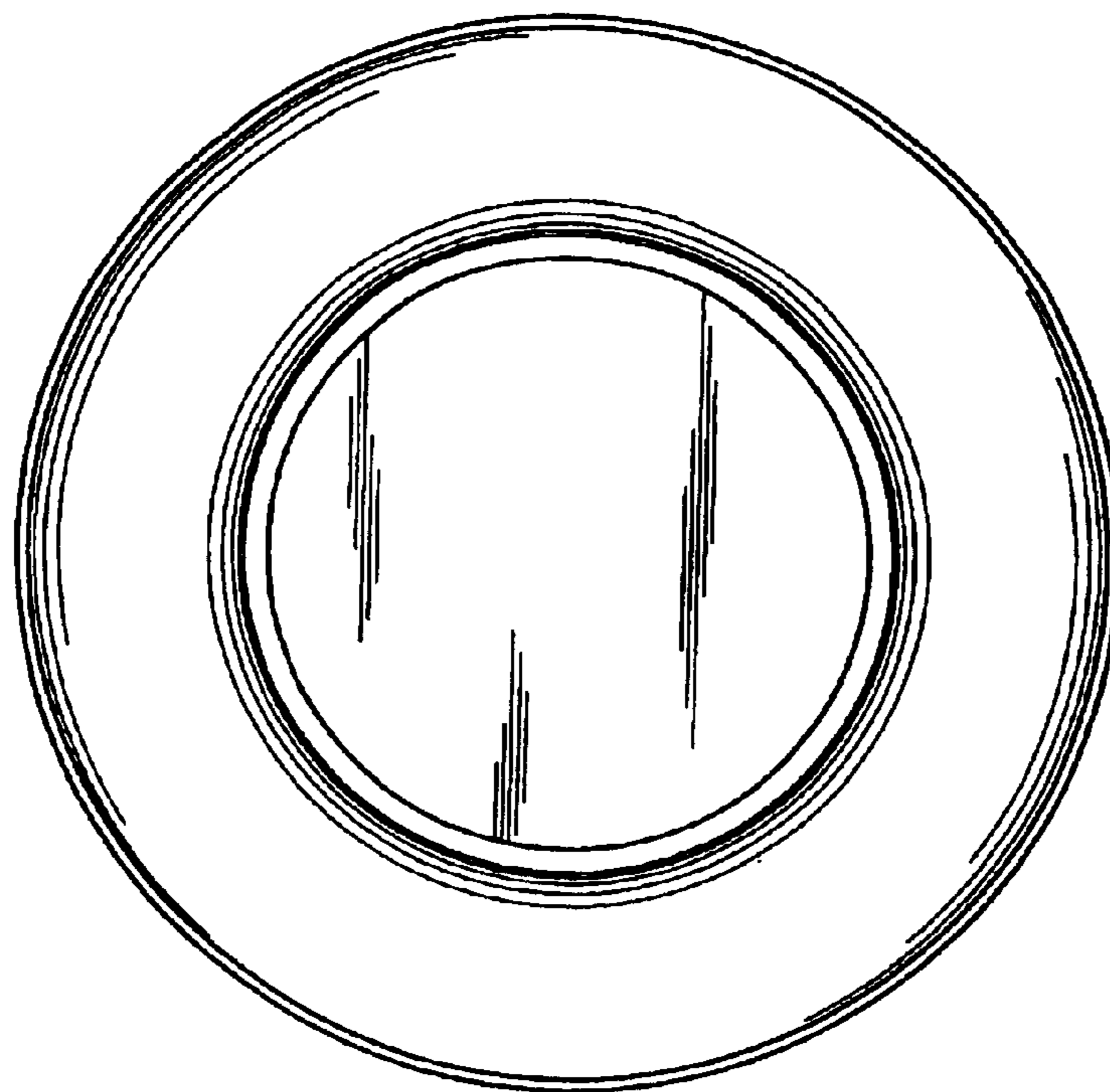
*Fig.11*



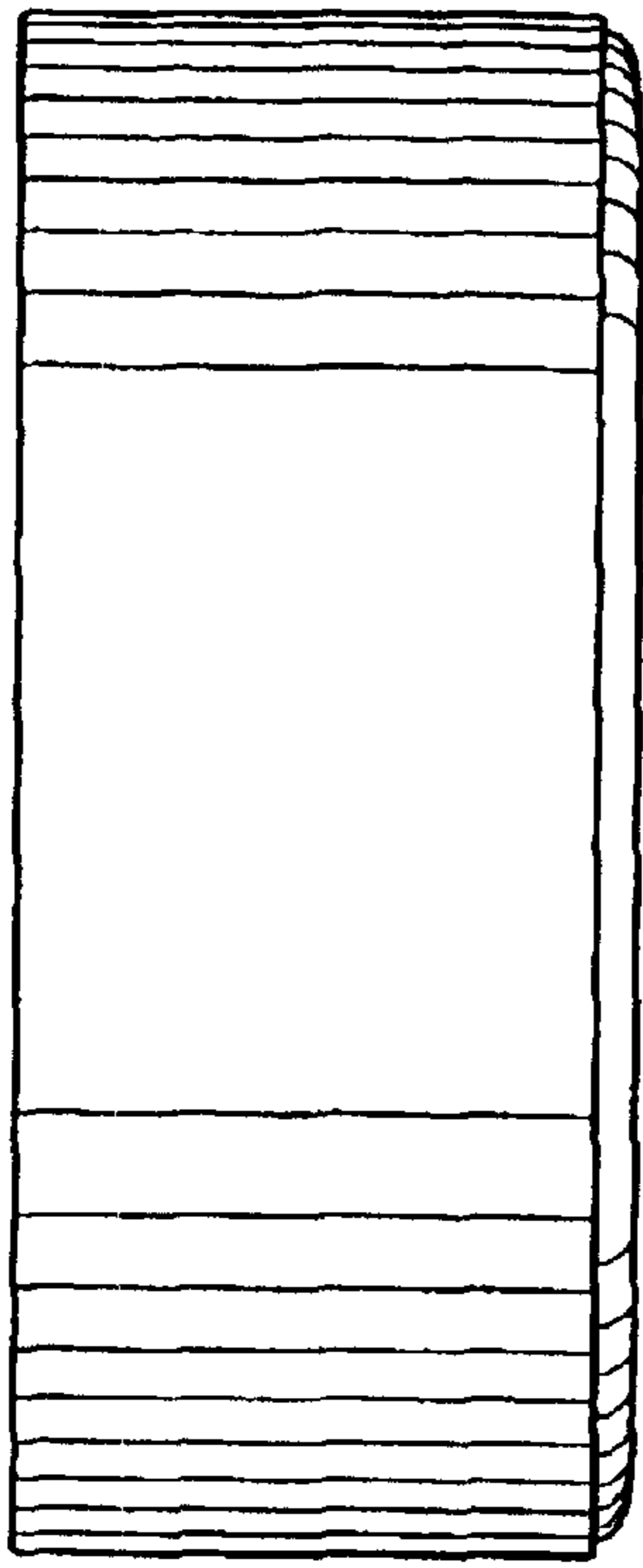
*Fig.12*



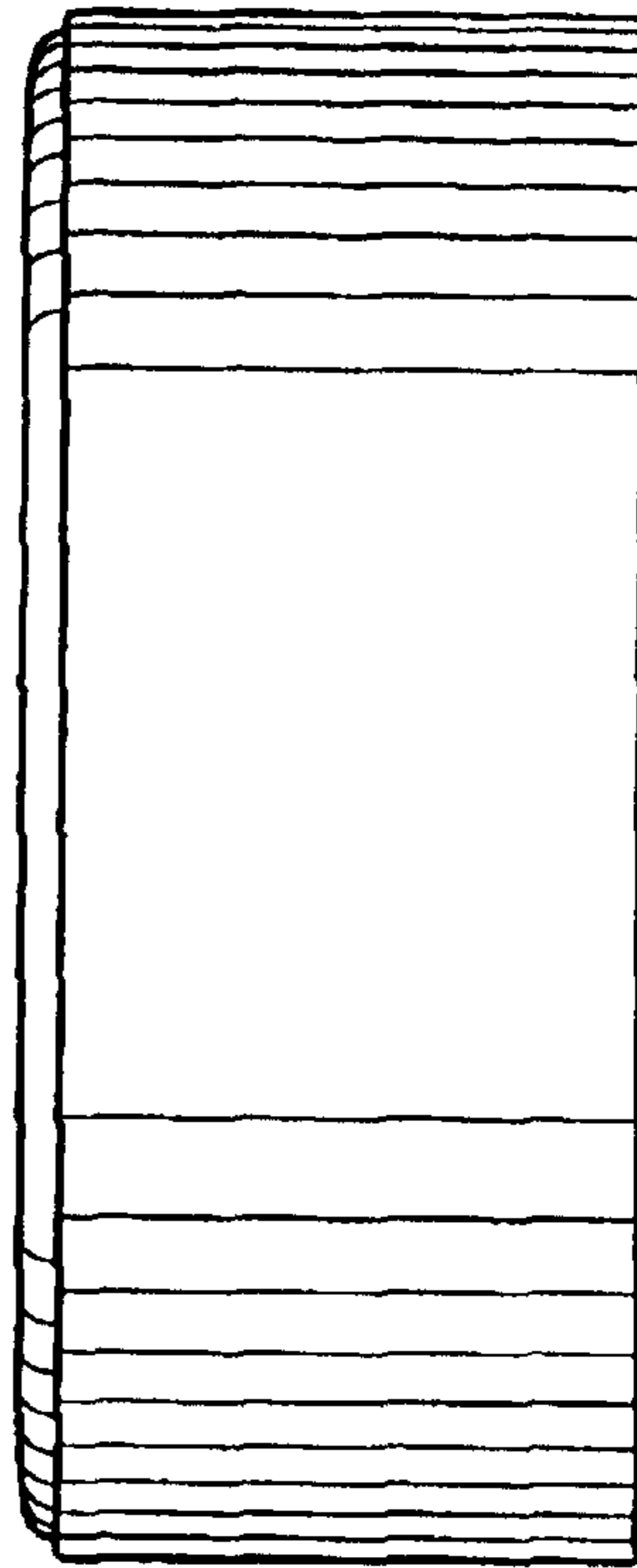
*Fig.13*





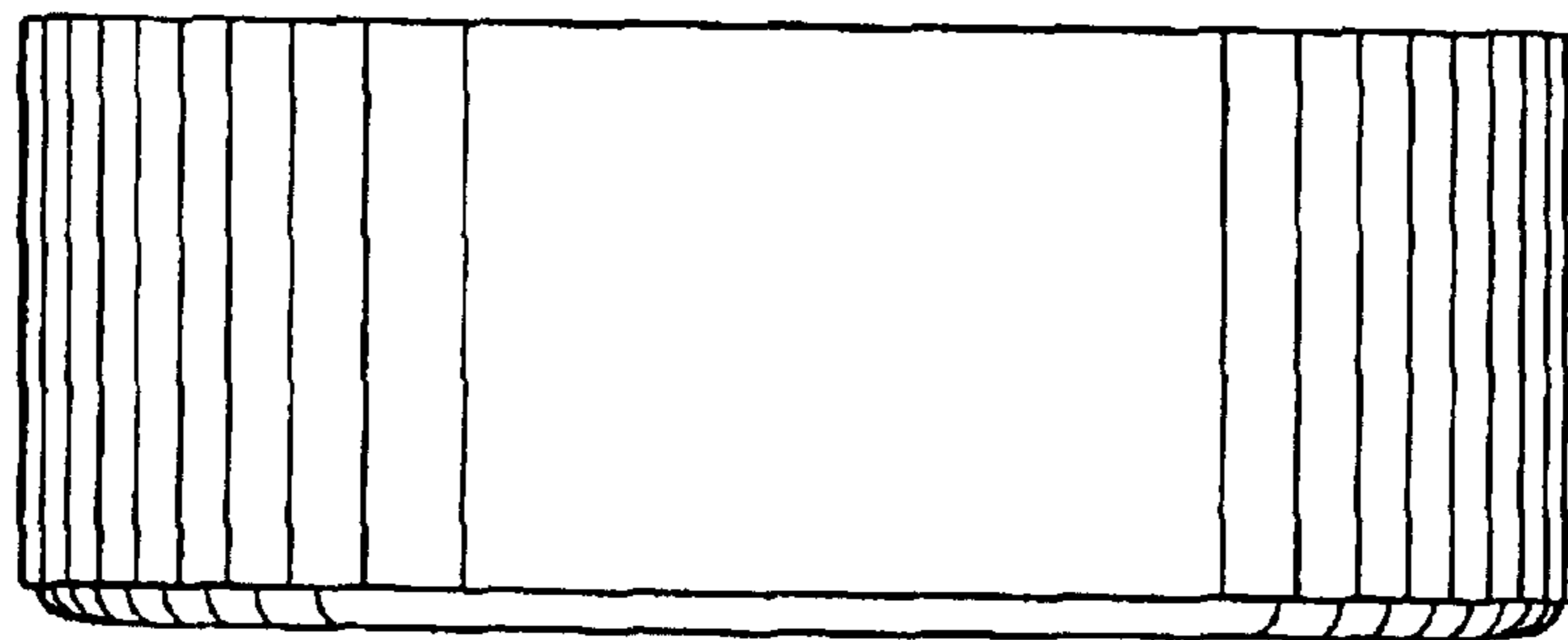


*Fig.14*



*Fig.15*

*Fig.16*



*Fig.17*

