



US00D544722S

(12) **United States Design Patent**
Scheper et al.

(10) **Patent No.:** **US D544,722 S**

(45) **Date of Patent:** **** Jun. 19, 2007**

(54) **CHAIR**

(75) Inventors: **Robert Scheper**, Souffelweyersheim (FR); **Glen Oliver Loew**, Hamburg (DE)

(73) Assignee: **Steelcase Development Corporation**, Caledonia, MI (US)

(**) Term: **14 Years**

(21) Appl. No.: **29/214,446**

(22) Filed: **Oct. 1, 2004**

(30) **Foreign Application Priority Data**

Jun. 7, 2004 (EM) 191457

(51) **LOC (8) Cl.** **06-01**

(52) **U.S. Cl.** **D6/375**

(58) **Field of Classification Search** D6/375, D6/334, 502, 498, 499; 297/411.27, 452.29, 297/451.4, 451.5, 451.6, 452.14, 448.2
See application file for complete search history.

(56) **References Cited**

U.S. PATENT DOCUMENTS

398,179 A	2/1889	Parry et al.	
2,156,664 A	5/1939	Litle, Jr.	
2,731,076 A	1/1956	Rowland	
2,803,293 A	8/1957	Rowland	
D199,671 S *	12/1964	Mulhauser, Jr.	D6/498
3,744,846 A	7/1973	Platt et al.	
D228,483 S *	10/1973	Sebel	D6/375
D233,715 S *	11/1974	Fantoni	D6/375
D258,480 S *	3/1981	Rowland	D6/375
D258,924 S *	4/1981	Deschamps et al.	D6/375
D259,688 S *	6/1981	Ambasz	D6/375
D262,168 S *	12/1981	Lustig	D6/375
4,309,058 A	1/1982	Barley	
4,318,556 A	3/1982	Rowland	
4,545,614 A	10/1985	Abu-Isa et al.	
D289,120 S *	4/1987	Chadwick et al.	D6/502
D339,244 S *	9/1993	Fahnstrom et al.	D6/373
D339,940 S *	10/1993	Balderi et al.	D6/502

D349,826 S *	8/1994	Homann	D6/500
5,549,358 A	8/1996	Müller	
D390,026 S *	2/1998	Biecher	D6/375
5,871,258 A	2/1999	Batthey et al.	
5,975,634 A	11/1999	Knoblock et al.	
5,997,094 A *	12/1999	Cvek	297/452.15
6,056,367 A	5/2000	Hsiao	

(Continued)

FOREIGN PATENT DOCUMENTS

DE 4126520 2/1993

(Continued)

OTHER PUBLICATIONS

Exhibit A is a print-out from a website "cgi-ebay.com" disclosing an antique chair by designer, Hans J. Wegner, having a back cushion supported by spaced-apart back uprights and apparently having strips extending therebetween.

Primary Examiner—Robert M. Spear

Assistant Examiner—Katrina A. Kile

(74) *Attorney, Agent, or Firm*—Price, Heneveld, Cooper, DeWitt & Litton LLP

(57) **CLAIM**

We claim the ornamental design for a chair, as shown and described.

DESCRIPTION

FIG. 1 is a top view of a chair showing our new design;

FIG. 2 is a front perspective view thereof;

FIG. 3 is a rear perspective view thereof;

FIG. 4 is a left side view thereof;

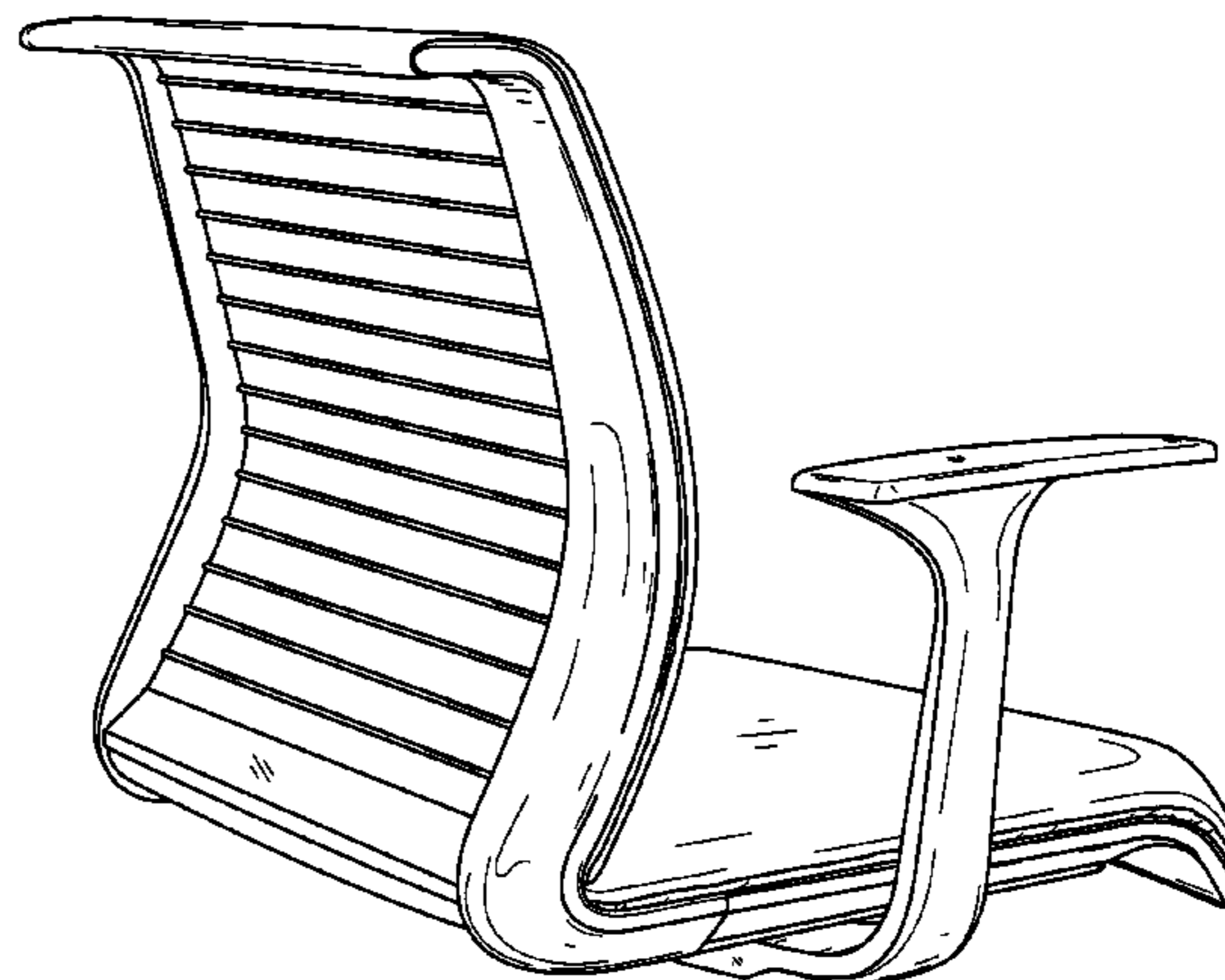
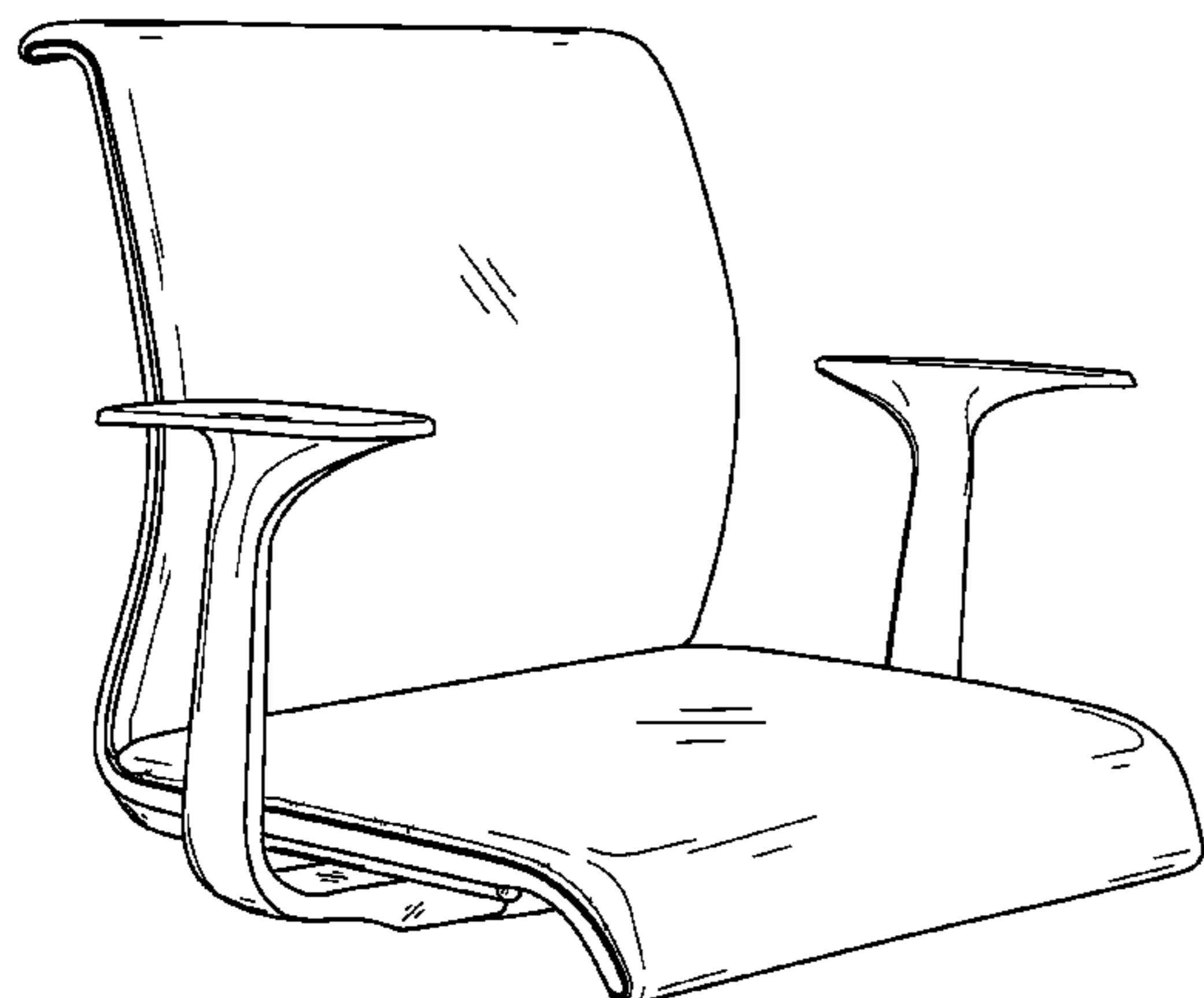
FIG. 5 is a front view thereof;

FIG. 6 is a rear view thereof; and,

FIG. 7 is a bottom view thereof.

The dashed lines in FIG. 7 are to show environment, and form no part of the claimed design.

1 Claim, 7 Drawing Sheets



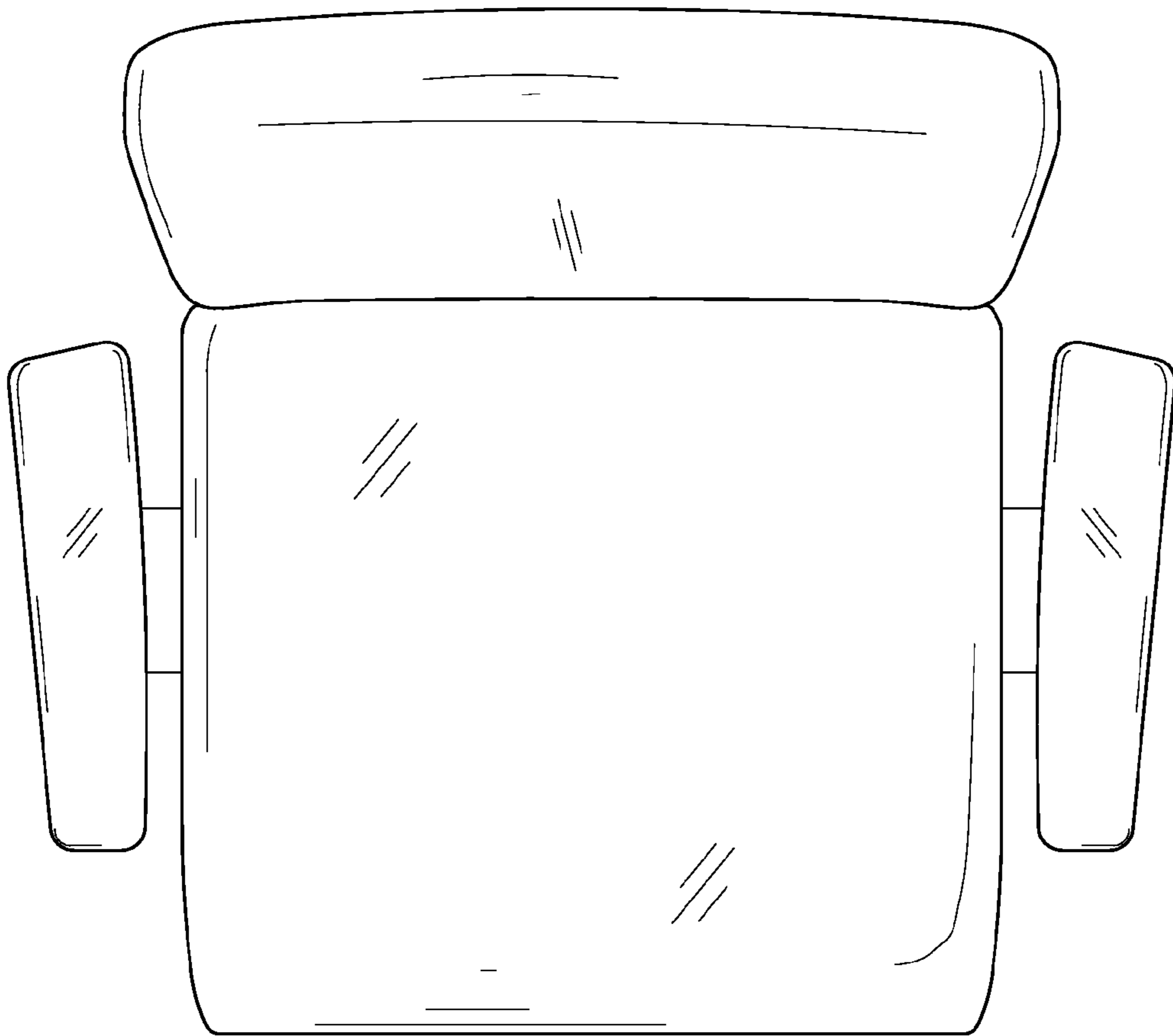


Fig. 1

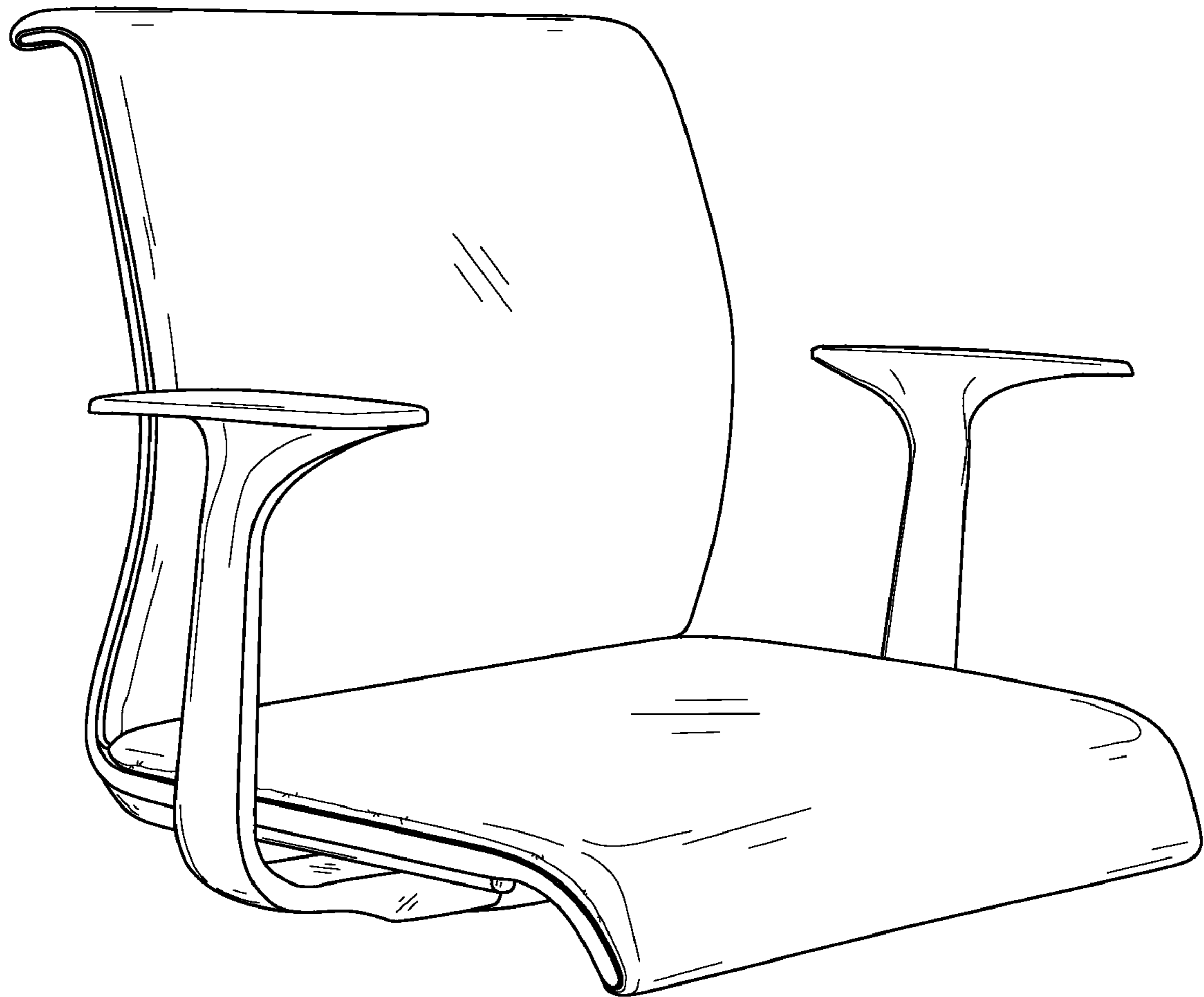


Fig. 2

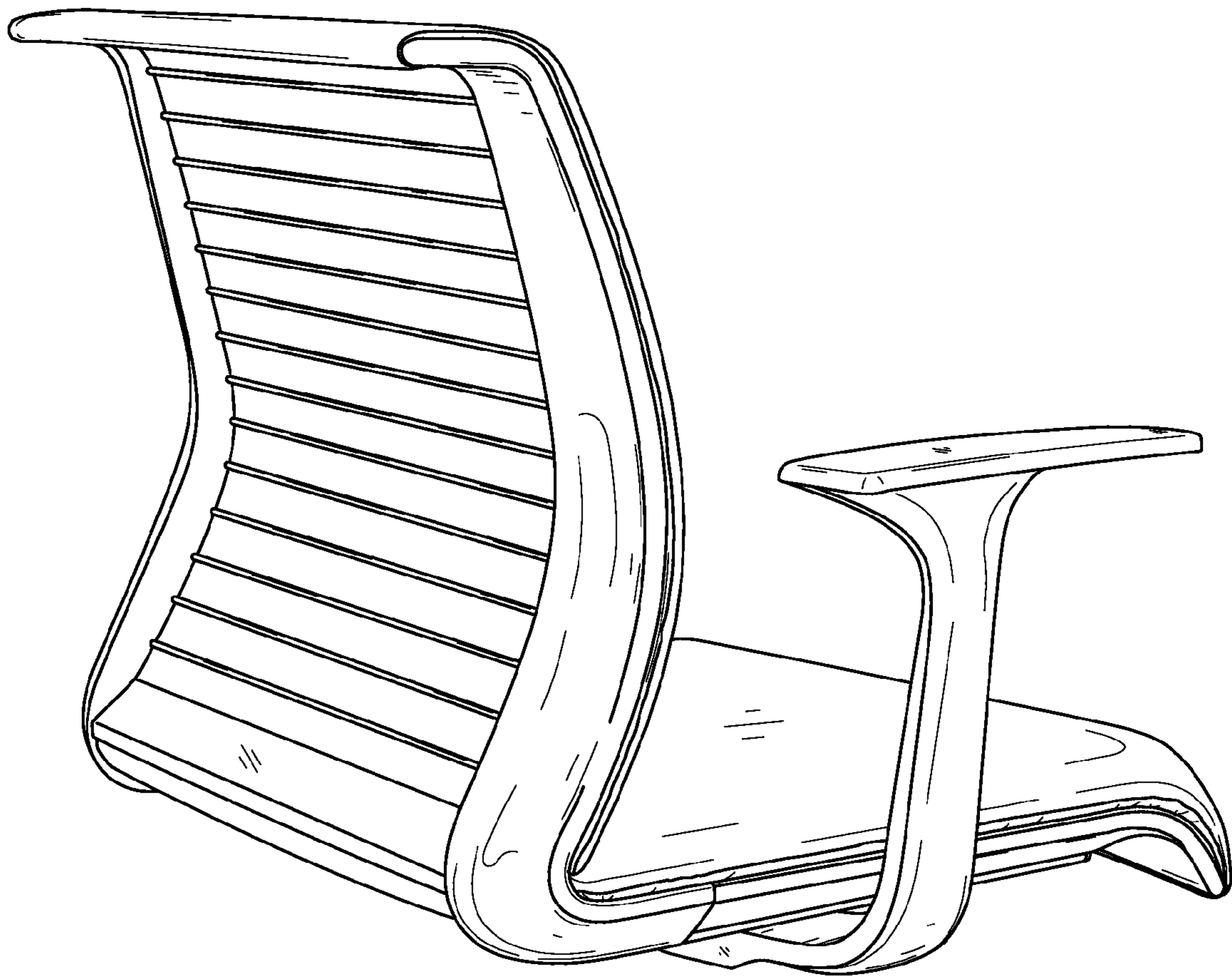


Fig. 3

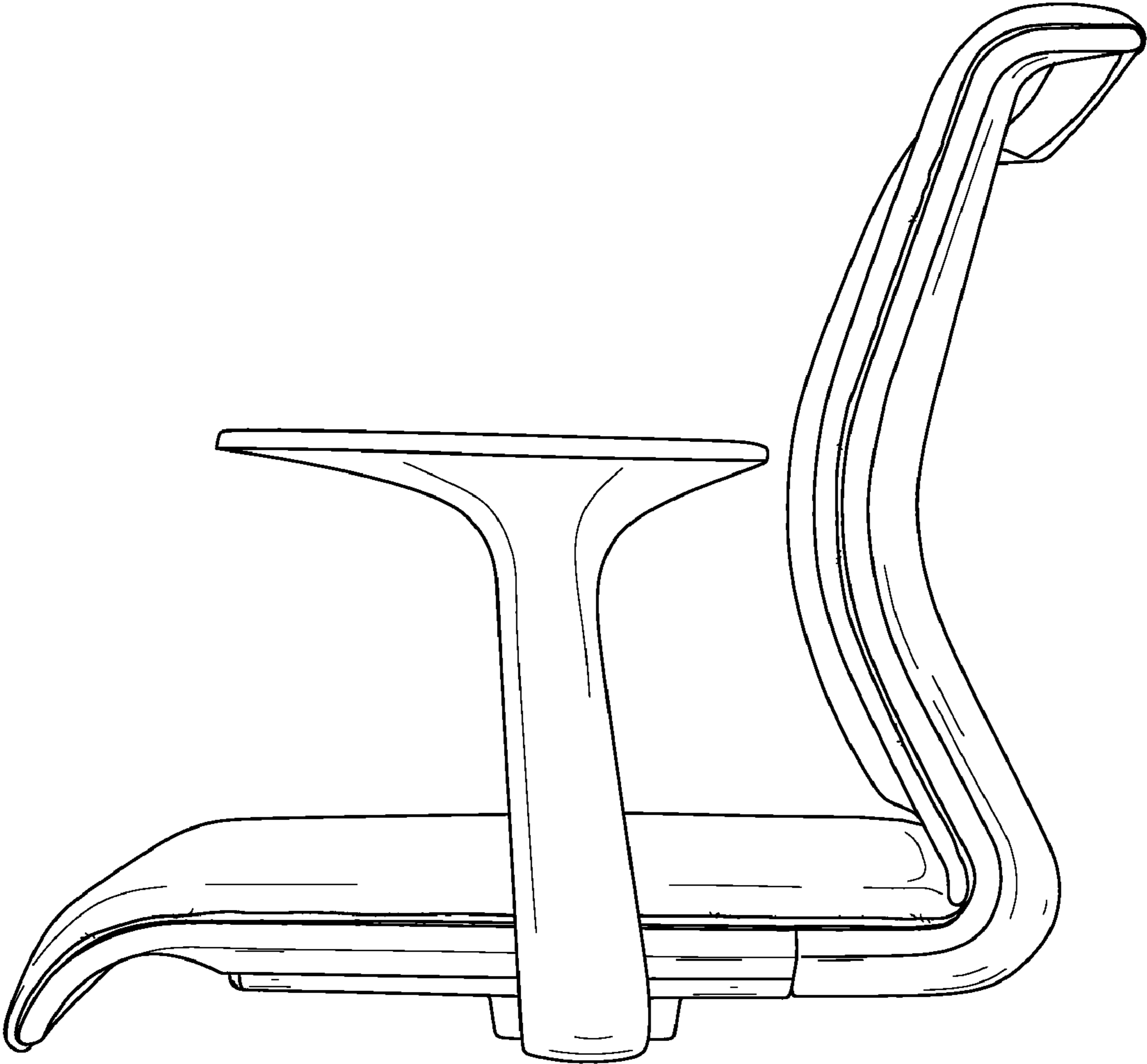


Fig. 4

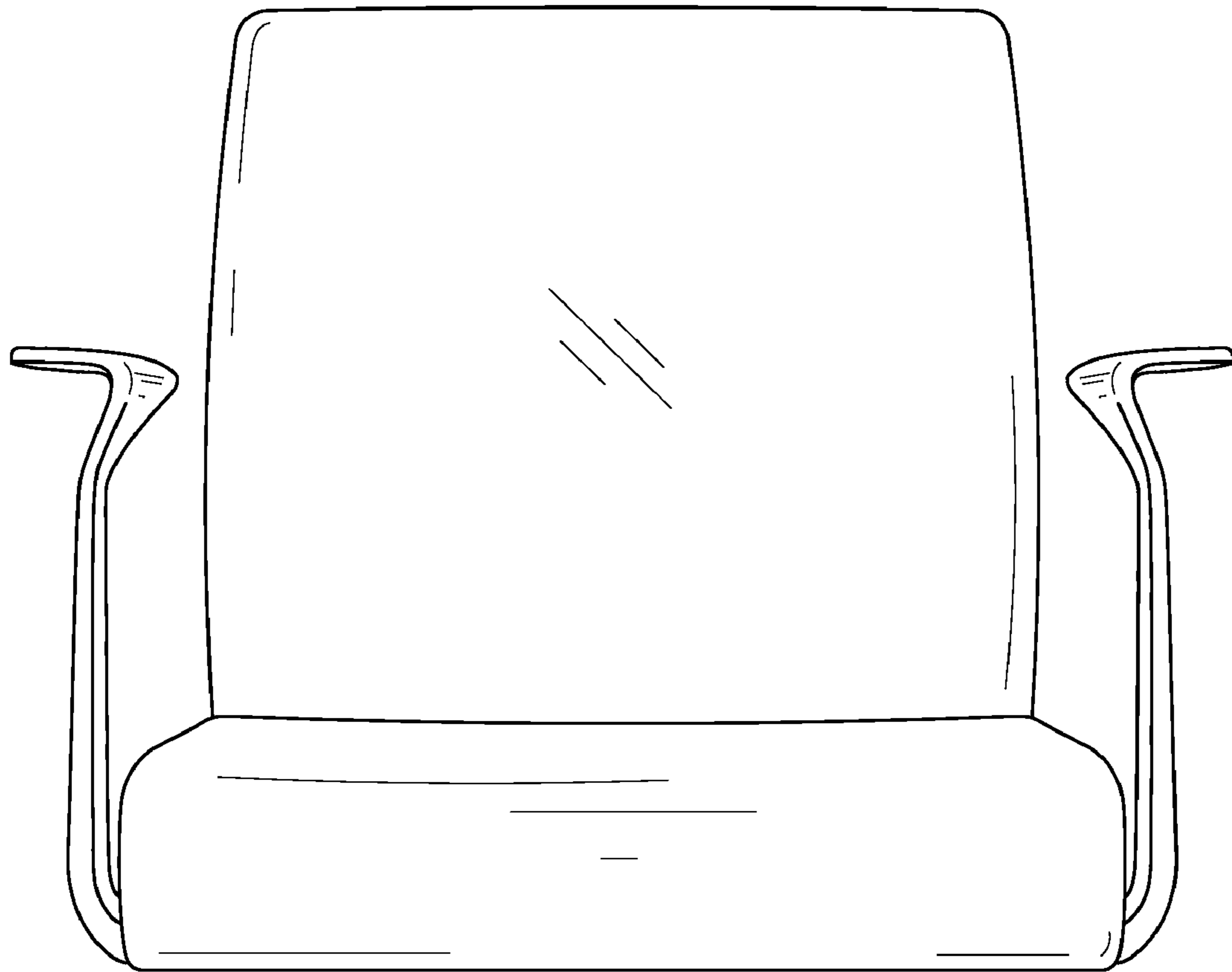


Fig. 5

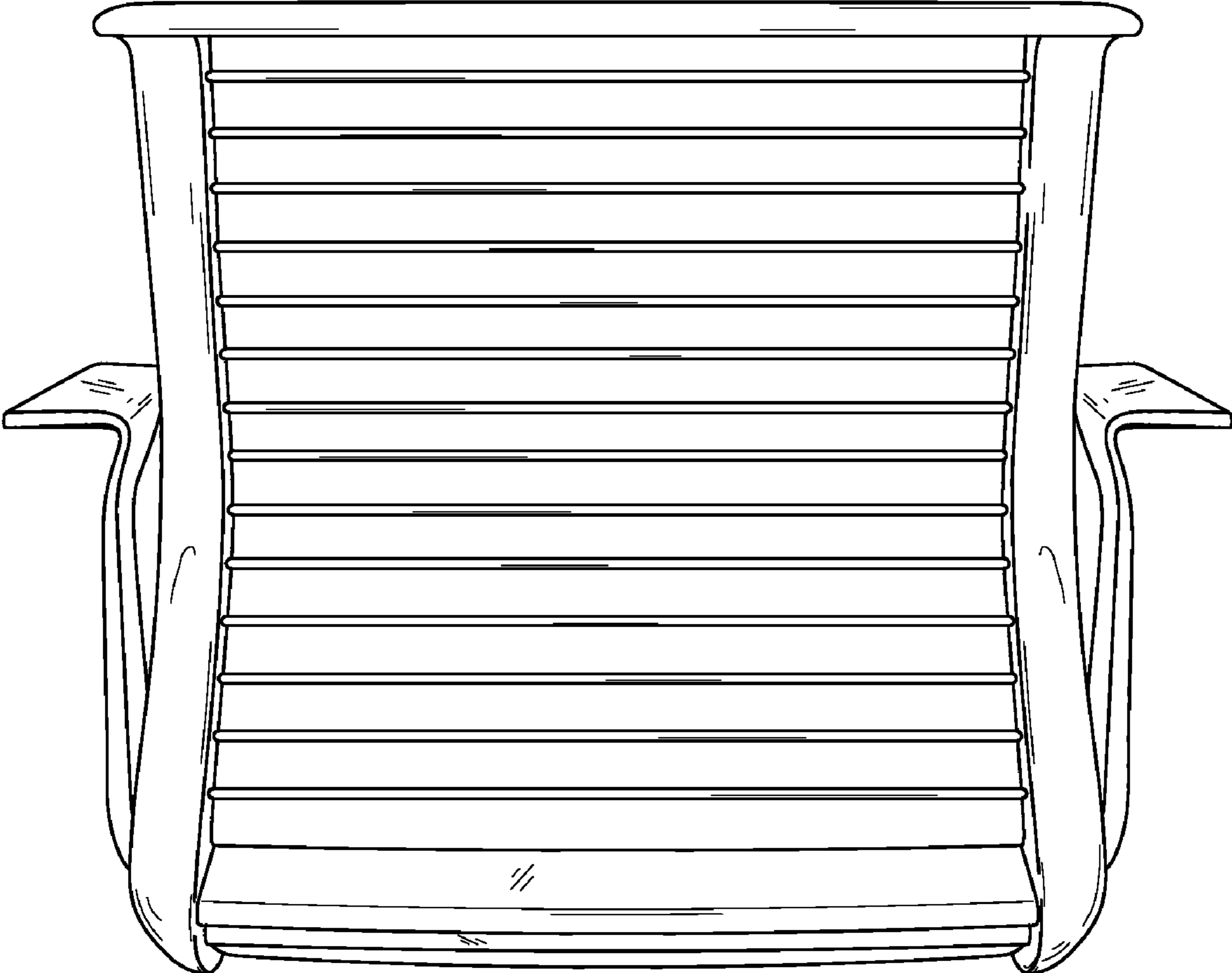


Fig. 6

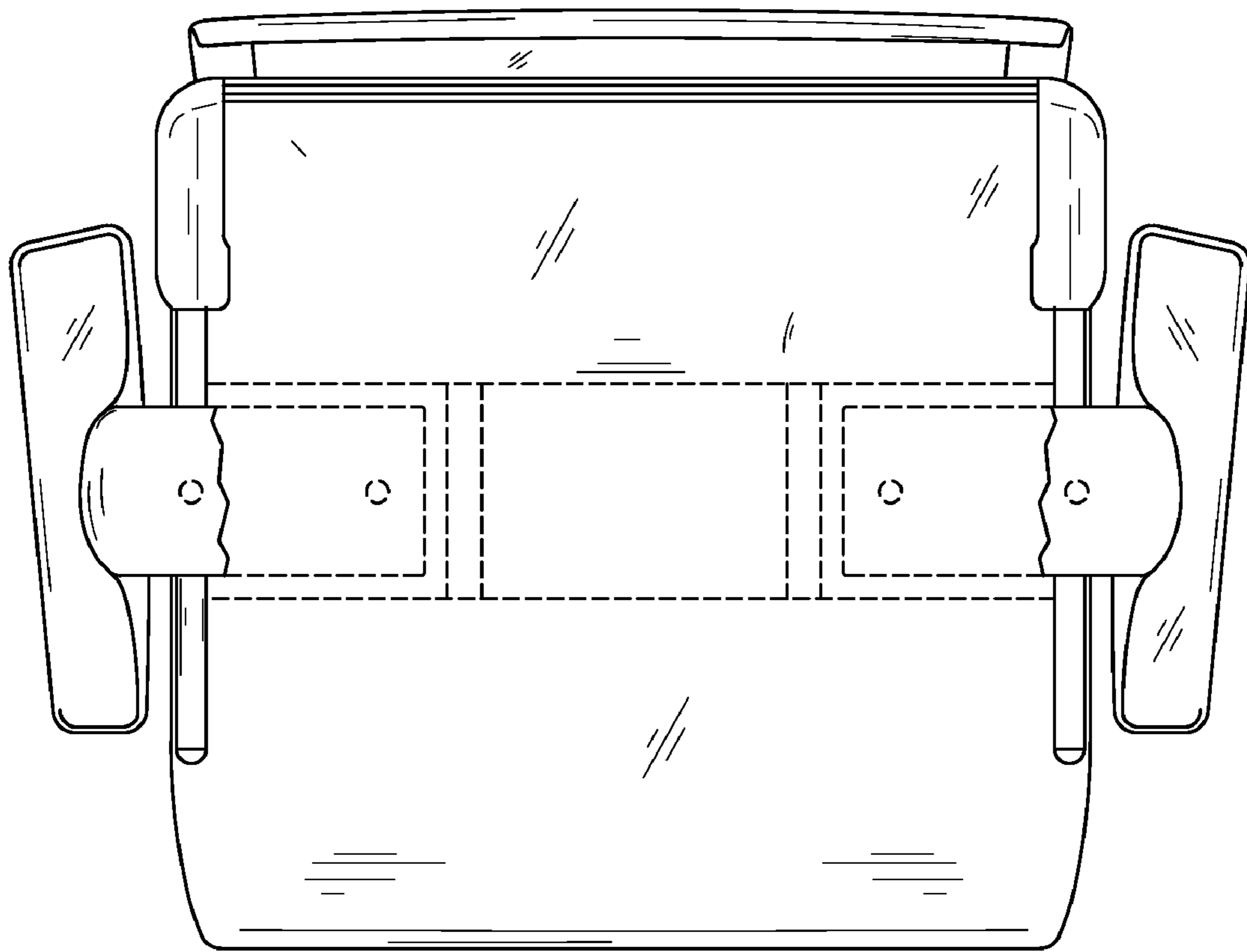


Fig. 7