

US00D544720S

(12) **United States Design Patent**
Berbegal Perez

(10) **Patent No.:** **US D544,720 S**

(45) **Date of Patent:** **** Jun. 19, 2007**

(54) **CHAIR**

(76) Inventor: **Vicente Berbegal Perez, C/ Trinidad Rivera s/n, Castella, (Alicante) 03240 (ES)**

(**) Term: **14 Years**

(21) Appl. No.: **29/246,389**

(22) Filed: **Apr. 6, 2006**

(51) **LOC (8) Cl.** **06-01**

(52) **U.S. Cl.** **D6/366**

(58) **Field of Classification Search** D6/344-336, D6/364, 365, 366, 367, 369, 379, 380, 500-50; 297/411.27, 452.29, 452.3, 452.56, 452.64
See application file for complete search history.

(56) **References Cited**

U.S. PATENT DOCUMENTS

D456,159 S *	4/2002	Ball et al.	D6/366
D456,160 S *	4/2002	Van De Riet et al.	D6/366
D456,650 S *	5/2002	Ball et al.	D6/502
D457,023 S *	5/2002	Ball et al.	D6/502
D471,042 S *	3/2003	Schmitz et al.	D6/502

D489,191 S *	5/2004	Ma	D6/366
D527,920 S *	9/2006	Giugiaro	D6/366
D534,384 S *	1/2007	Su	D6/502

* cited by examiner

Primary Examiner—Mimosa De

(74) *Attorney, Agent, or Firm*—Akin Gump Strauss Hauer & Feld LLP

(57) **CLAIM**

The ornamental design for a chair, as shown and described.

DESCRIPTION

FIG. 1 is an upper perspective view of chair in accordance with my new design;

FIG. 2 is a front elevation view thereof;

FIG. 3 is a top plan view thereof;

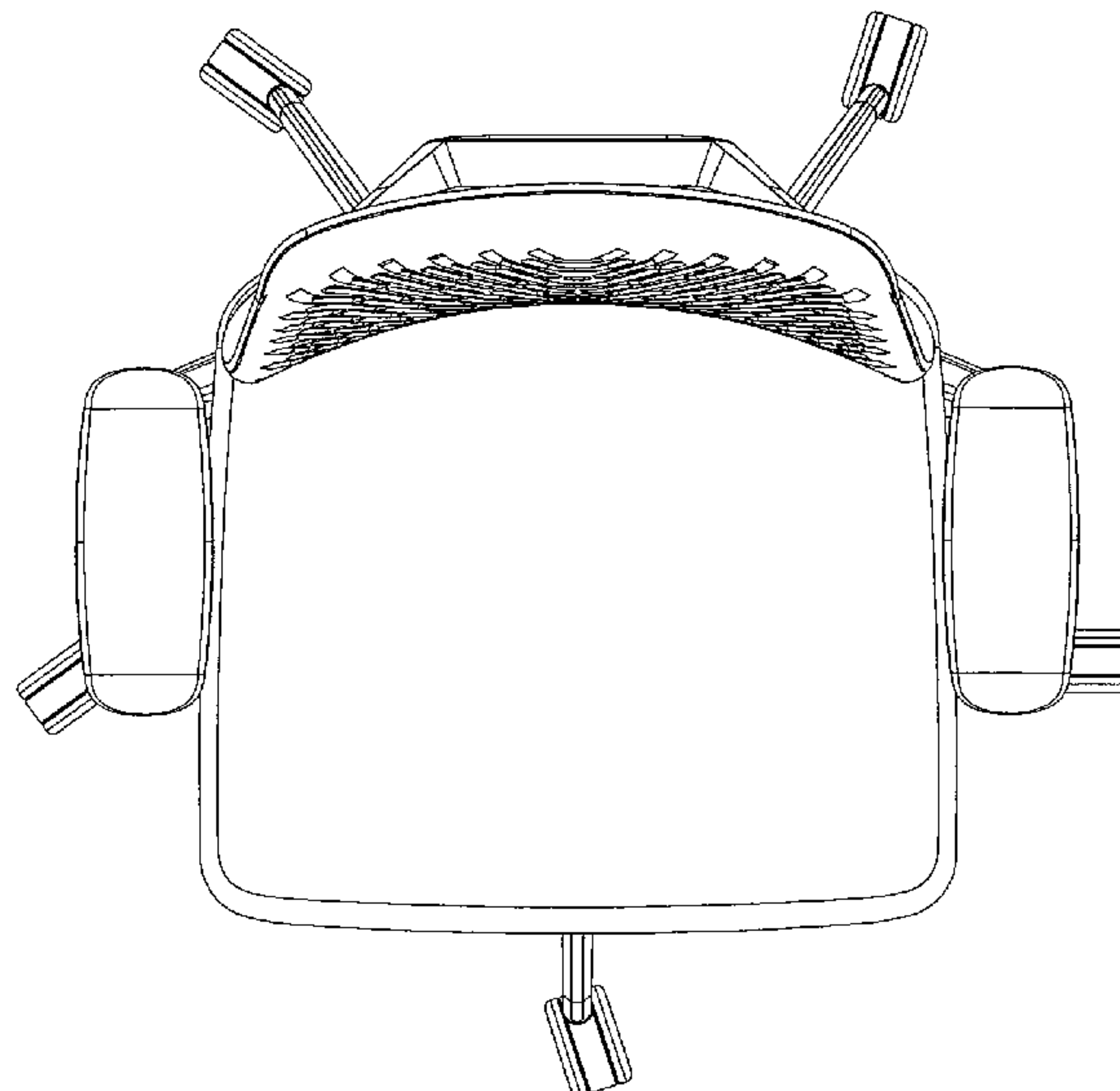
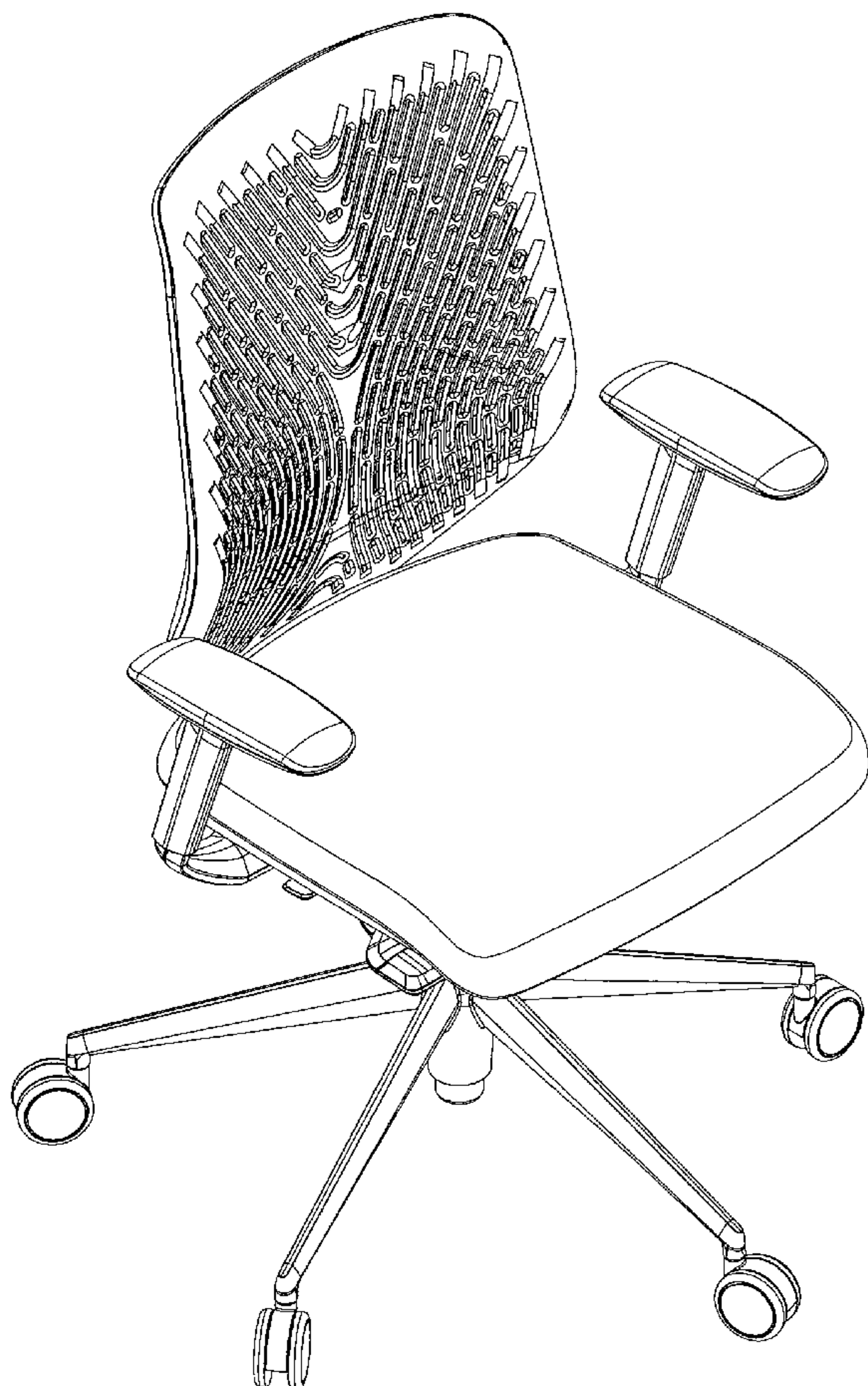
FIG. 4 is a right side elevation view thereof;

FIG. 5 is a rear elevation view thereof;

FIG. 6 is a bottom plan view thereof; and,

FIG. 7 is a left side elevation view thereof.

1 Claim, 7 Drawing Sheets



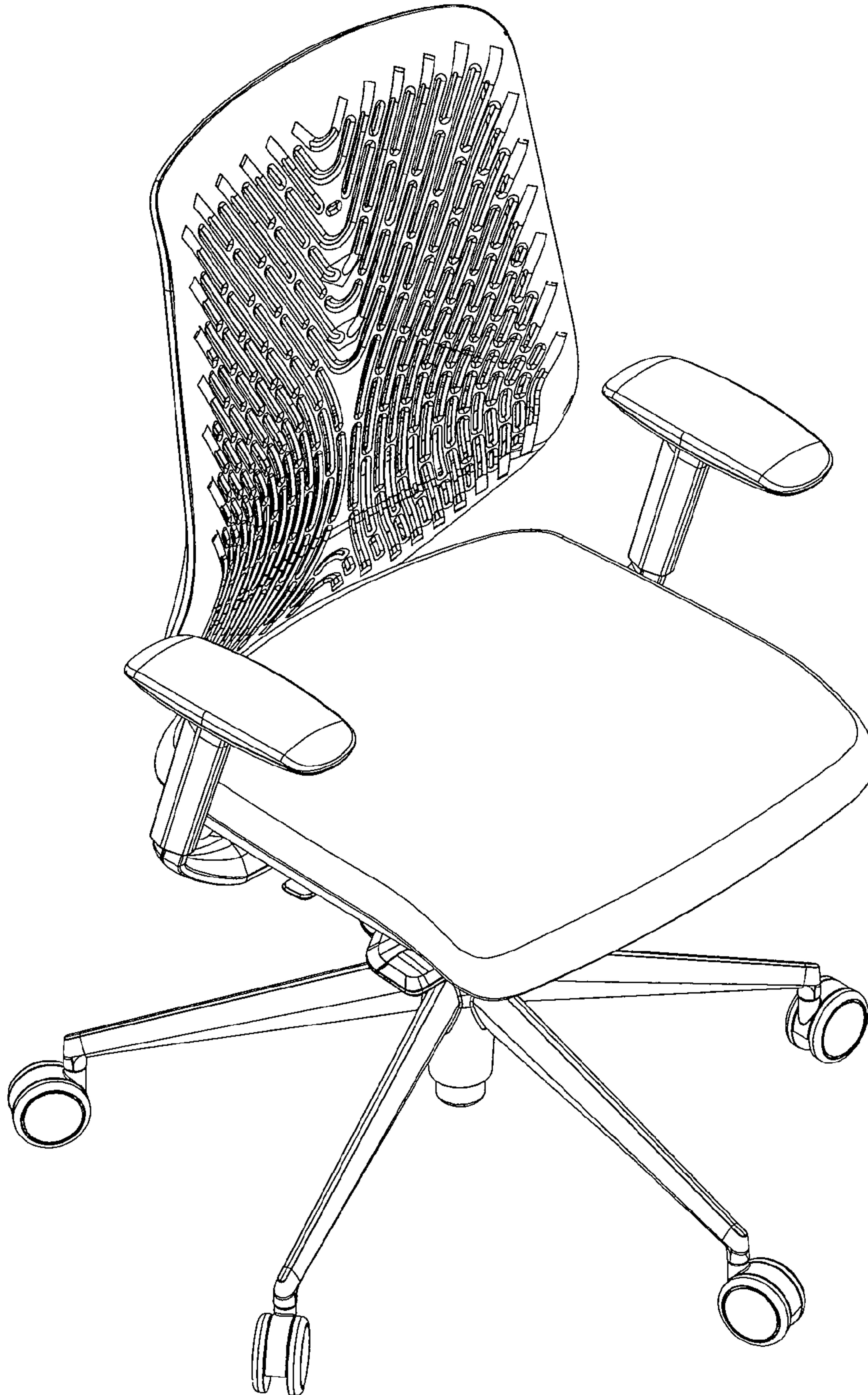


FIG. 1

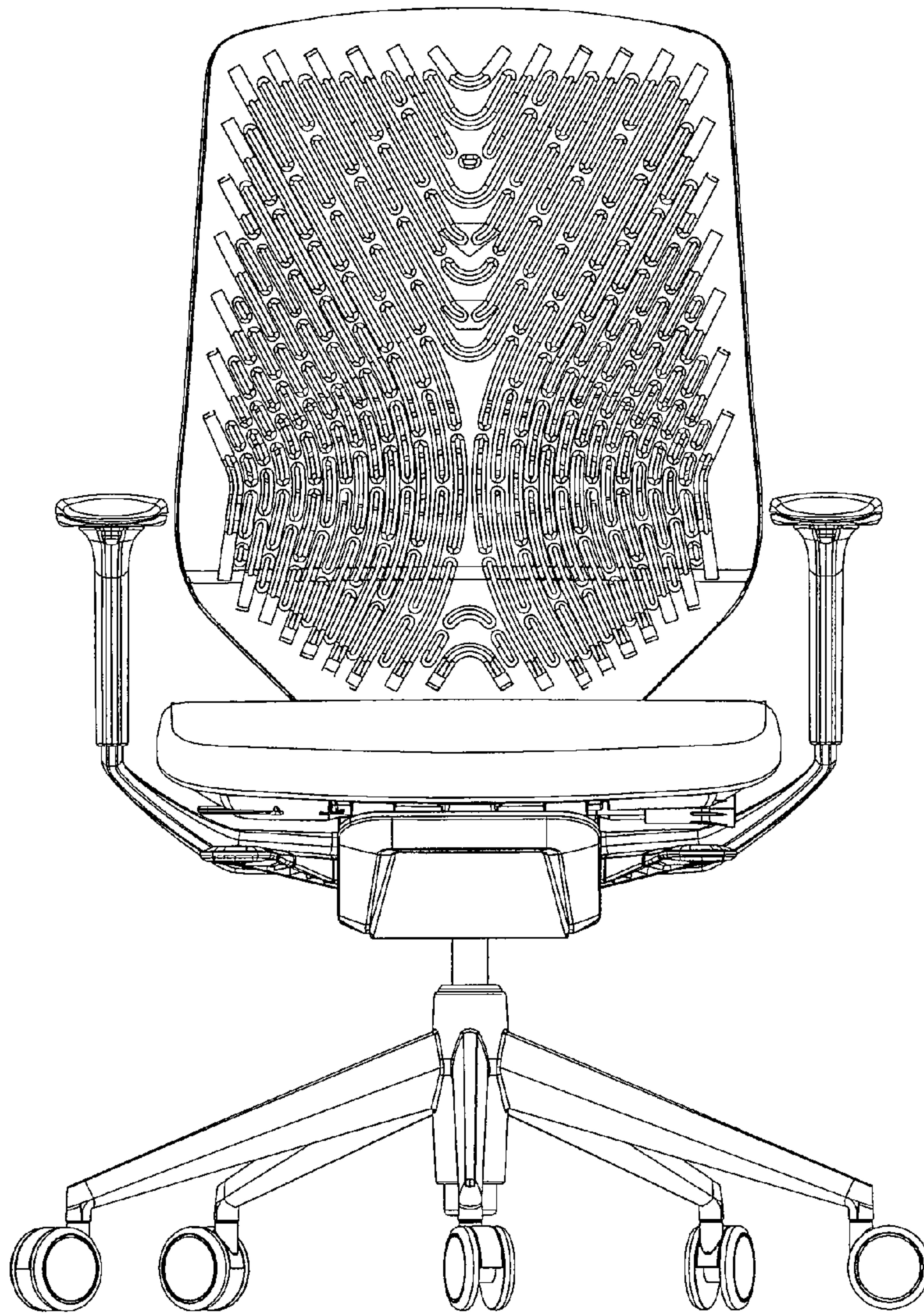


FIG. 2

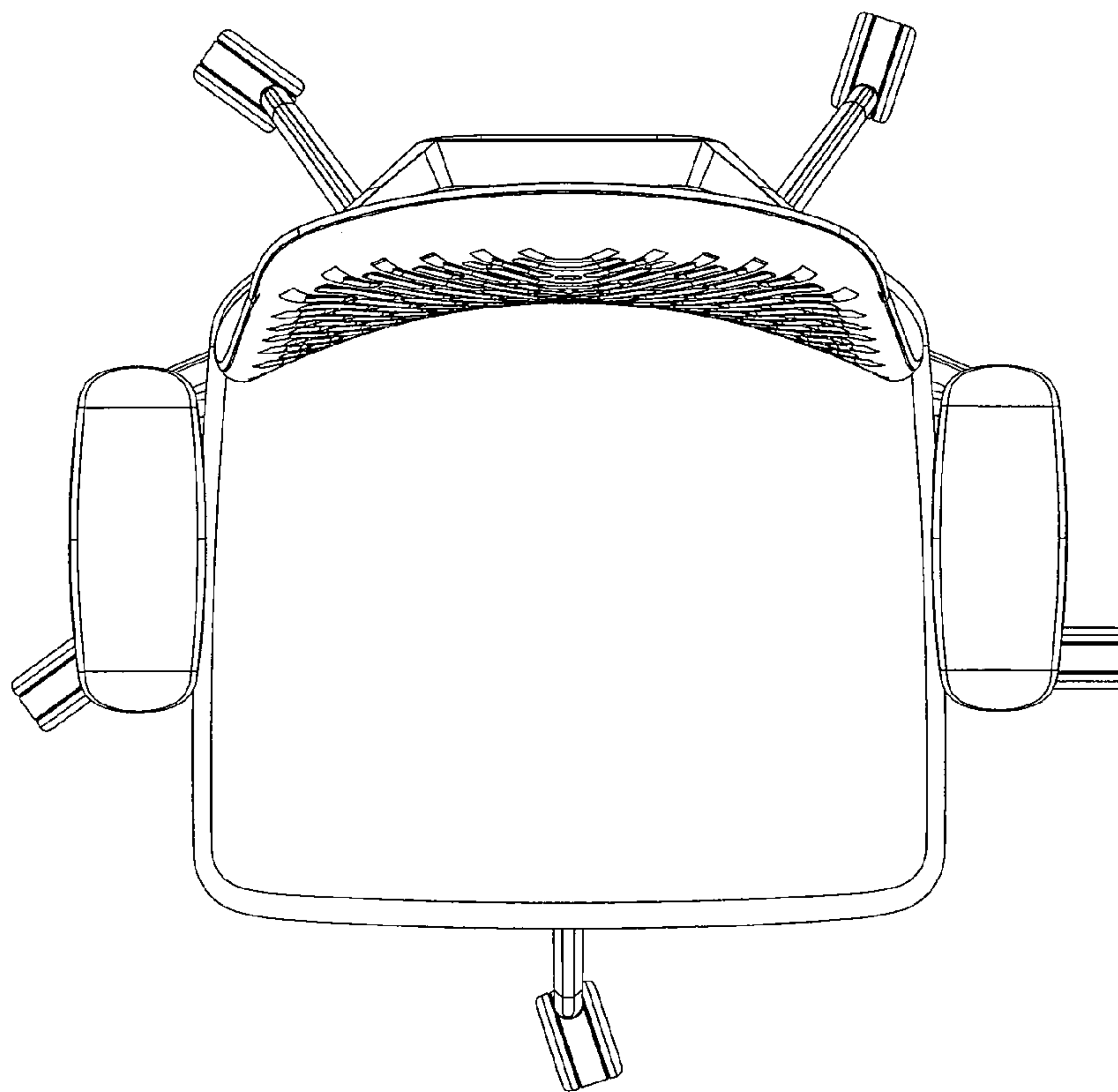


FIG. 3



FIG. 4

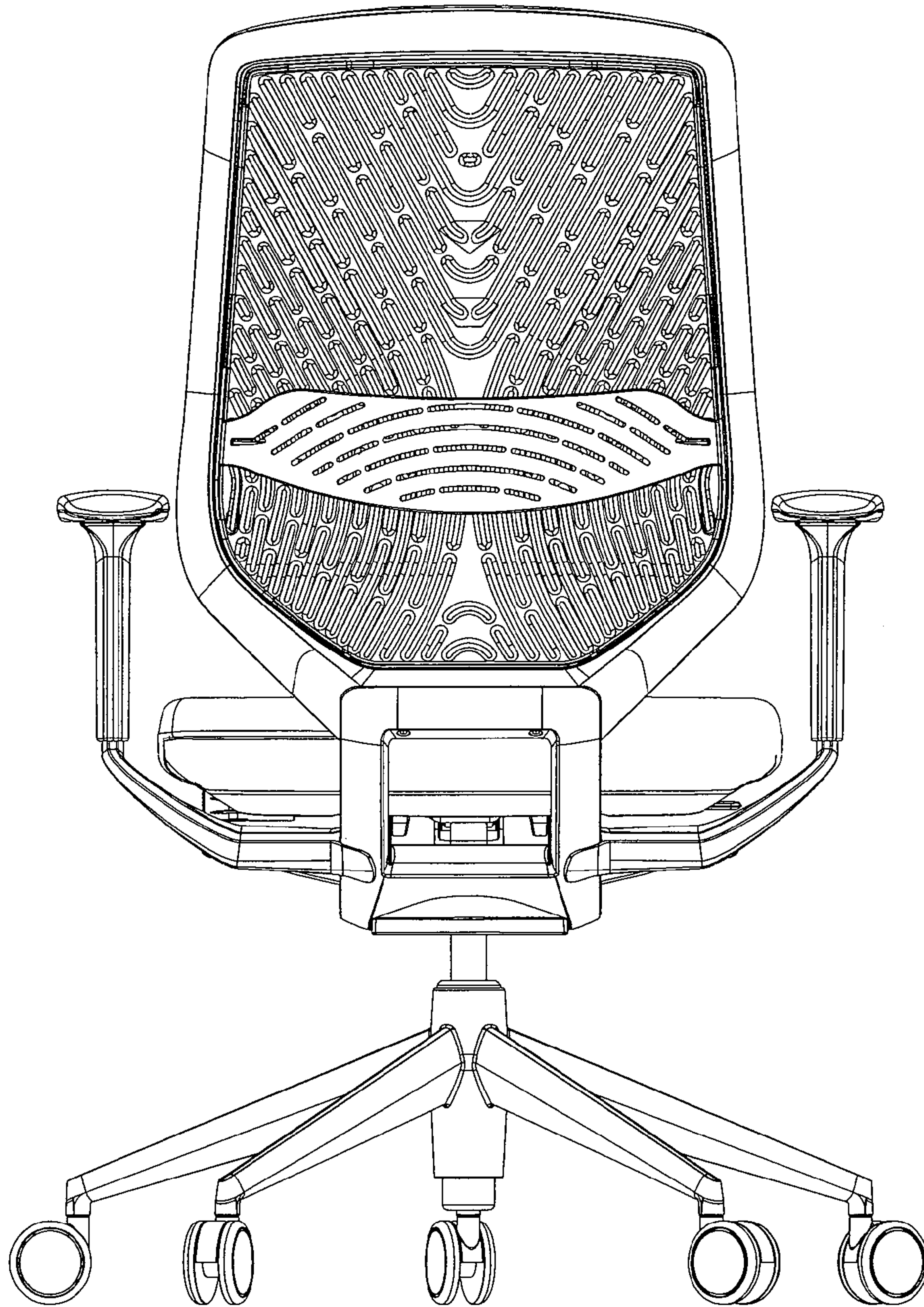


FIG. 5

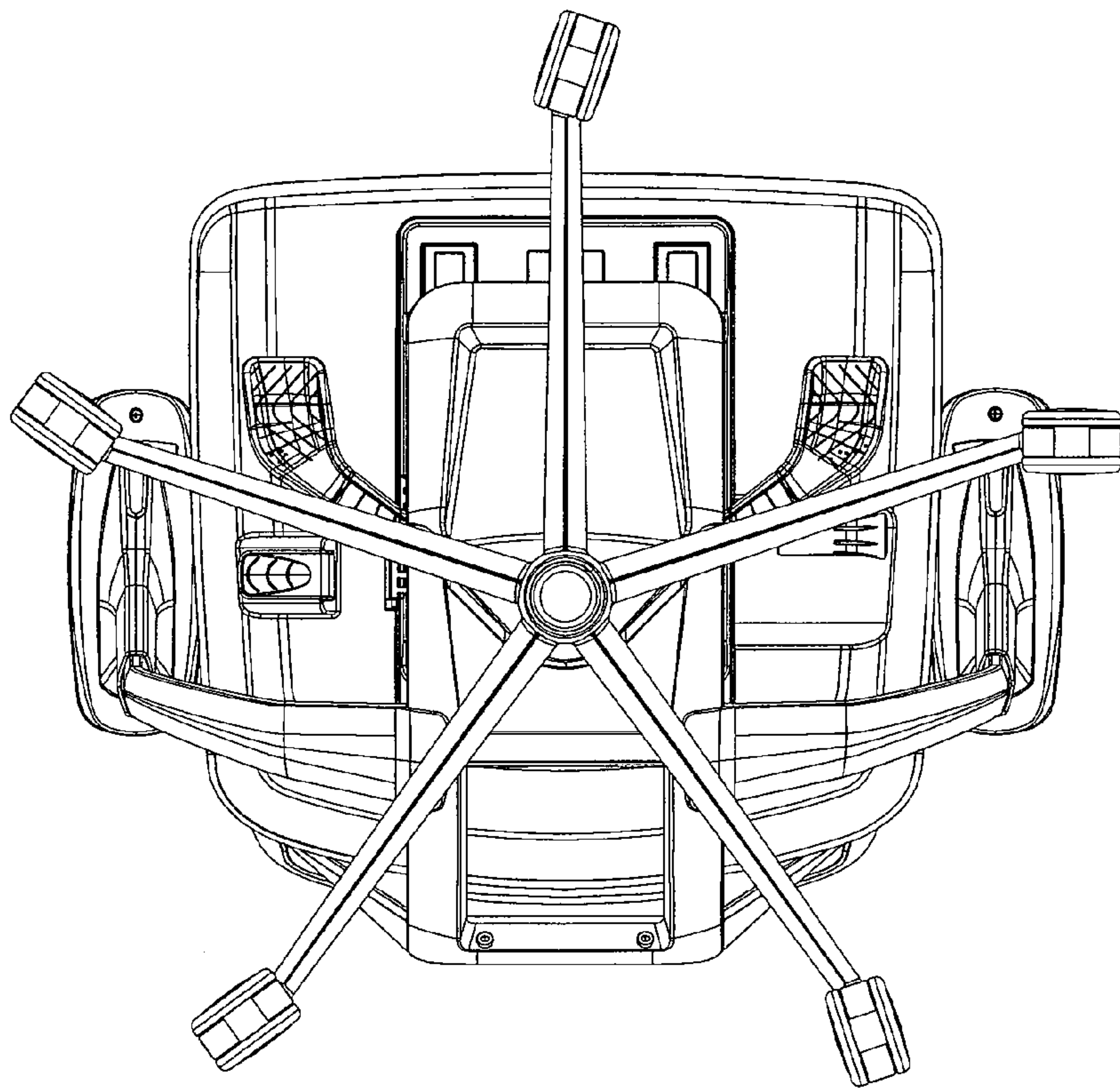


FIG. 6



FIG. 7