



US00D544719S

(12) **United States Design Patent**
Fanning

(10) **Patent No.:** **US D544,719 S**
(45) **Date of Patent:** **** Jun. 19, 2007**

(54) **CHAIR**

(76) Inventor: **Michael E. Fanning**, 149 Chere Helen Dr., Mooresville, NC (US) 28115-7911

(**) Term: **14 Years**

(21) Appl. No.: **29/248,539**

(22) Filed: **Aug. 21, 2006**

(51) **LOC (8) Cl.** **06-01**

(52) **U.S. Cl.** **D6/364**

(58) **Field of Classification Search** D6/334-336,
D6/360, 361, 364, 365, 366, 368, 374, 375,
D6/500-502; D12/209, 211; 297/230.1,
297/411.2, 411.44, 411.45, 452.11

See application file for complete search history.

(56) **References Cited**

U.S. PATENT DOCUMENTS

D204,374 S *	4/1966	Berstrom	D6/364
D348,786 S *	7/1994	Tolleson et al.	D6/366
D386,622 S *	11/1997	Kelley et al.	D6/366
D401,428 S *	11/1998	Kaczmarek	D6/366
D403,519 S *	1/1999	Stafford	D6/366
D408,162 S *	4/1999	Olson et al.	D6/366
D449,171 S *	10/2001	Kyle	D6/364
D468,122 S *	1/2003	Schweikarth et al.	D6/366
D477,267 S *	7/2003	Chung	D12/211
D508,790 S *	8/2005	Natuzzi	D6/364
D517,969 S *	3/2006	Brouillette et al.	D12/209
D521,435 S *	5/2006	Fitzgerald	D12/209
D524,713 S *	7/2006	Brouillette et al.	D12/211

* cited by examiner

Primary Examiner—Mimosa De

(74) *Attorney, Agent, or Firm*—Alston & Bird LLP

(57) **CLAIM**

The ornamental design for a chair, as shown and described.

DESCRIPTION

FIG. 1 is a front perspective view of a chair according to an embodiment of the present invention;

FIG. 2 is a front elevational view of the chair shown in FIG. 1;

FIG. 3 is a rear elevational view of the chair shown in FIG. 1;

FIG. 4 is a right side elevational view of the chair shown in FIG. 1;

FIG. 5 is a left side elevational view of the chair shown in FIG. 1;

FIG. 6 is a top plan view of a chair shown in FIG. 1;

FIG. 7 is a bottom plan view of the chair shown in FIG. 1;

FIG. 8 is a front perspective view of a chair according to another embodiment of the present invention;

FIG. 9 is a front elevational view of the chair shown in FIG. 8;

FIG. 10 is a rear elevational view of the chair shown in FIG. 8;

FIG. 11 is a right side elevational view of the chair shown in FIG. 8;

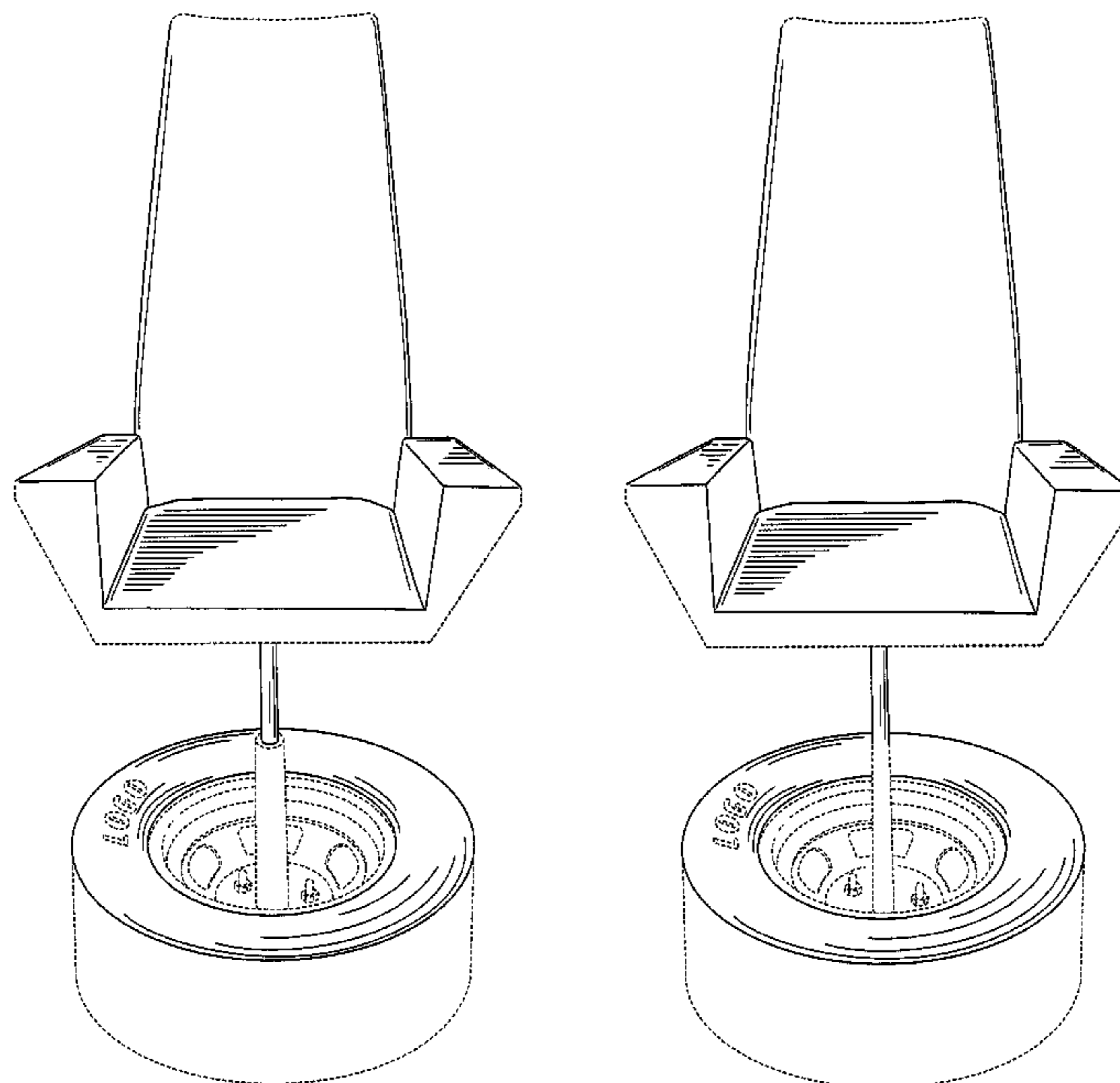
FIG. 12 is a left side elevational view of the chair shown in FIG. 8;

FIG. 13 is a top plan view of a chair shown in FIG. 8; and,

FIG. 14 is a bottom plan view of the chair shown in FIG. 8.

The broken lines shown herein form no part of the claimed design.

1 Claim, 14 Drawing Sheets



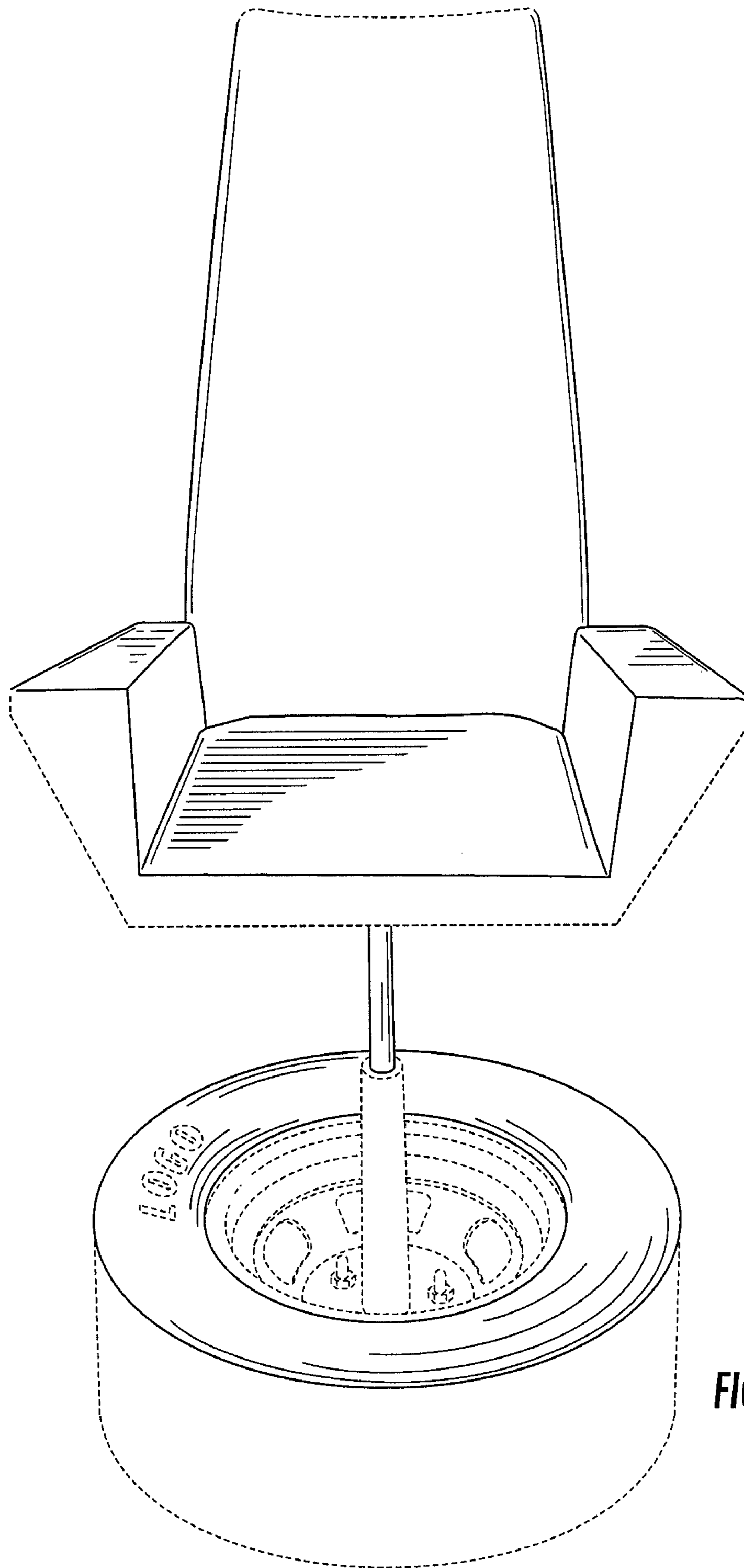


FIG. 1

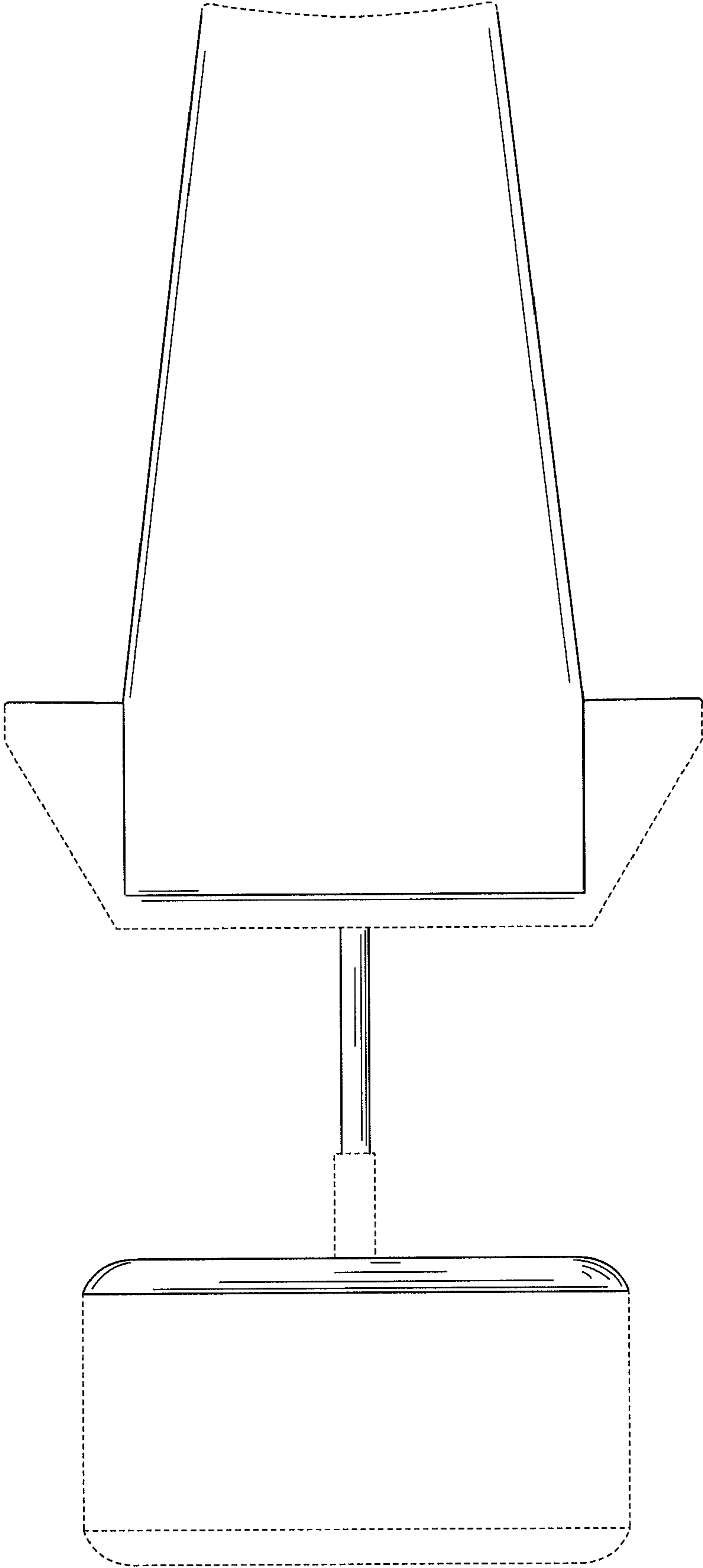


FIG. 2

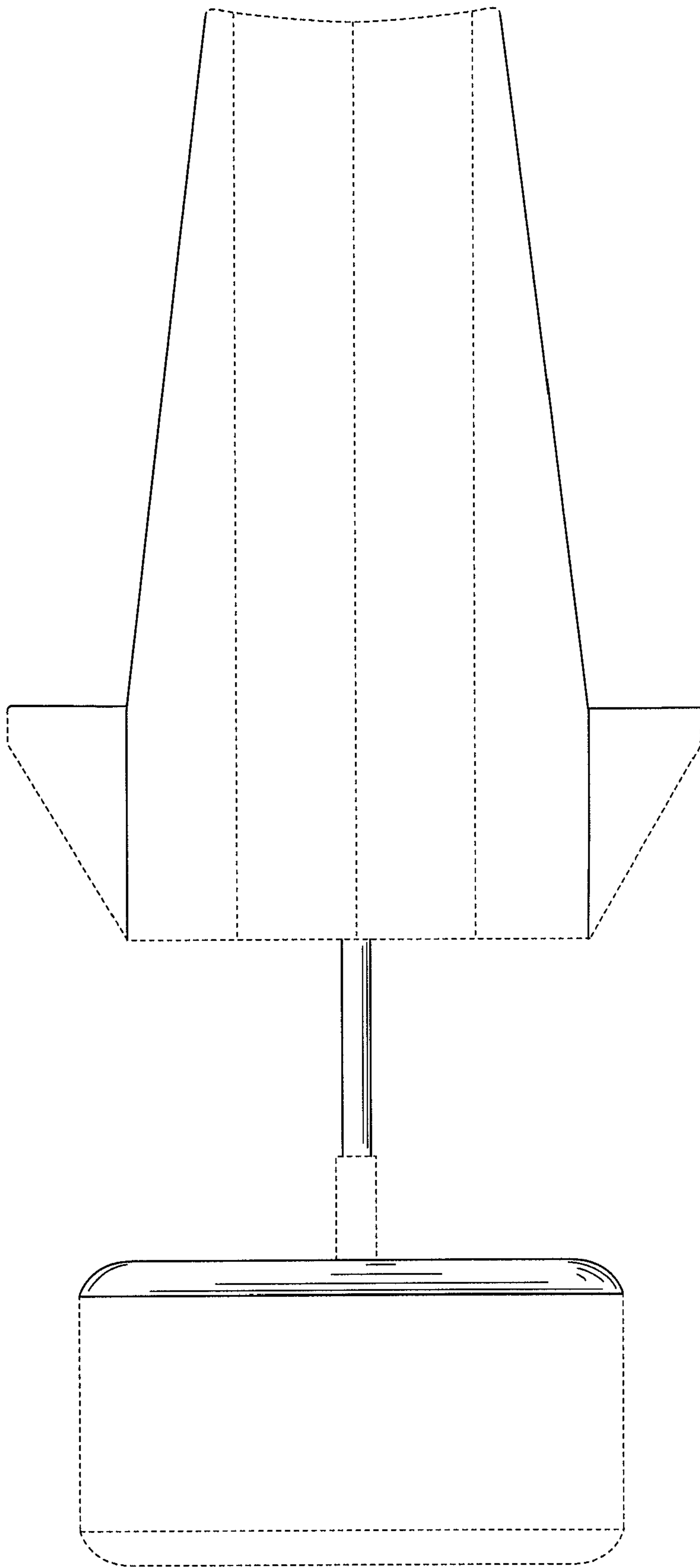


FIG. 3

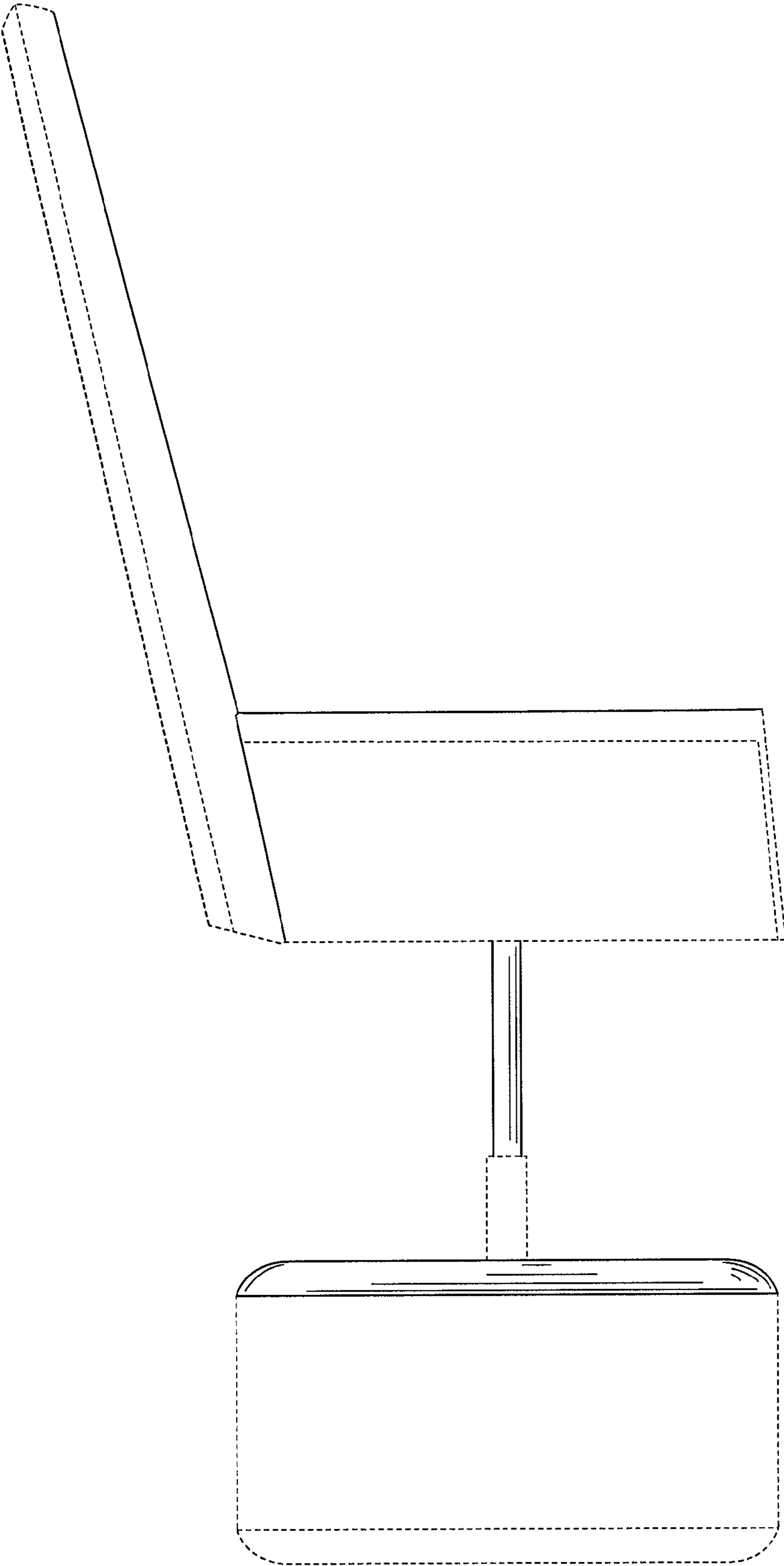


FIG. 4

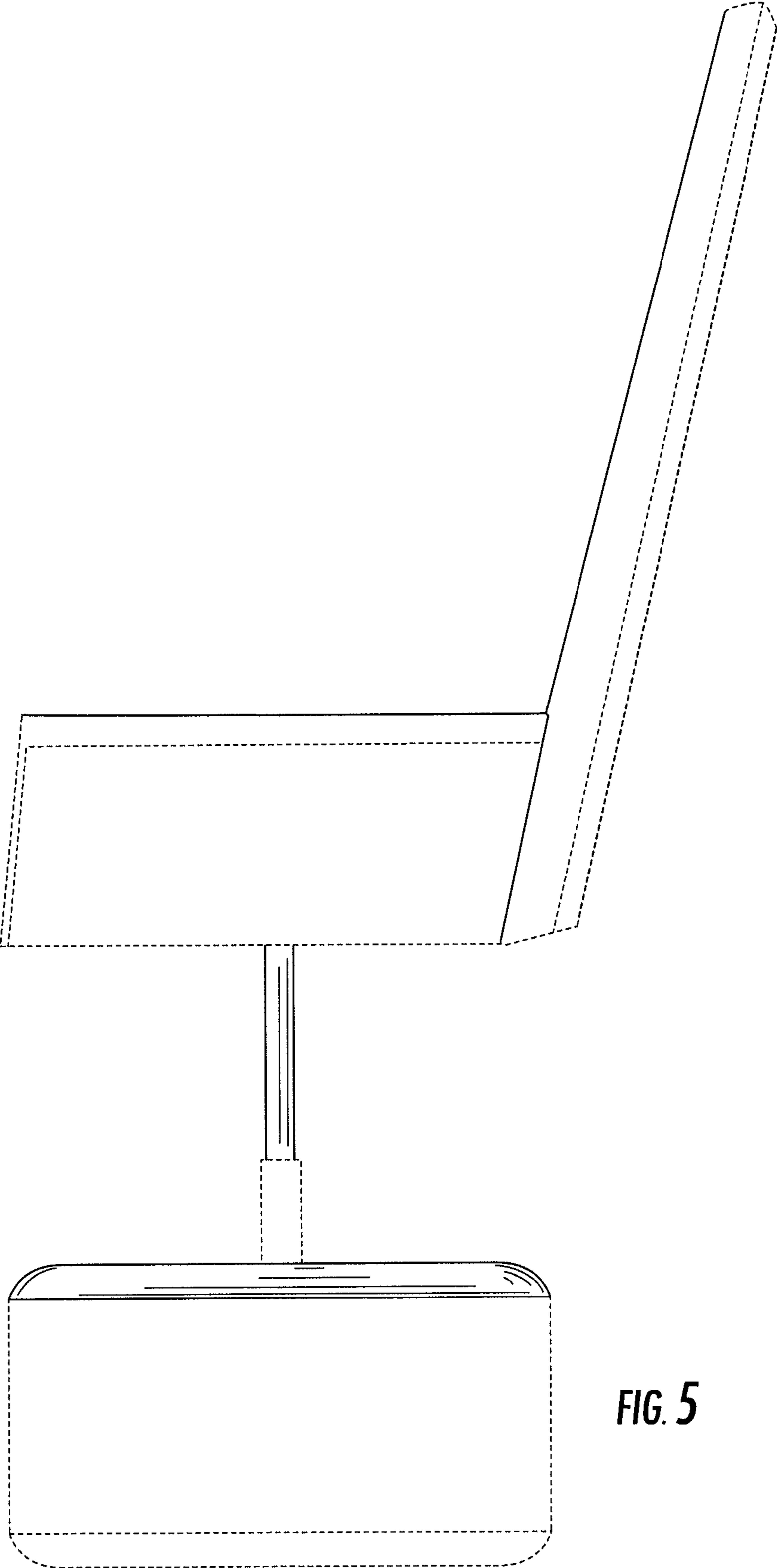


FIG. 5

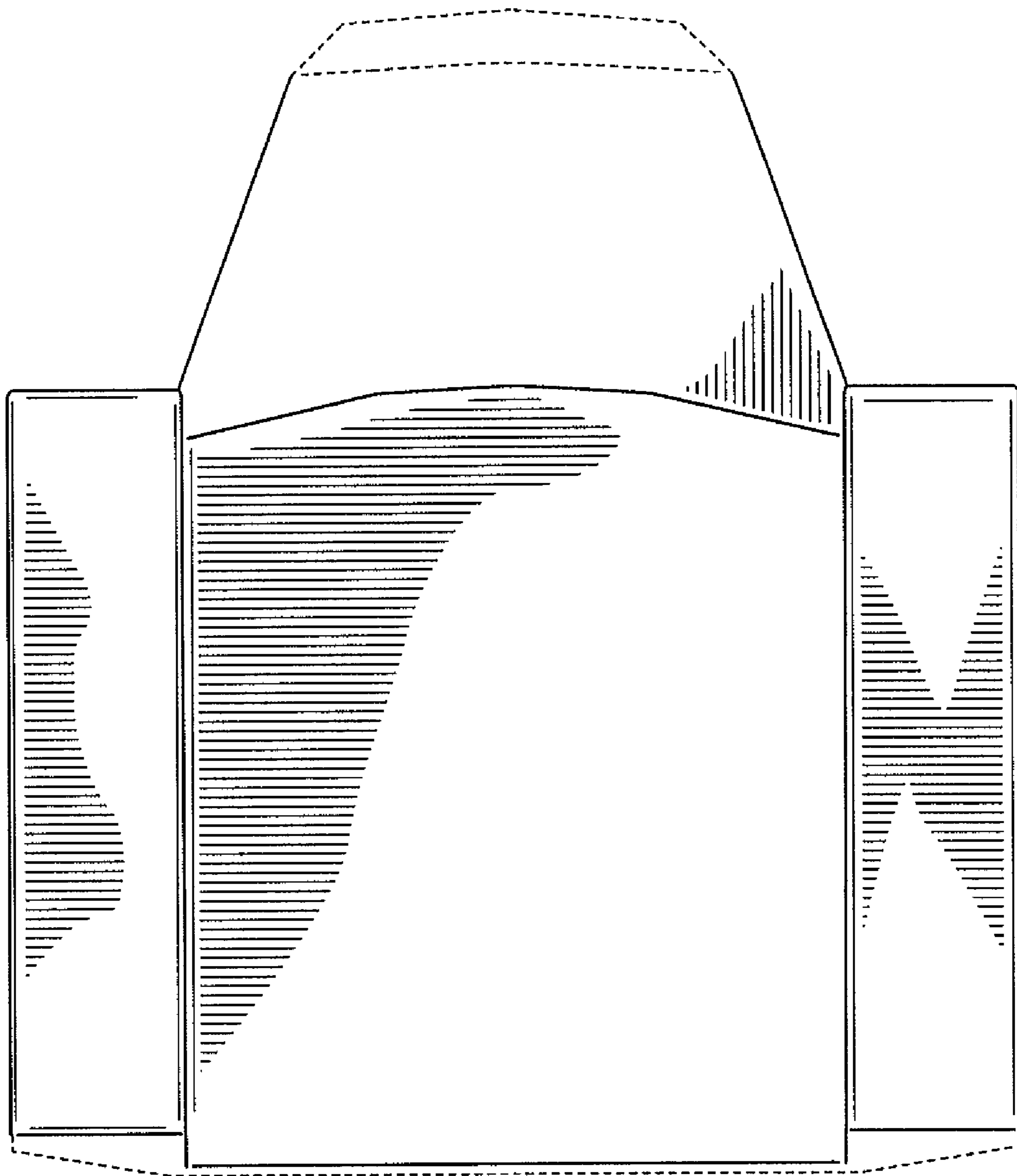


FIG. 6

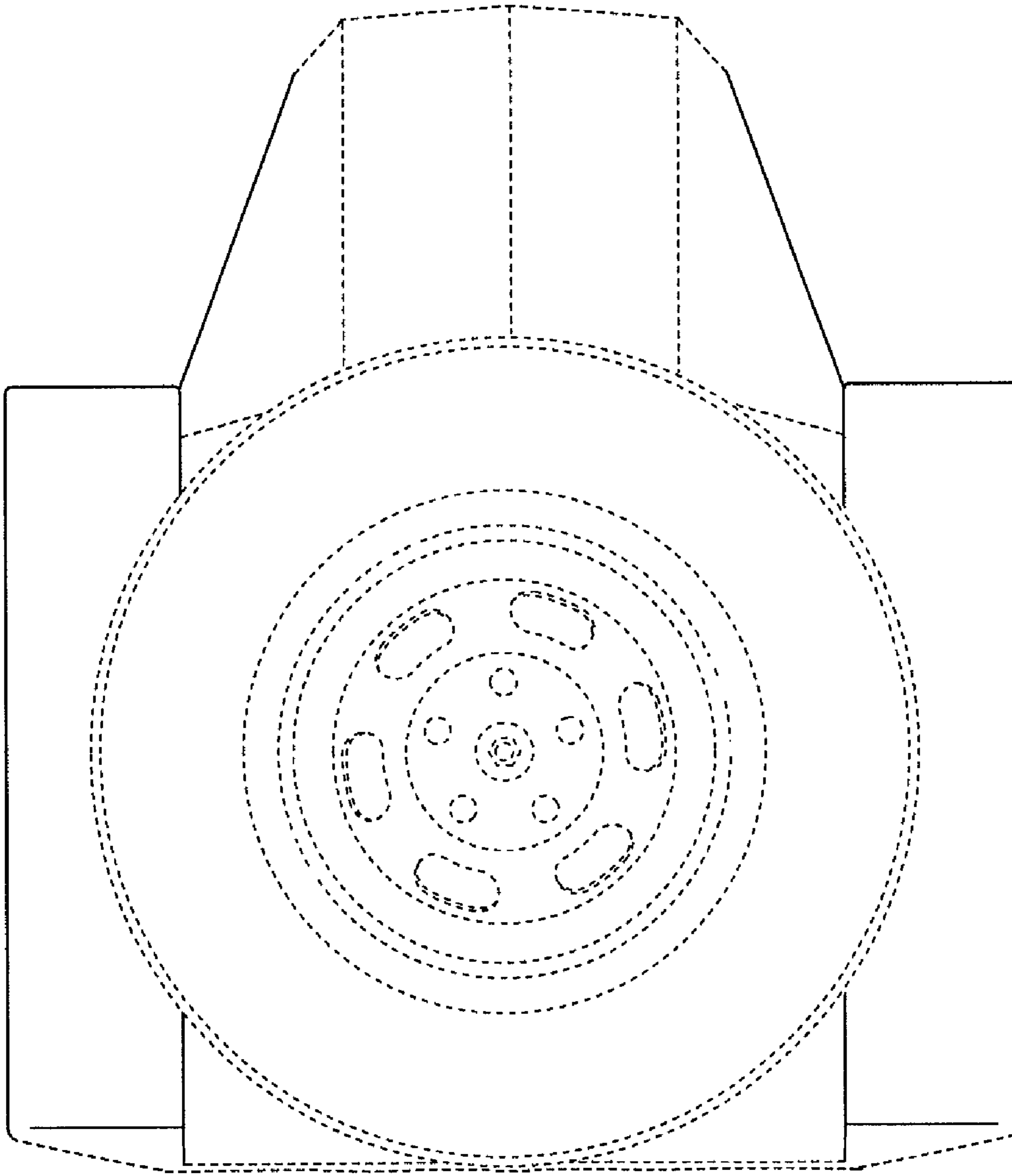


FIG. 7

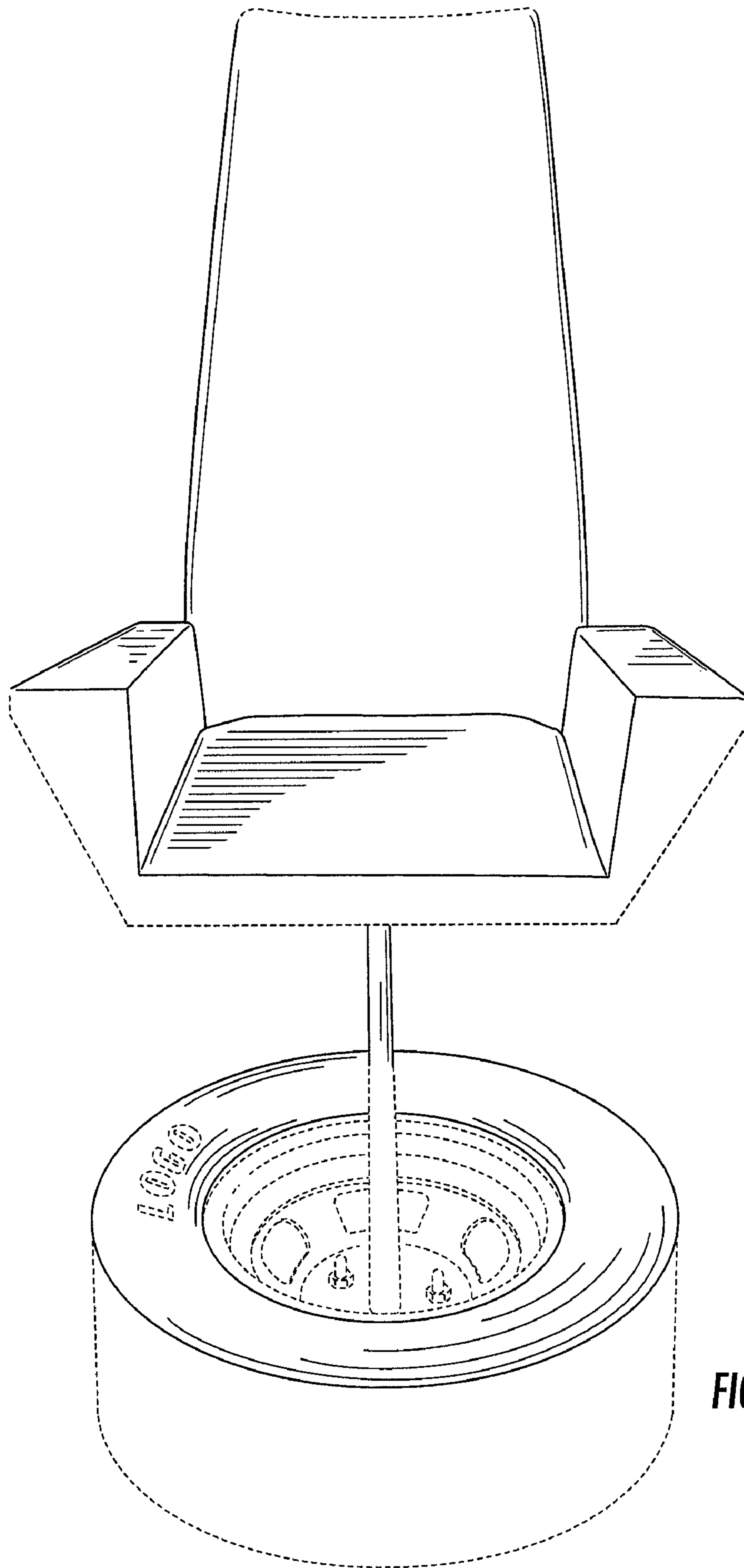


FIG. 8

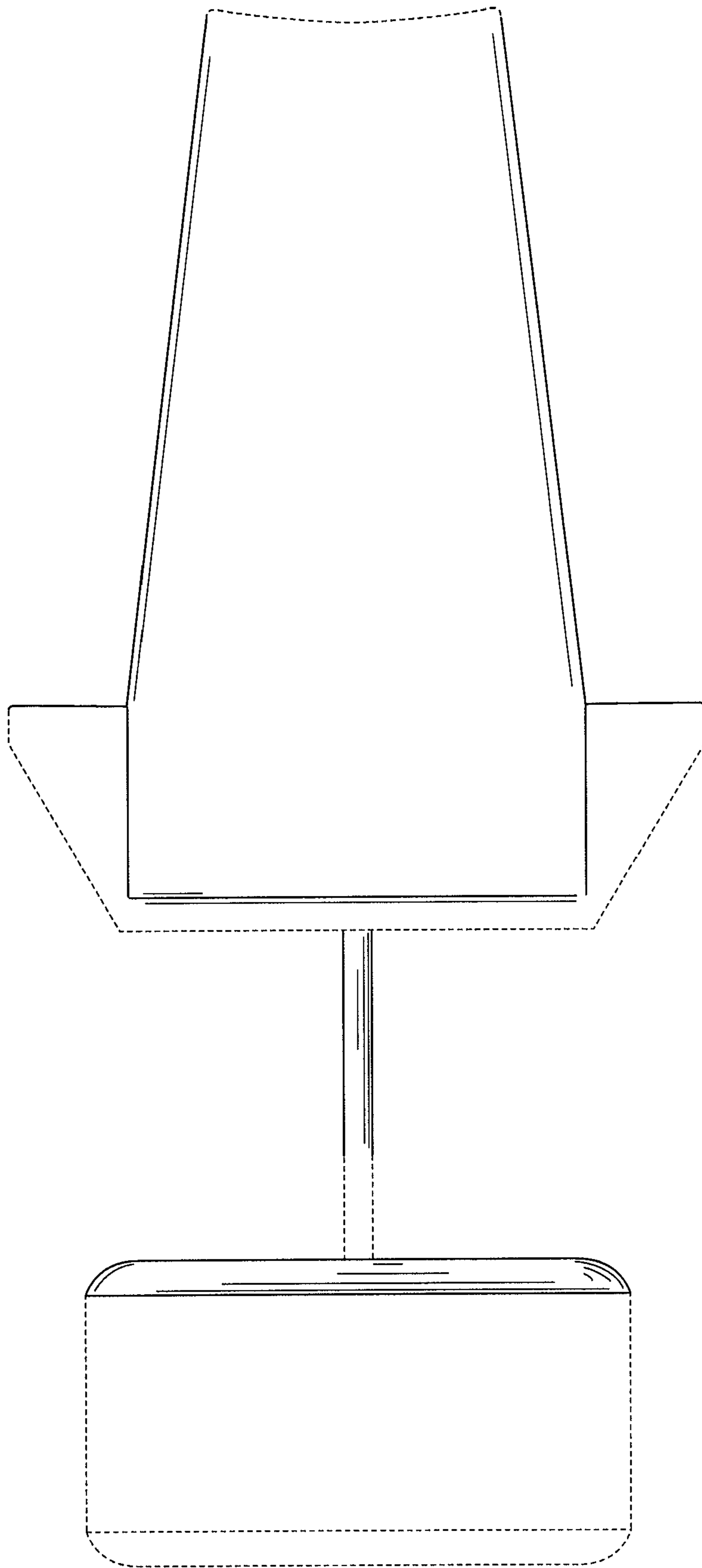


FIG. 9

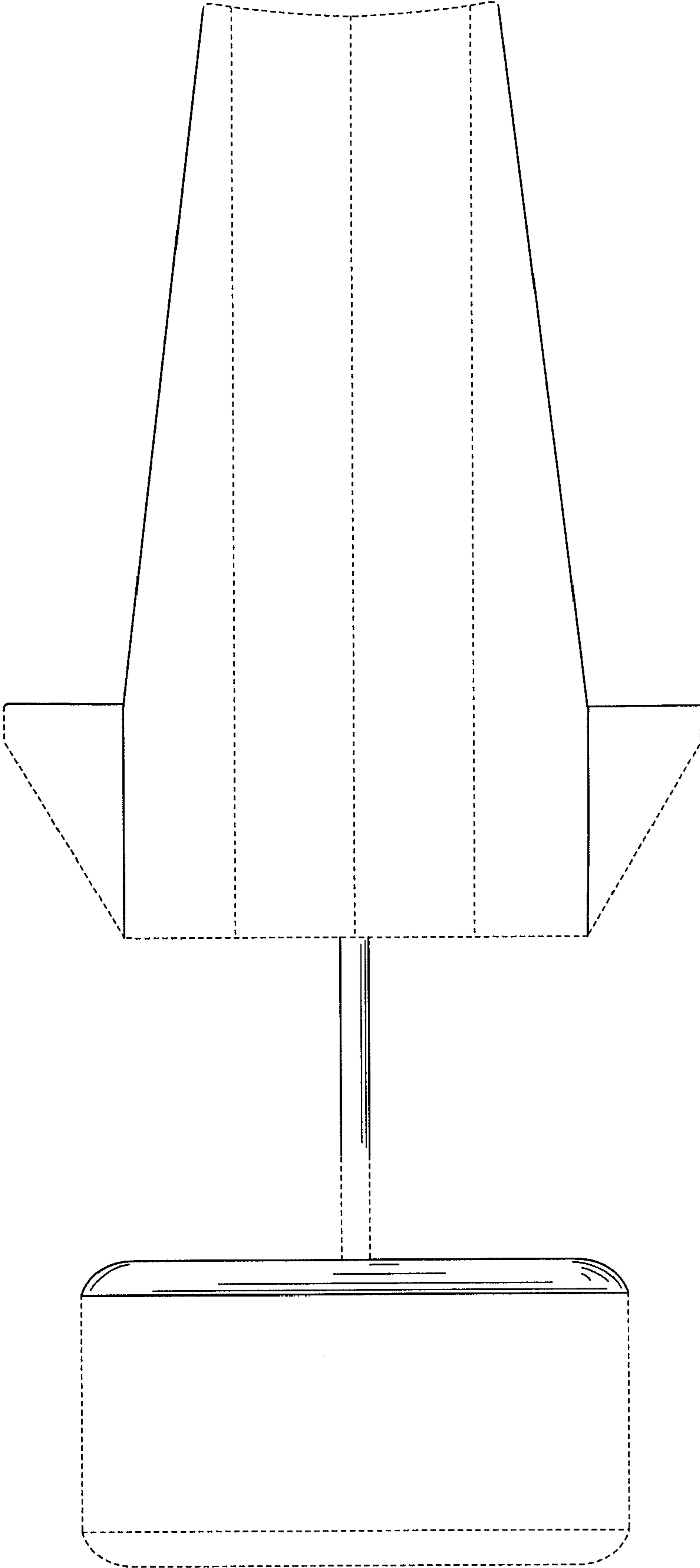


FIG. 10

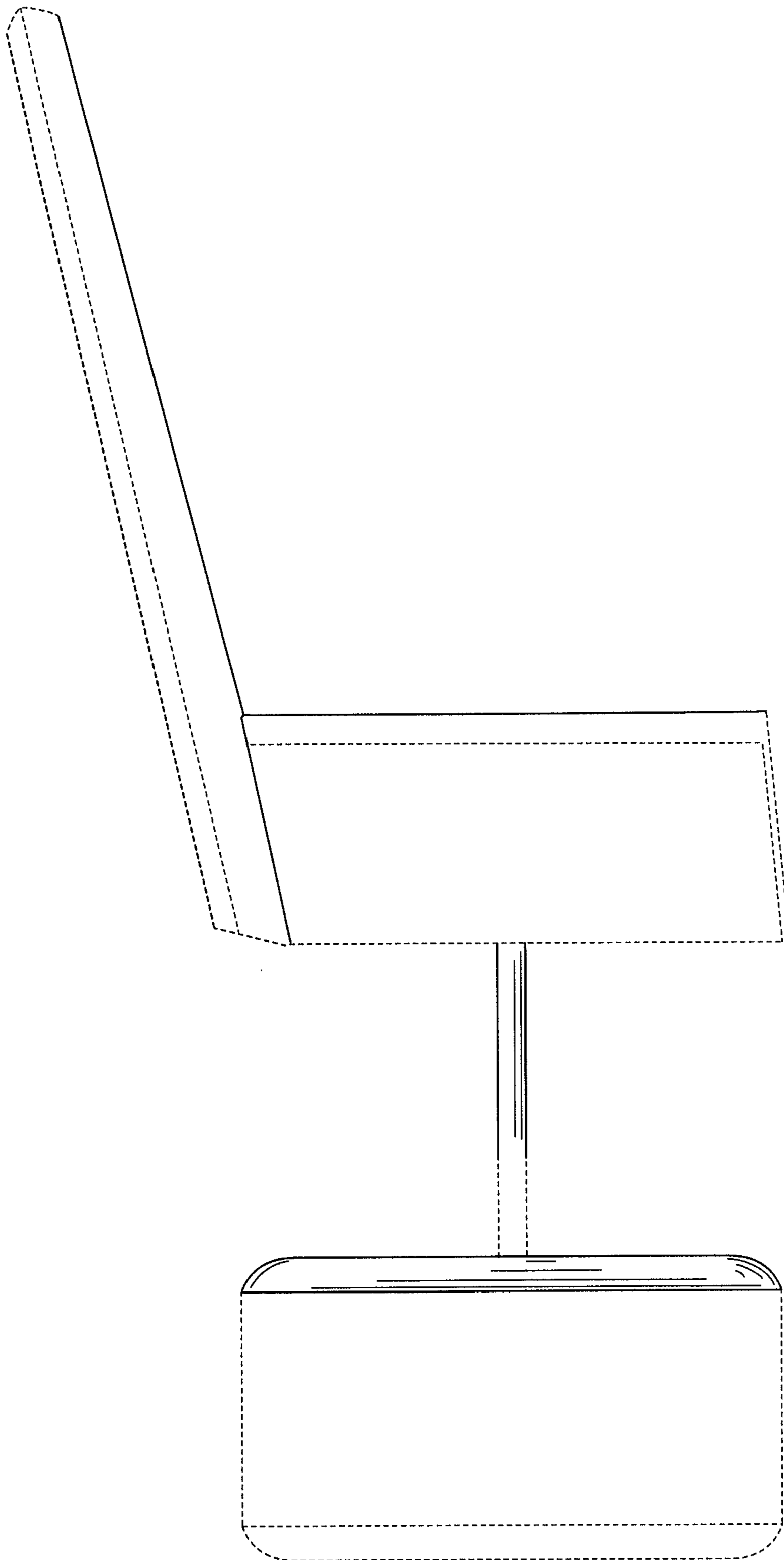


FIG. 11

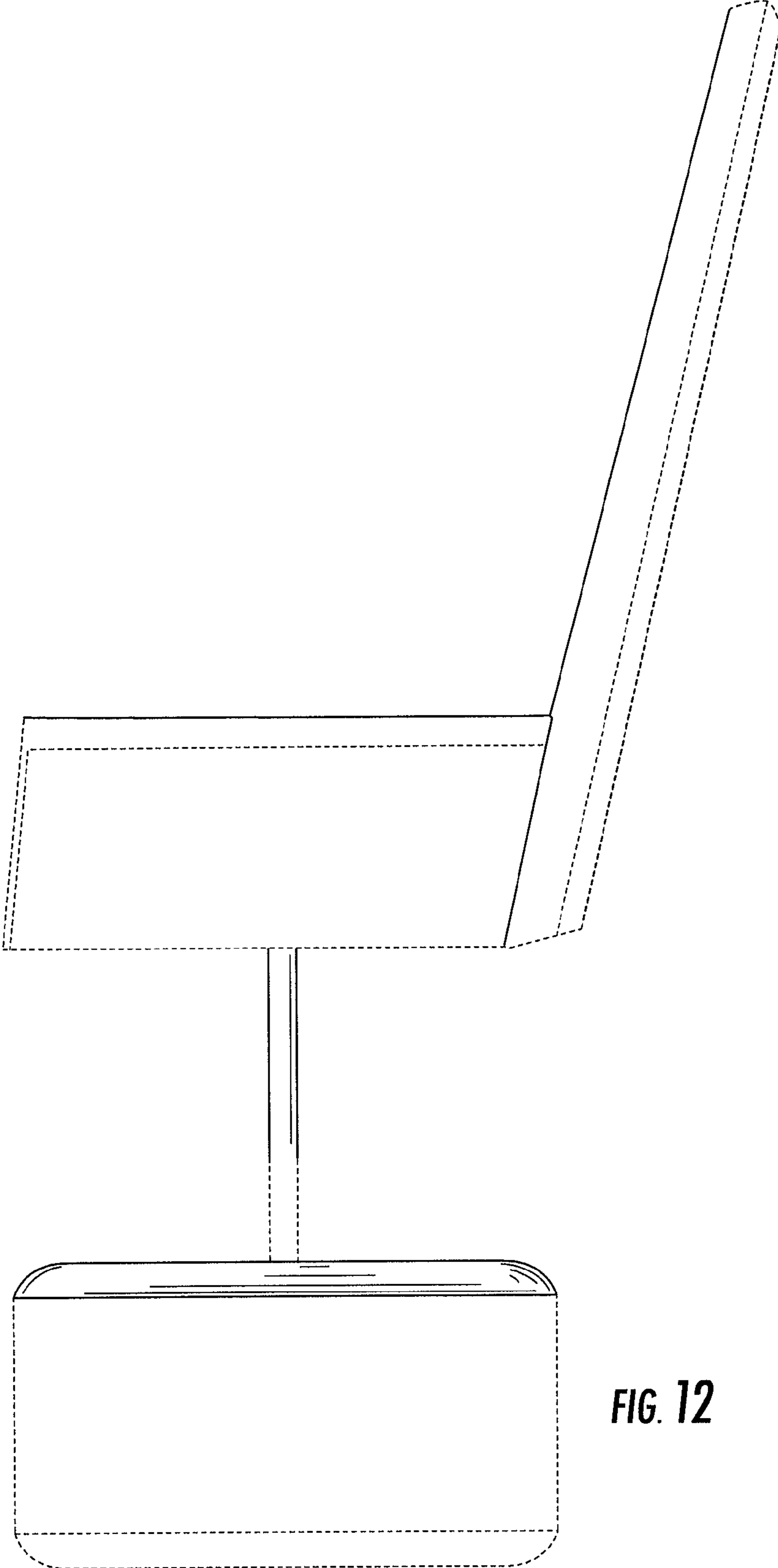


FIG. 12

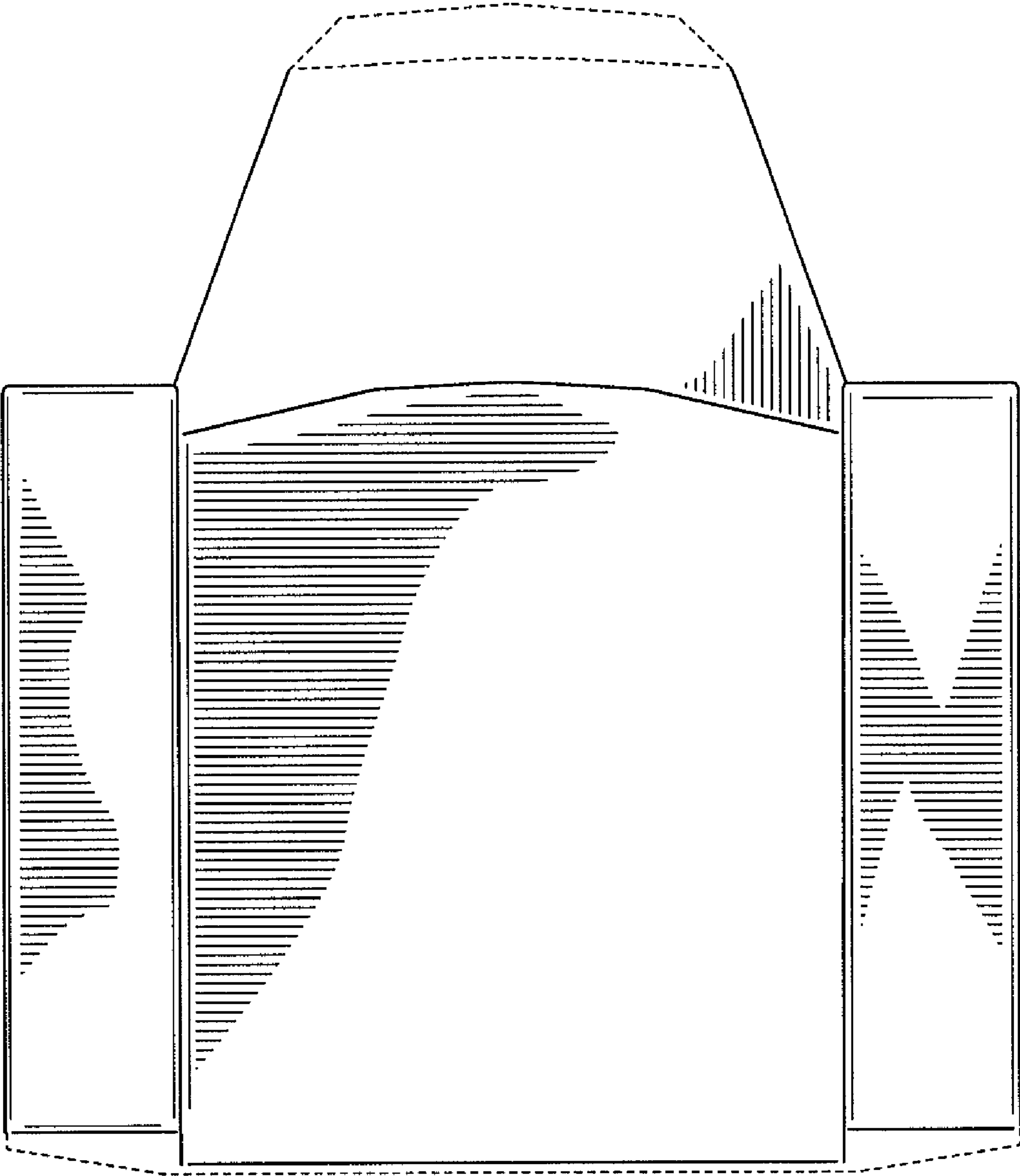


FIG. 13

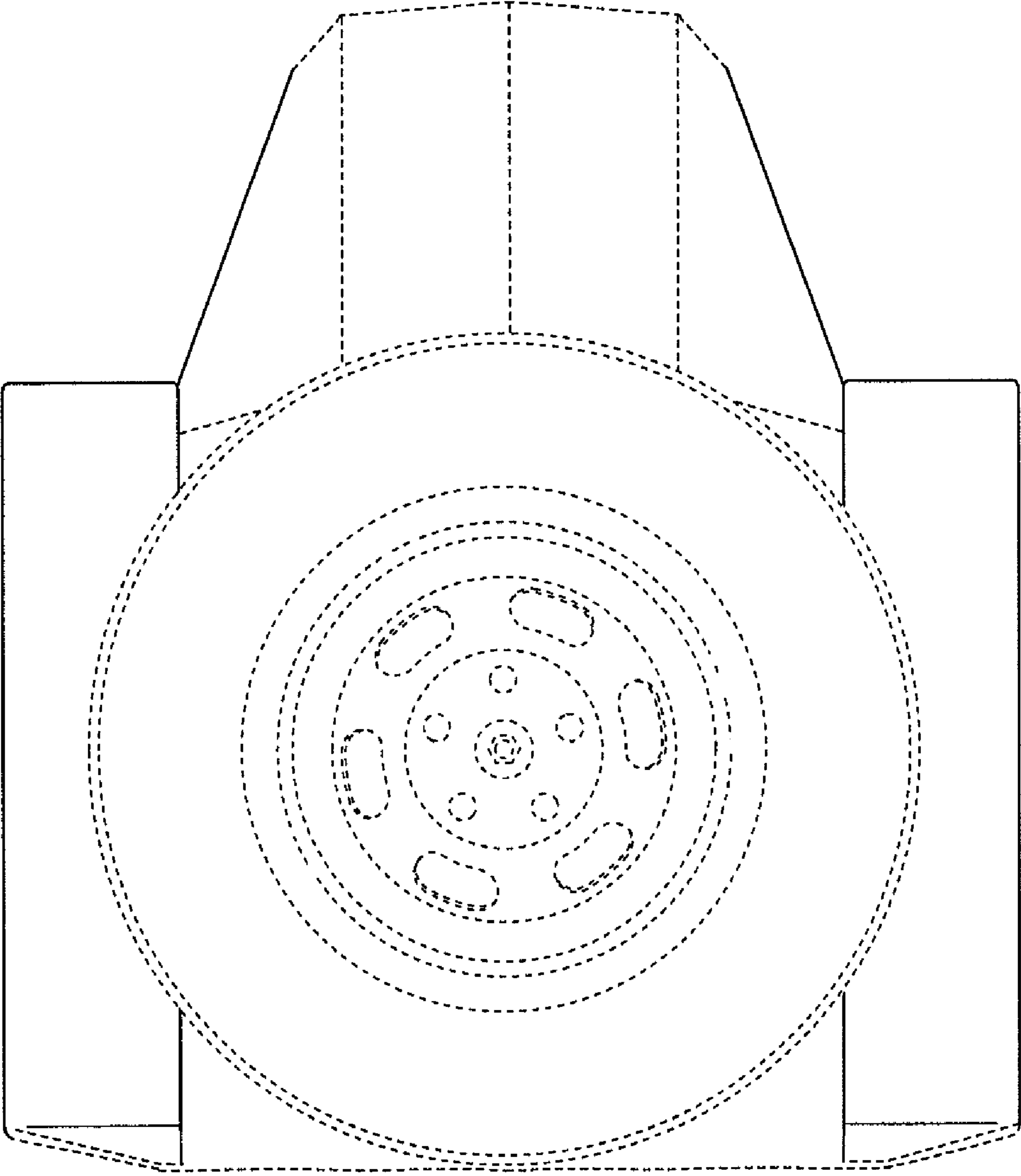


FIG. 14