



US00D544718S

(12) **United States Design Patent**
Stilwell et al.

(10) **Patent No.:** **US D544,718 S**

(45) **Date of Patent:** **** Jun. 19, 2007**

(54) **GLIDER ROCKER**

(75) Inventors: **Rex Ronell Stilwell**, Lenoir, NC (US);
Michael W. Brooks, New Tazewell, TN (US)

(73) Assignee: **Brooks Furniture Manufacturing, Inc.**, Tazewell, TN (US)

(**) Term: **14 Years**

(21) Appl. No.: **29/257,619**

(22) Filed: **Apr. 7, 2006**

(51) **LOC (8) Cl.** **06-01**

(52) **U.S. Cl.** **D6/344**

(58) **Field of Classification Search** D6/334-336,
D6/344, 347, 348, 370, 379, 380, 500-502;
297/259.3, 270.1, 271.6, 273, 281, 282, 411.4,
297/411.45

See application file for complete search history.

(56) **References Cited**

U.S. PATENT DOCUMENTS

D24,285 S *	5/1895	Chandler	D6/374
D86,038 S *	1/1932	Macomber	D6/379
D332,704 S *	1/1993	Desnoyers	D6/347
D353,267 S *	12/1994	Desnoyers	D6/344
D362,969 S *	10/1995	Desnoyers	D6/344
D373,684 S *	9/1996	Desnoyers	D6/344
D391,409 S *	3/1998	Brooks	D6/344
D401,425 S *	11/1998	Desnoyers	D6/344
D406,947 S *	3/1999	Wang	D6/344
D426,078 S *	6/2000	Lange, Jr.	D6/344
D432,799 S *	10/2000	Christa	D6/344
D432,800 S *	10/2000	Christa	D6/344

D460,632 S * 7/2002 Brooks D6/344

* cited by examiner

Primary Examiner—Mimosa De

(74) *Attorney, Agent, or Firm*—Pitts & Brittan P.C.

(57) **CLAIM**

I claim the ornamental design for the glider rocker, as shown and described.

DESCRIPTION

FIG. 1 is a perspective view of a first embodiment of the design of the present invention for a glider rocker;

FIG. 2 is a right side view thereof; a left side view being a mirror image thereof;

FIG. 3 is a front view thereof;

FIG. 4 is a back view thereof;

FIG. 5 is a top view thereof; and

FIGS. 1, 2, 3, 4 and 5 illustrate with phantom lines, cushions which are shown for purposes of environment only.

FIG. 6 illustrates a perspective view of a second embodiment of the design of the present invention incorporating alternate, fluted back posts showing our new design;

FIG. 7 is a right side view thereof; a left side view being a mirror image thereof;

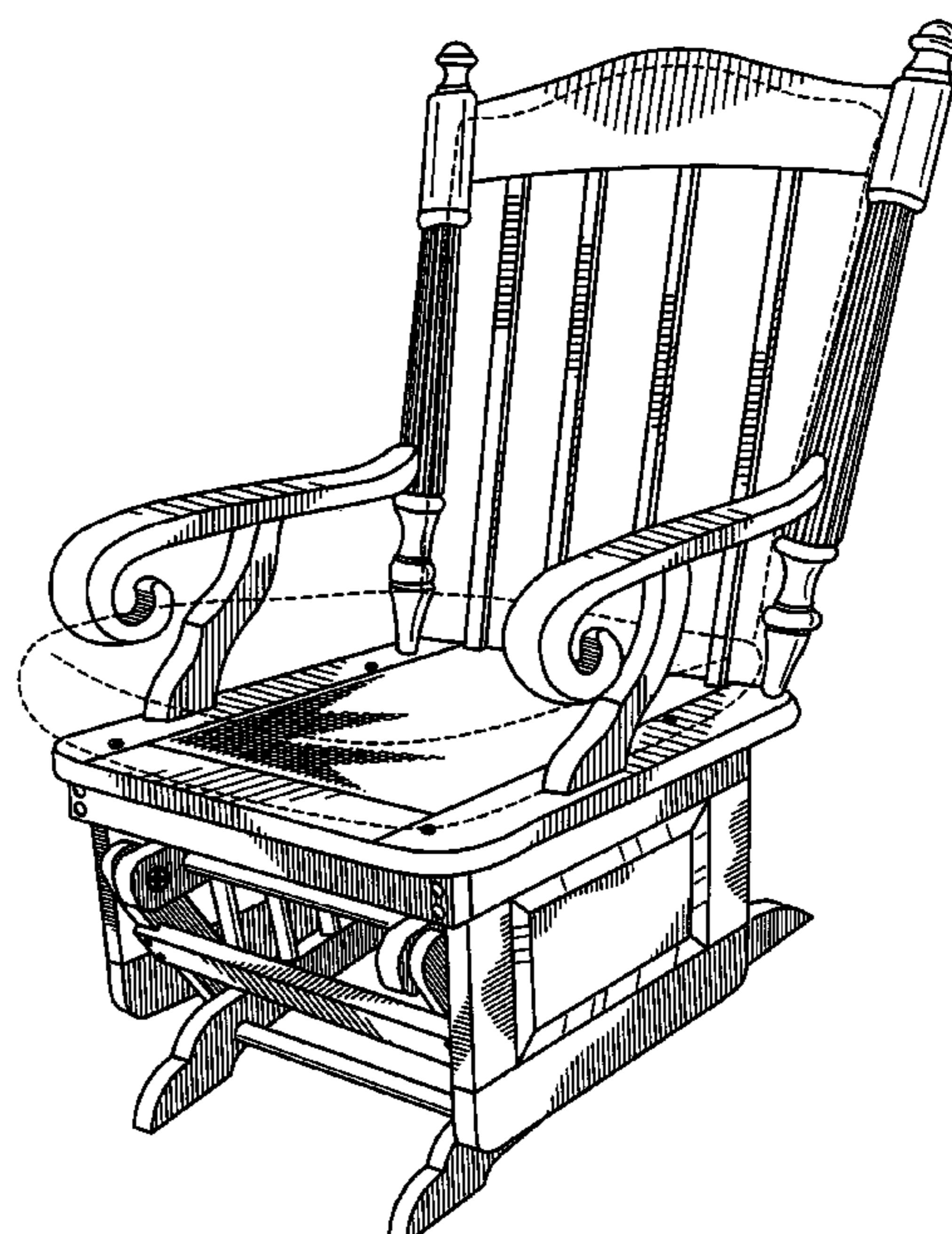
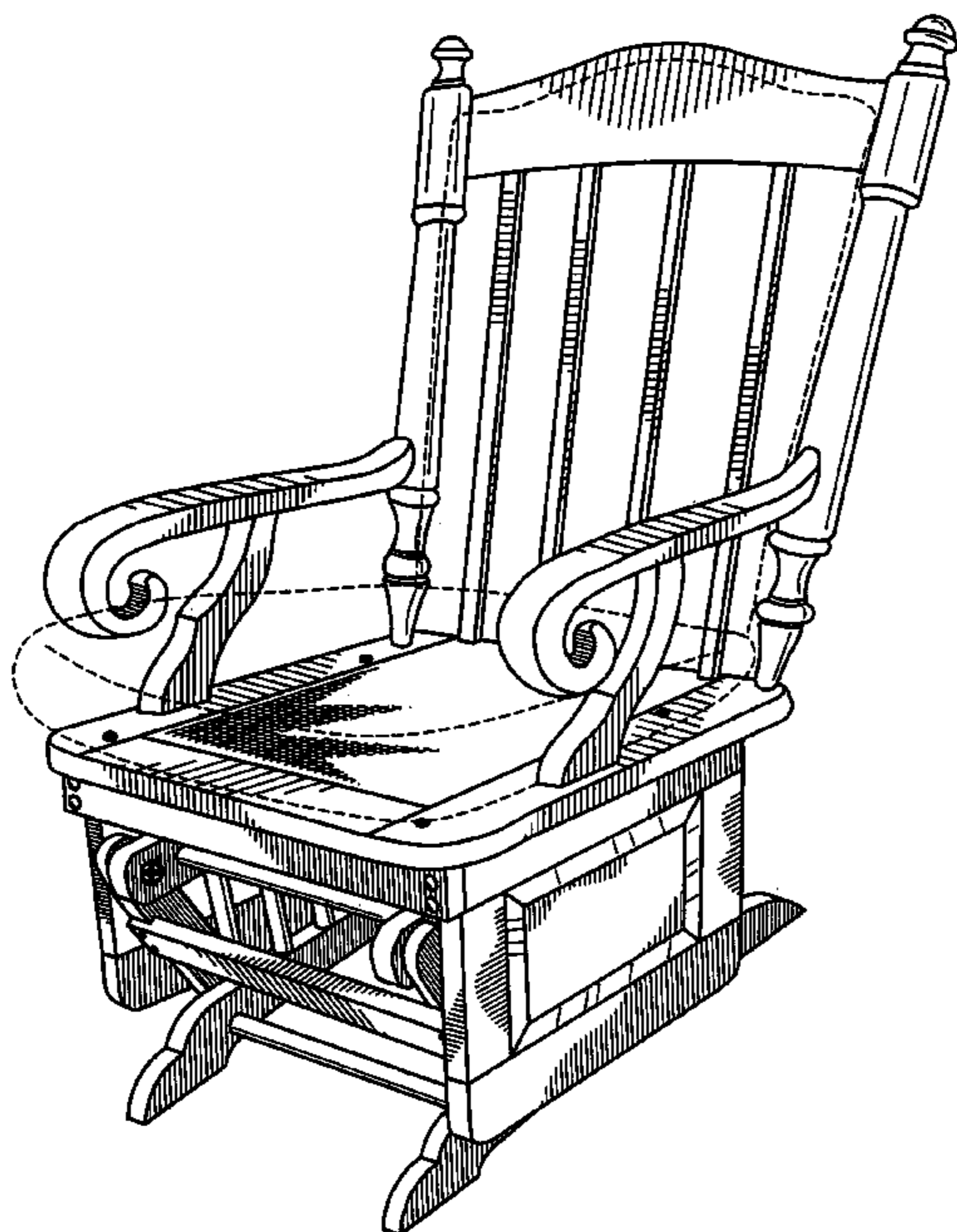
FIG. 8 is a front view thereof;

FIG. 9 is a back view thereof; and,

FIG. 10 is a top view thereof.

FIGS. 6, 7, 8, 9, and 10 illustrate with phantom lines, cushions which are shown for purposes of environment only.

1 Claim, 10 Drawing Sheets



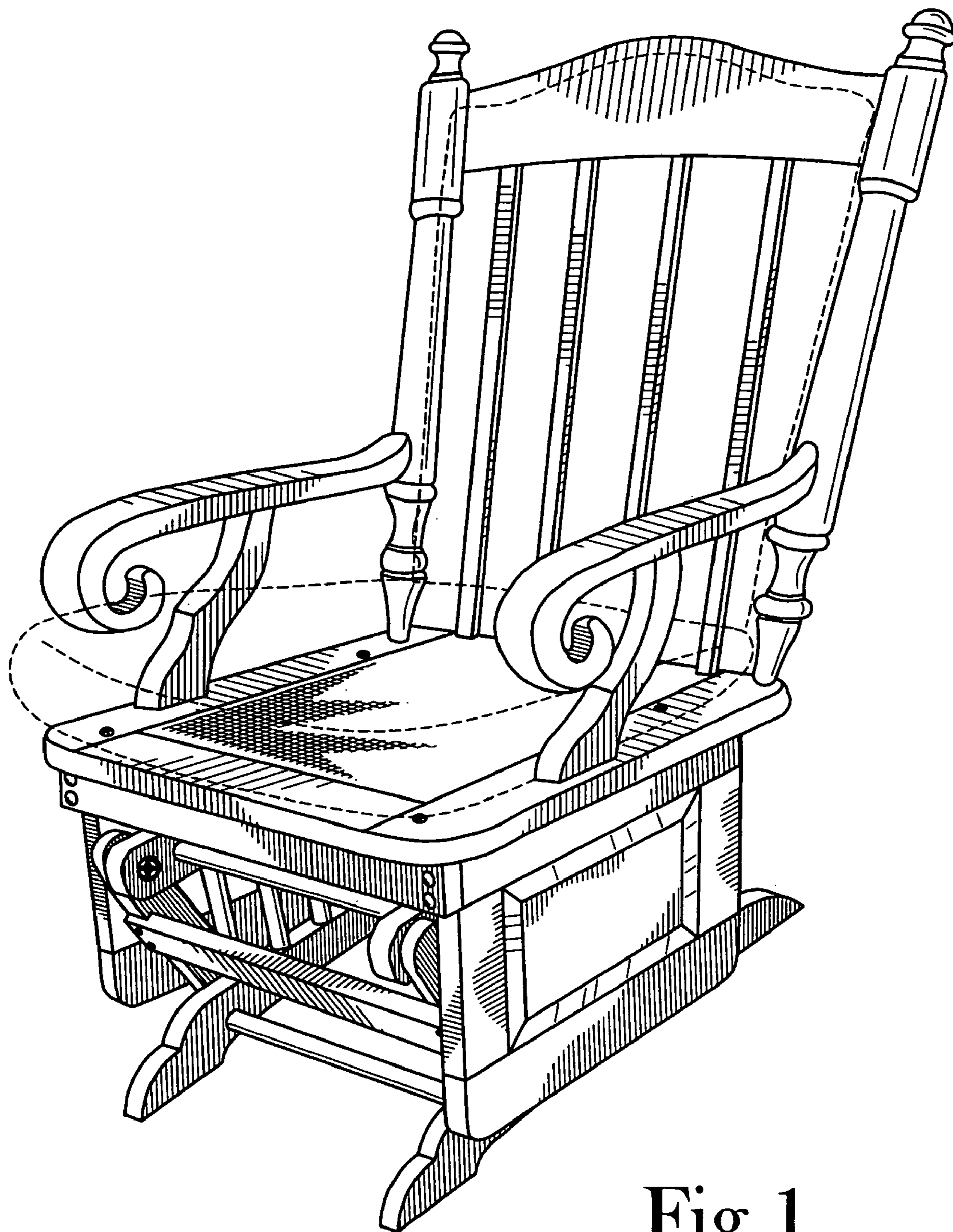


Fig. 1

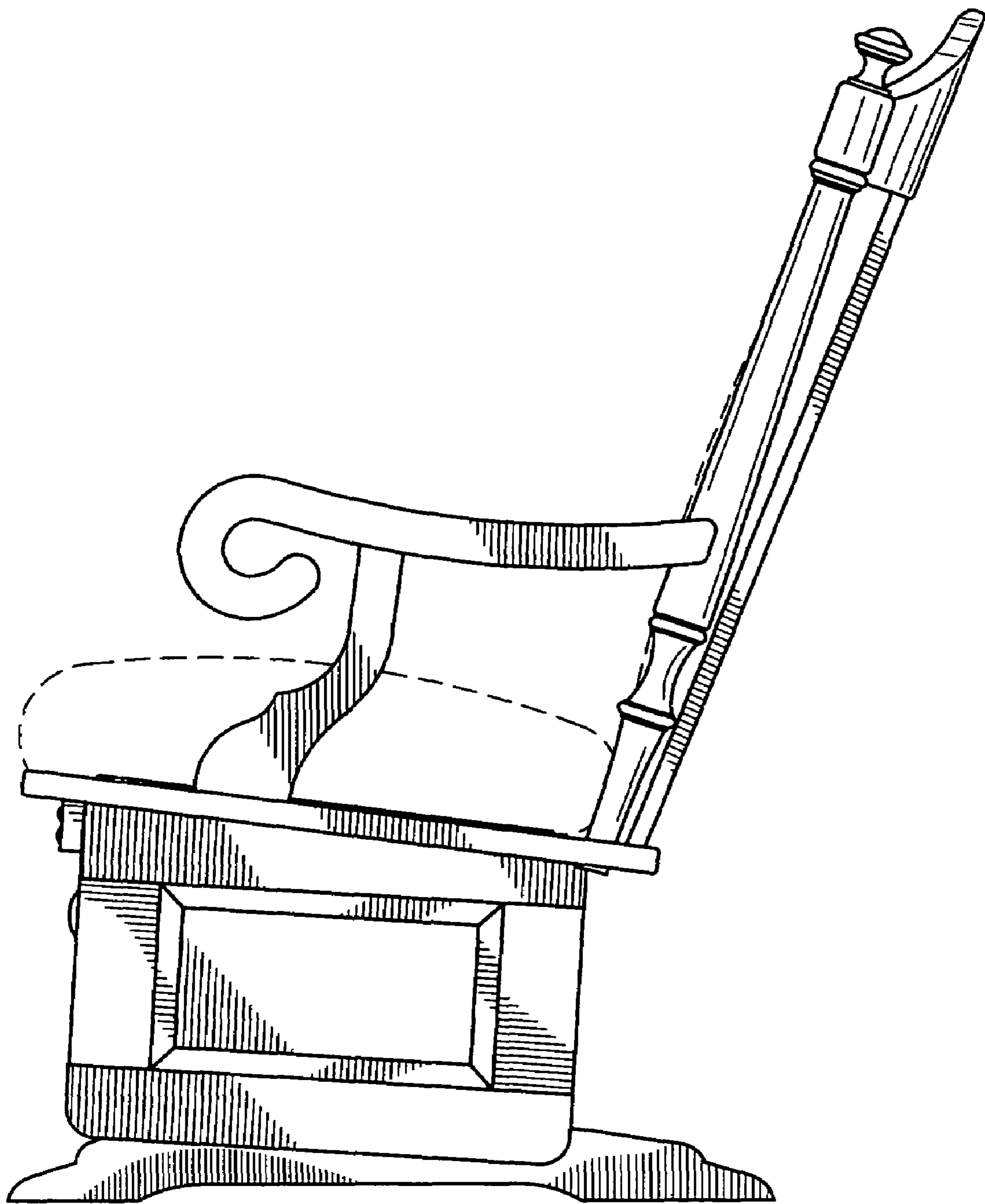


Fig. 2

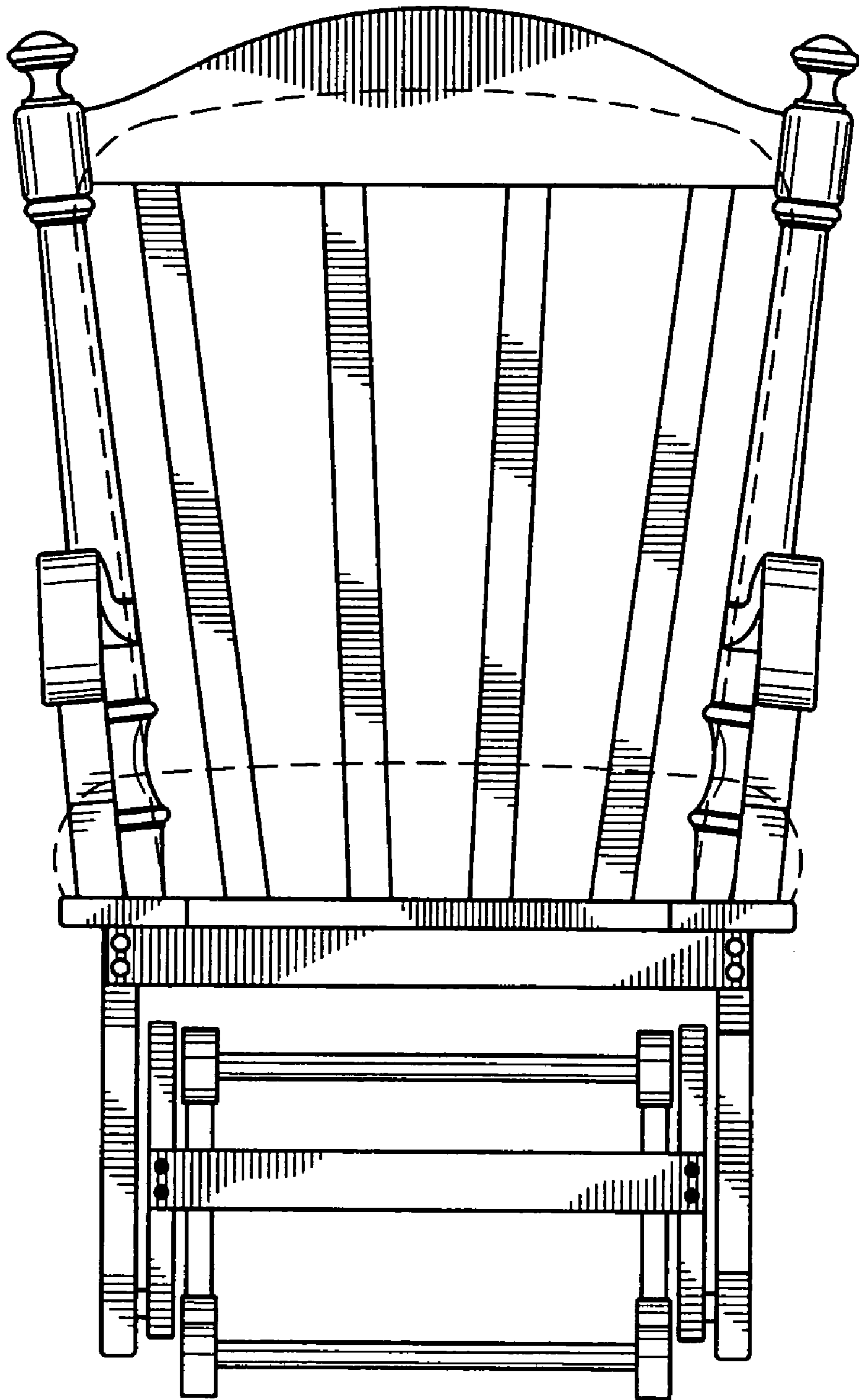


Fig. 3

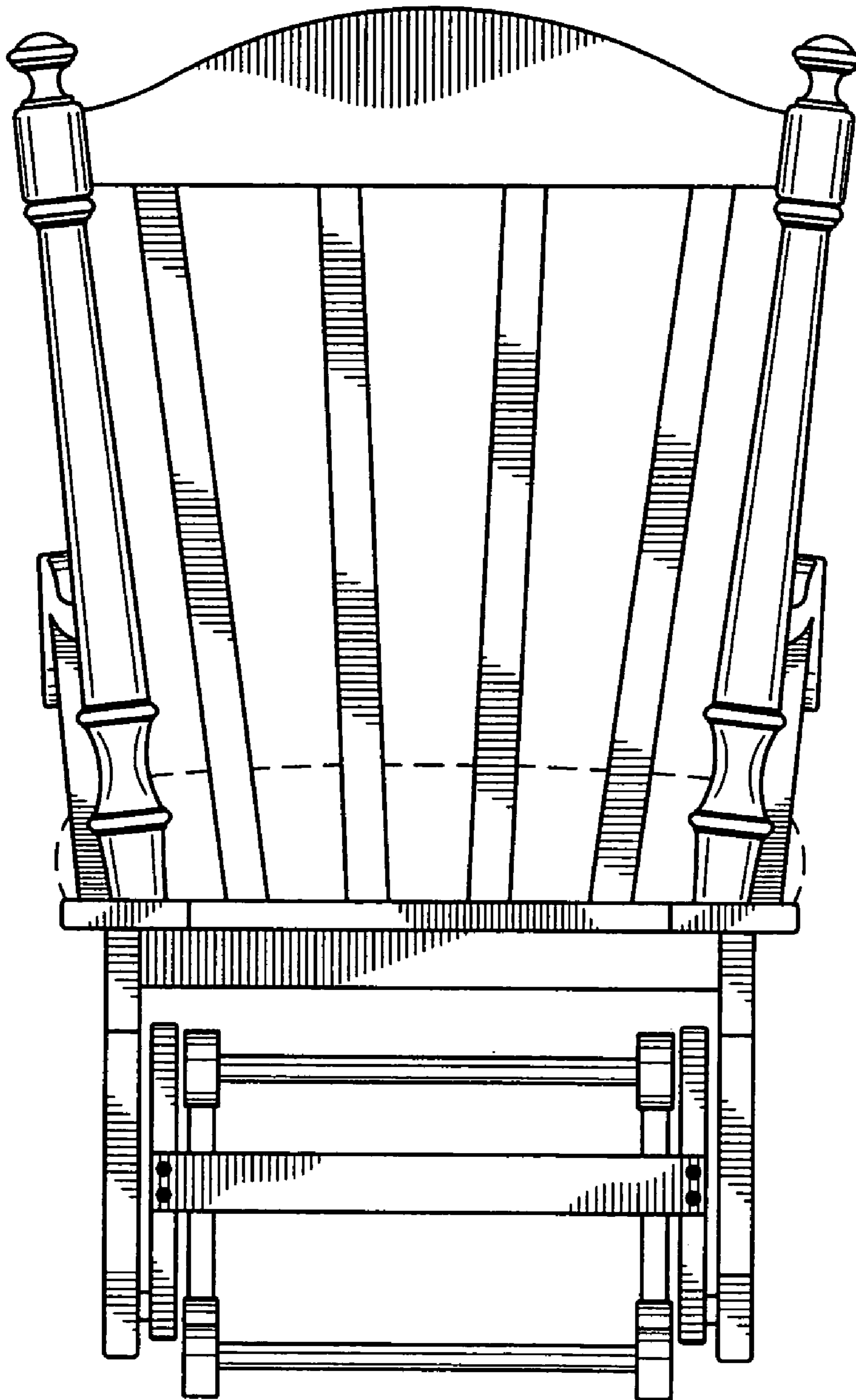


Fig. 4

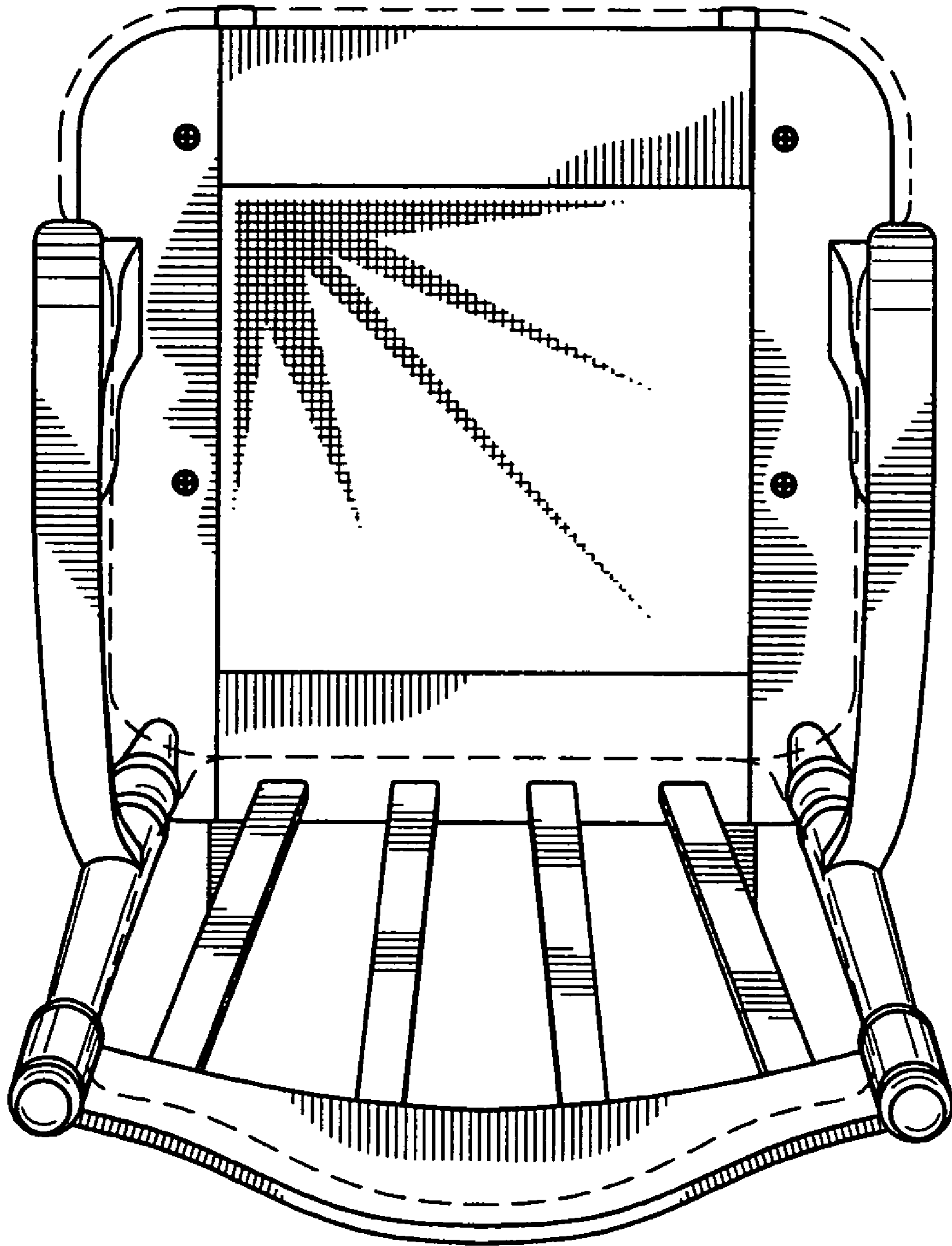


Fig. 5

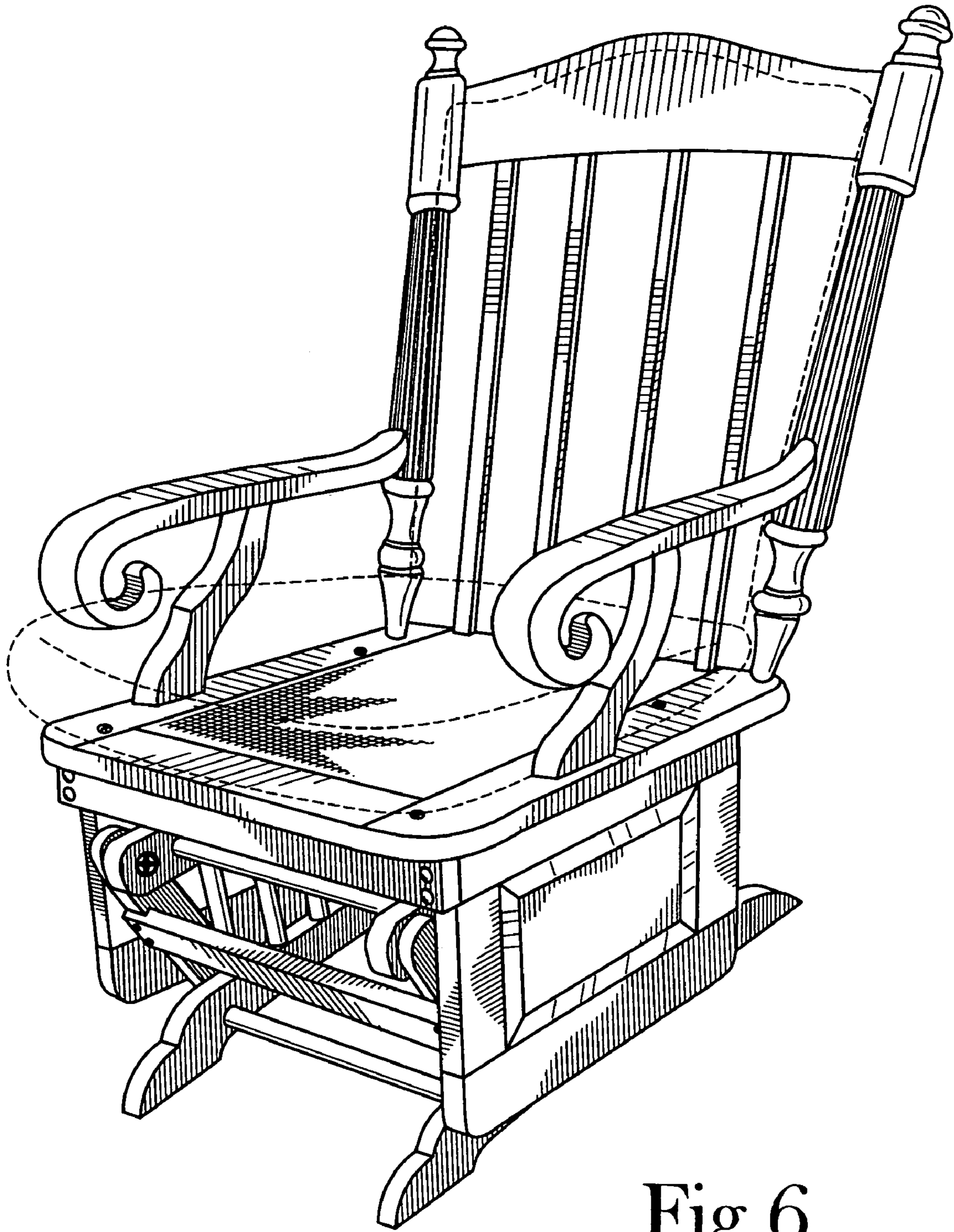


Fig.6

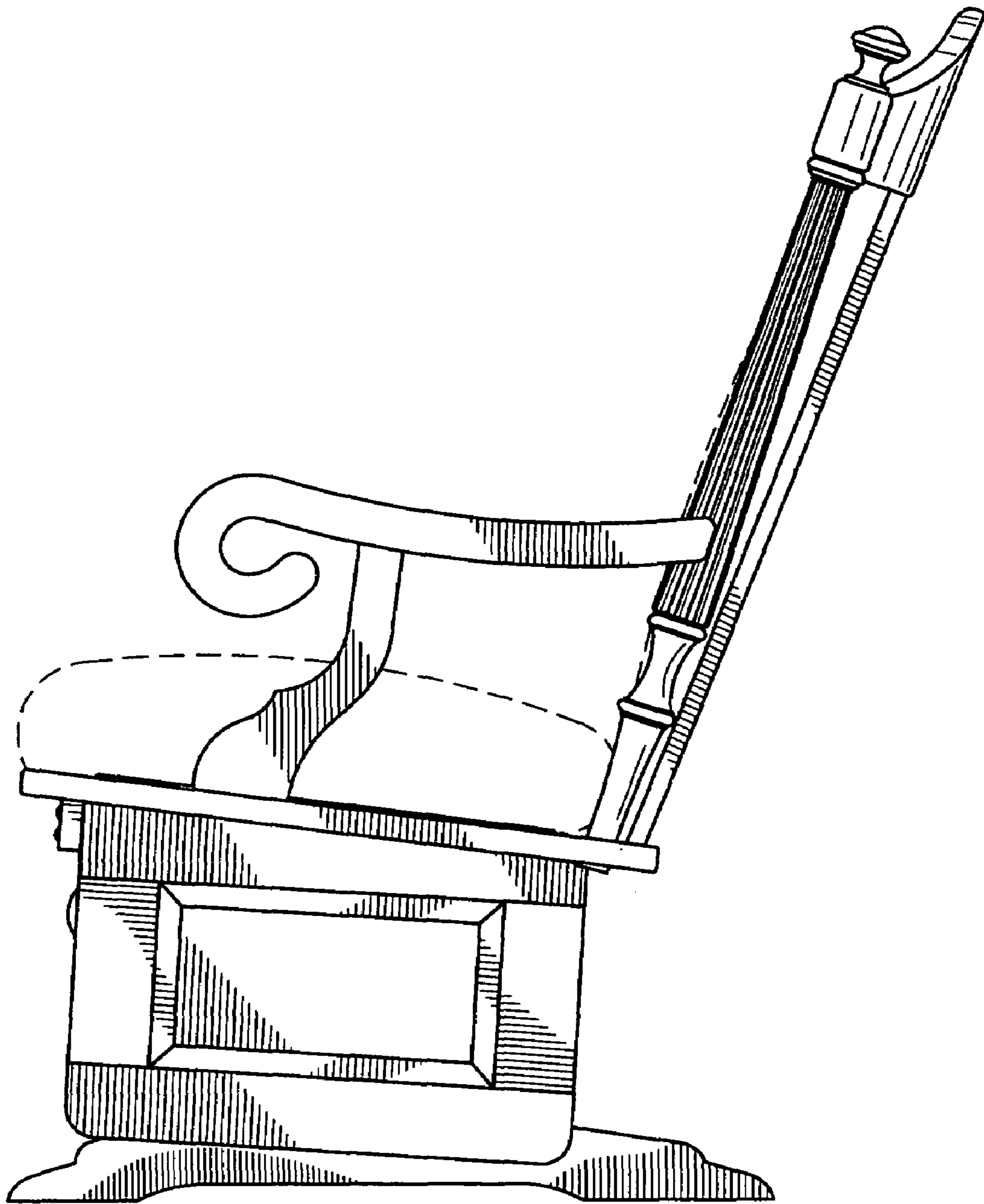


Fig. 7

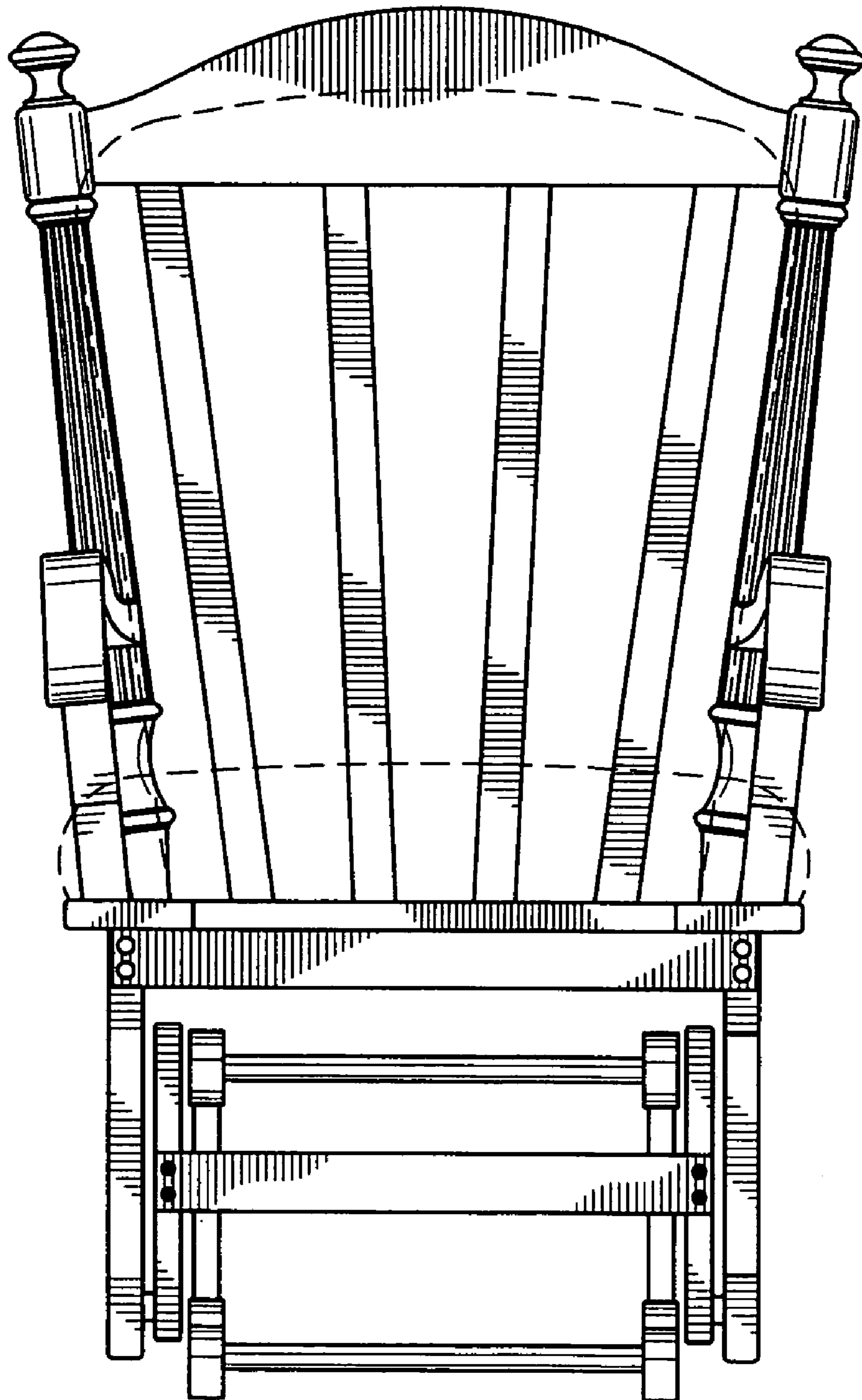


Fig.8

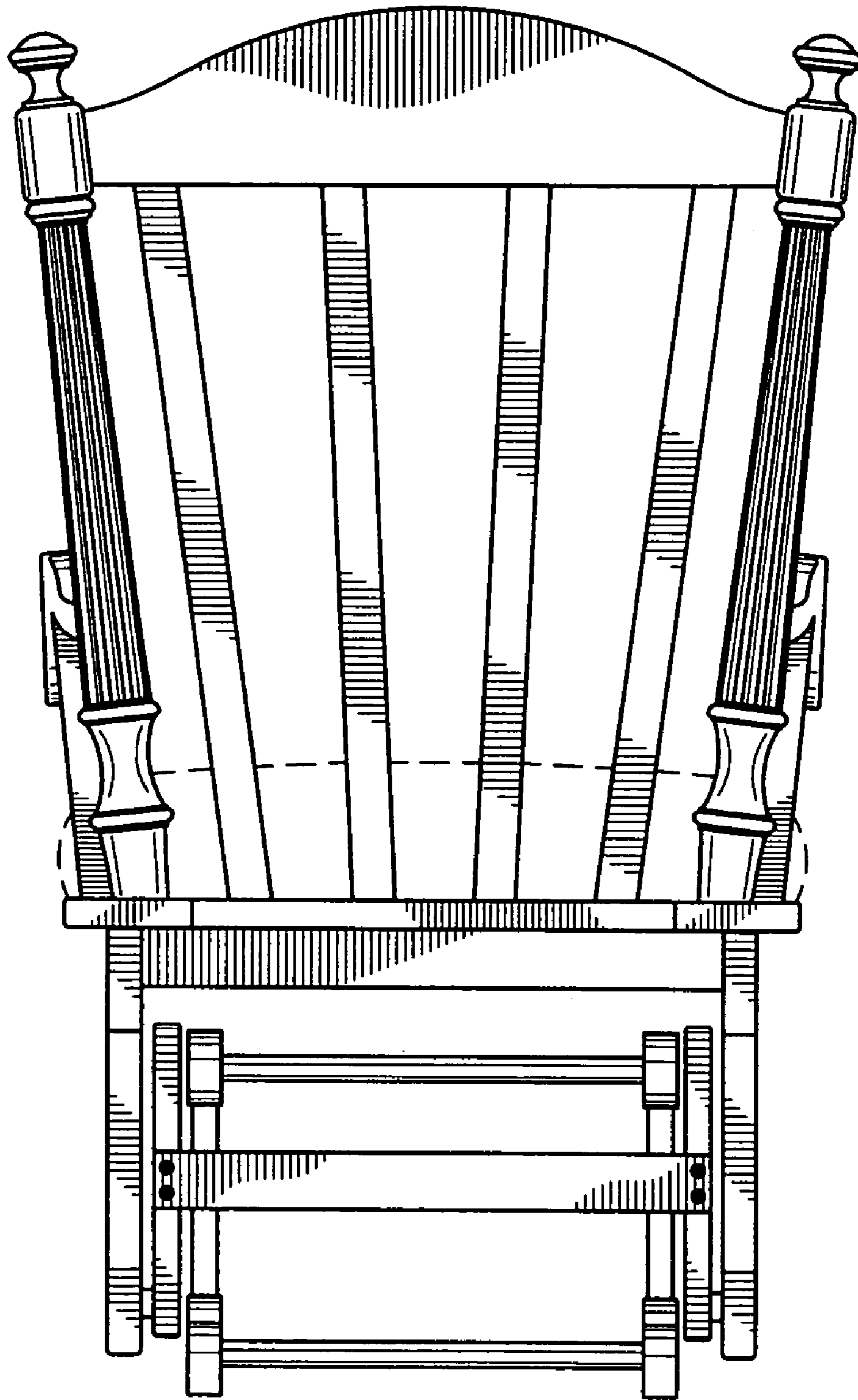


Fig. 9

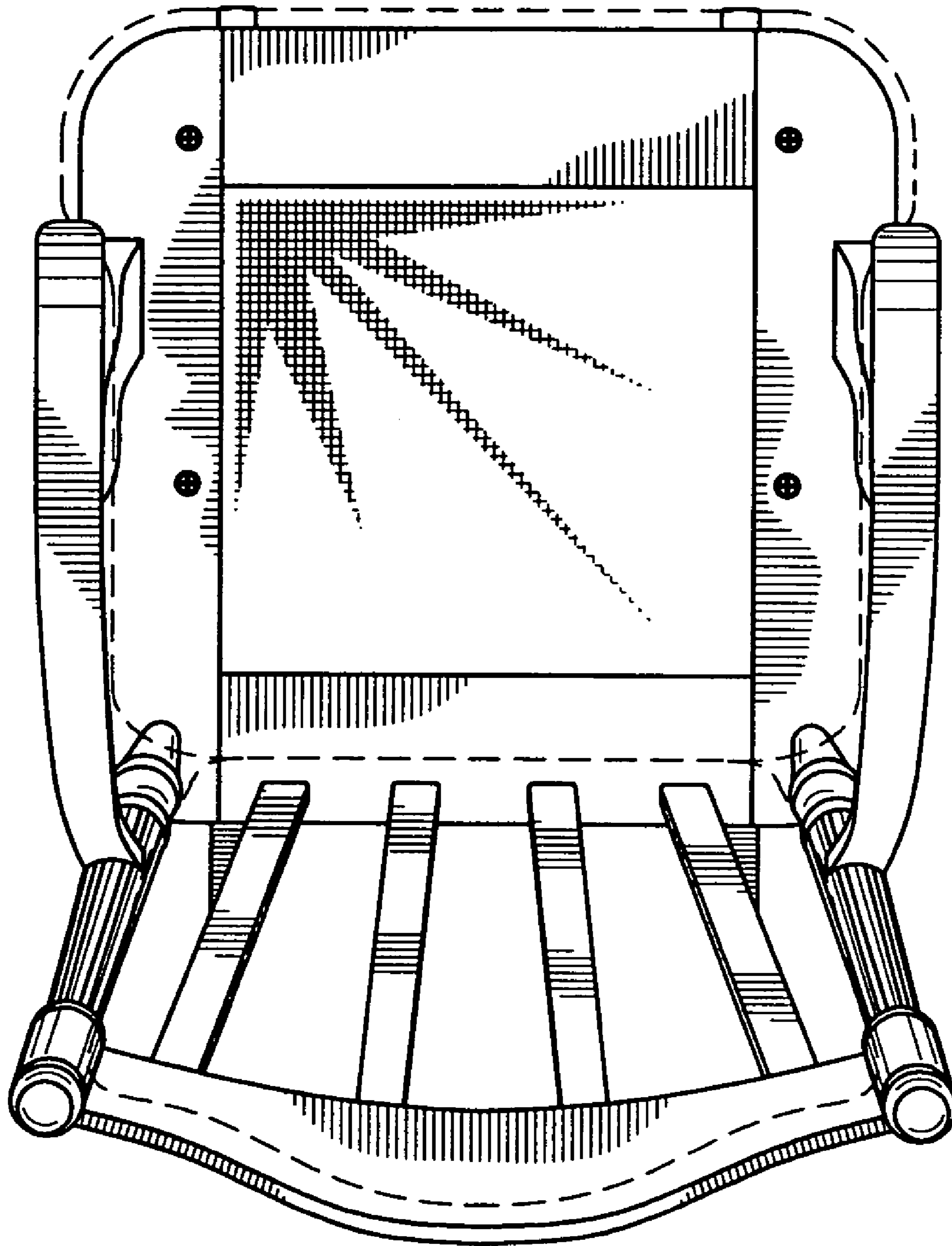


Fig. 10