

US00D544714S

(12) **United States Design Patent**
Zemel

(10) **Patent No.:** **US D544,714 S**

(45) **Date of Patent:** **** Jun. 19, 2007**

(54) **BASTING DEVICE**

(75) Inventor: **Marc Zemel**, Melville, NY (US)

(73) Assignee: **Mr. Bar-B-Q-, Inc.**, Old Bethpage, NY (US)

(**) Term: **14 Years**

(21) Appl. No.: **29/247,710**

(22) Filed: **Jul. 5, 2006**

Related U.S. Application Data

(63) Continuation-in-part of application No. 29/247,181, filed on Jun. 5, 2006.

(51) **LOC (8) Cl.** **04-04**

(52) **U.S. Cl.** **D4/114; D4/135; D4/136**

(58) **Field of Classification Search** D4/114, D4/116, 132, 135; D9/723, 436; 15/168, 15/191.1, 192-196, 205.2; 401/126, 127, 401/129, 183-185, 268, 270, 274, 275, 276, 401/278, 280, 281, 286-289

See application file for complete search history.

(56) **References Cited**

U.S. PATENT DOCUMENTS

3,029,464 A * 4/1962 Springmeier 401/183

D400,358 S 11/1998 Zemel
6,575,651 B1 * 6/2003 Bertothy 401/281
D487,637 S * 3/2004 Price D4/114
D511,896 S * 11/2005 Wu D4/114

* cited by examiner

Primary Examiner—Alan P. Douglas

Assistant Examiner—Lavone D. Tabor

(74) *Attorney, Agent, or Firm*—Seth Natter; Natter & Natter

(57) **CLAIM**

The ornamental design for a basting device, as shown and described.

DESCRIPTION

FIG. 1 is a front elevational view of a basting device showing my new design;

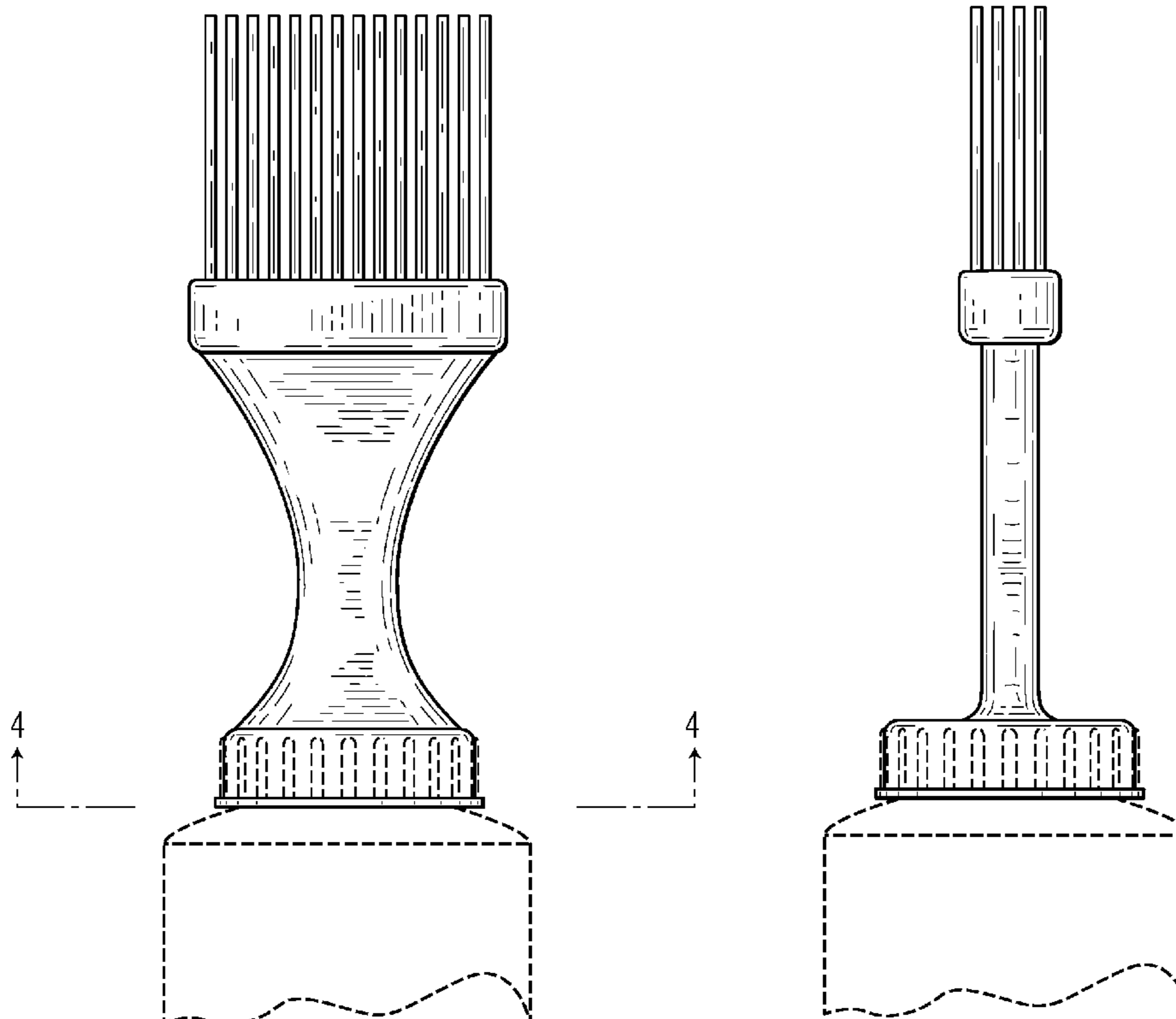
FIG. 2 is a side view thereof;

FIG. 3 is a top plan view thereof; and,

FIG. 4 is a bottom plan view taken along the plane 4-4 of FIG. 1.

The rear elevational view is a mirror image of the front elevational view; the side not shown is a mirror image of the side shown and the broken line showings form no part of the claimed design.

1 Claim, 2 Drawing Sheets



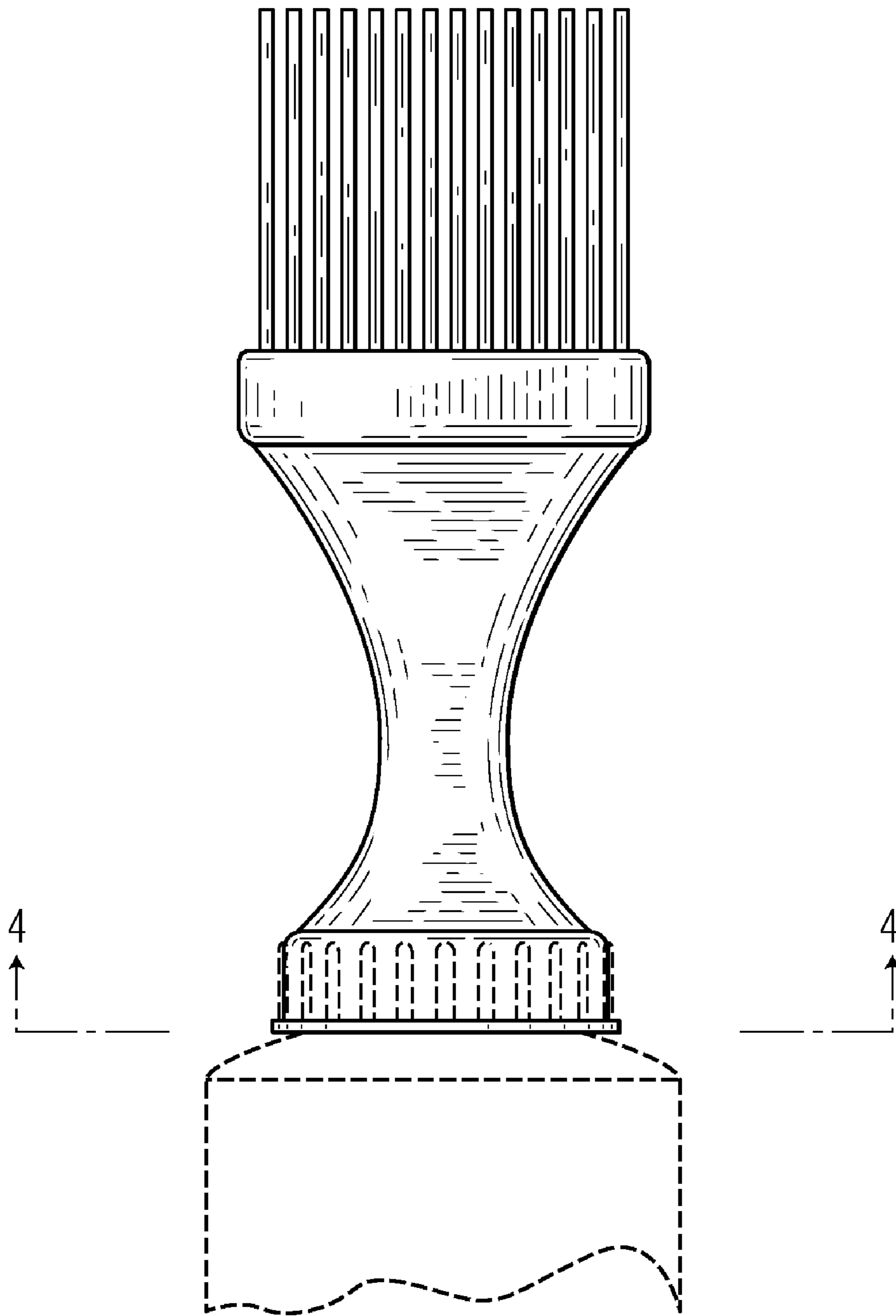


FIG. 1

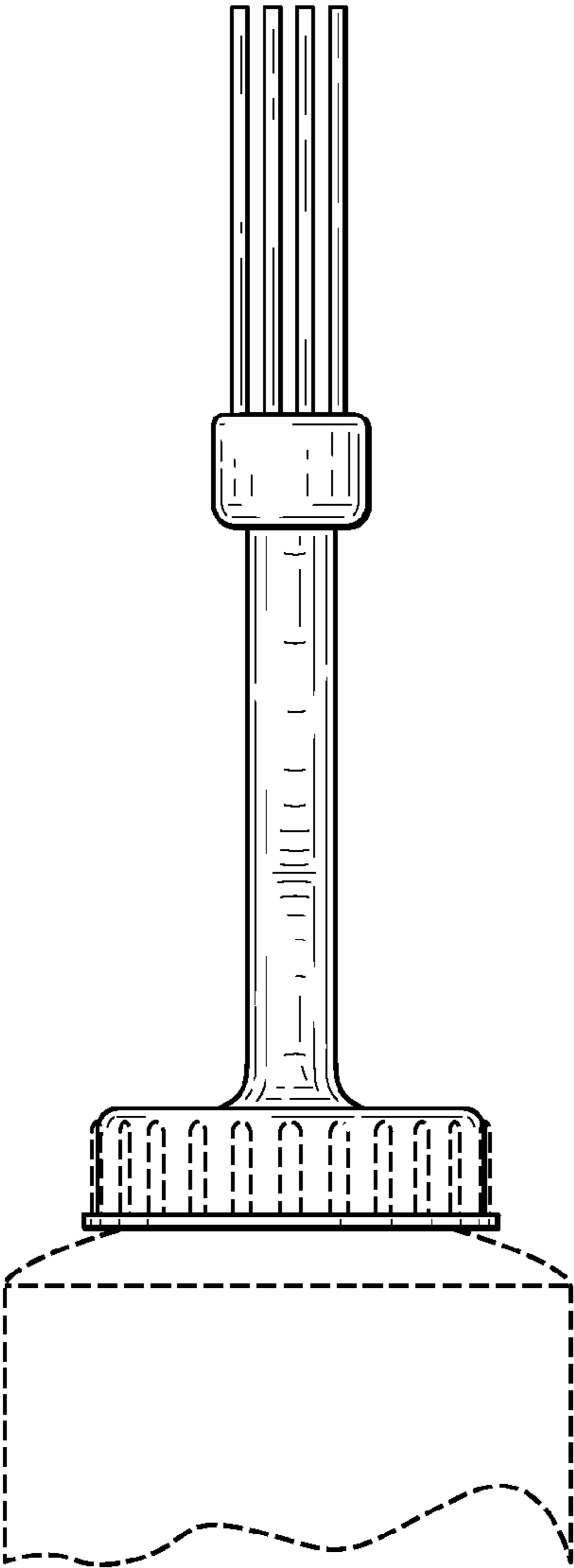


FIG. 2

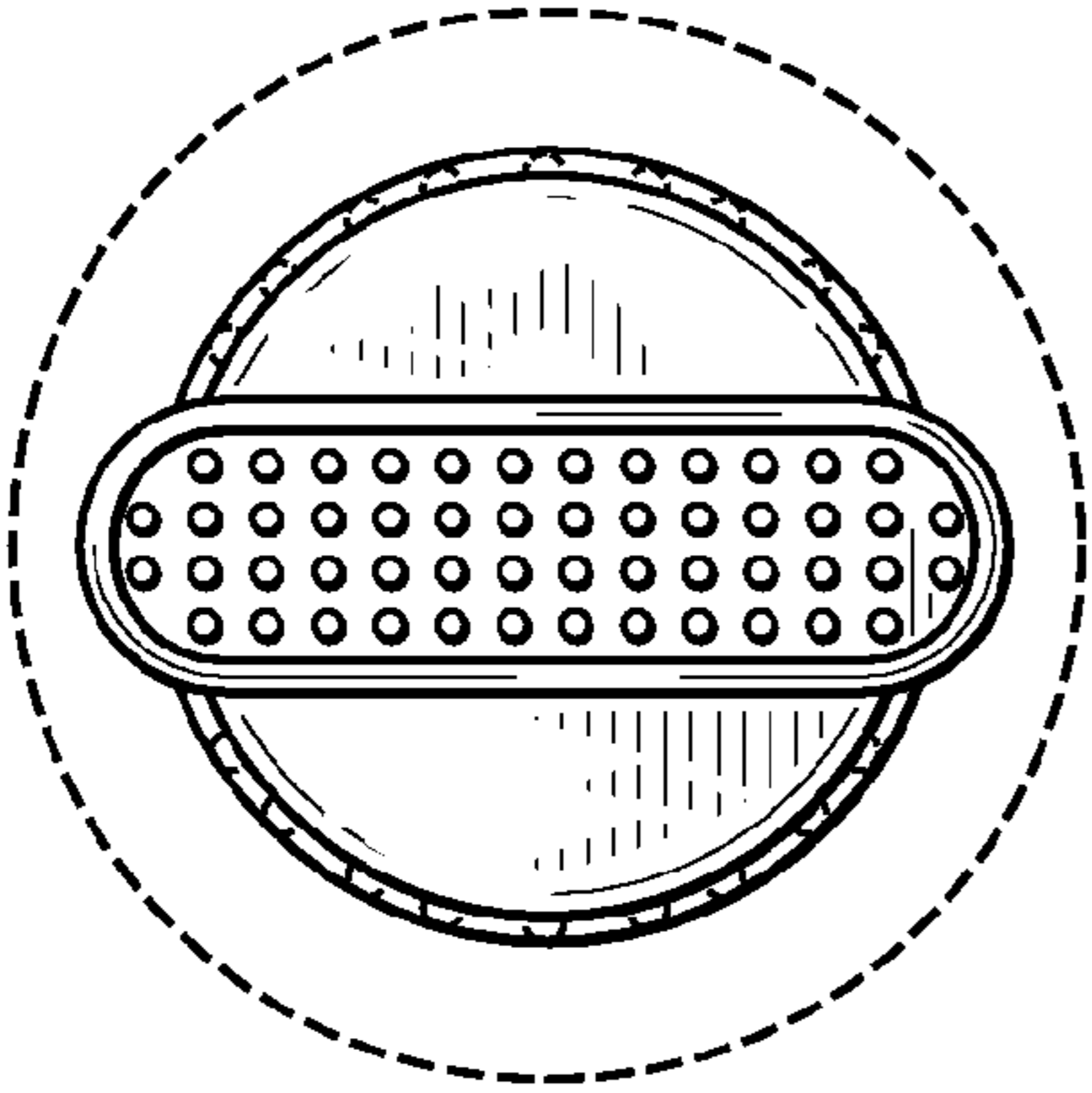


FIG. 3

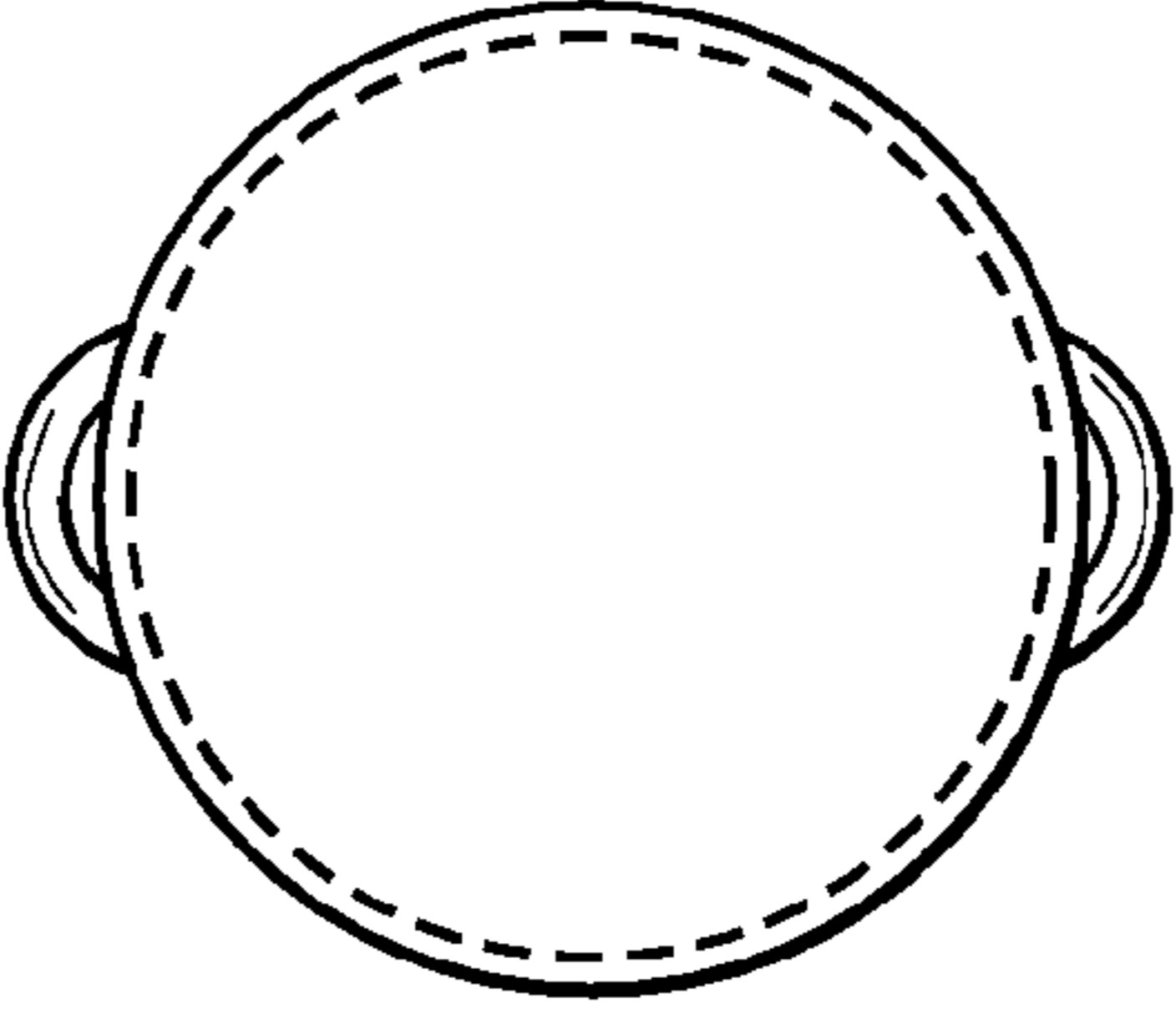


FIG. 4