



US00D544708S

(12) **United States Design Patent**  
**Barker**

(10) **Patent No.:** **US D544,708 S**

(45) **Date of Patent:** **\*\* Jun. 19, 2007**

(54) **BAG**

(76) **Inventor:** **Robert Marshall Barker**, 1770  
Remington Rd., Atlanta, GA (US)  
30341

(\*\*) **Term:** **14 Years**

(21) **Appl. No.:** **29/260,270**

(22) **Filed:** **May 23, 2006**

(51) **LOC (8) Cl.** ..... **03-01**

(52) **U.S. Cl.** ..... **D3/216**

(58) **Field of Classification Search** ..... D3/216,  
D3/217, 221, 224, 231, 254, 273, 276, 283,  
D3/289, 293, 299, 301, 321, 327; 224/153,  
224/257, 259

See application file for complete search history.

(56) **References Cited**

**U.S. PATENT DOCUMENTS**

D247,524	S	*	3/1978	Graham	.....	D3/231
4,442,960	A	*	4/1984	Vetter	.....	224/417
4,580,706	A	*	4/1986	Jackson et al.	.....	224/427
D312,726	S	*	12/1990	Kline	.....	D3/224
D340,351	S	*	10/1993	Wrath	.....	D3/217
D344,184	S	*	2/1994	Barker	.....	D3/231
D374,979	S	*	10/1996	Roberson et al.	.....	D3/217
5,586,703	A	*	12/1996	Radar et al.	.....	224/601
5,810,230	A	*	9/1998	Nutto	.....	224/417
D402,460	S	*	12/1998	Moor	.....	D3/217
D404,910	S	*	2/1999	Schober	.....	D3/216
5,890,639	A	*	4/1999	Hancock et al.	.....	224/429
D446,008	S	*	8/2001	Schulze	.....	D3/216
D456,601	S	*	5/2002	Kegels	.....	D3/217

D457,306	S	*	5/2002	Szyf	.....	D3/217
6,402,003	B1	*	6/2002	Jackson	.....	224/646
2005/0194413	A1	*	9/2005	Baker	.....	224/153

**FOREIGN PATENT DOCUMENTS**

EM 0000533740-0002 \* 4/2006

\* cited by examiner

*Primary Examiner*—Carol Rademaker

*Assistant Examiner*—Anna Burmeister

(74) *Attorney, Agent, or Firm*—Needle & Rosenberg, P.C.

(57) **CLAIM**

The ornamental design for a bag, as shown and described.

**DESCRIPTION**

FIG. 1 is a perspective view of the design for the present invention for a bag.

FIG. 2 is a front elevational view of the bag of FIG. 1;

FIG. 3 is a rear elevational view of the bag of FIG. 1;

FIG. 4 is a left side elevational view of the bag of FIG. 1;

FIG. 5 is a right side elevational view of the bag of FIG. 1;

FIG. 6 is a top plan view of the bag of FIG. 1; and,

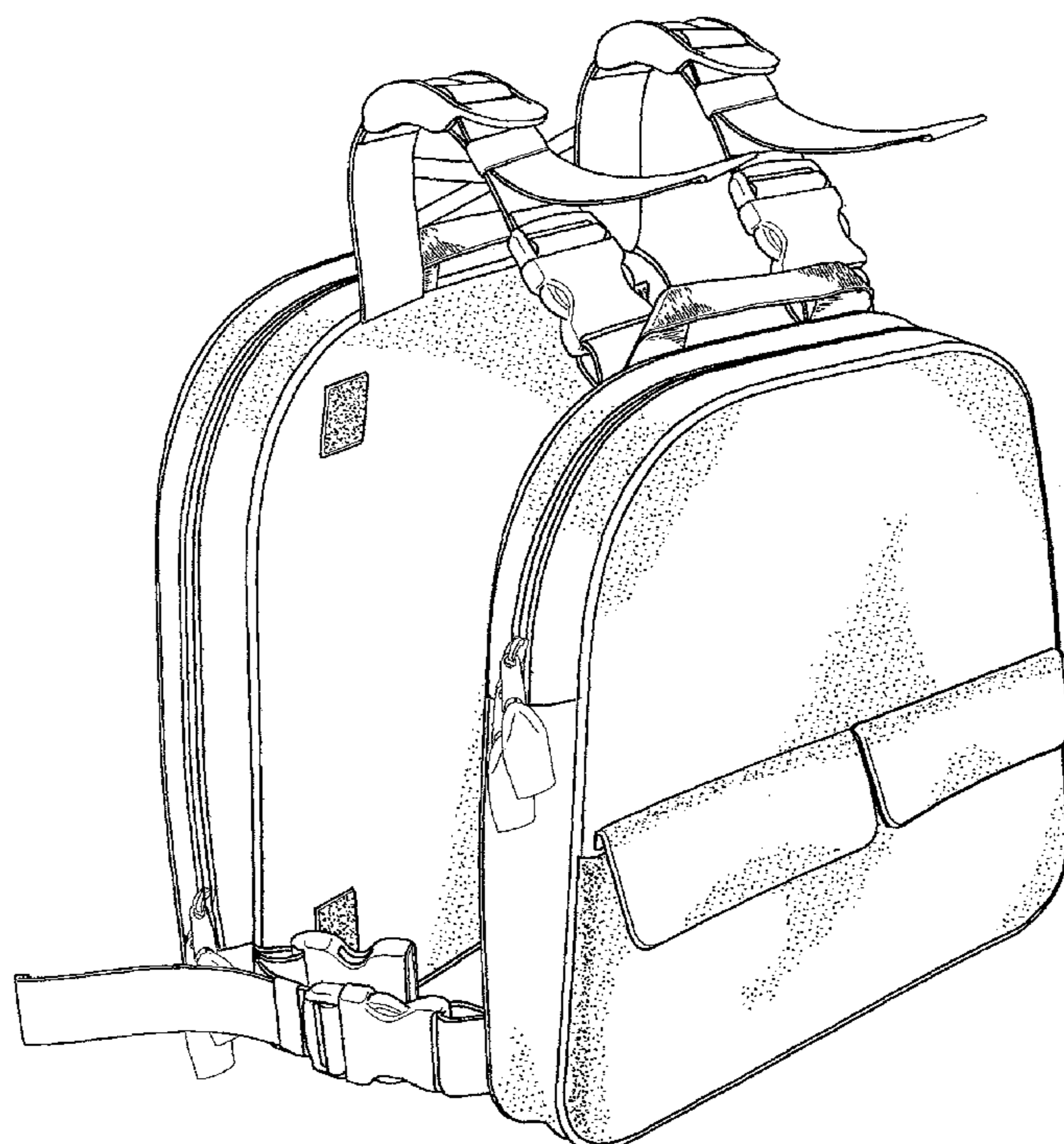
FIG. 7 is a bottom plan view of the bag of FIG. 1.

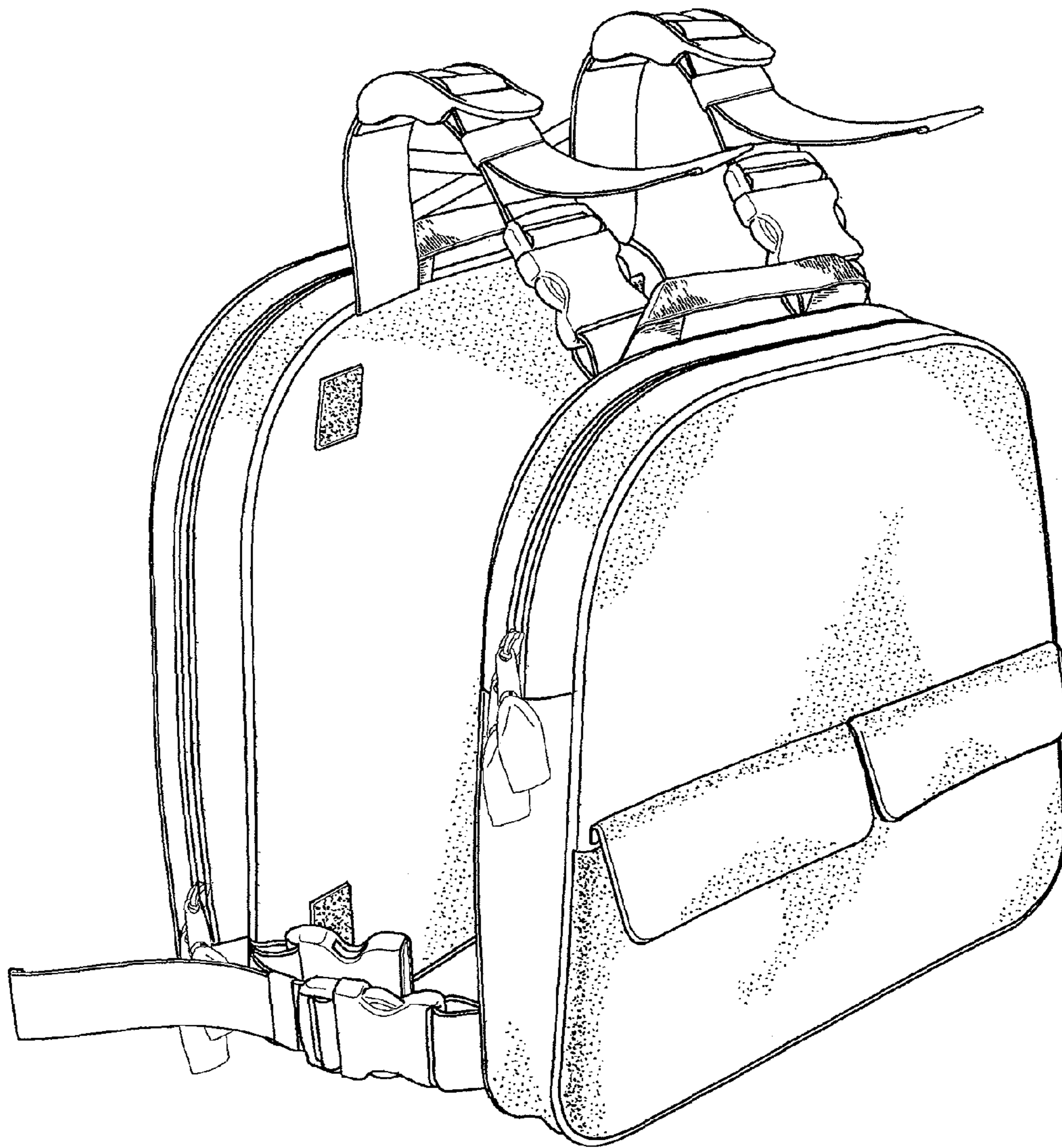
The stippled shading shown in the drawings represents a textured surface.

The rectangular shapes with stippled shading in FIG. 1 represent textured fastening devices.

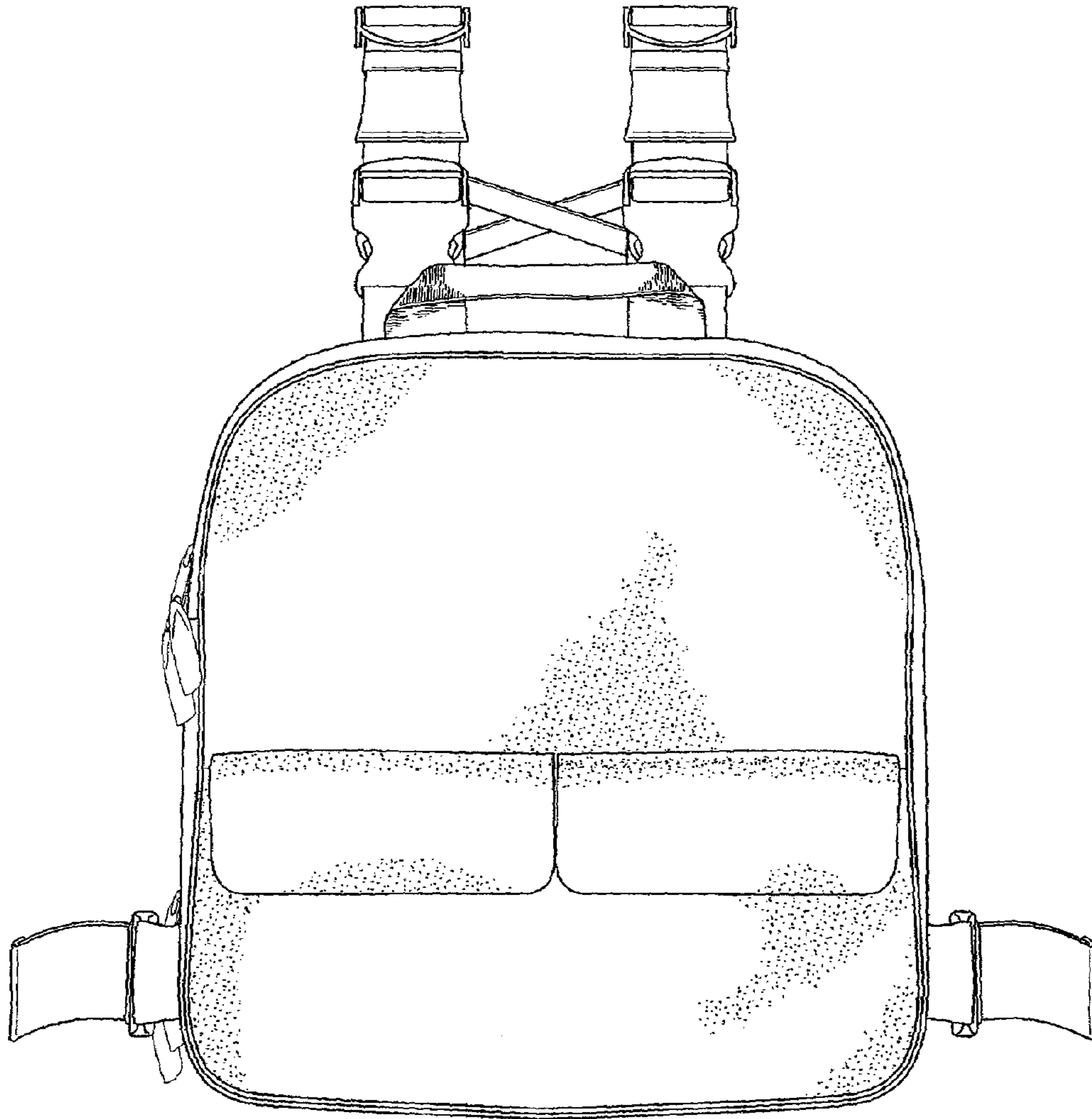
The straight-line shading shown on the handle represents a contrasting textured surface.

**1 Claim, 7 Drawing Sheets**

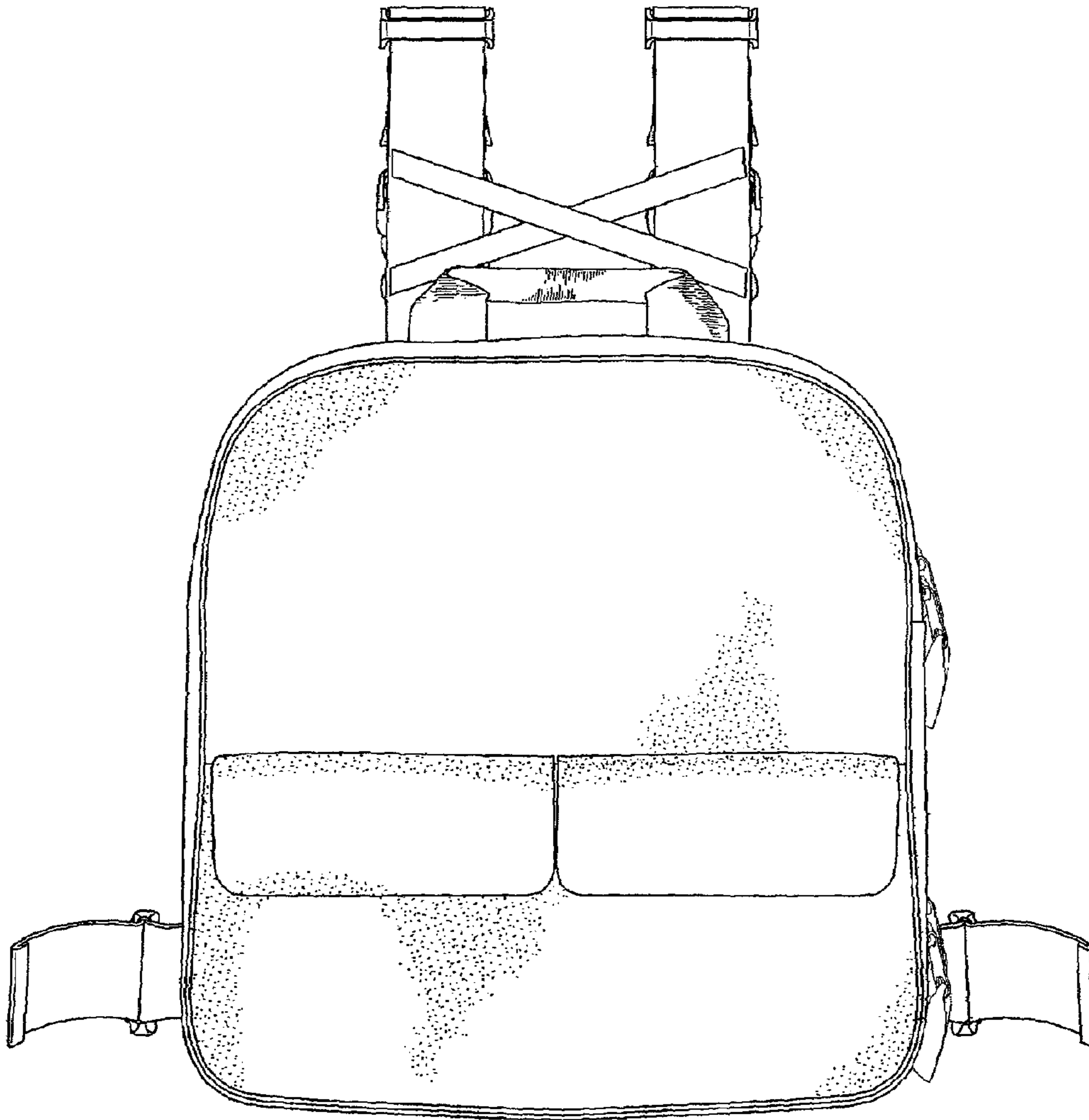




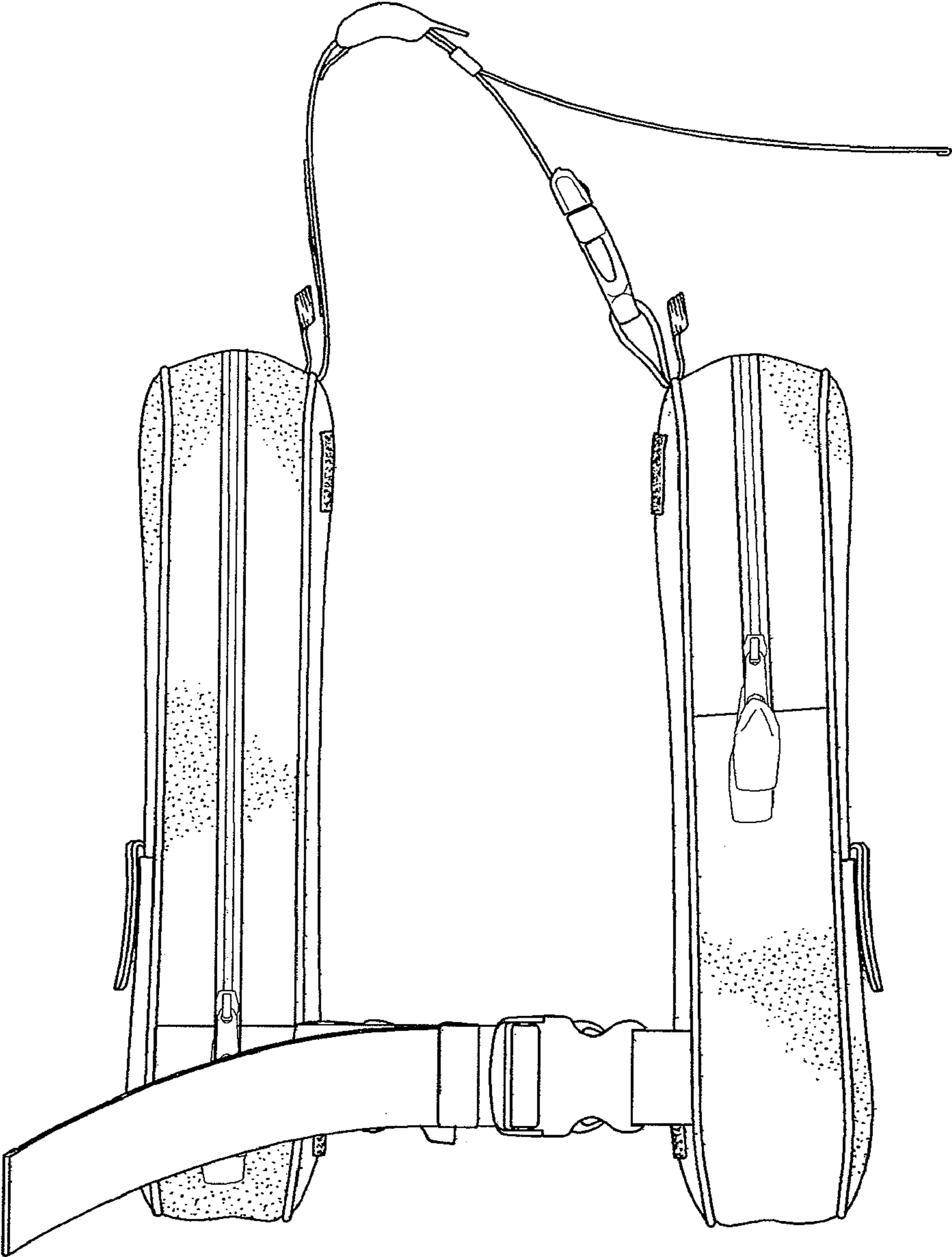
*Fig. 1*



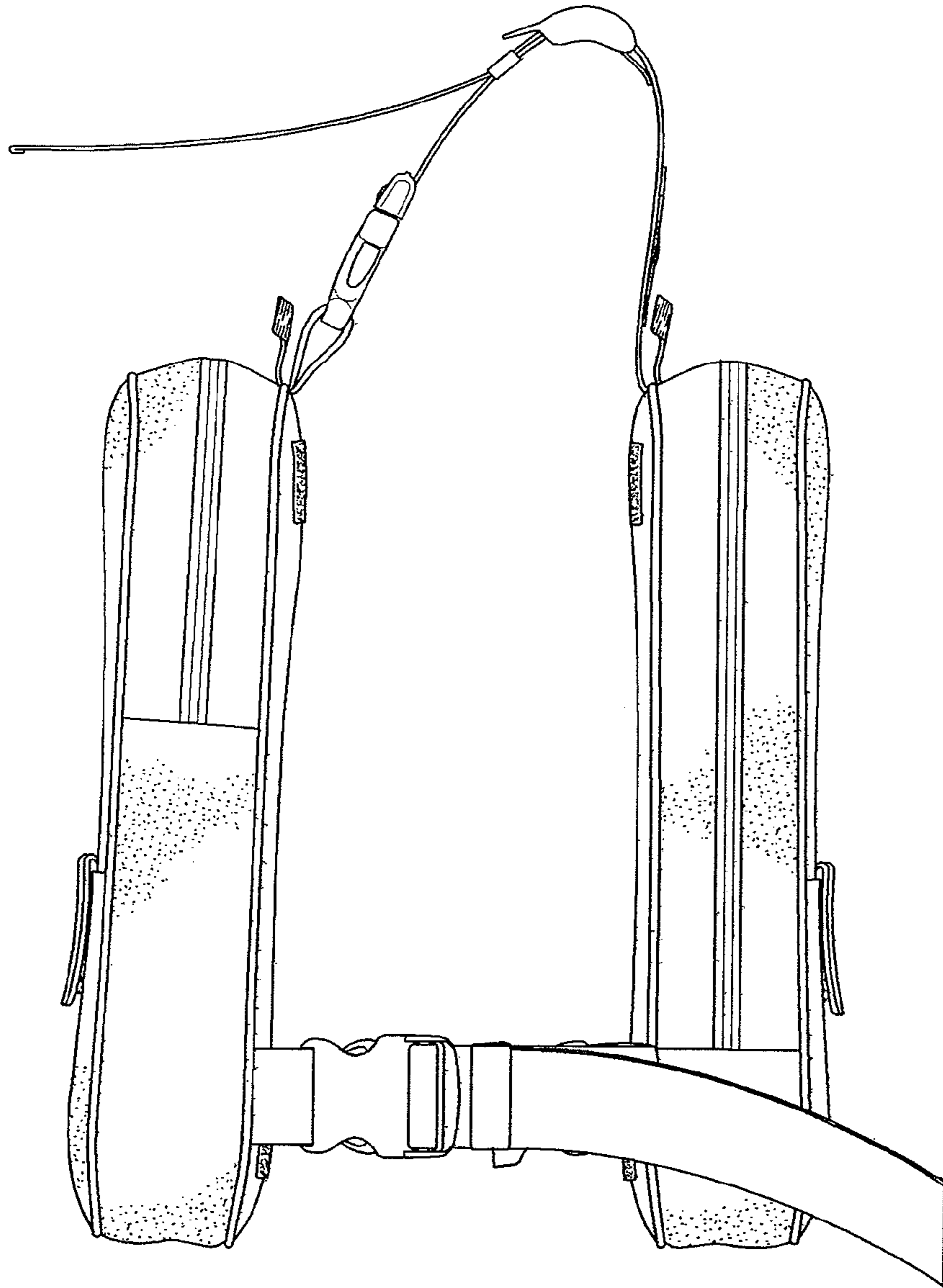
*Fig. 2*



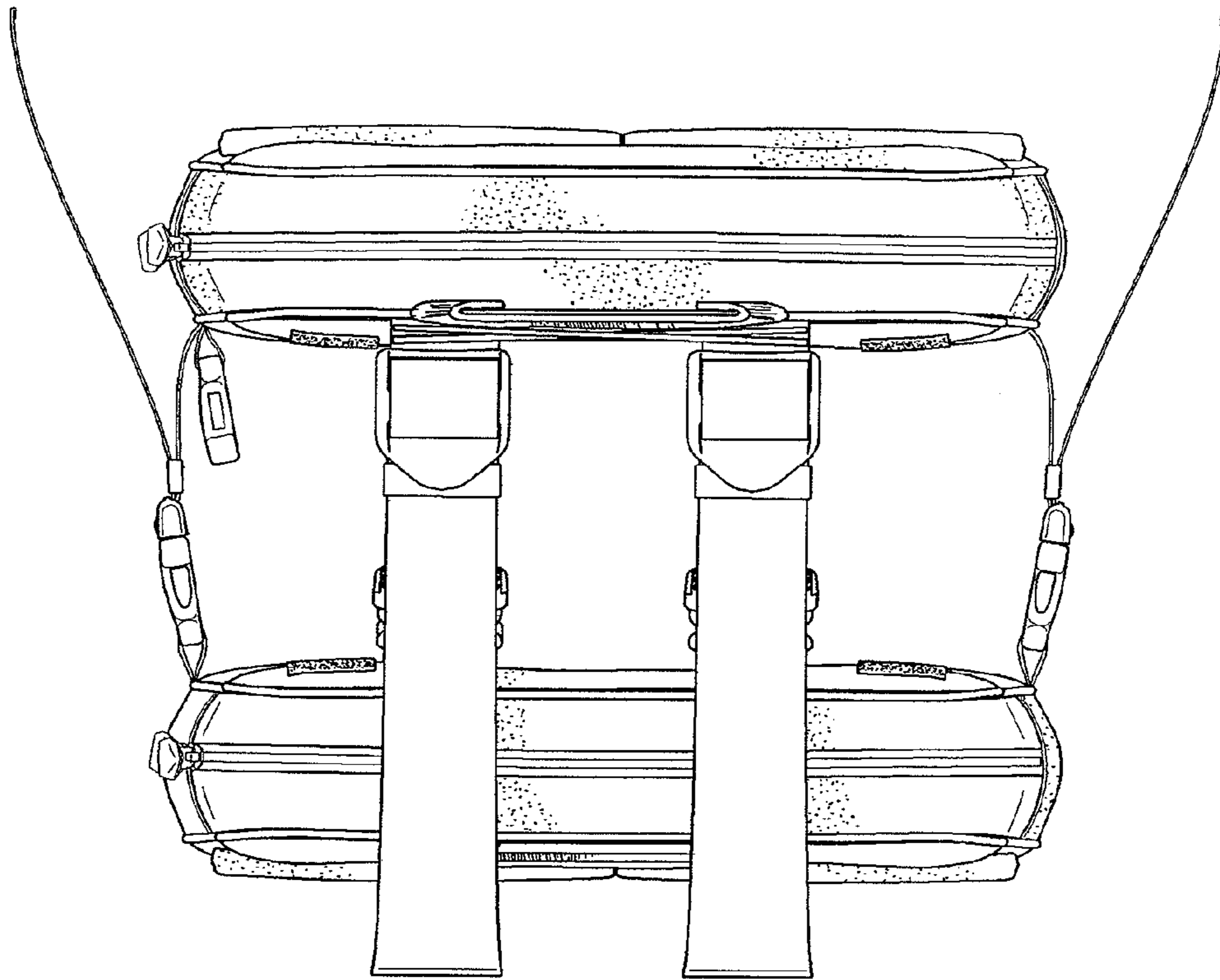
*Fig. 3*



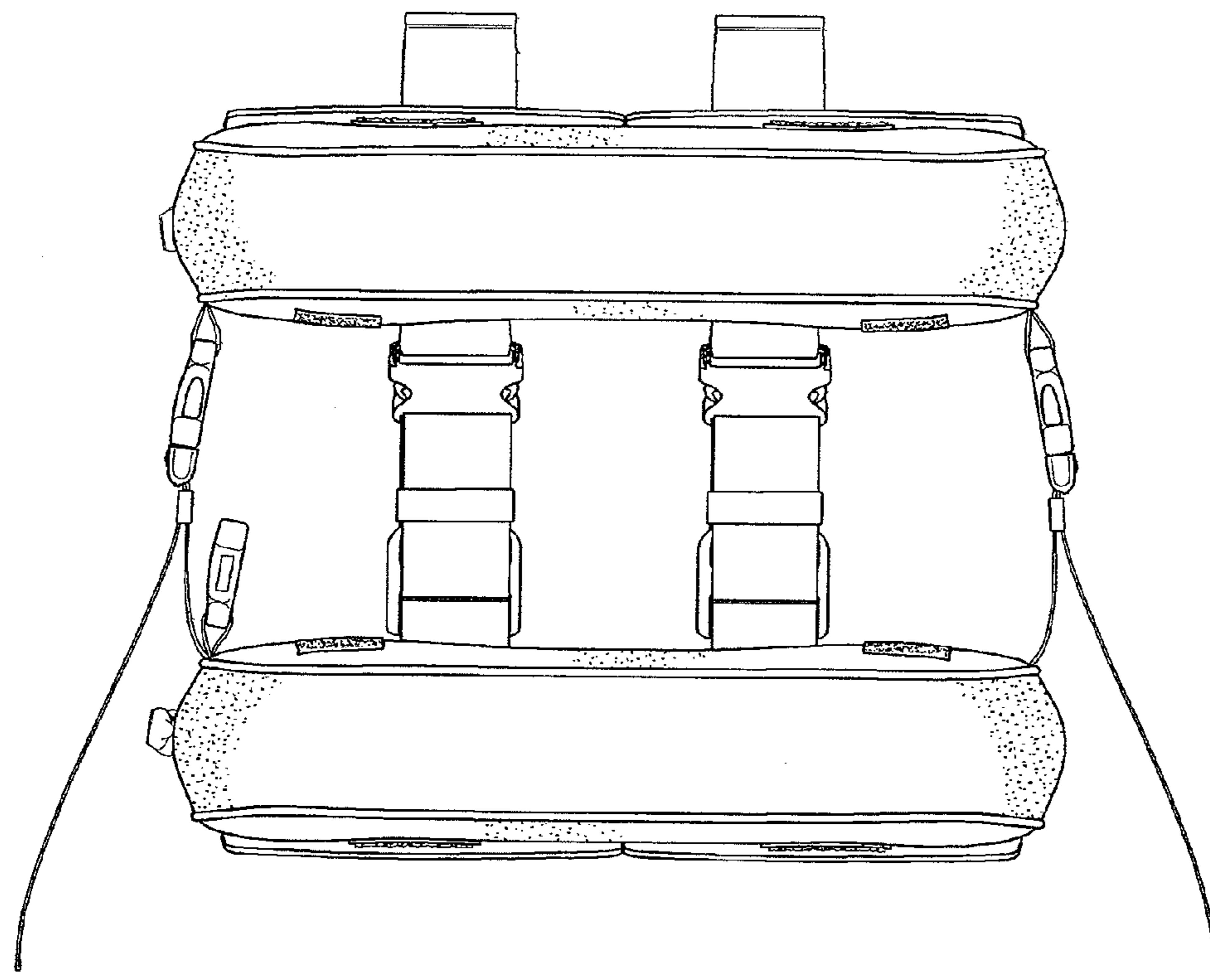
*Fig. 4*



*Fig. 5*



*Fig. 6*



*Fig. 1*