



US00D544704S

(12) **United States Design Patent**  
**Kenny**

(10) **Patent No.:** **US D544,704 S**  
(45) **Date of Patent:** **\*\* Jun. 19, 2007**

(54) **TRAVEL CONTAINER FOR POWDERED SUBSTANCES**

D476,886 S \* 7/2003 Christianson ..... D3/203.2  
D484,684 S \* 1/2004 Eldon et al. .... D3/205

(75) Inventor: **Gregory J. Kenny**, Wakefield, MA (US)

\* cited by examiner

*Primary Examiner*—Catherine R. Oliver

(73) Assignee: **The First Years Inc.**, Avon, MA (US)

(74) *Attorney, Agent, or Firm*—Michael Best & Friedrich LLP

(\*\*) Term: **14 Years**

(57) **CLAIM**

(21) Appl. No.: **29/251,433**

The ornamental design for a travel container for powdered substances, as shown and described.

(22) Filed: **Jan. 5, 2006**

**DESCRIPTION**

(51) **LOC (8) Cl.** ..... **03-01**

(52) **U.S. Cl.** ..... **D3/203.1**

(58) **Field of Classification Search** ..... D3/203.1,  
D3/203.2, 203.3, 203.4, 203.5, 201, 202,  
D3/205, 294; D9/422, 416, 418; 206/528–540;  
D28/78

See application file for complete search history.

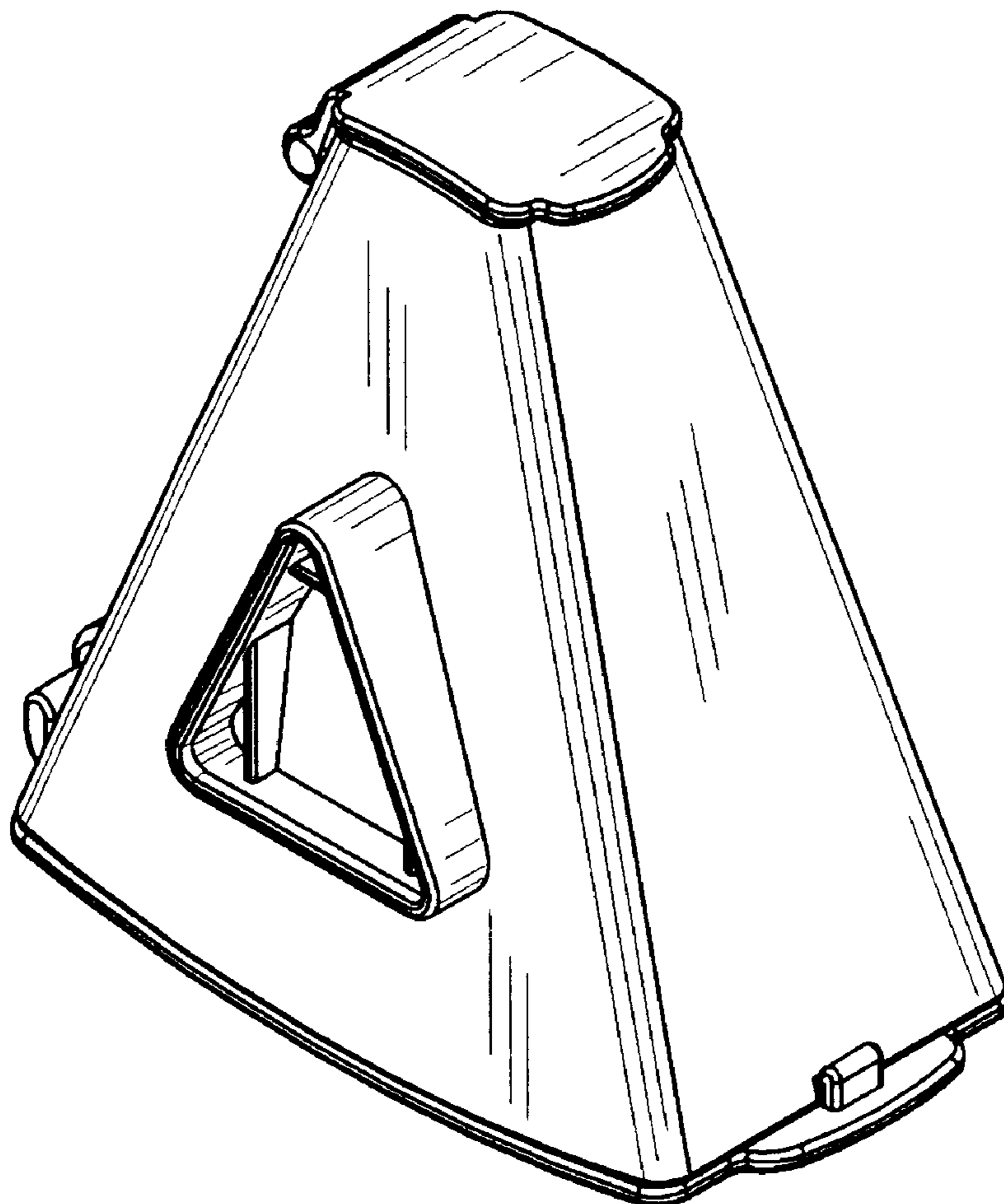
FIG. 1 is a perspective view of the travel container for powdered substances showing my new design, with the tip and bottom lids shown closed;  
FIG. 2 is a right side view thereof;  
FIG. 3 is a left side view thereof;  
FIG. 4 is a rear view thereof;  
FIG. 5 is a front view thereof;  
FIG. 6 is a bottom view thereof; and,  
FIG. 7 is a top view.

(56) **References Cited**

**U.S. PATENT DOCUMENTS**

D445,563 S \* 7/2001 Cautereels ..... D28/78

**1 Claim, 3 Drawing Sheets**



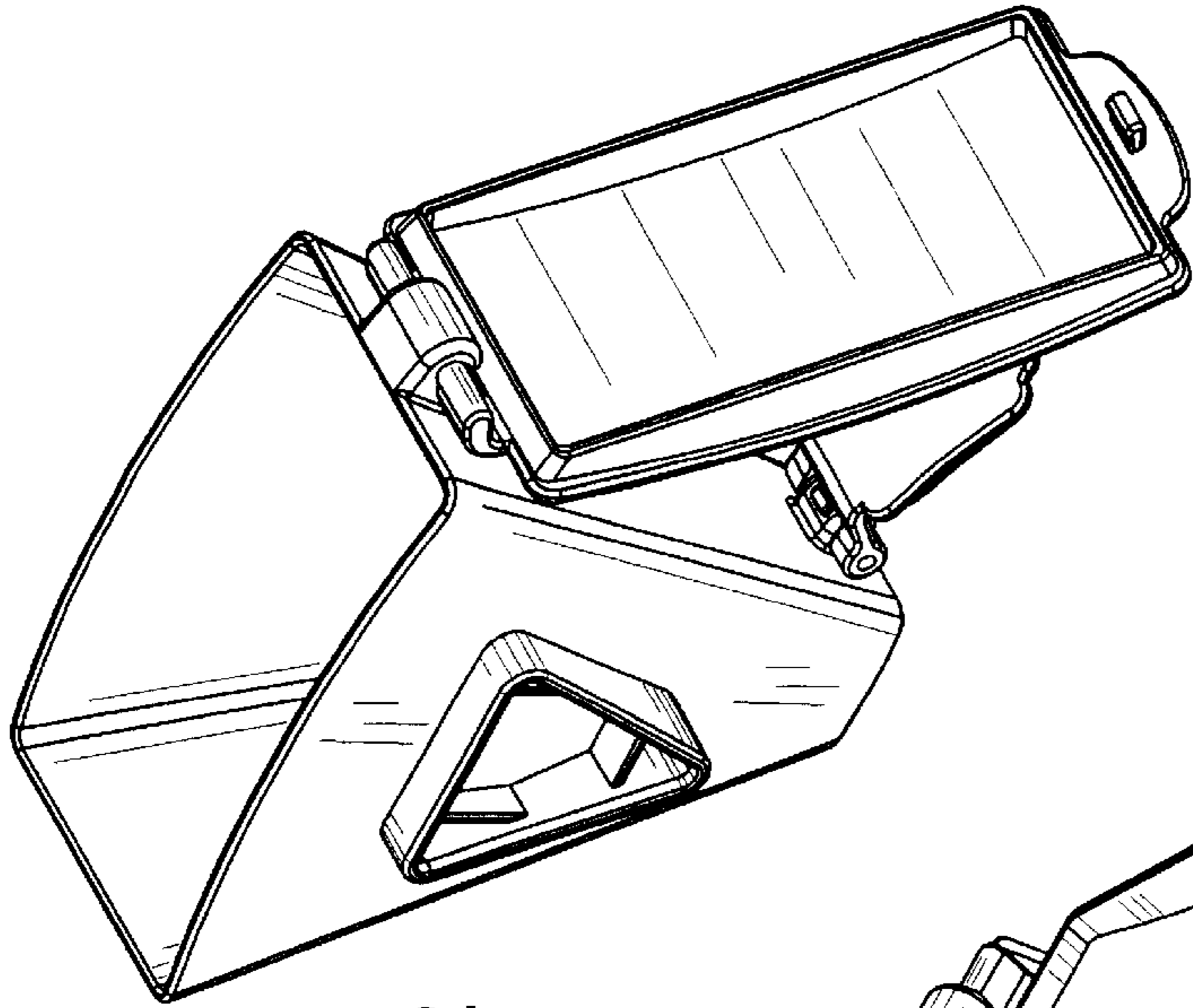


FIG. 2

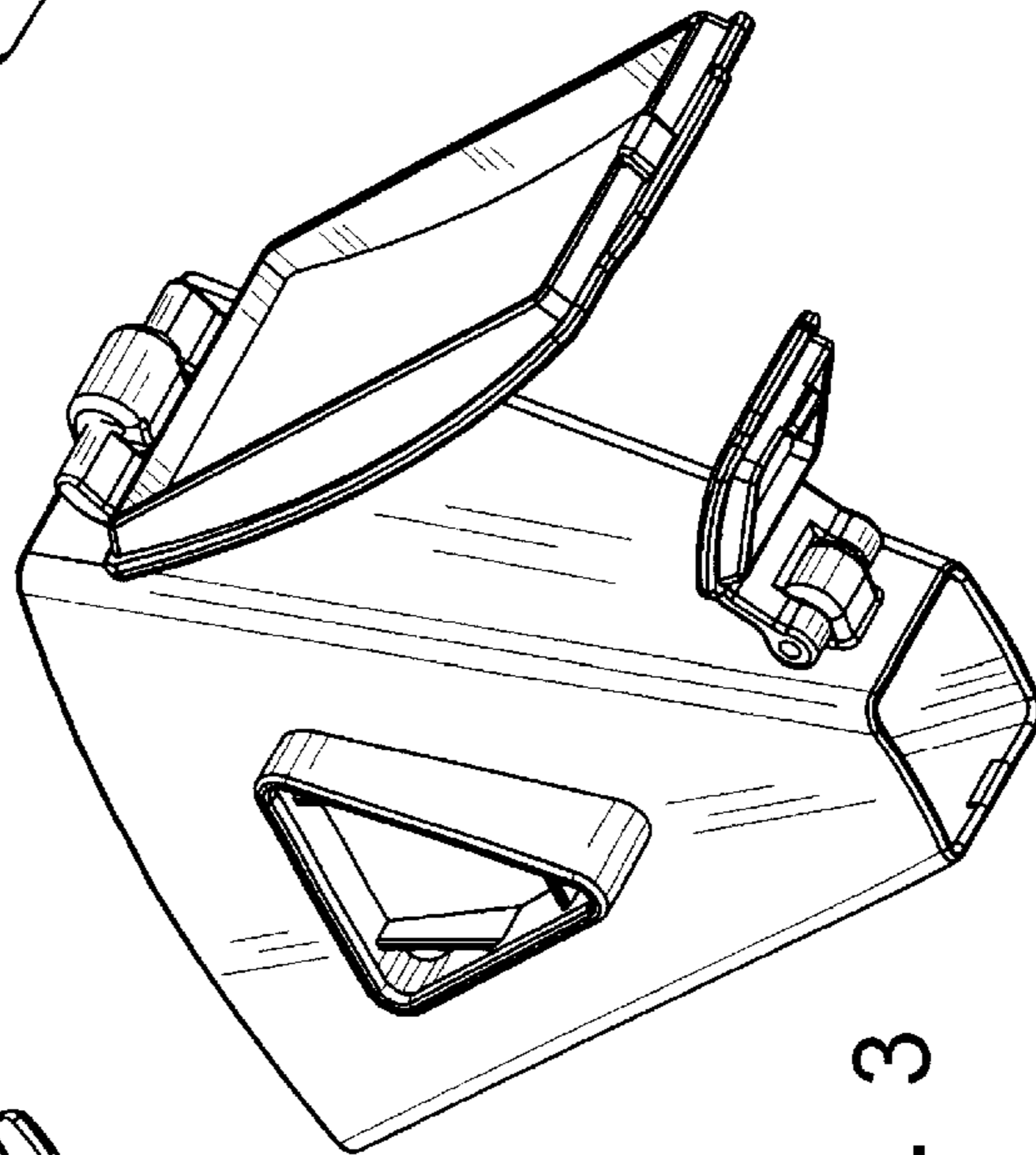


FIG. 3

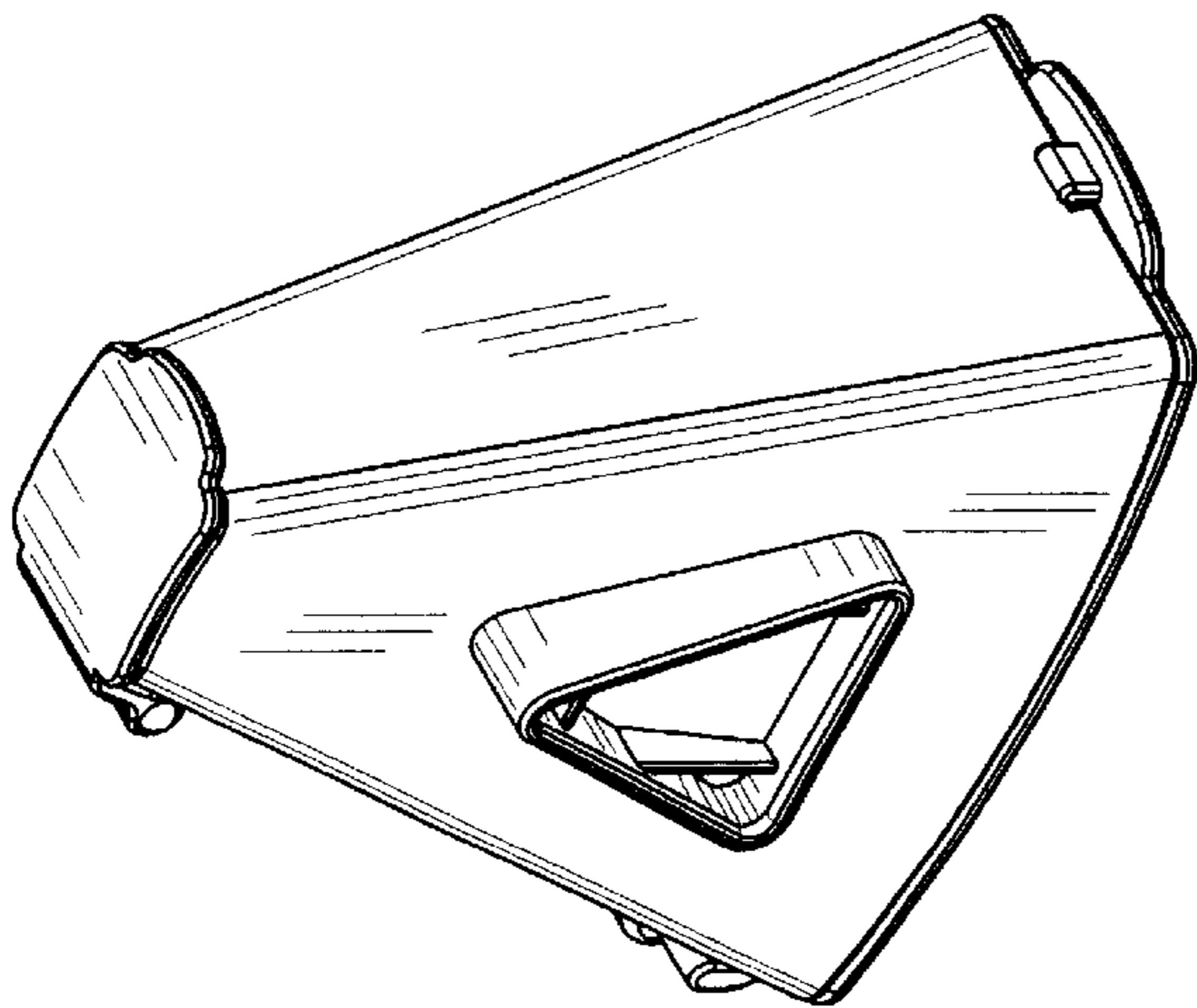


FIG. 1

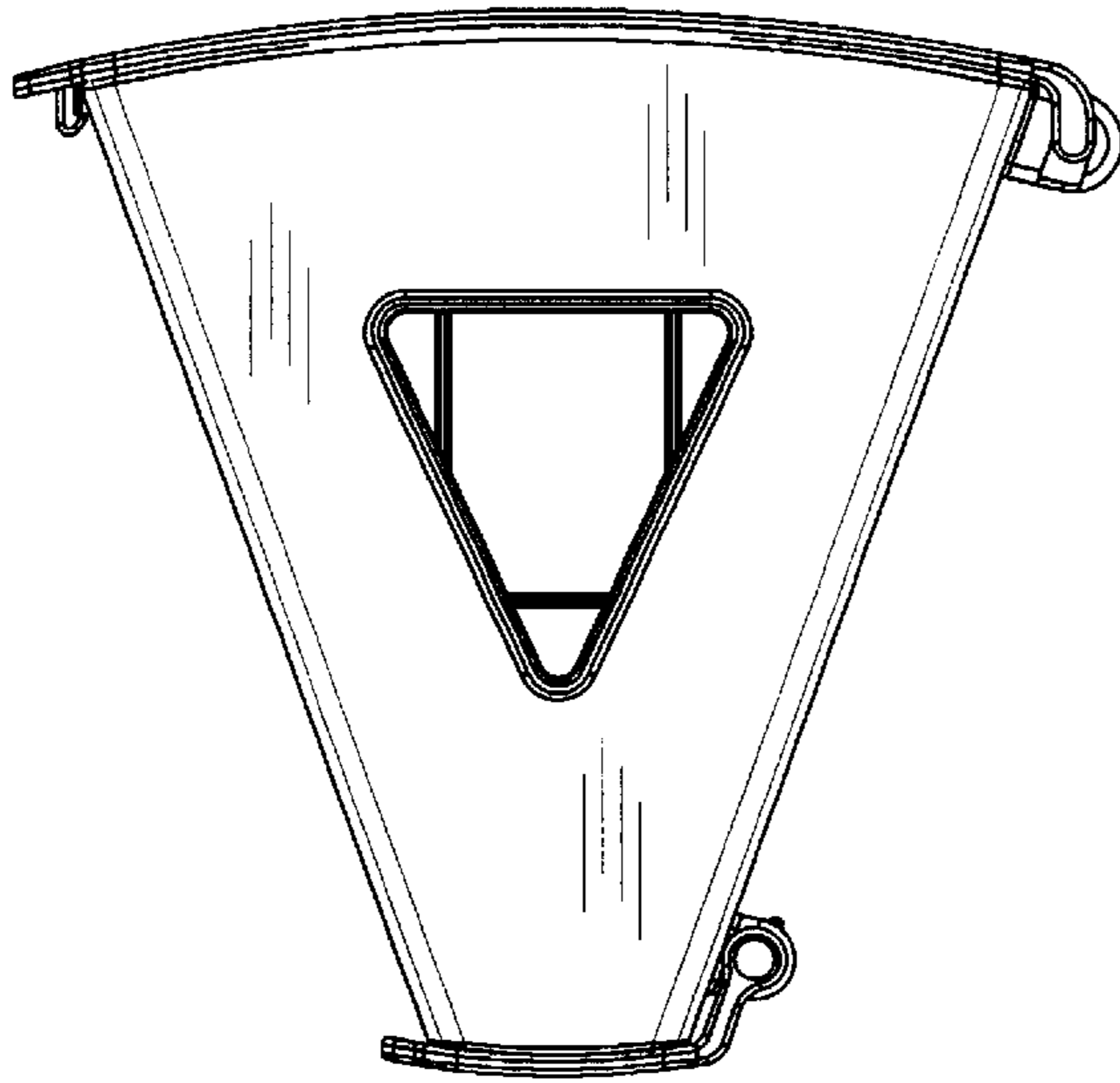


FIG. 4

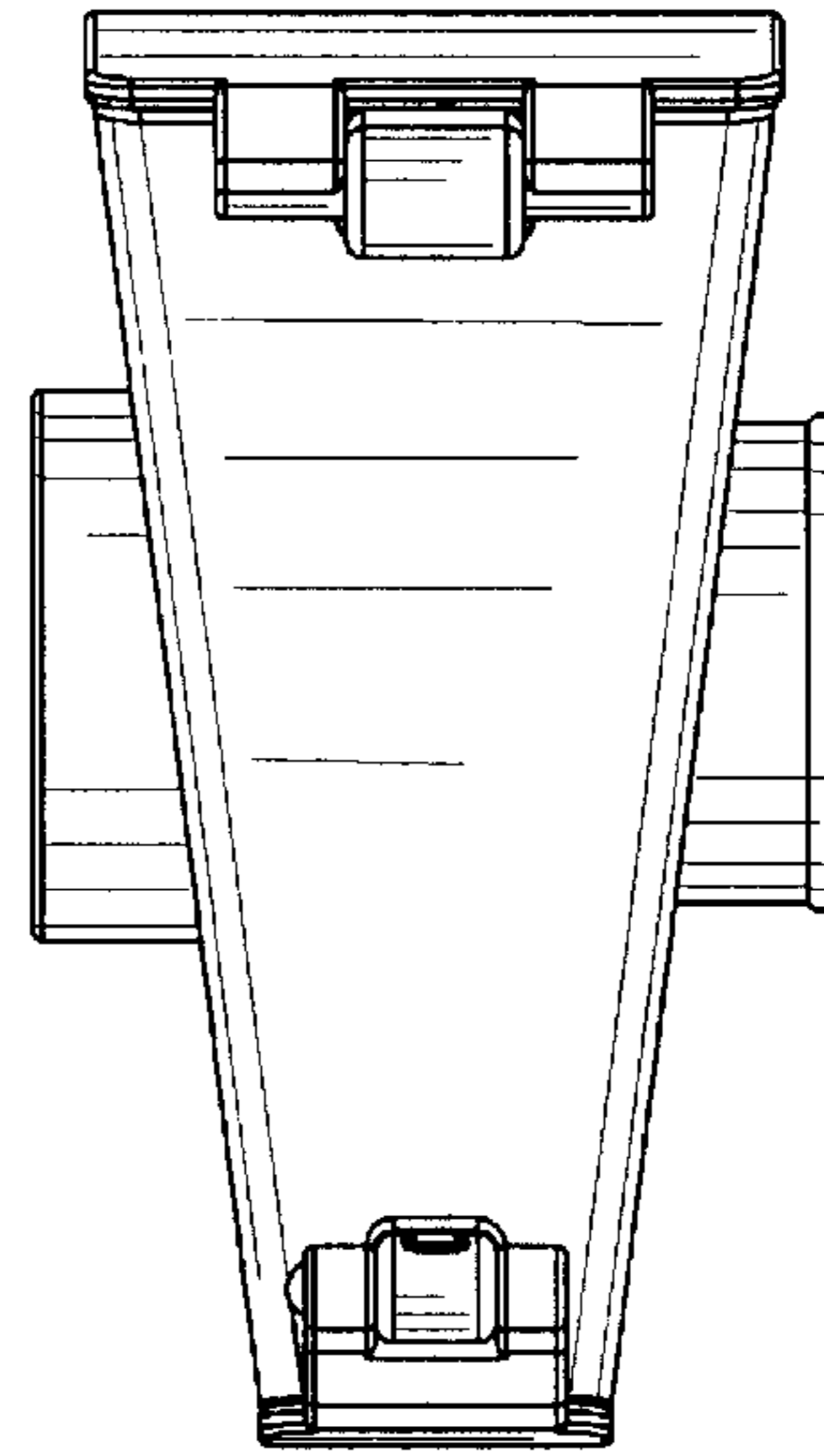


FIG. 6

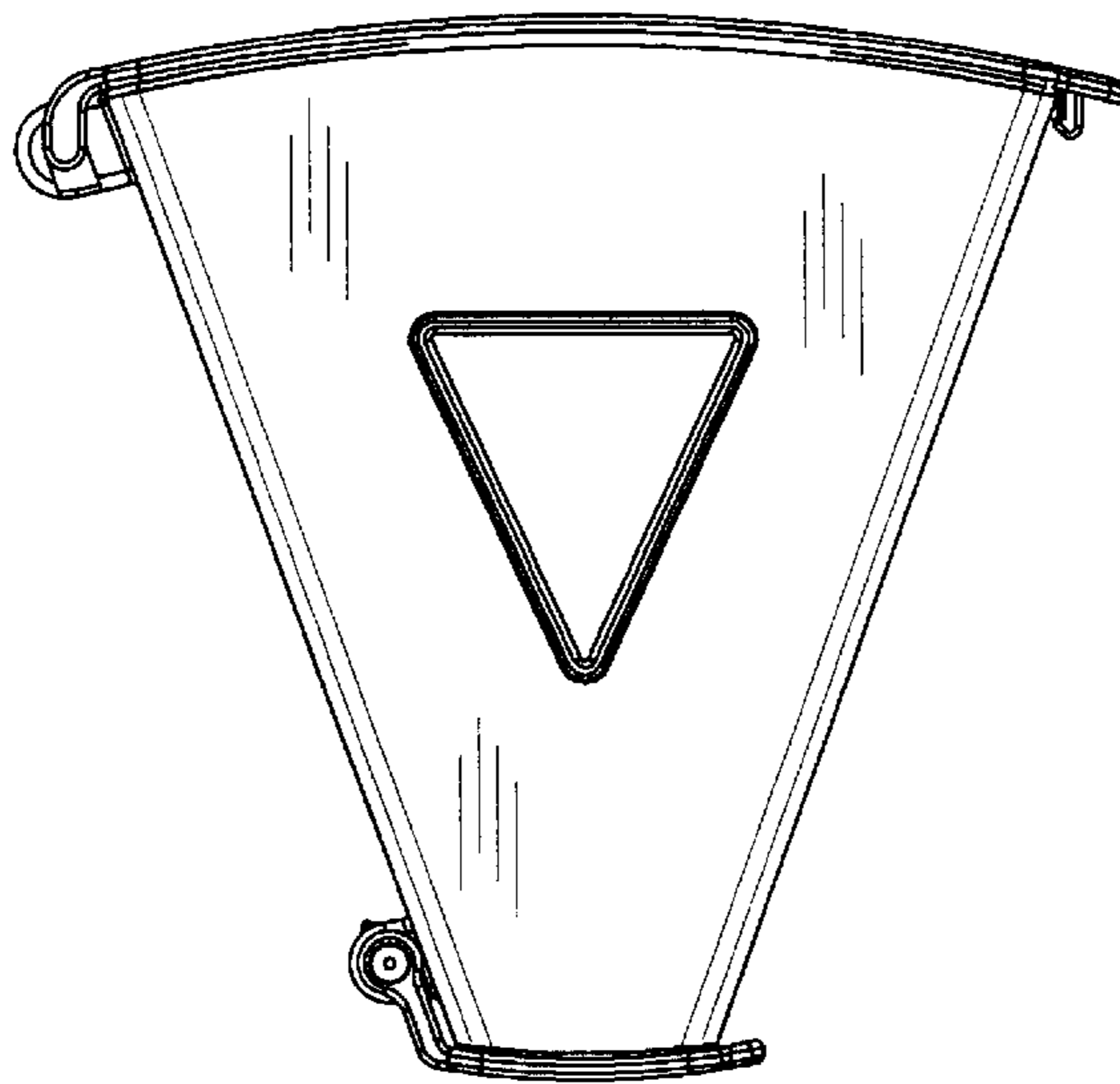


FIG. 5

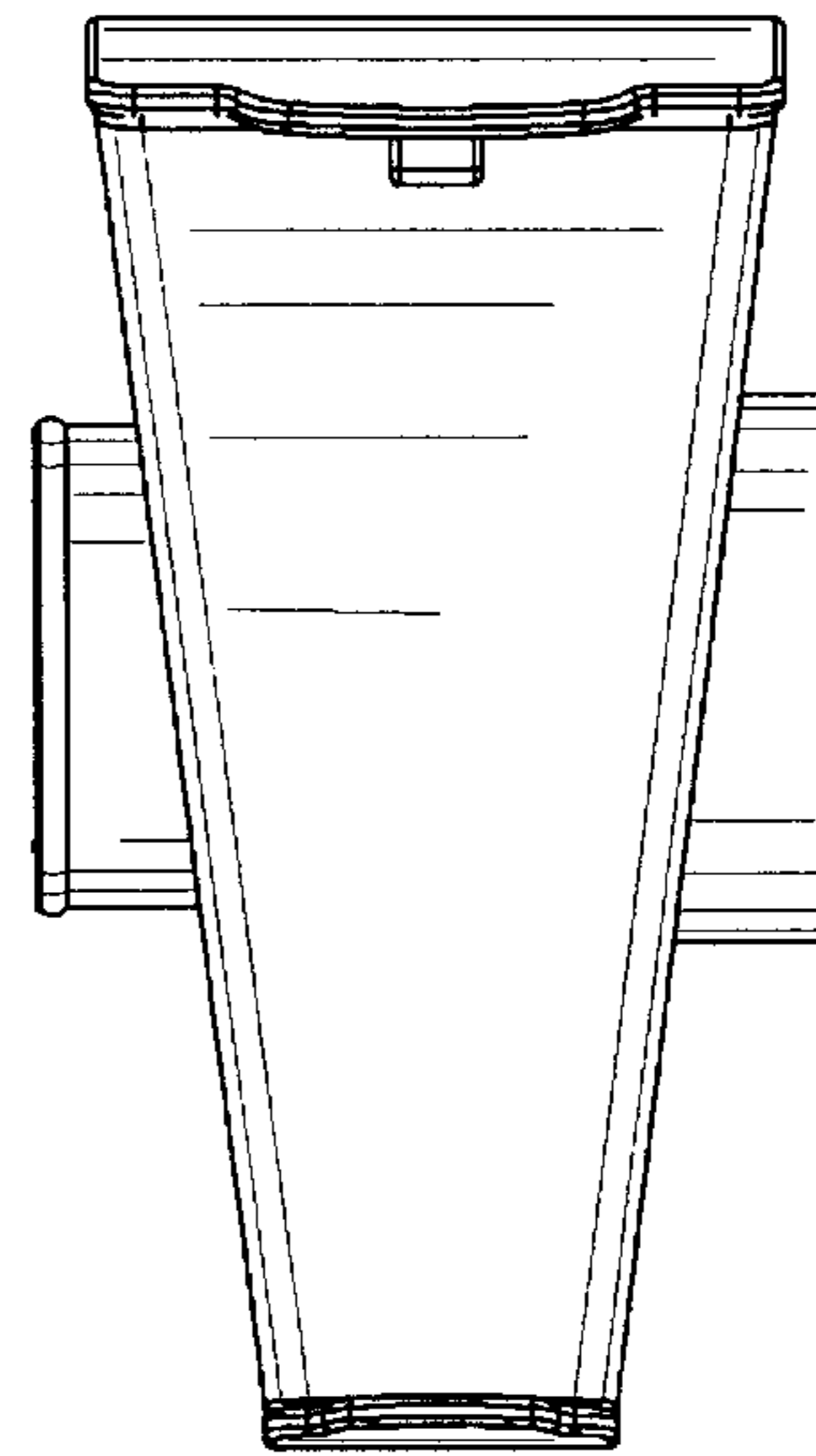


FIG. 7

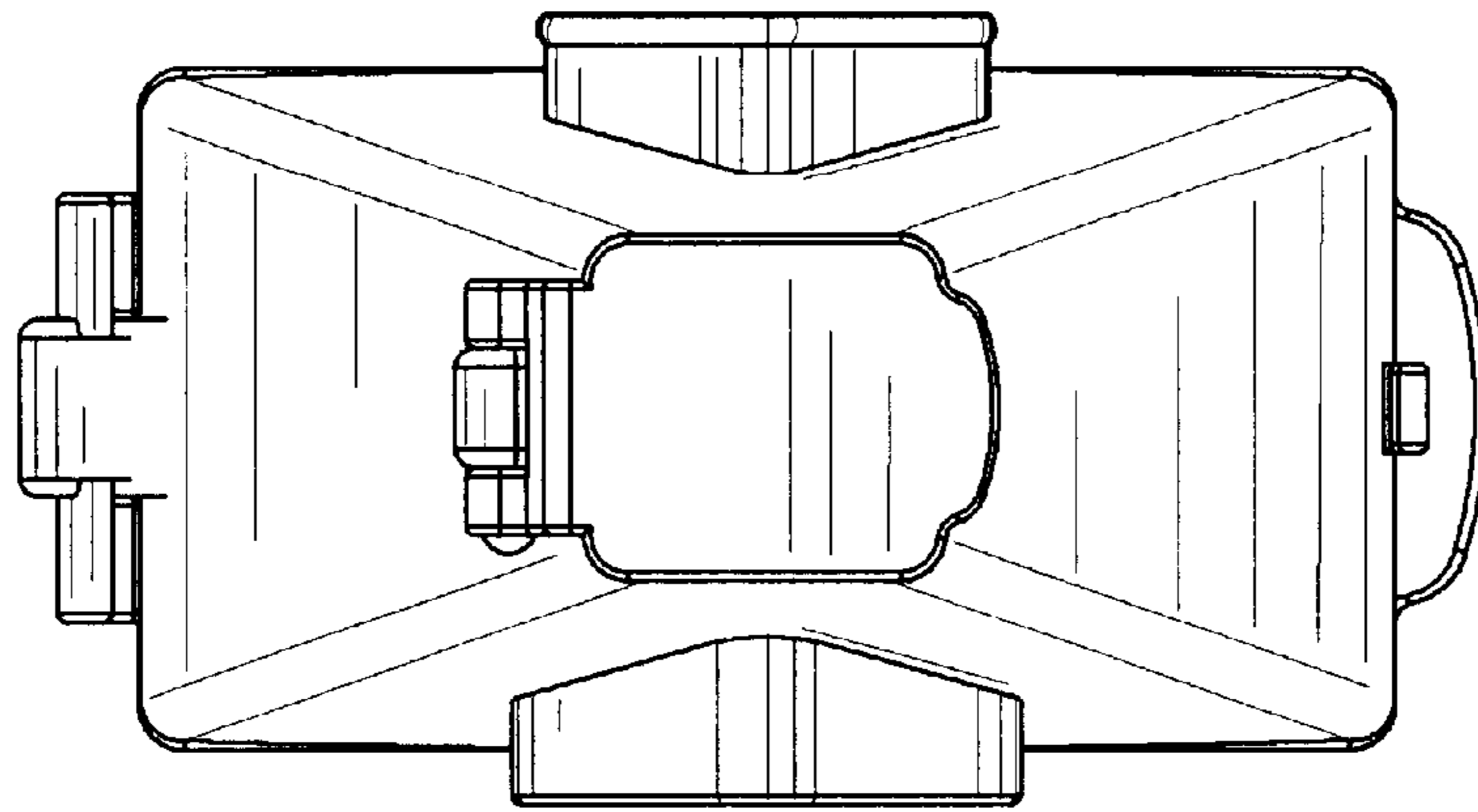


FIG. 8

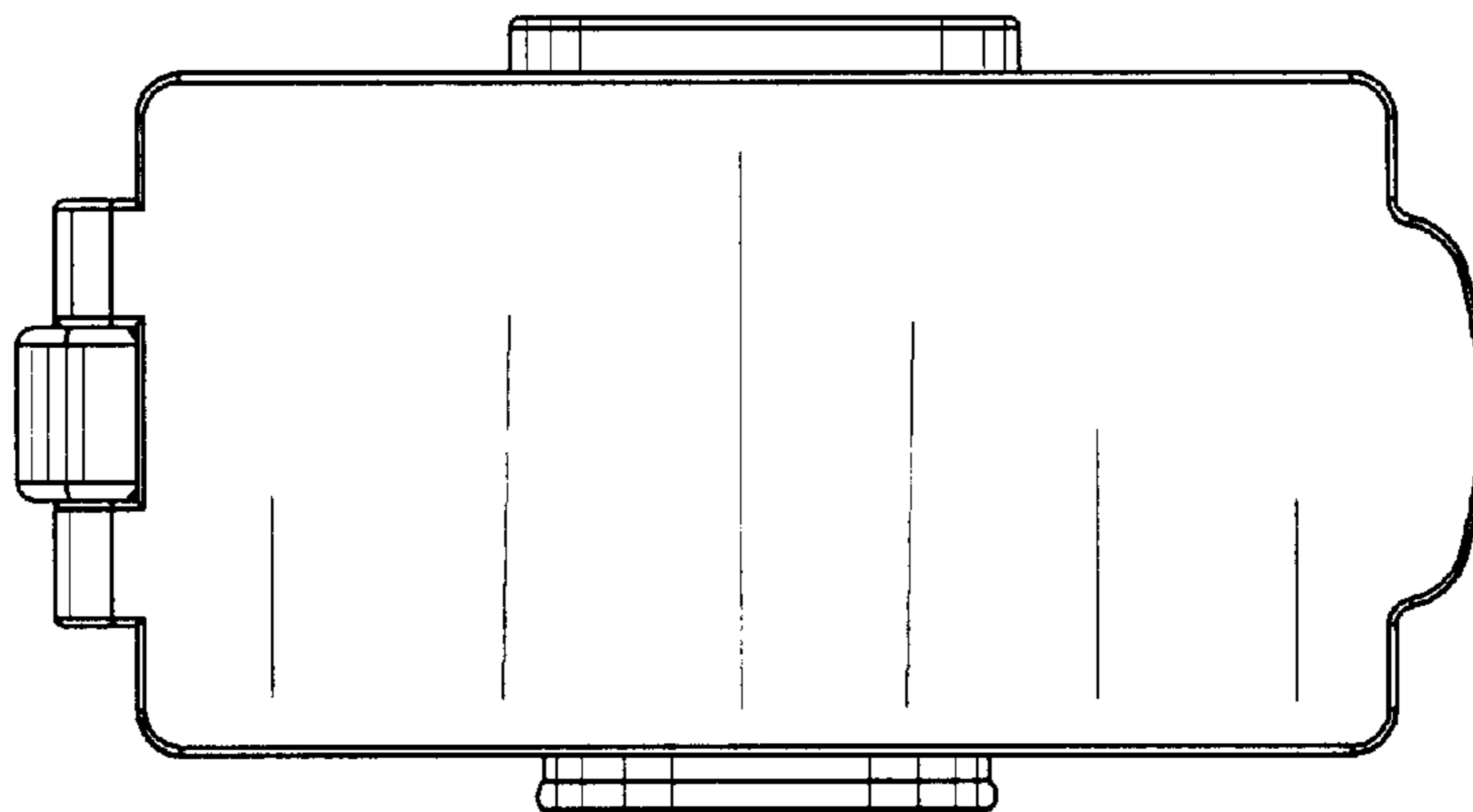


FIG. 9