

US00D544703S

(12) **United States Design Patent**
Hadjis et al.

(10) **Patent No.: US D544,703 S**
(45) **Date of Patent: ** Jun. 19, 2007**

(54) **CARRIER FOR LABORATORY AND CLINICAL ACCESSORIES**

Primary Examiner—Catherine R. Oliver
(74) *Attorney, Agent, or Firm*—Michael Best & Friedrich LLP

(75) Inventors: **Peter T. Hadjis**, Vernon Hills, IL (US);
Christopher J. Stvartak, Skokie, IL (US)

(57) **CLAIM**

The ornamental design for a carrier for laboratory and clinical accessories, as shown.

(73) Assignee: **Heathrow Scientific LLC**, Vernon Hills, IL (US)

(**) Term: **14 Years**

DESCRIPTION

(21) Appl. No.: **29/247,719**

(22) Filed: **Jul. 6, 2006**

(51) **LOC (8) Cl.** **03-01**

(52) **U.S. Cl.** **D3/203.1; D3/315**

(58) **Field of Classification Search** D3/203.1,
D3/201, 203.3, 203.6, 203.7, 315, 304–310,
D3/901, 904–905; 206/349, 372–378
See application file for complete search history.

FIG. 1 is a bottom view of the carrier for laboratory and clinical accessories;

FIG. 2 is a front elevation view of the carrier of FIG. 1;

FIG. 3 is a left side elevation view of the carrier of FIG. 1;

FIG. 4 is a right side elevation view of the carrier of FIG. 1;

FIG. 5 is a right side elevation view of the carrier of FIG. 1 with drawer open;

FIG. 6 is a top view of the carrier of FIG. 1.

FIG. 7 is a rear elevation view of the carrier of FIG. 1;

FIG. 8 is a top view of the carrier of FIG. 1 with insert;

FIG. 9 is a perspective view of the carrier of FIG. 1 with insert; and,

FIG. 10 is a perspective view of the carrier of FIG. 1 with insert and drawer open.

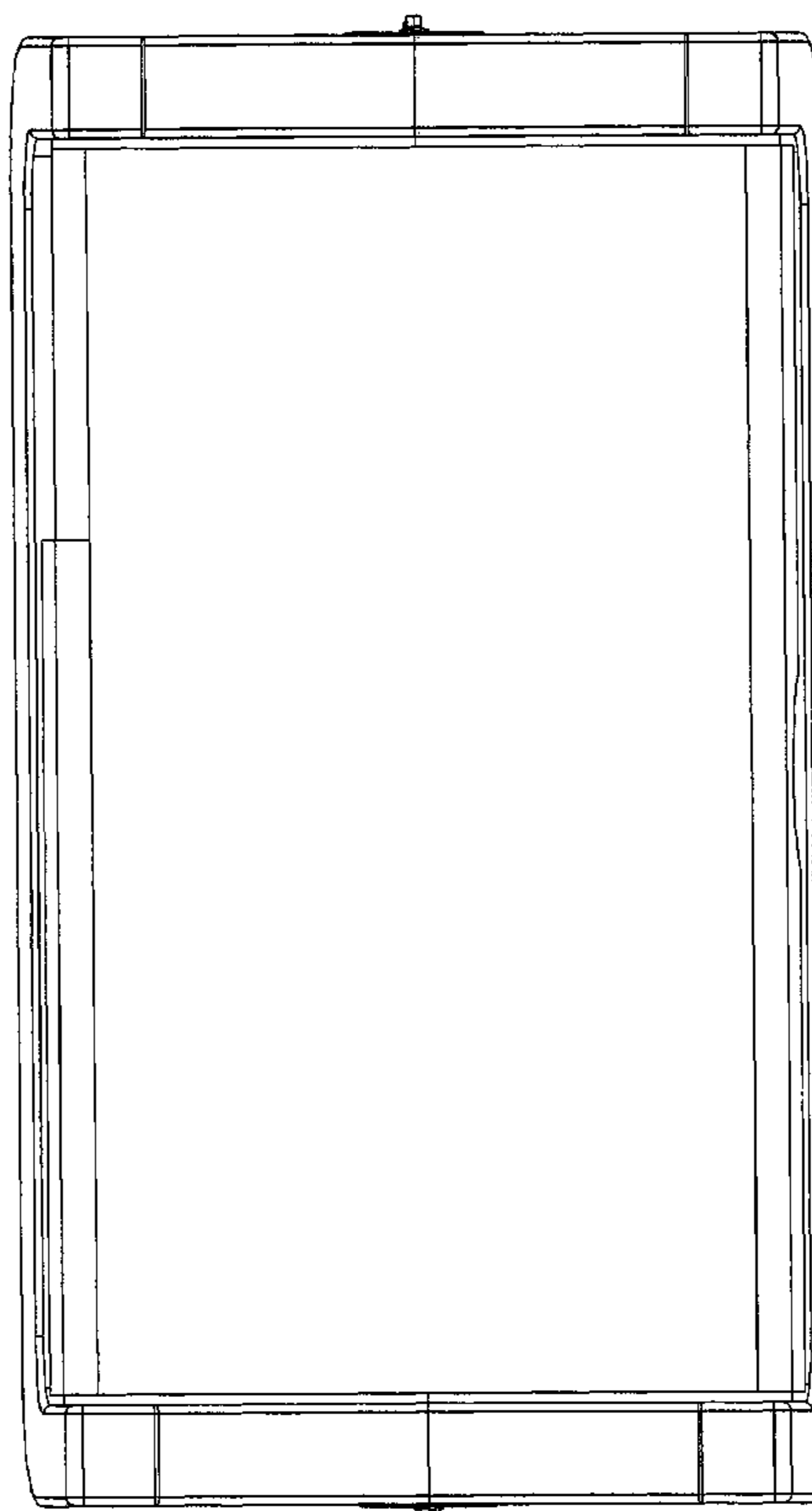
(56) **References Cited**

U.S. PATENT DOCUMENTS

D331,307 S	*	11/1992	McConnell	D3/308
D341,462 S	*	11/1993	Ballester	D3/308
D347,942 S	*	6/1994	Gilbert et al.	D3/308
D420,221 S	*	2/2000	Williams et al.	D3/315
D525,032 S	*	7/2006	Jones	D3/315

* cited by examiner

1 Claim, 10 Drawing Sheets



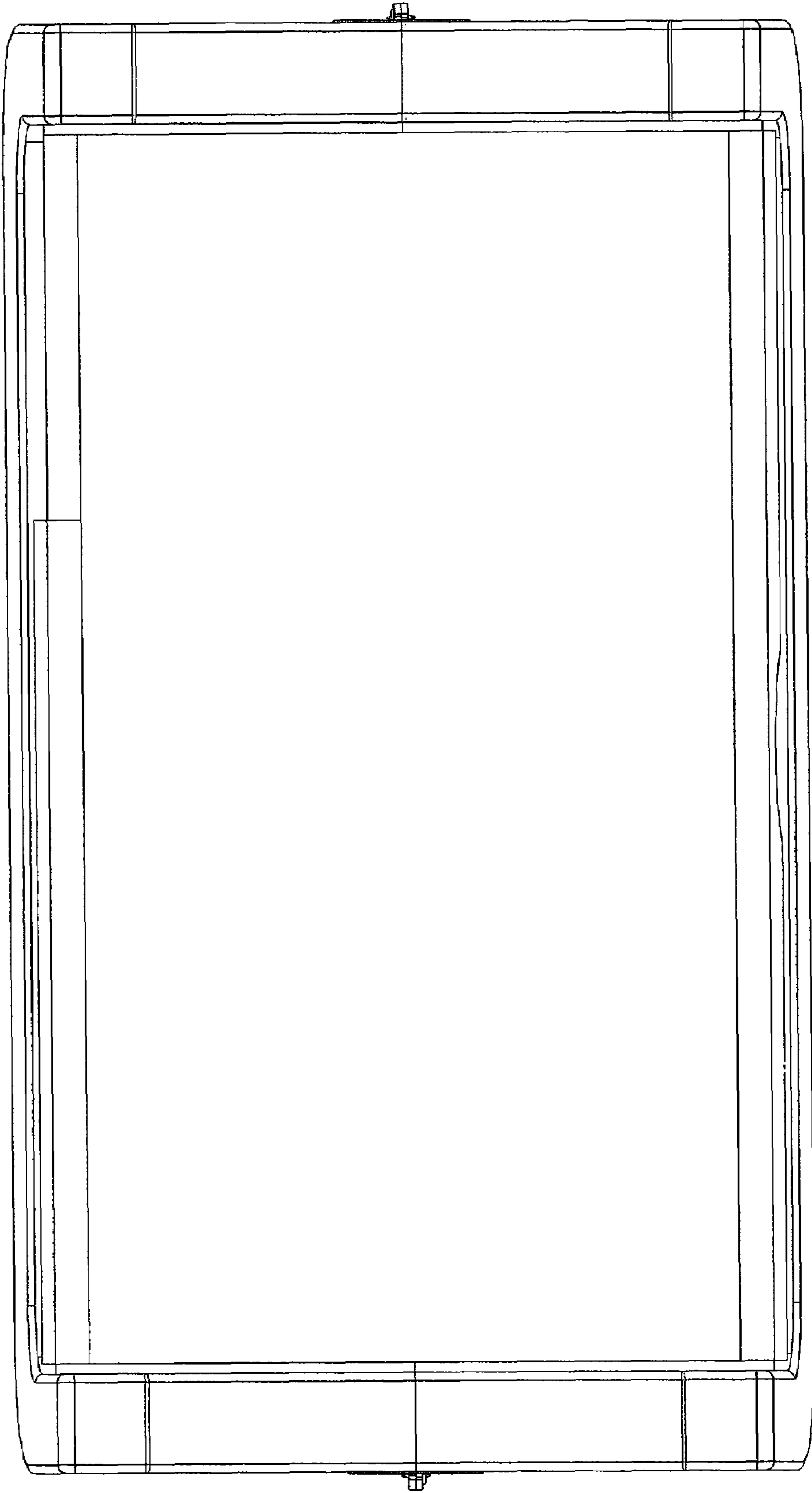


FIG. 1

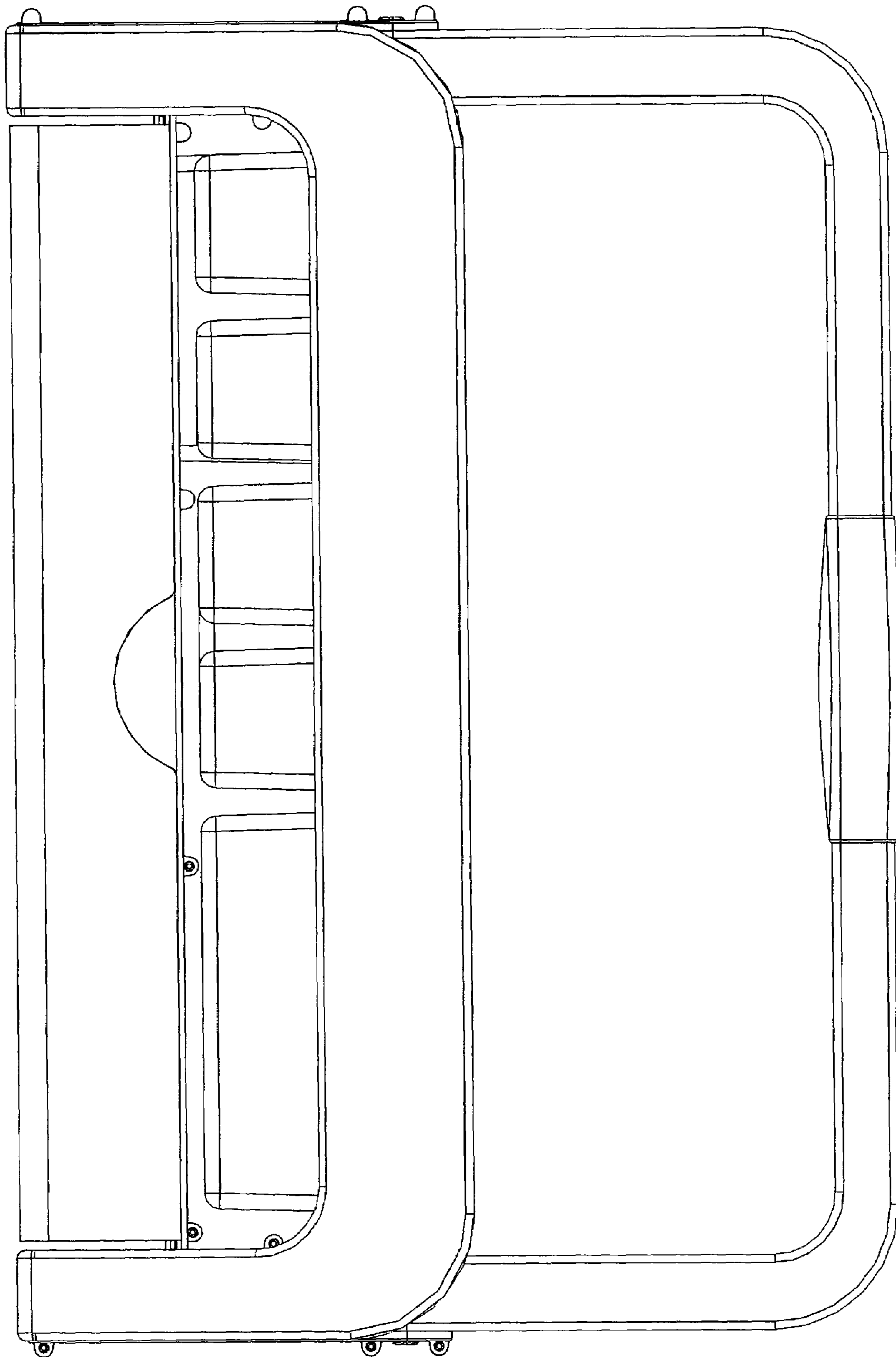


FIG. 2

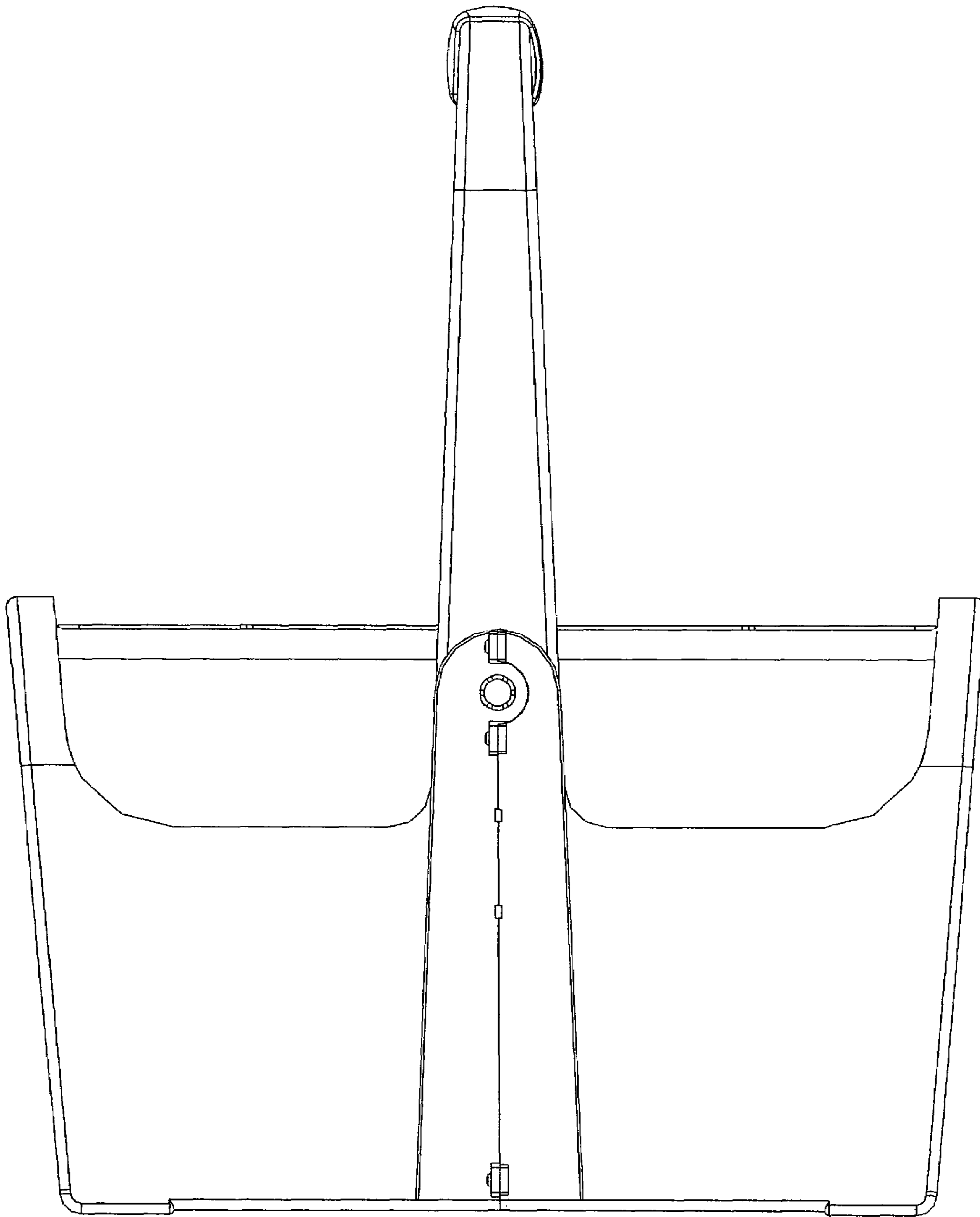


FIG. 3

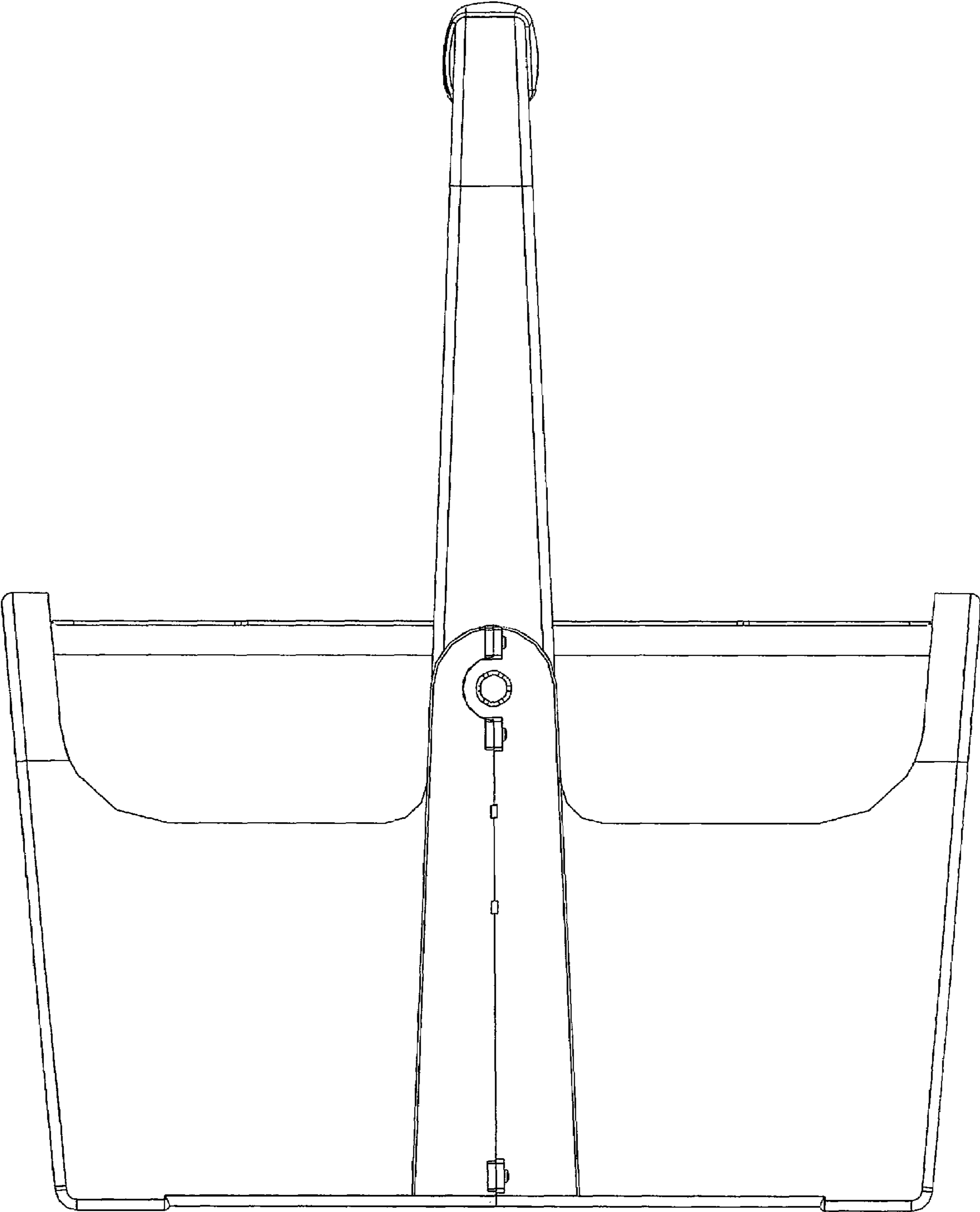


FIG. 4

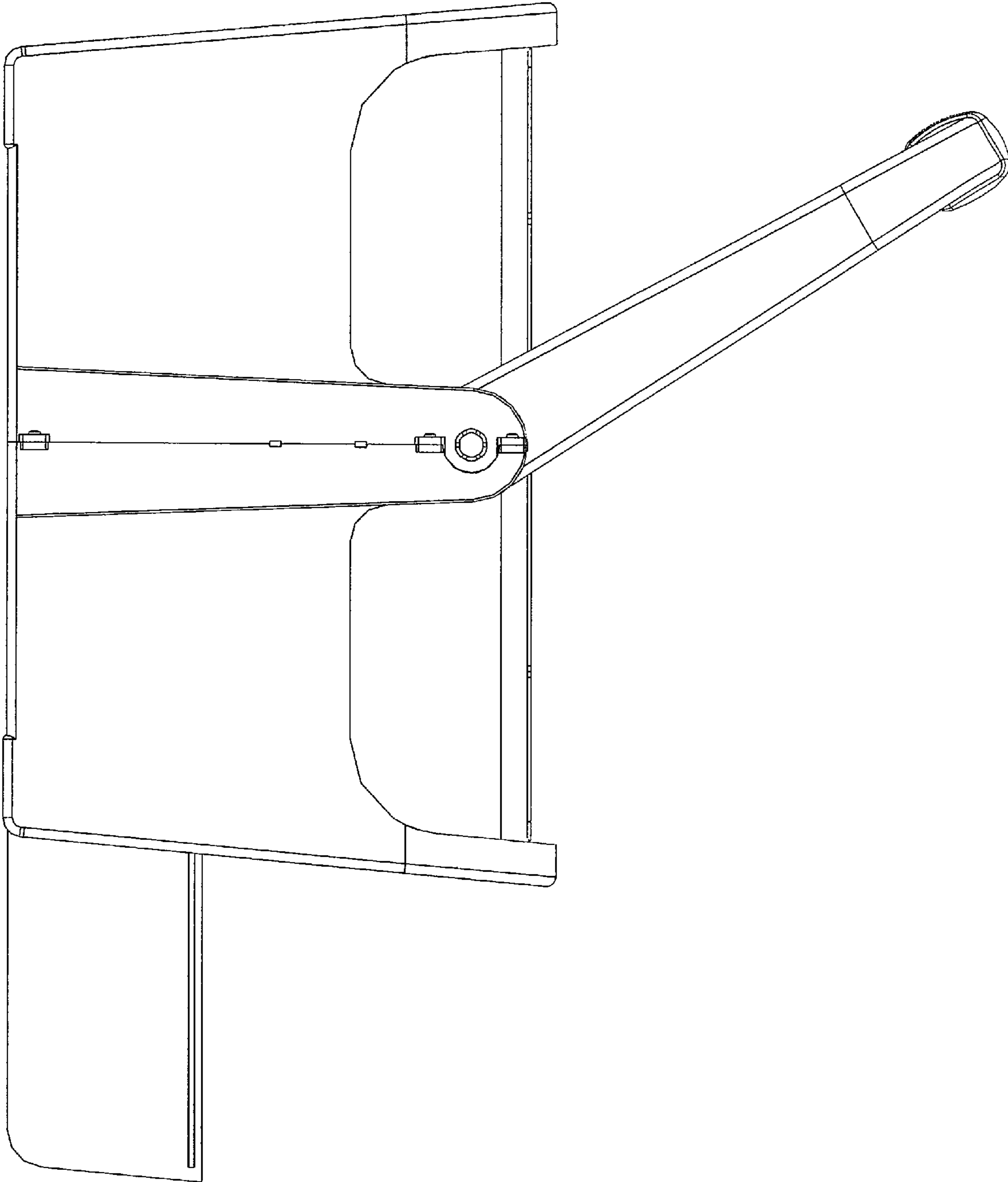


FIG. 5

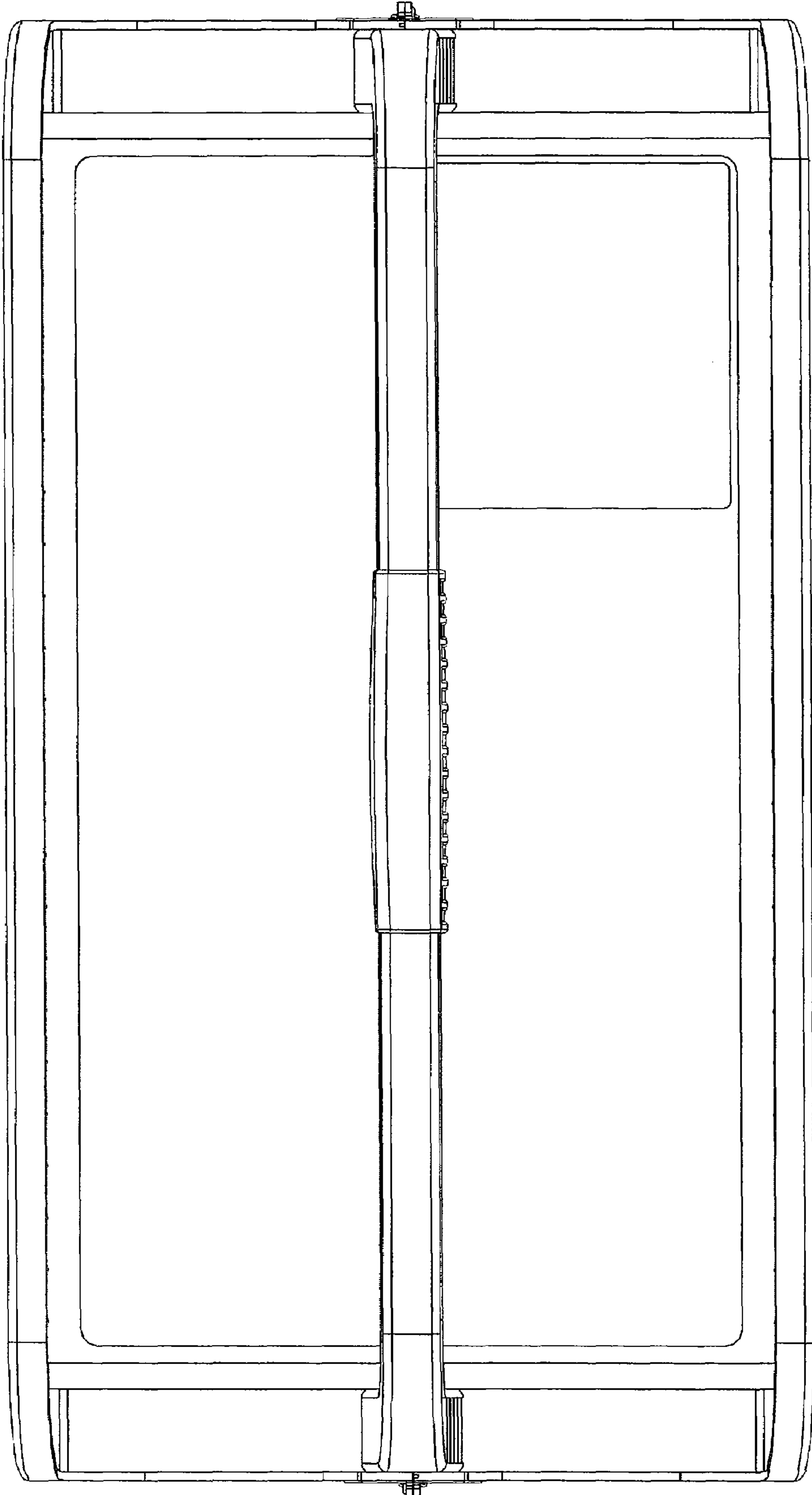


FIG. 6

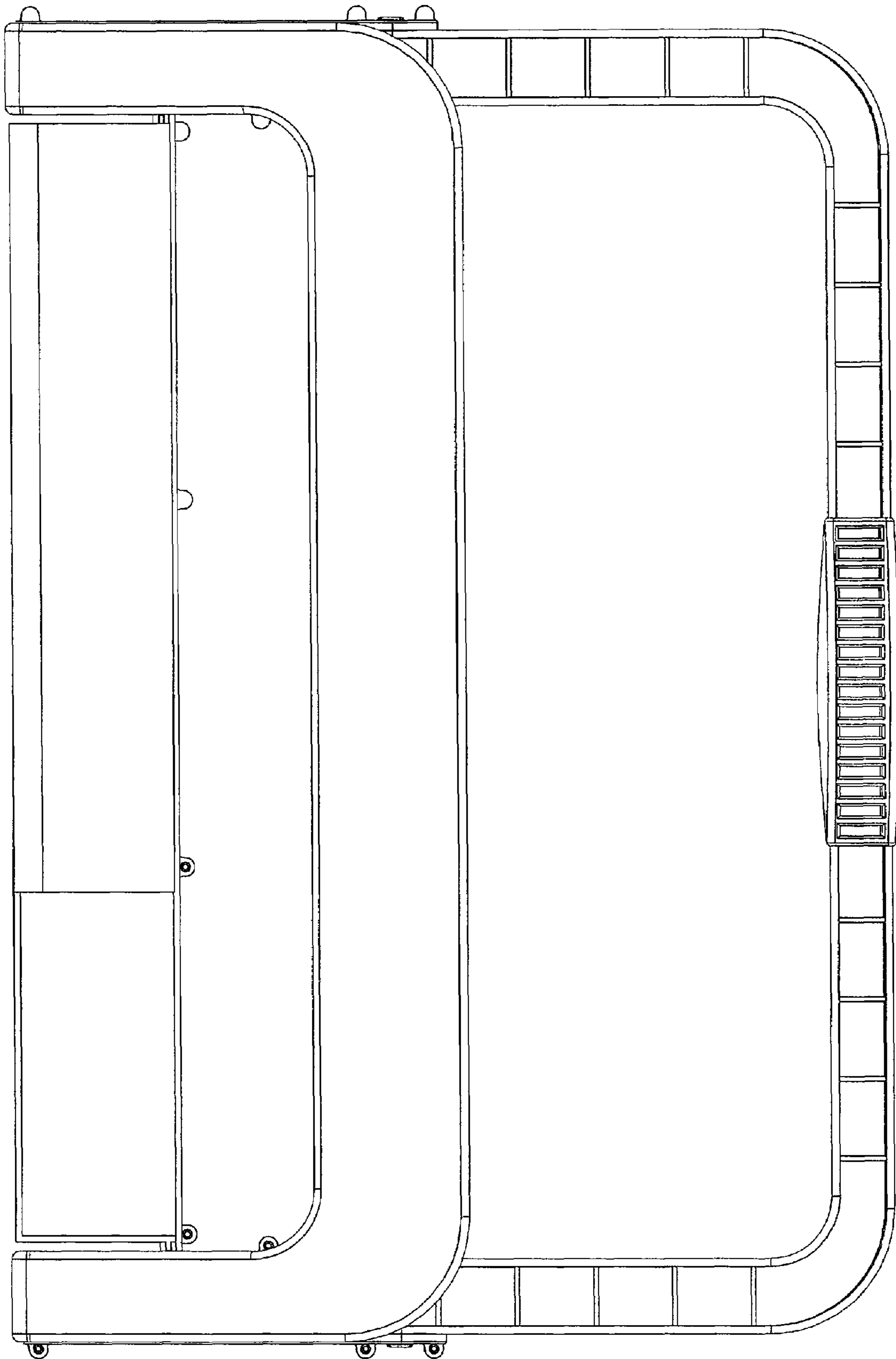


FIG. 7

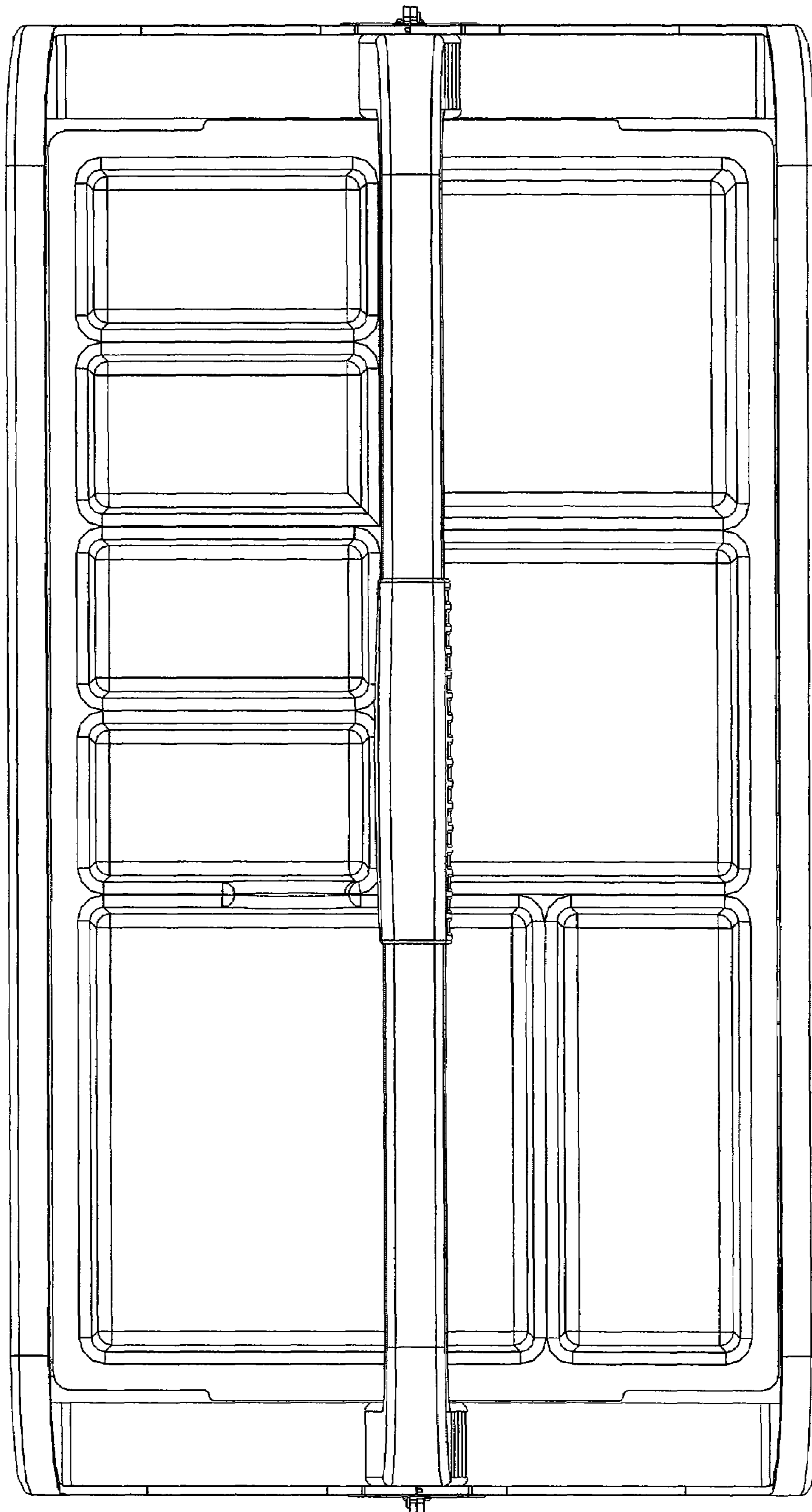


FIG. 8

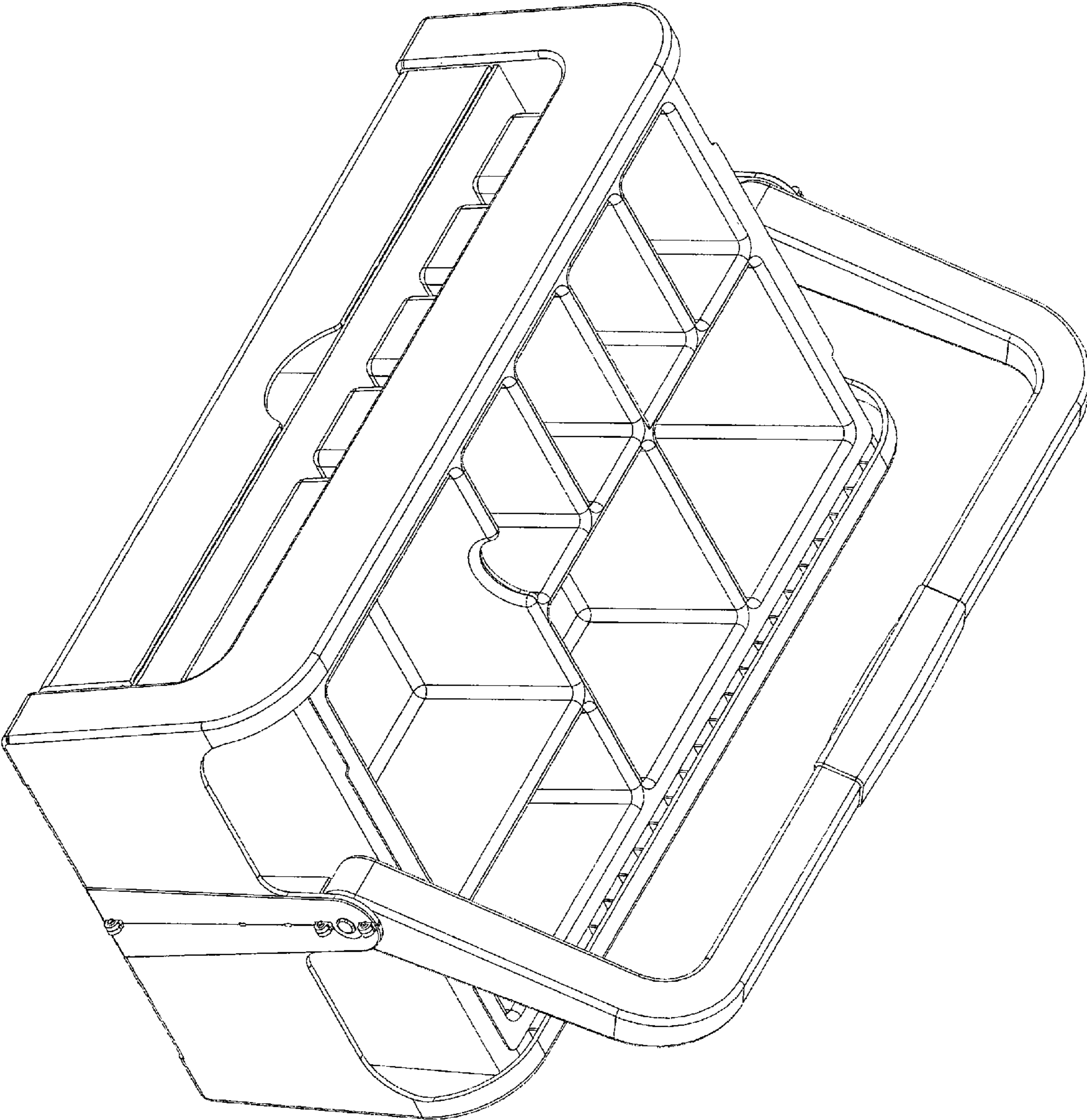


FIG. 9

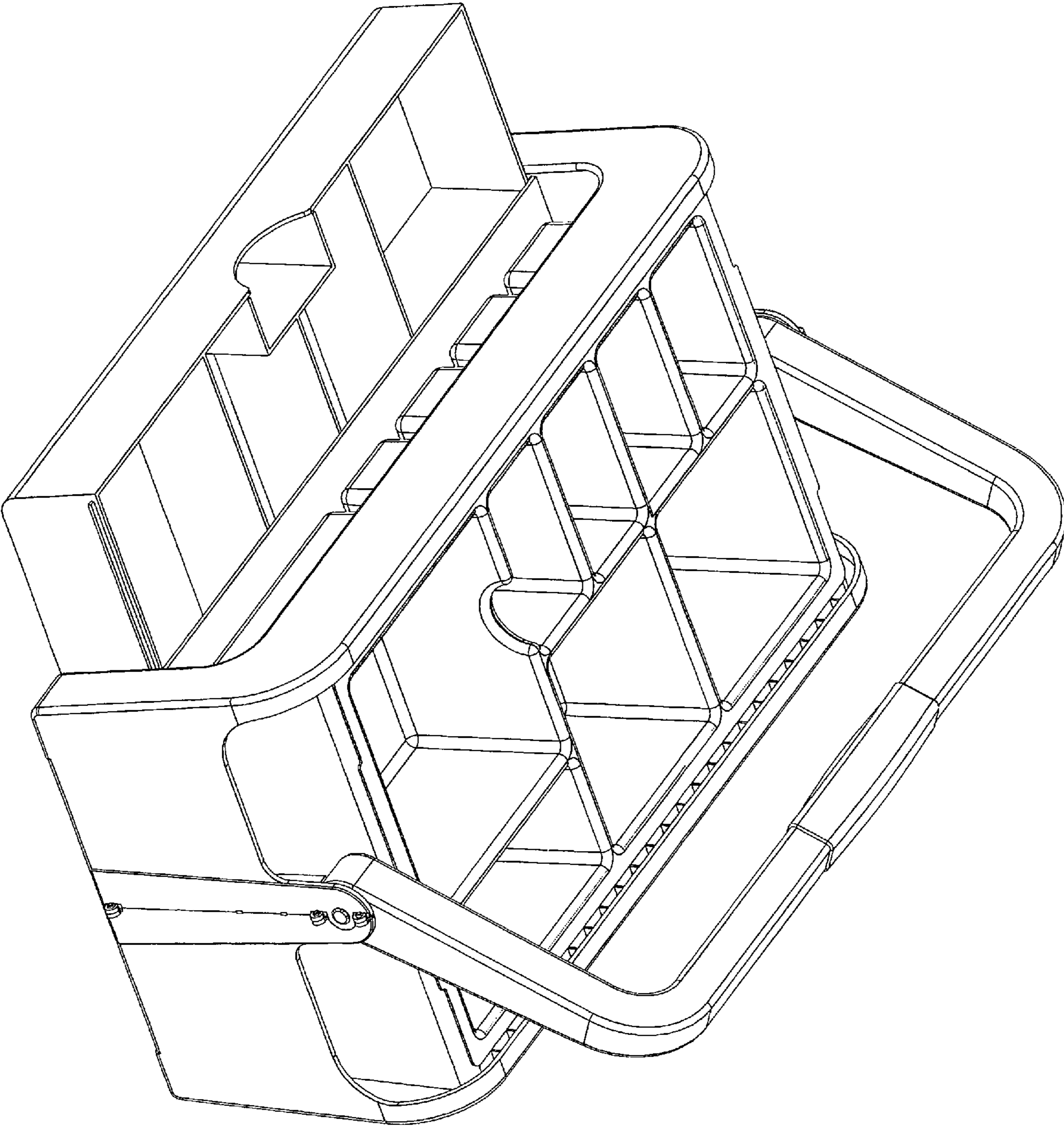


FIG. 10