

US00D544675S

(12) **United States Design Patent**
Ishikawa et al.

(10) **Patent No.:** **US D544,675 S**
(45) **Date of Patent:** **** Jun. 12, 2007**

(54) **PALLET**

(75) Inventors: **Sakae Ishikawa**, Kanagawa (JP);
Hideyuki Goda, Kanagawa (JP);
Tsuyoshi Abe, Tokyo (JP); **Moku**
Naruishi, Kanagawa (JP); **Rikio**
Kasahara, Kanagawa (JP); **Toshikazu**
Ando, Kanagawa (JP)

3,986,659 A * 10/1976 Vajtay 229/125.17
4,050,604 A * 9/1977 Flanders 220/4.28
4,765,252 A * 8/1988 Shuert 108/55.1
D297,619 S * 9/1988 Cheval et al. D3/272
4,989,731 A * 2/1991 Shuert 206/386
6,371,299 B1 * 4/2002 Essary 206/600
D492,835 S * 7/2004 Michaels et al. D34/38
D527,860 S * 9/2006 Esposito D34/38

(73) Assignee: **Ricoh Company, Ltd.**, Tokyo (JP)

* cited by examiner

(**) Term: **14 Years**

Primary Examiner—Cynthia E. Ramirez

(21) Appl. No.: **29/260,755**

(74) *Attorney, Agent, or Firm*—Dickstein Shapiro LLP

(22) Filed: **Jun. 1, 2006**

(57) **CLAIM**

The ornamental design for a pallet, as shown and described.

(30) **Foreign Application Priority Data**

DESCRIPTION

Dec. 2, 2005 (JP) 2005-035754

(51) **LOC (8) Cl.** **09-08**

FIG. 1 is a front elevational view of a pallet according to the present invention;

(52) **U.S. Cl.** **D34/38**

FIG. 2 is a top plan view thereof;

(58) **Field of Classification Search** D34/38;
108/51.11, 53.3, 54.1, 55.3, 56.1, 51.1; 206/596,
206/599, 600

FIG. 3 is a bottom plan view thereof;

See application file for complete search history.

FIG. 4 is a right elevational view thereof;

FIG. 5 is a left elevational view thereof;

(56) **References Cited**

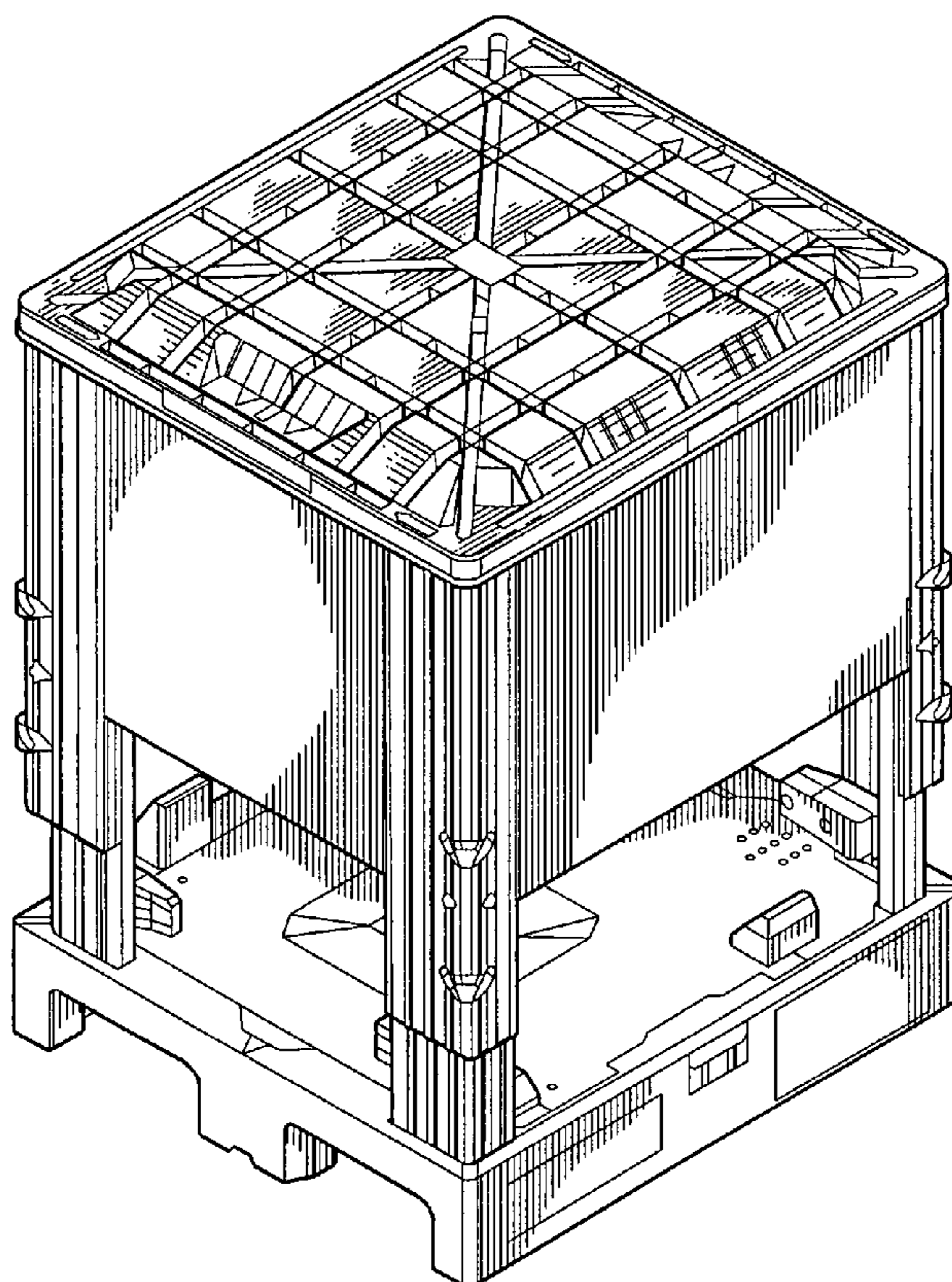
FIG. 6 is a top plan view with the top lid removed for convenience of illustration; and,

U.S. PATENT DOCUMENTS

FIG. 7 is a top, front and right side perspective view thereof.

3,502,237 A * 3/1970 Verhein et al. 220/4.28
3,968,895 A * 7/1976 Barnes et al. 220/1.5

1 Claim, 7 Drawing Sheets



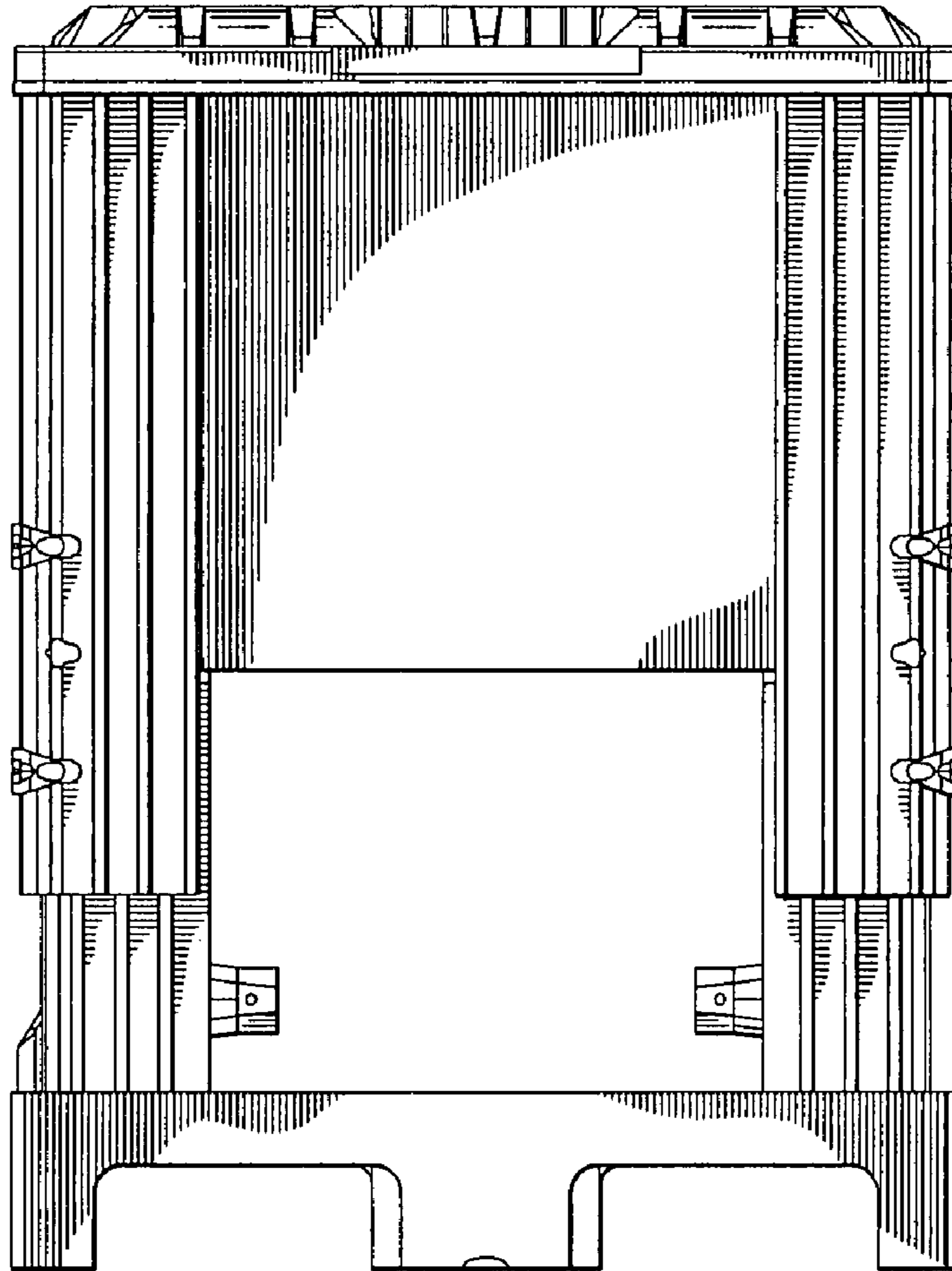


FIG. 1

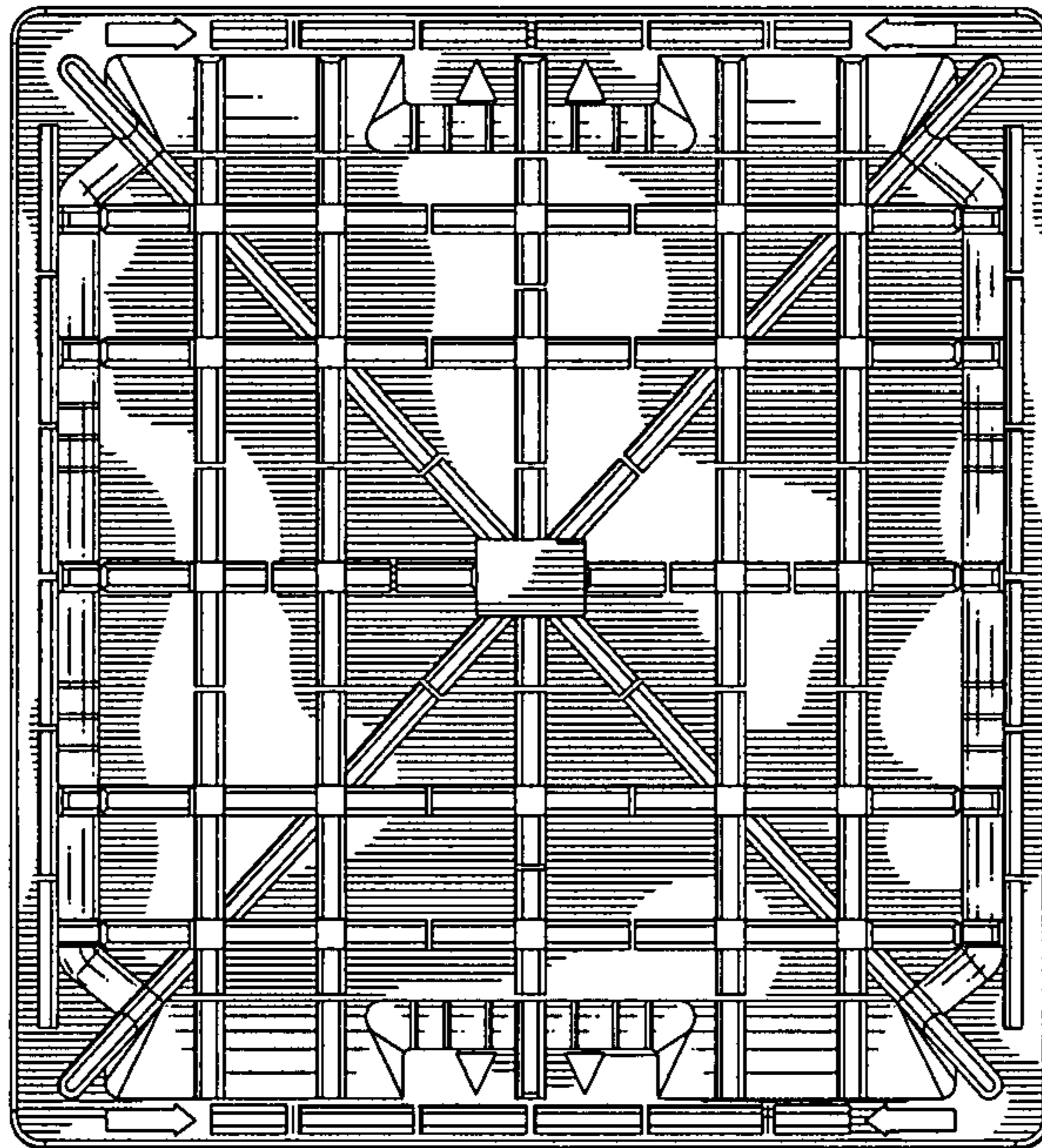


FIG. 2

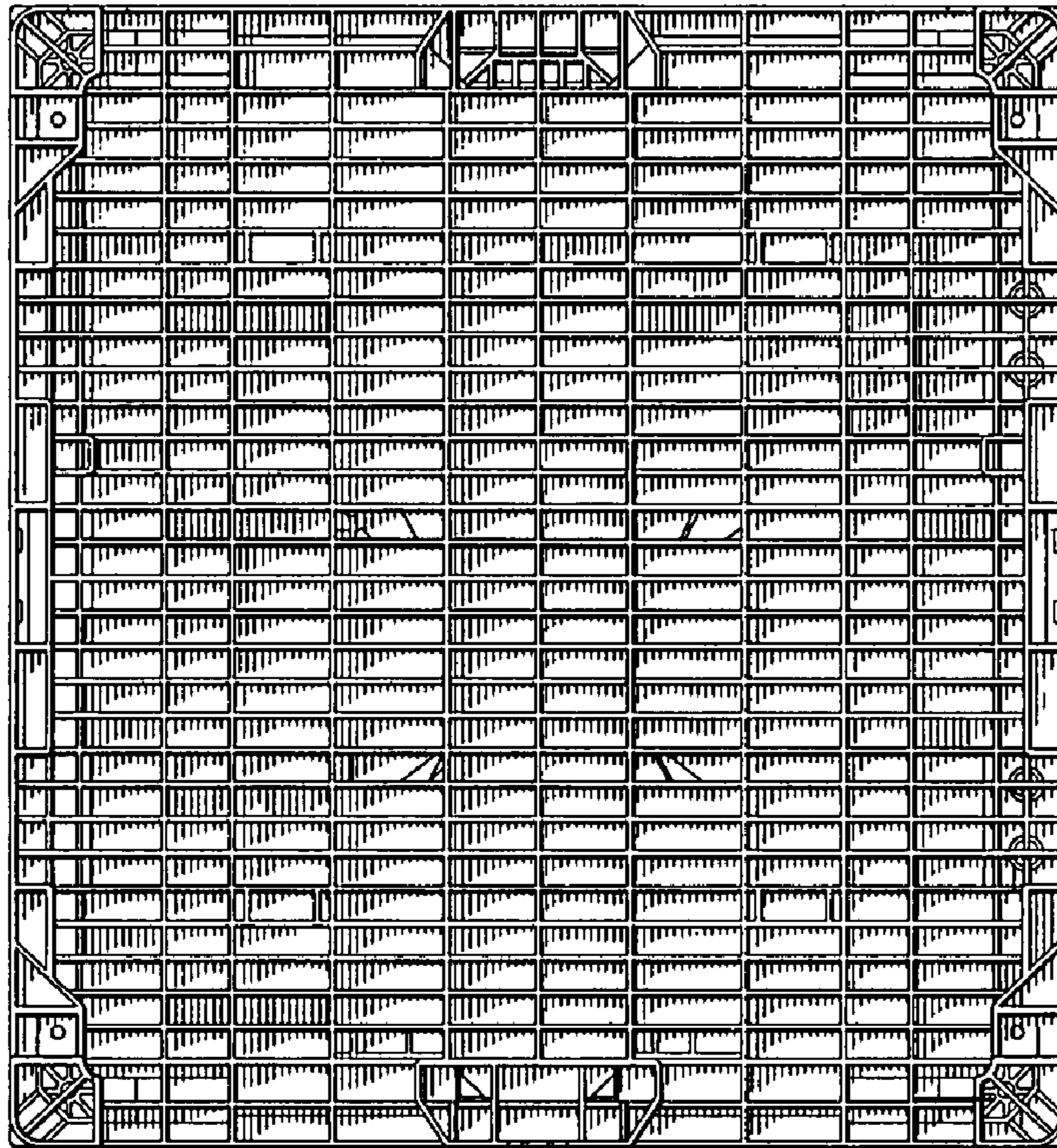


FIG. 3

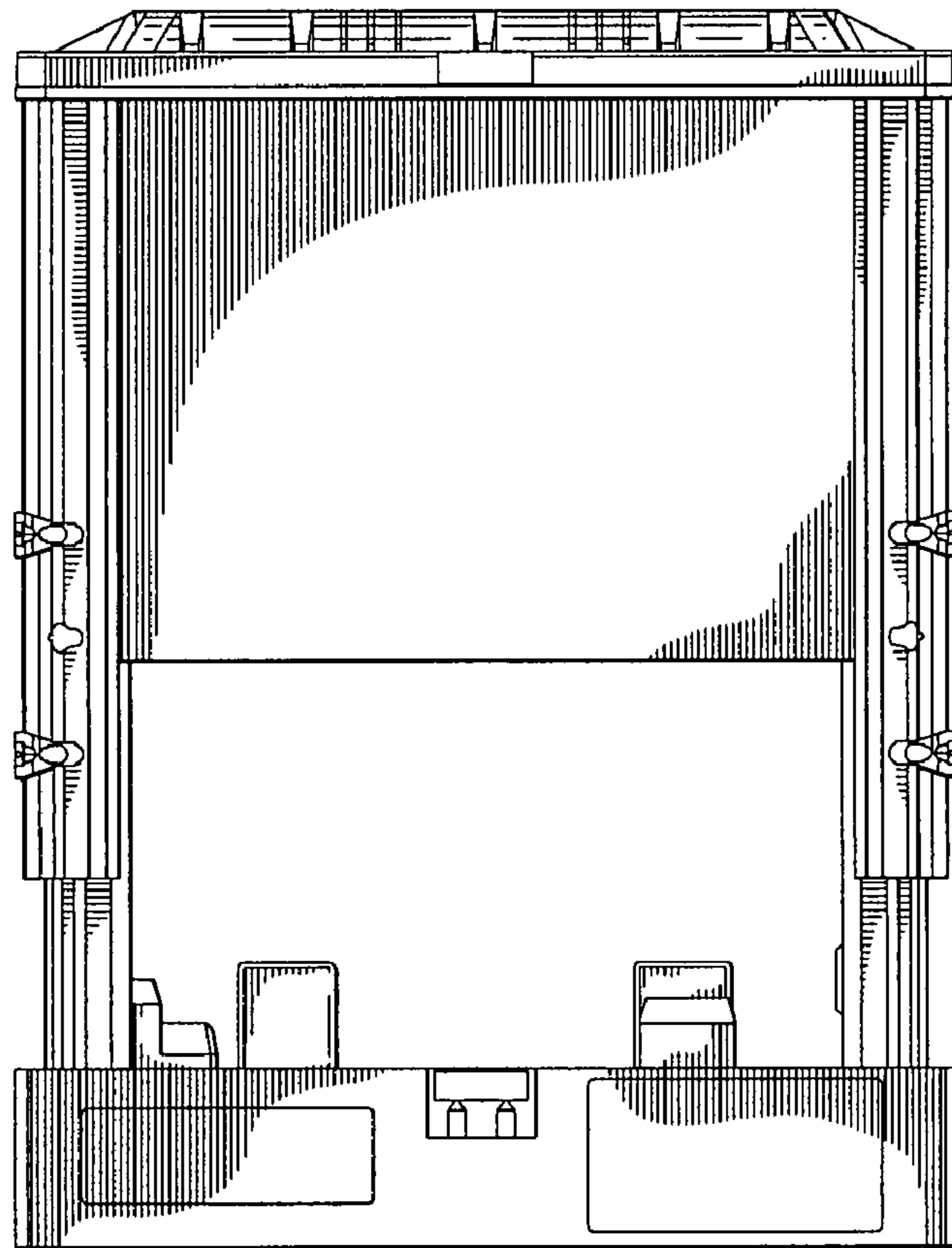


FIG.4

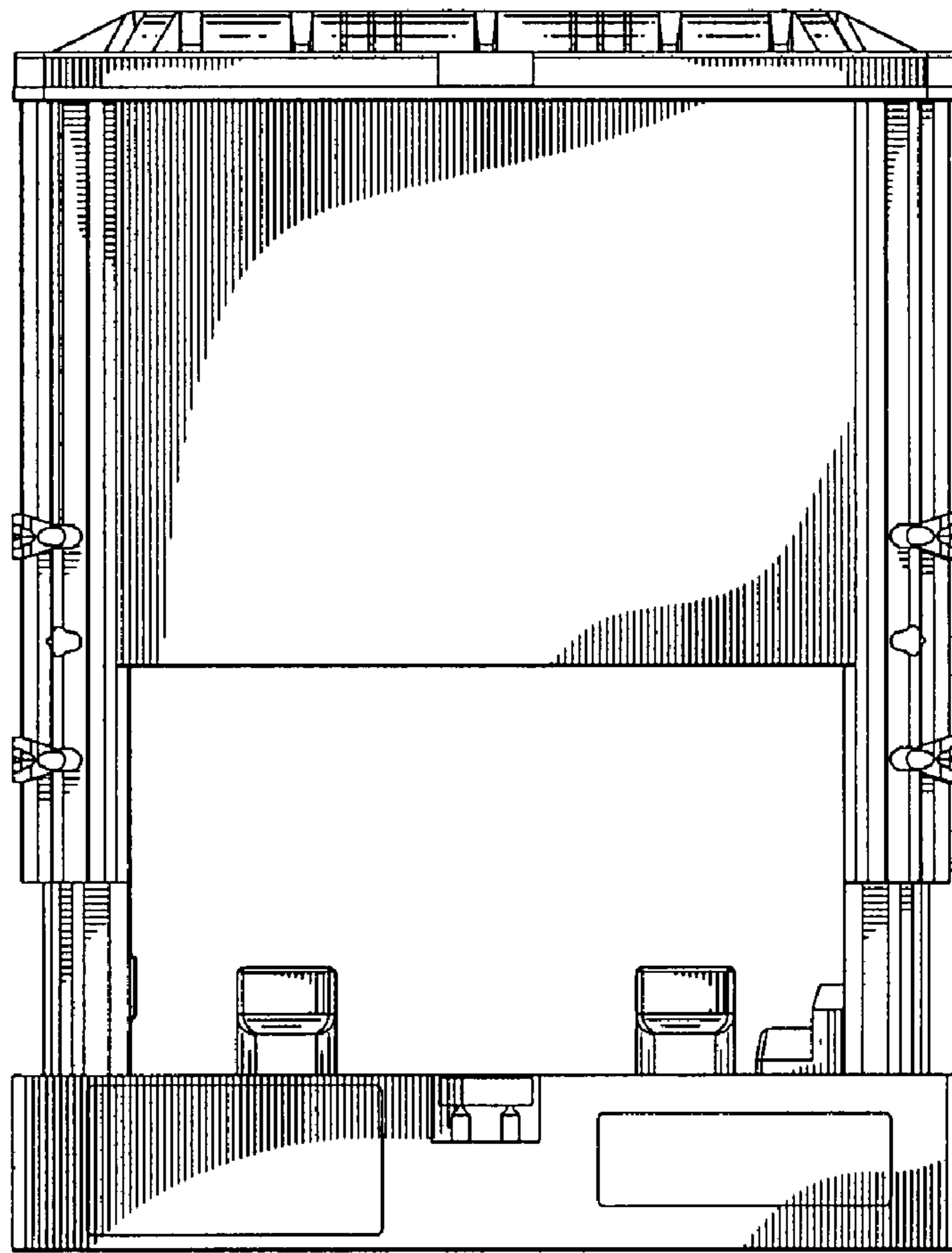


FIG. 5

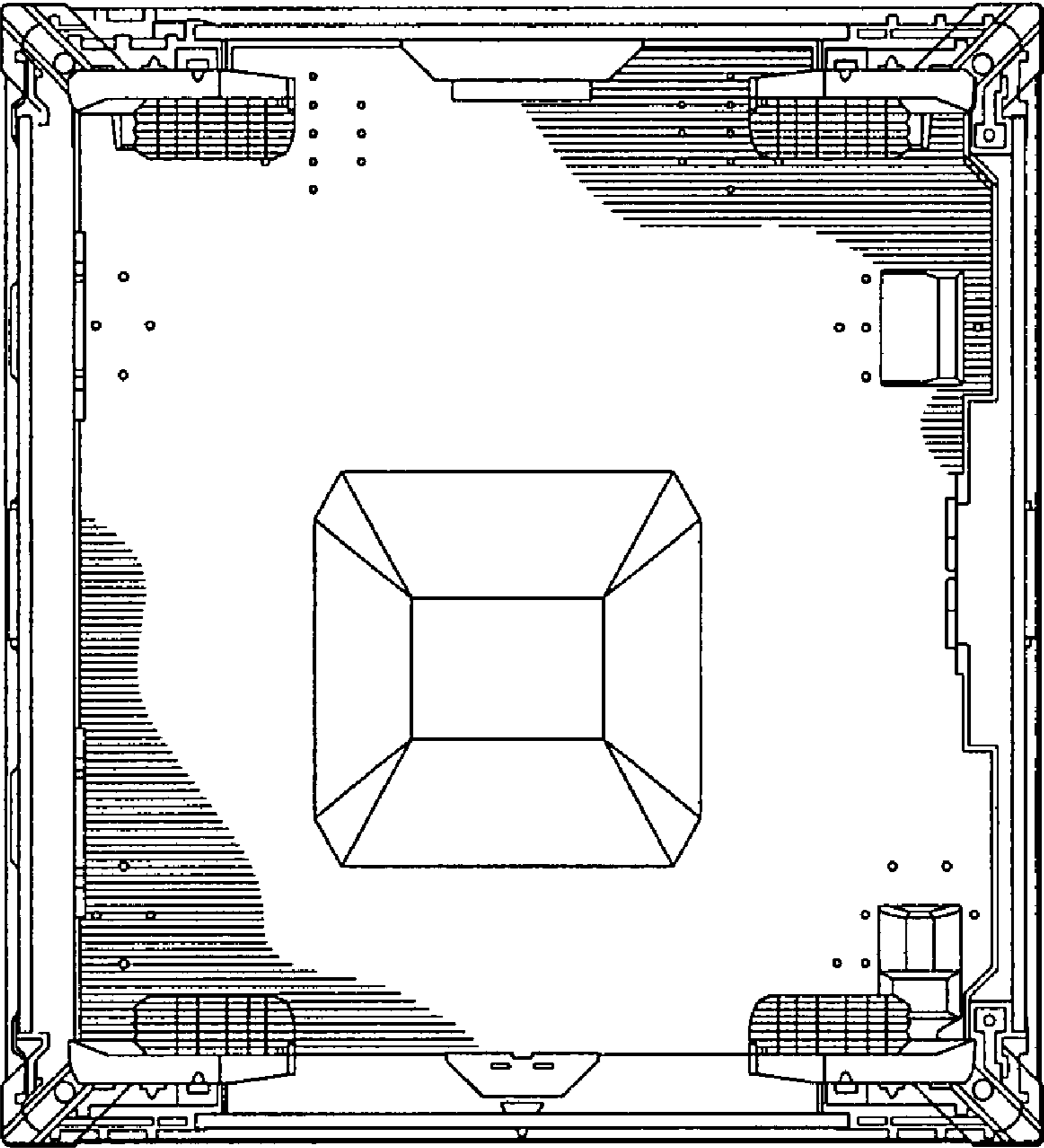


FIG. 6

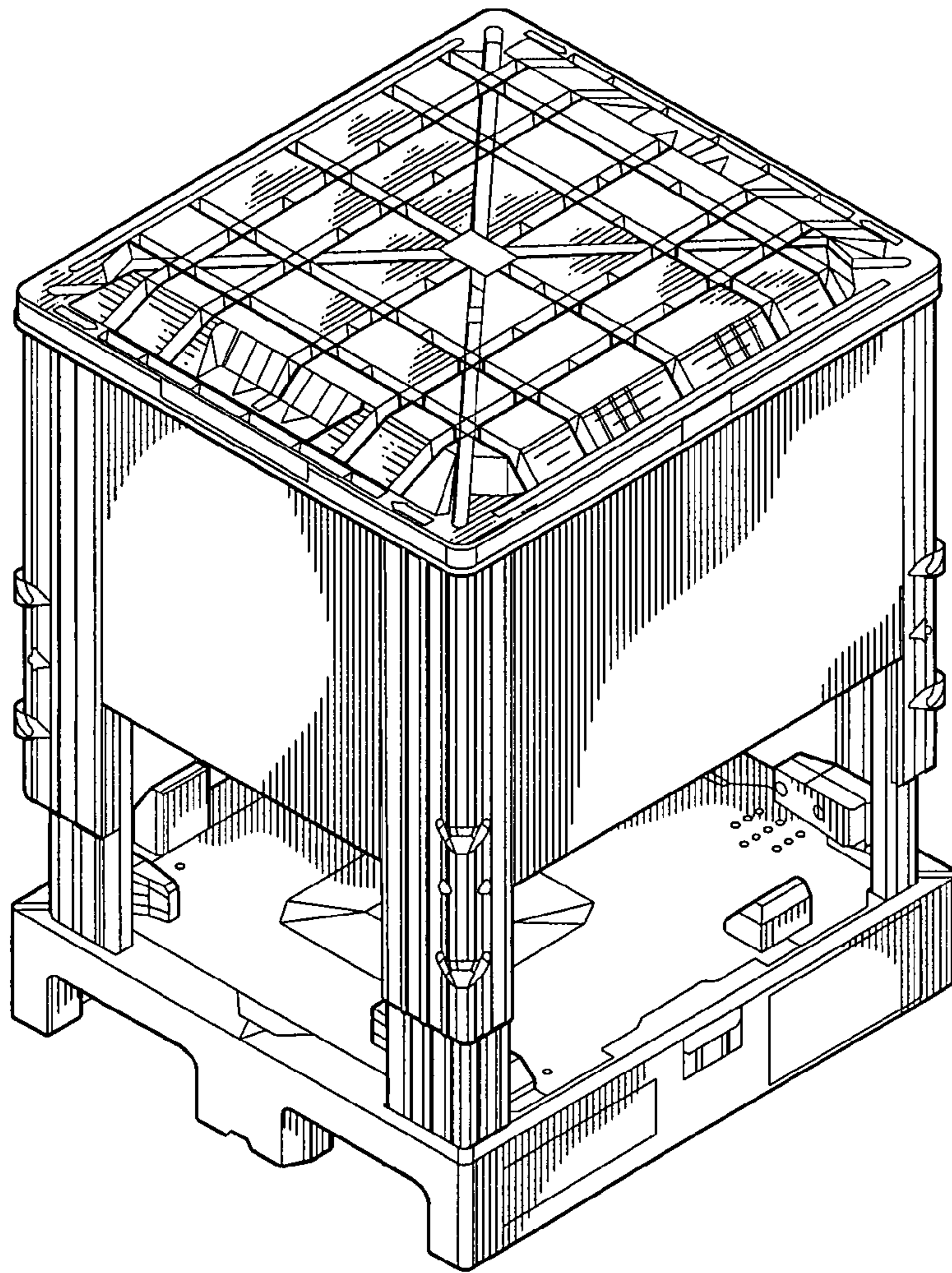


FIG. 7