

US00D544673S

(12) **United States Design Patent**  
**Quinlan, Jr. et al.**

(10) **Patent No.: US D544,673 S**

(45) **Date of Patent: \*\* Jun. 12, 2007**

(54) **STAND-UP COUNTERBALANCE LIFT TRUCK**

6,236,927 B1 5/2001 Sherman

**OTHER PUBLICATIONS**

(75) Inventors: **Roger J. Quinlan, Jr.**, Troy, OH (US);  
**Craig J. Rekow**, Troy, OH (US);  
**Michael P. Gallagher**, Greenville, OH (US)

Crown specification brochure No. SF12386 Rev. Jan. 2004 entitled Crown RC 3000 Series Stand-up Rider Lift Truck, U.S.A.

\* cited by examiner

(73) Assignee: **Crown Equipment Corporation**, New Bremen, OH (US)

*Primary Examiner*—Cynthia E. Ramirez

(74) *Attorney, Agent, or Firm*—Stevens & Showalter LLP

(\*\*) Term: **14 Years**

(57) **CLAIM**

(21) Appl. No.: **29/257,833**

The ornamental design for a stand-up counterbalance lift truck, as shown and described.

(22) Filed: **Apr. 11, 2006**

**DESCRIPTION**

(51) **LOC (8) Cl.** ..... **12-05**

(52) **U.S. Cl.** ..... **D34/34**

(58) **Field of Classification Search** ..... D34/34;  
414/785; 187/222, 237, 238; 180/89.12, 89.13,  
180/89.17

See application file for complete search history.

FIG. 1 is a perspective view of a stand-up counterbalance lift truck as seen from the top, rear and left sides of the truck showing our new design;

FIG. 2 is a perspective view seen from the top, rear and left sides thereof;

FIG. 3 is a perspective view seen from the top, front and right sides thereof;

FIG. 4 is an elevational view seen from the front thereof;

FIG. 5 is an elevational view seen from the rear thereof;

FIG. 6 is an elevational view seen from the right side thereof;

FIG. 7 is an elevational view seen from the left side thereof; and,

FIG. 8 is a plan view seen from the top thereof.

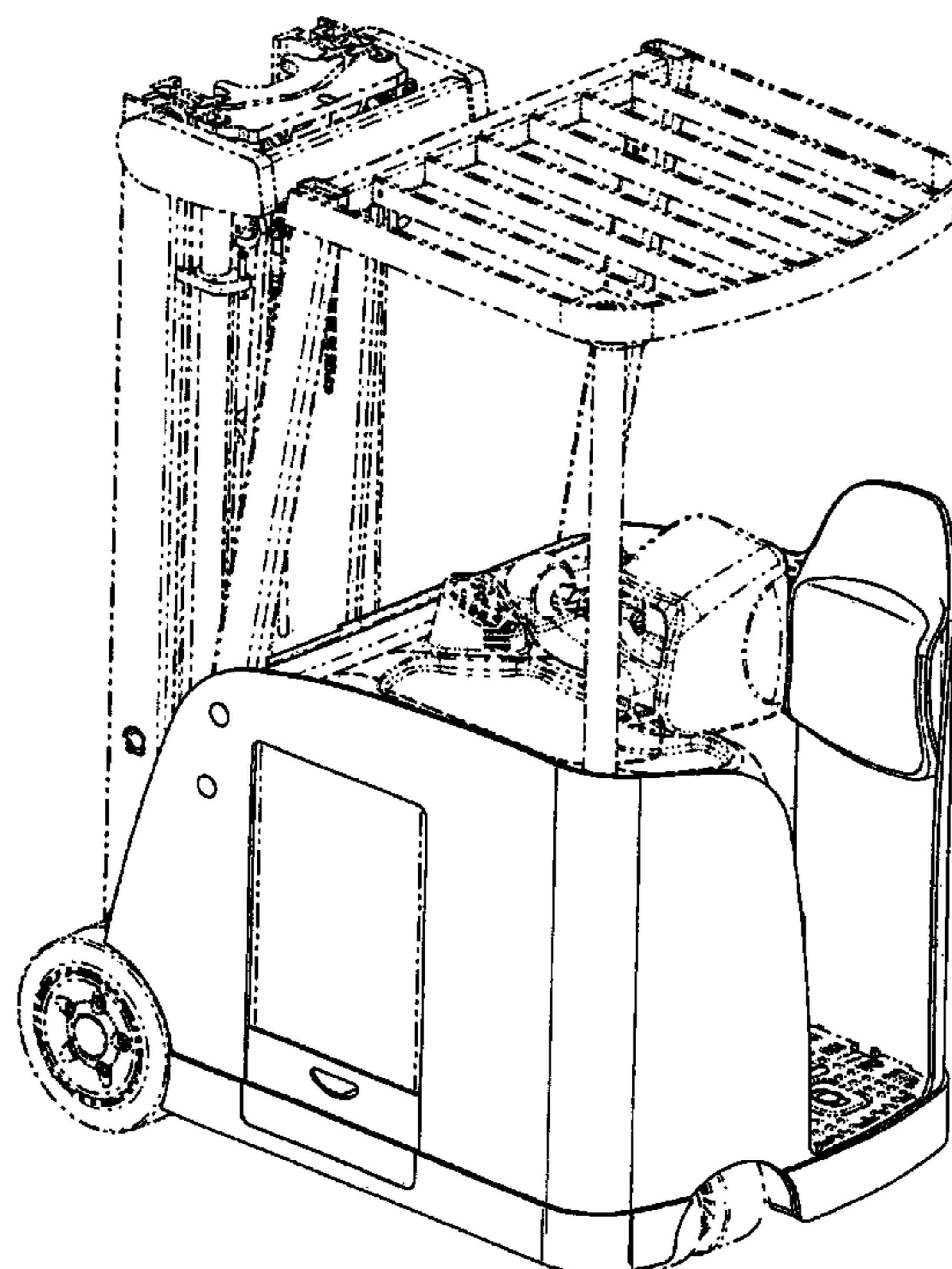
The broken line showing of some elements in FIG. 1 is included for the purpose of illustrating environment and forms no part of the claimed design.

(56) **References Cited**

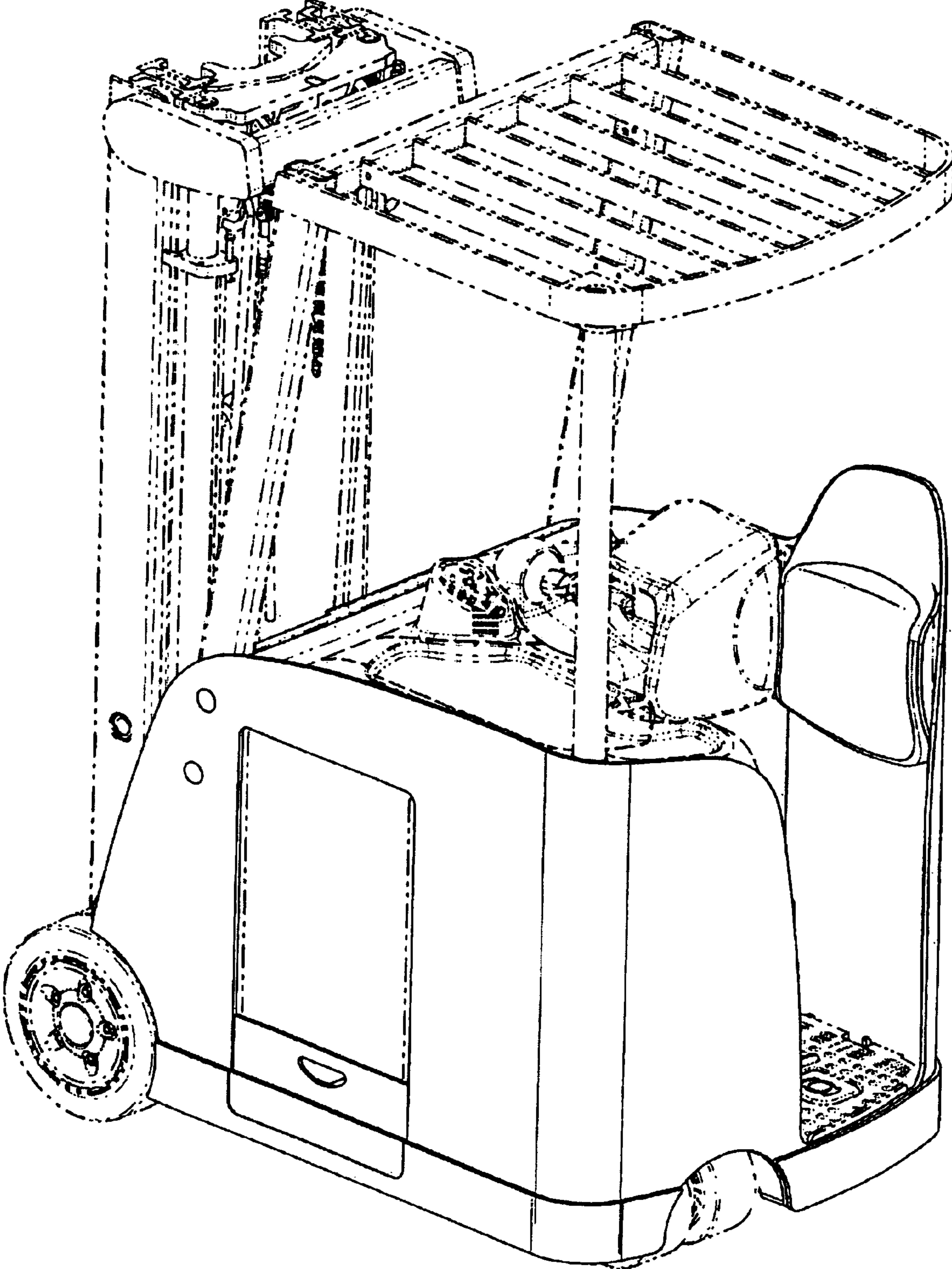
**U.S. PATENT DOCUMENTS**

D222,694 S	*	12/1971	Goodacre	.....	D34/34
5,297,645 A	*	3/1994	Eckersley et al.	.....	180/68.5
D358,925 S	*	5/1995	Chung et al.	.....	D34/34
D379,020 S	*	4/1997	Avitan	.....	D34/34
D407,176 S		3/1999	Henshaw et al.		
D407,177 S		3/1999	Henshaw et al.		
6,089,353 A	*	7/2000	Bartels et al.	.....	187/224
6,137,398 A		10/2000	Dunlap et al.		
6,182,778 B1		2/2001	Henshaw et al.		
6,182,797 B1		2/2001	Tebbe et al.		

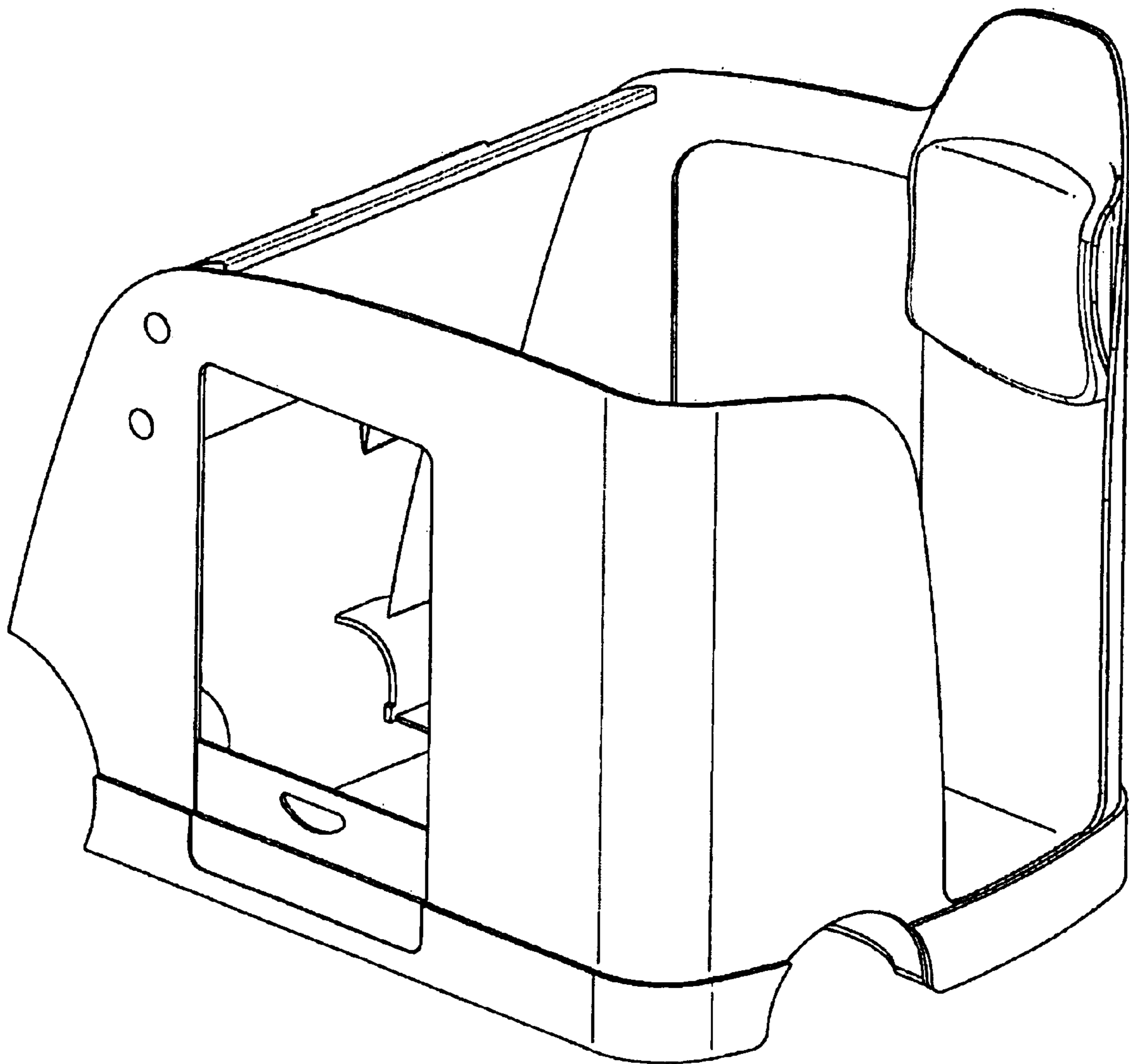
**1 Claim, 8 Drawing Sheets**



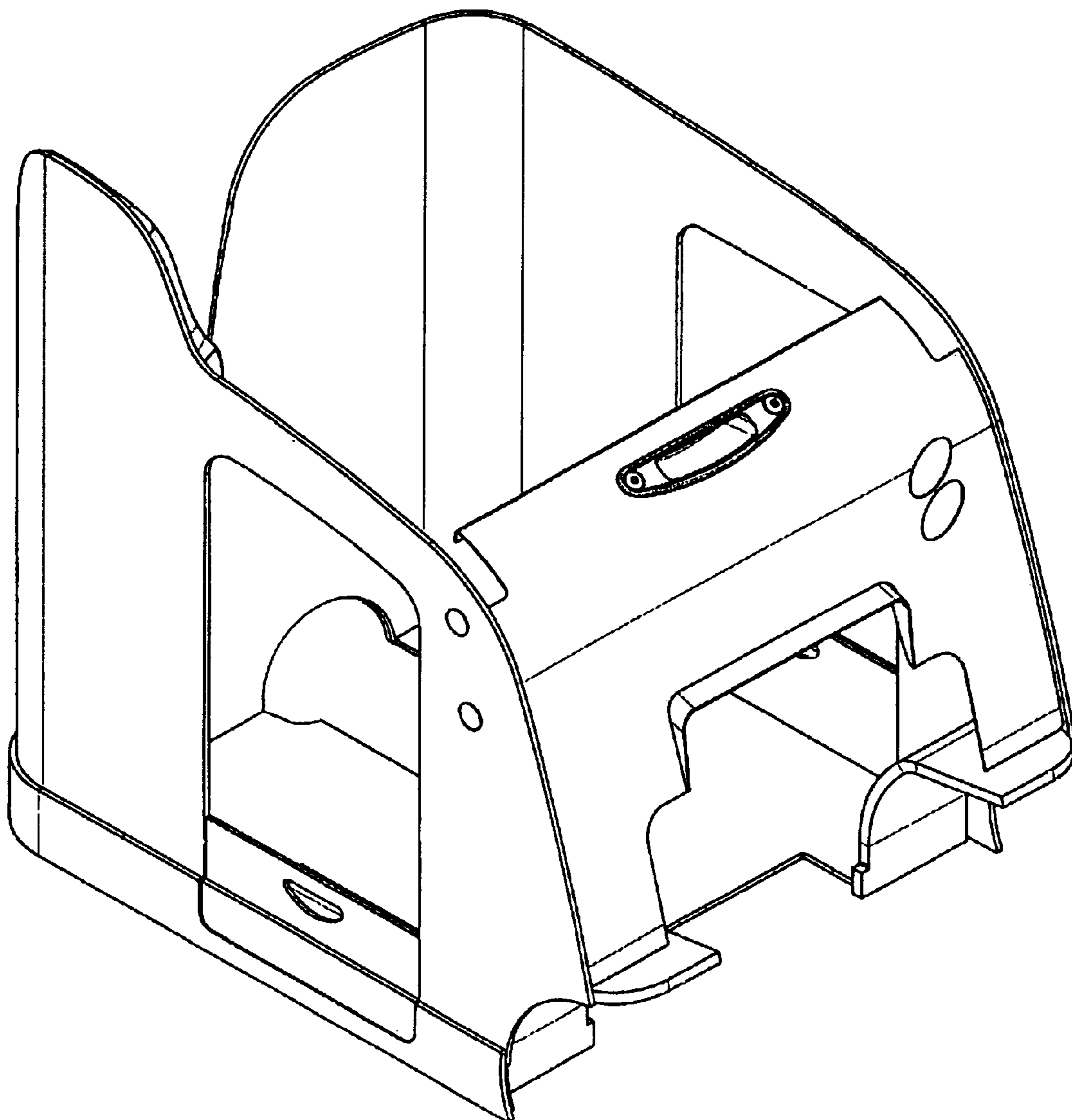
**FIG. 1**



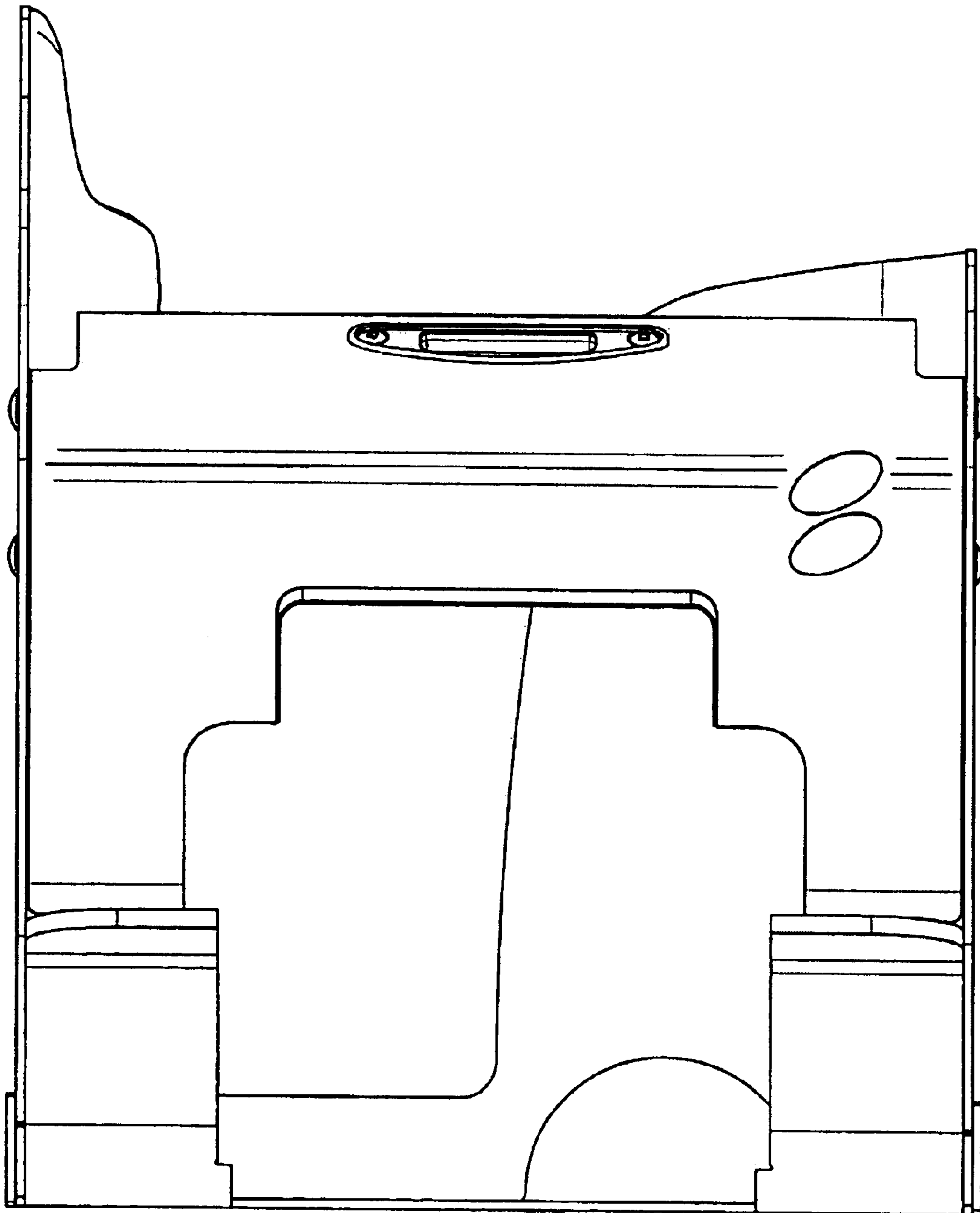
**FIG. 2**



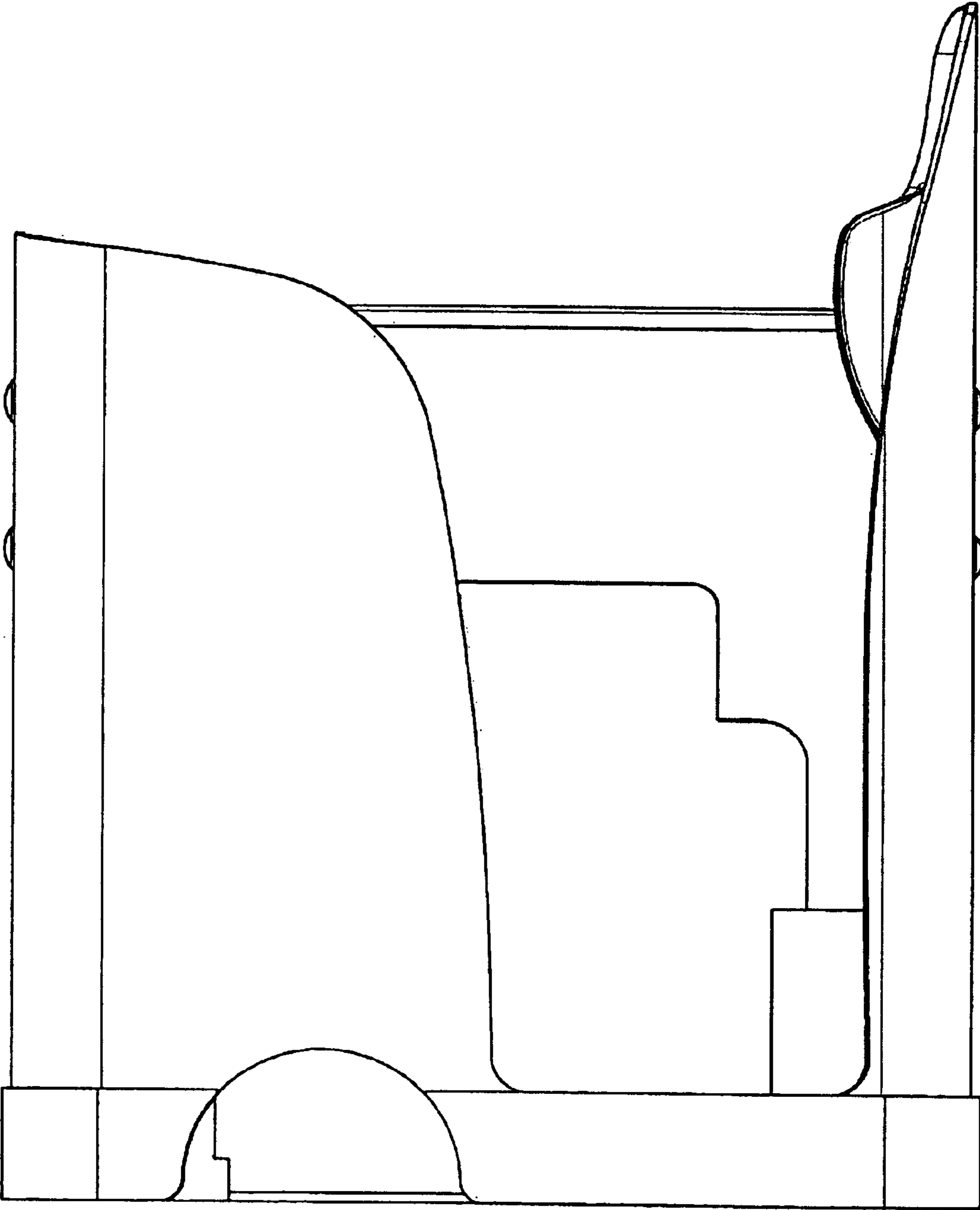
**FIG. 3**



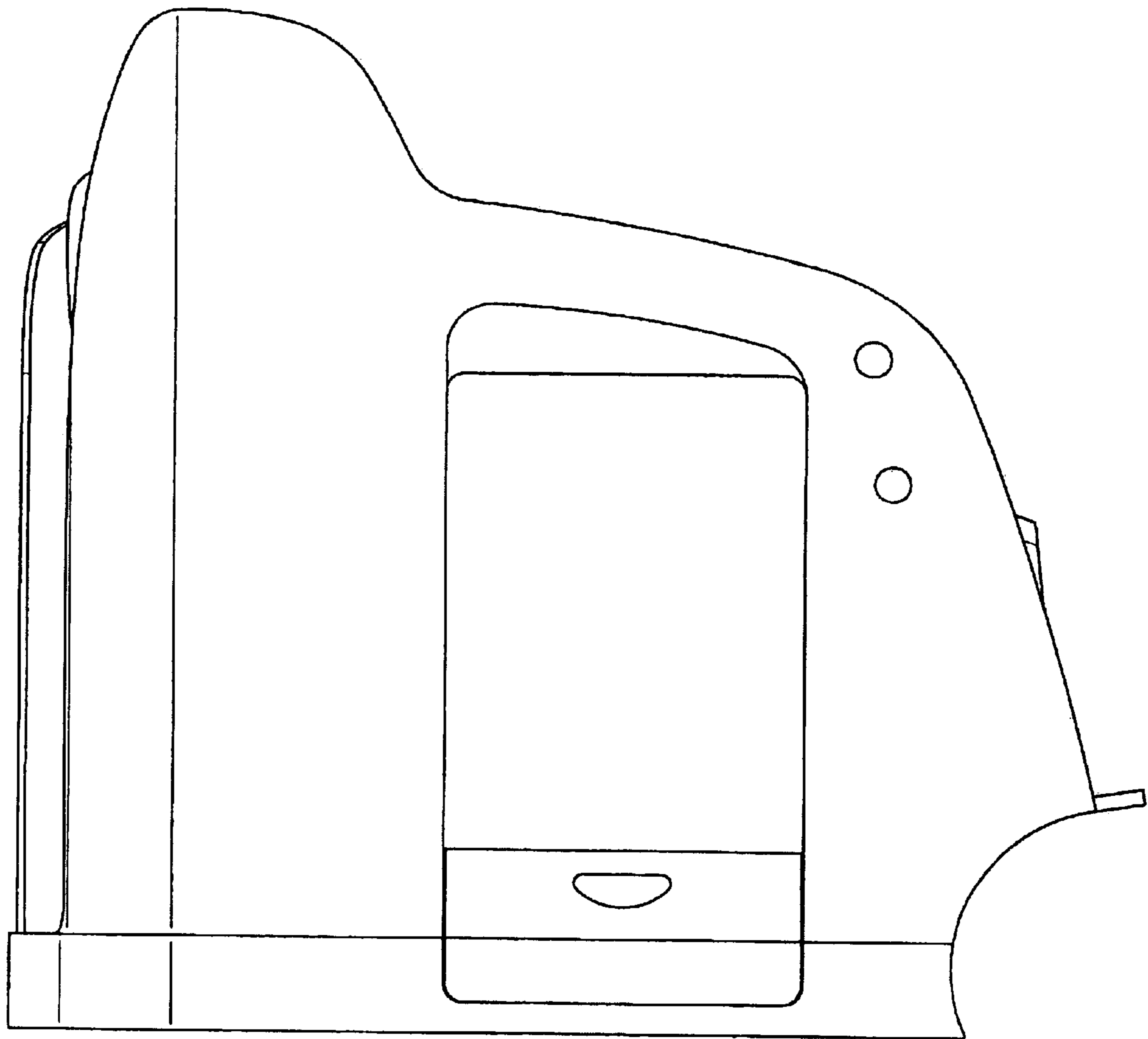
**FIG. 4**



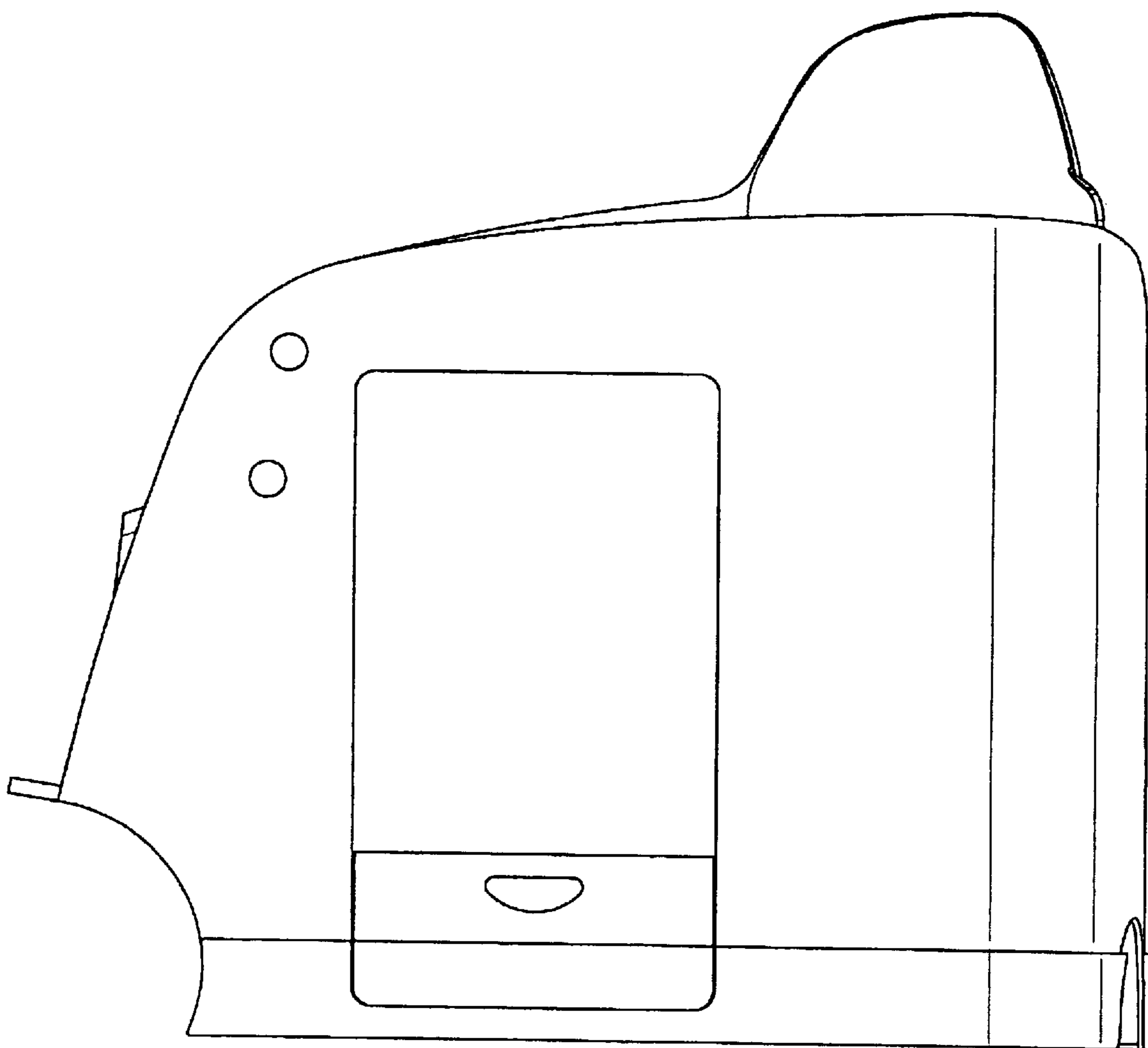
**FIG. 5**



**FIG. 6**



**FIG. 7**





**FIG. 8**

