



US00D544672S

(12) **United States Design Patent**
Decker, Jr.

(10) **Patent No.:** **US D544,672 S**
(45) **Date of Patent:** **** Jun. 12, 2007**

(54) **VEHICLE LEVELING DEVICE**
(75) Inventor: **Daniel L. Decker, Jr.**, Castle Rock, CO (US)
(73) Assignee: **B & D Manufacturing, Inc.**, Sedalia, CO (US)

6,456,194 B1 9/2002 Carlson
6,526,668 B1 3/2003 Beckhart
6,836,972 B2 1/2005 Prahos
7,040,603 B1 * 5/2006 Tai 254/88
2004/0256815 A1 12/2004 Eichhorn

(**) Term: **14 Years**

FOREIGN PATENT DOCUMENTS

DE 4336922 5/1995
EP 0430813 6/1991

(21) Appl. No.: **29/246,567**

* cited by examiner

(22) Filed: **Apr. 24, 2006**

Primary Examiner—Cynthia E. Ramirez
(74) *Attorney, Agent, or Firm*—Sheridan Ross P.C.

(51) **LOC (8) Cl.** **12-05**

(52) **U.S. Cl.** **D34/32**

(58) **Field of Classification Search** D34/32,
D34/28, 33; 254/88, 1 R; 248/352; 152/208,
152/213 R

(57) **CLAIM**

See application file for complete search history.

The ornamental design for a vehicle leveling device, as shown and described.

DESCRIPTION

(56) **References Cited**

FIG. 1 is a top perspective view of a vehicle leveling device showing my new design;

U.S. PATENT DOCUMENTS

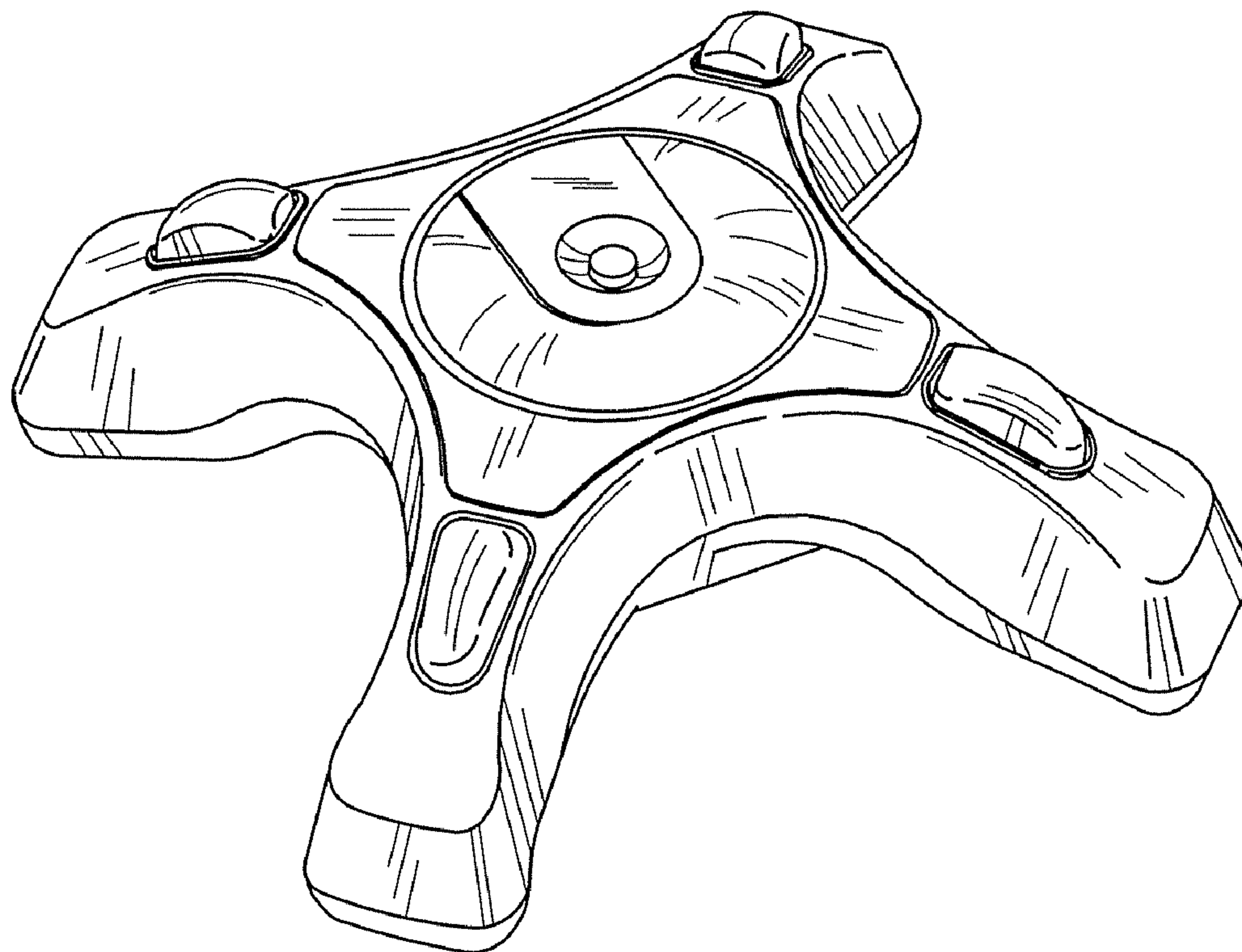
FIG. 2 is a front elevation view of the design illustrated in FIG. 1, the rear elevation, left elevation and right elevation views being identical thereto;

5,046,587 A * 9/1991 Jones 188/32
5,136,784 A 8/1992 Marantz
5,159,761 A 11/1992 Cagan
5,458,315 A * 10/1995 Blatz et al. 254/88
5,488,779 A 2/1996 Schultheis
5,610,575 A 3/1997 Gioutsos
5,956,260 A 9/1999 Heger
6,002,974 A 12/1999 Schifferan
D444,286 S * 6/2001 Ahne D34/32
6,268,794 B1 7/2001 Tzanev

FIG. 3 is a top plan view of the design illustrated in FIG. 1; and,

FIG. 4 is a bottom perspective view of the design illustrated in FIG. 1.

1 Claim, 2 Drawing Sheets



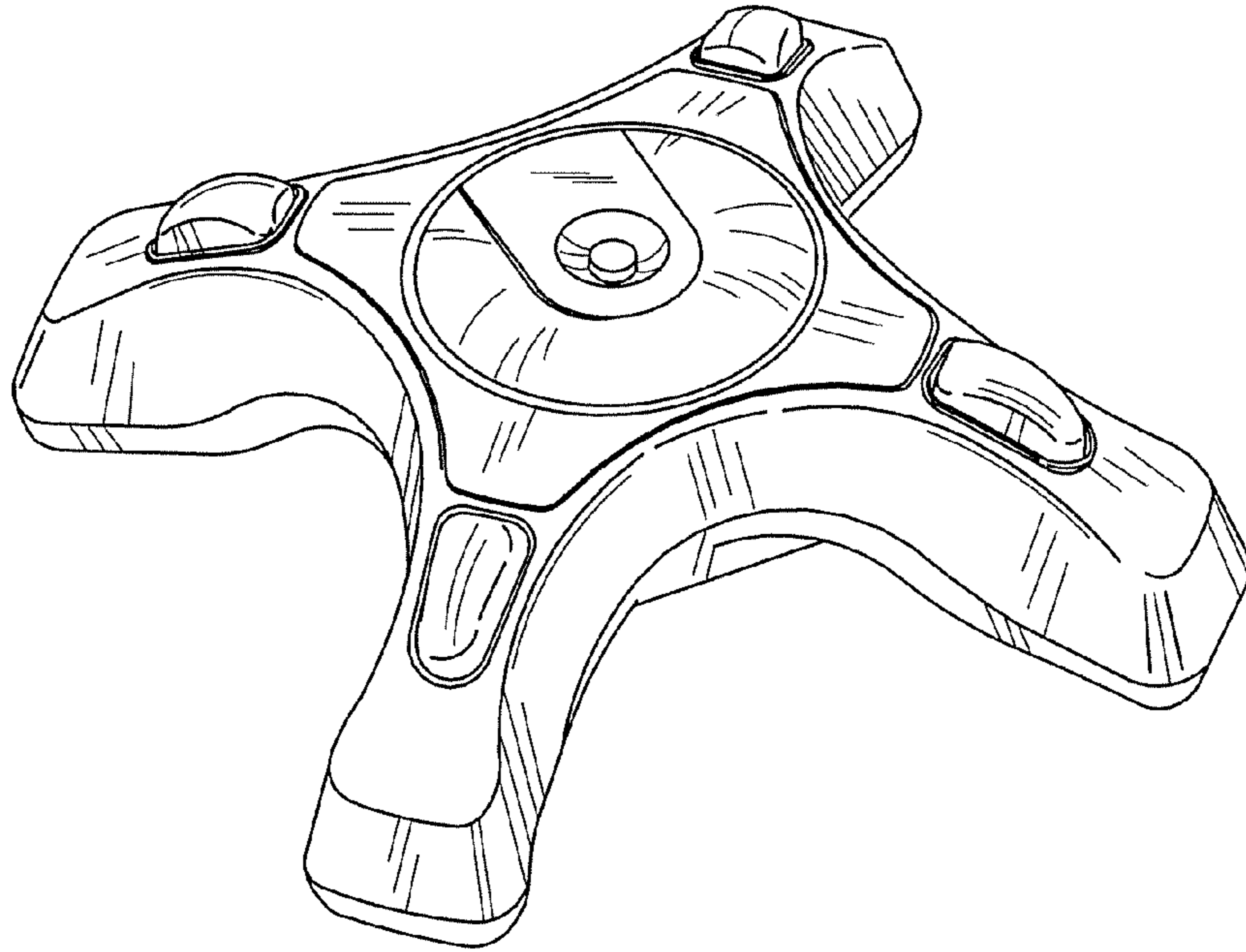


Fig. 1

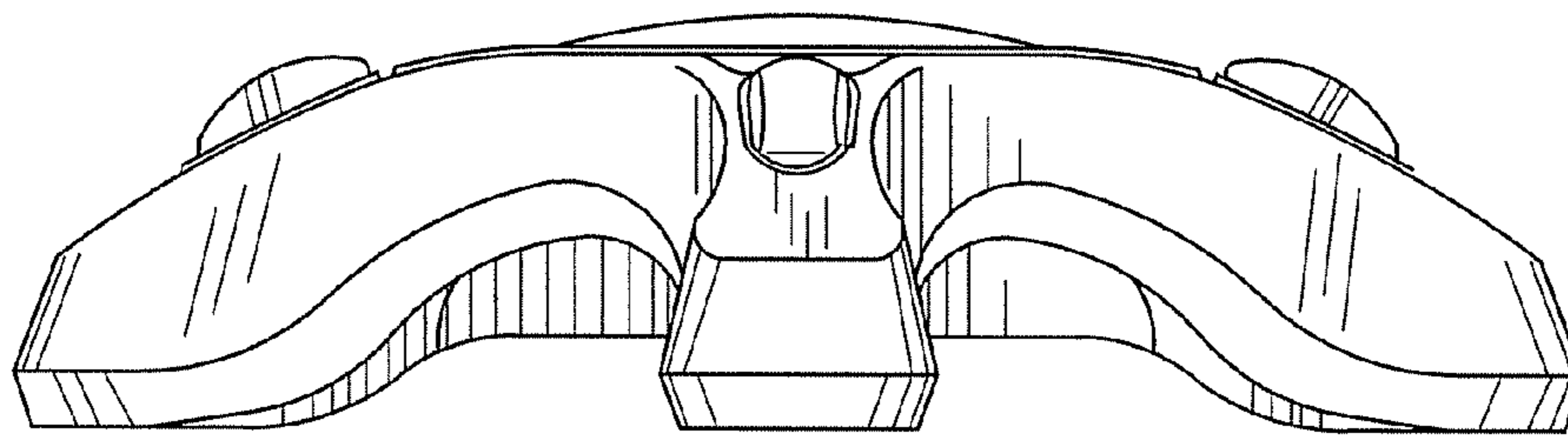


Fig. 2

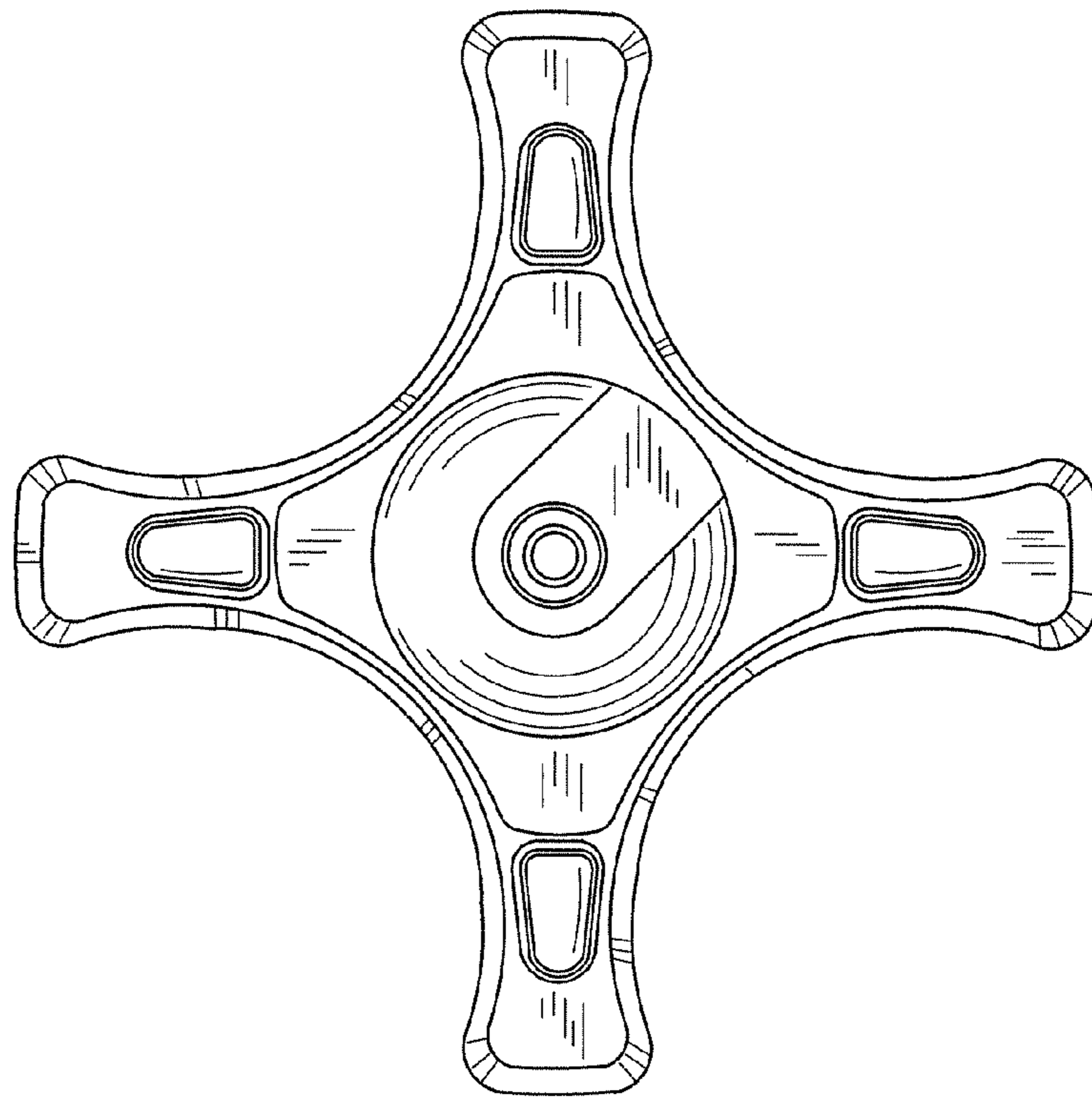


Fig. 3

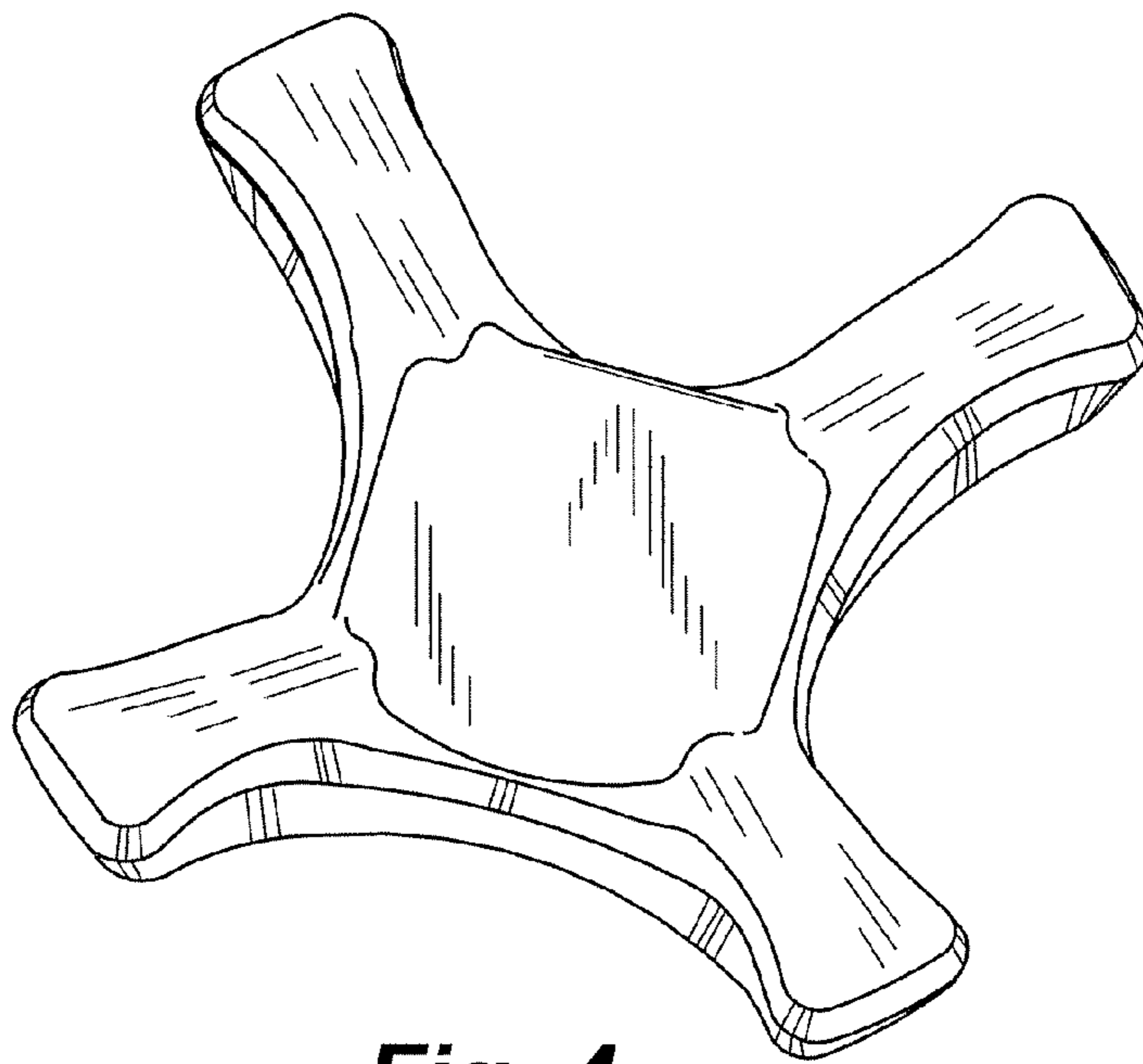


Fig. 4