



US00D544669S

(12) **United States Design Patent**
Casteel et al.

(10) **Patent No.:** **US D544,669 S**
(45) **Date of Patent:** **** Jun. 12, 2007**

(54) **HOUSEHOLD BUCKET**

(75) Inventors: **Steve Casteel**, Wooster, OH (US);
Michael Jackson, Wooster, OH (US);
Randy C. Cox, Greenville, NC (US)

(73) Assignee: **Harper Brush Works, Inc.**, Fairfield, IA (US)

(**) Term: **14 Years**

(21) Appl. No.: **29/267,833**

(22) Filed: **Oct. 23, 2006**

(51) **LOC (8) Cl.** **07-07**

(52) **U.S. Cl.** **D32/53**

(58) **Field of Classification Search** D32/53,
D32/53.1, 54; 206/505-507; 220/694-702,
220/735, 773-774, 776; 15/264-265, 257.05,
15/257.06

See application file for complete search history.

(56) **References Cited**

U.S. PATENT DOCUMENTS

2,988,767 A * 6/1961 Tretwold et al. 15/257.06

D353,241 S * 12/1994 Breen D32/53
D466,407 S * 12/2002 Nance D9/424
D477,702 S * 7/2003 Kohn D32/53.1
6,866,172 B2 * 3/2005 Shackelford 224/148.4

* cited by examiner

Primary Examiner—Pamela J. Burgess

(74) *Attorney, Agent, or Firm*—Welsh & Katz, Ltd.

(57) **CLAIM**

The ornamental design for a household bucket, as shown and described.

DESCRIPTION

FIG. 1 is a top perspective view of a household bucket showing our new design;

FIG. 2 is a front elevational view thereof;

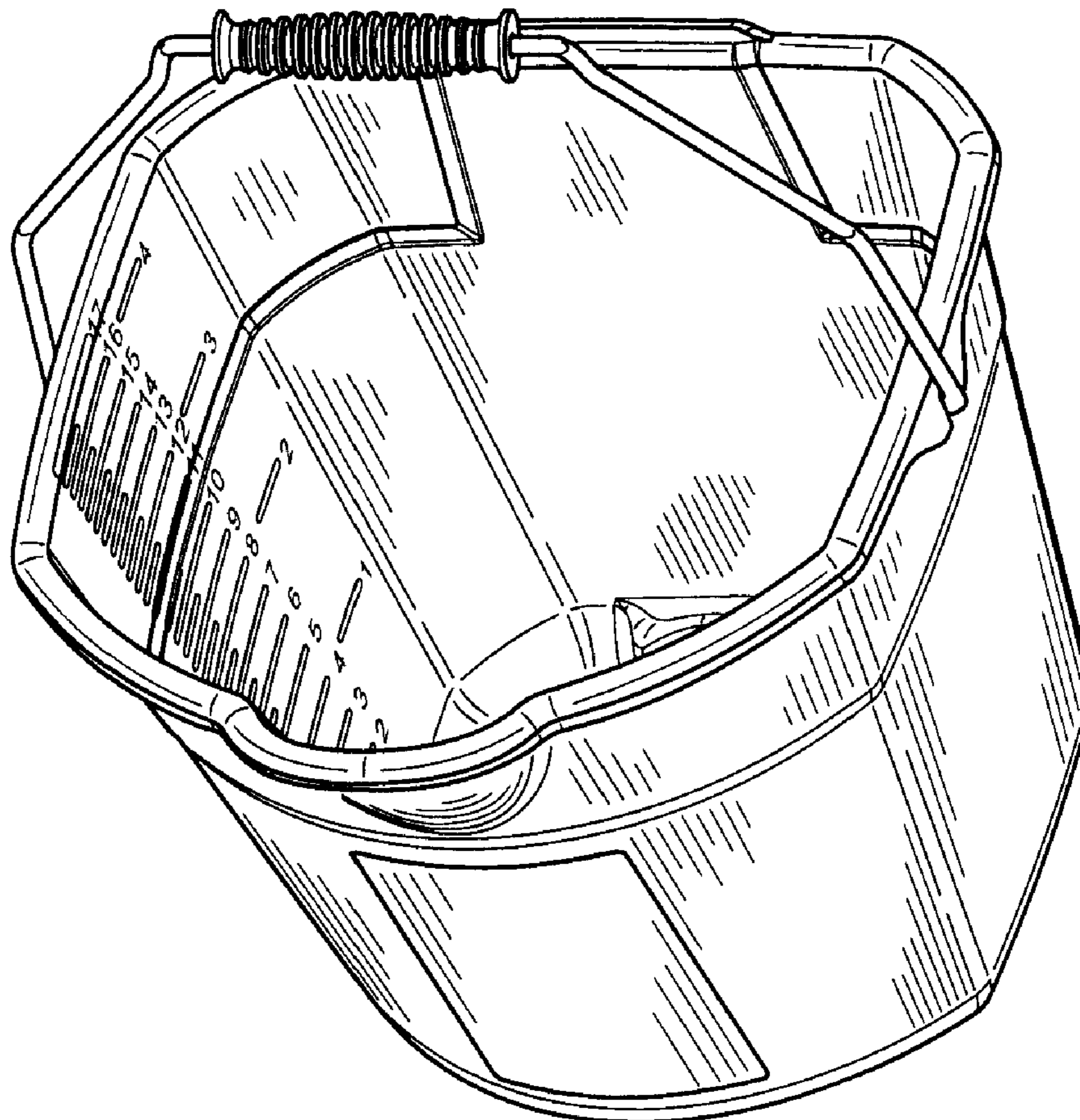
FIG. 3 is a rear elevational view thereof;

FIG. 4 is a side elevational view thereof;

FIG. 5 is a top plan view thereof; and,

FIG. 6 is a bottom plan view thereof.

1 Claim, 2 Drawing Sheets



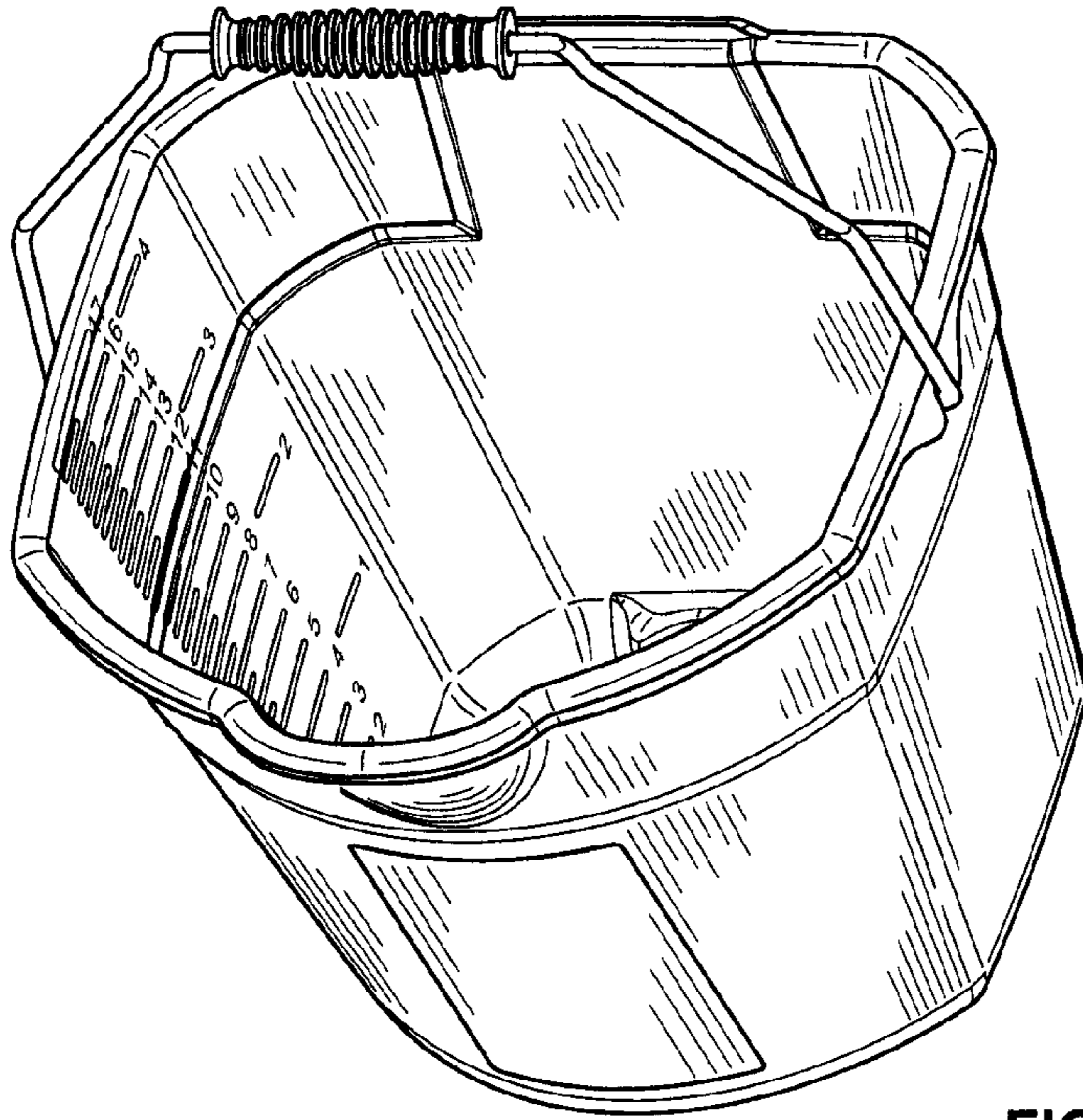


FIG. 1

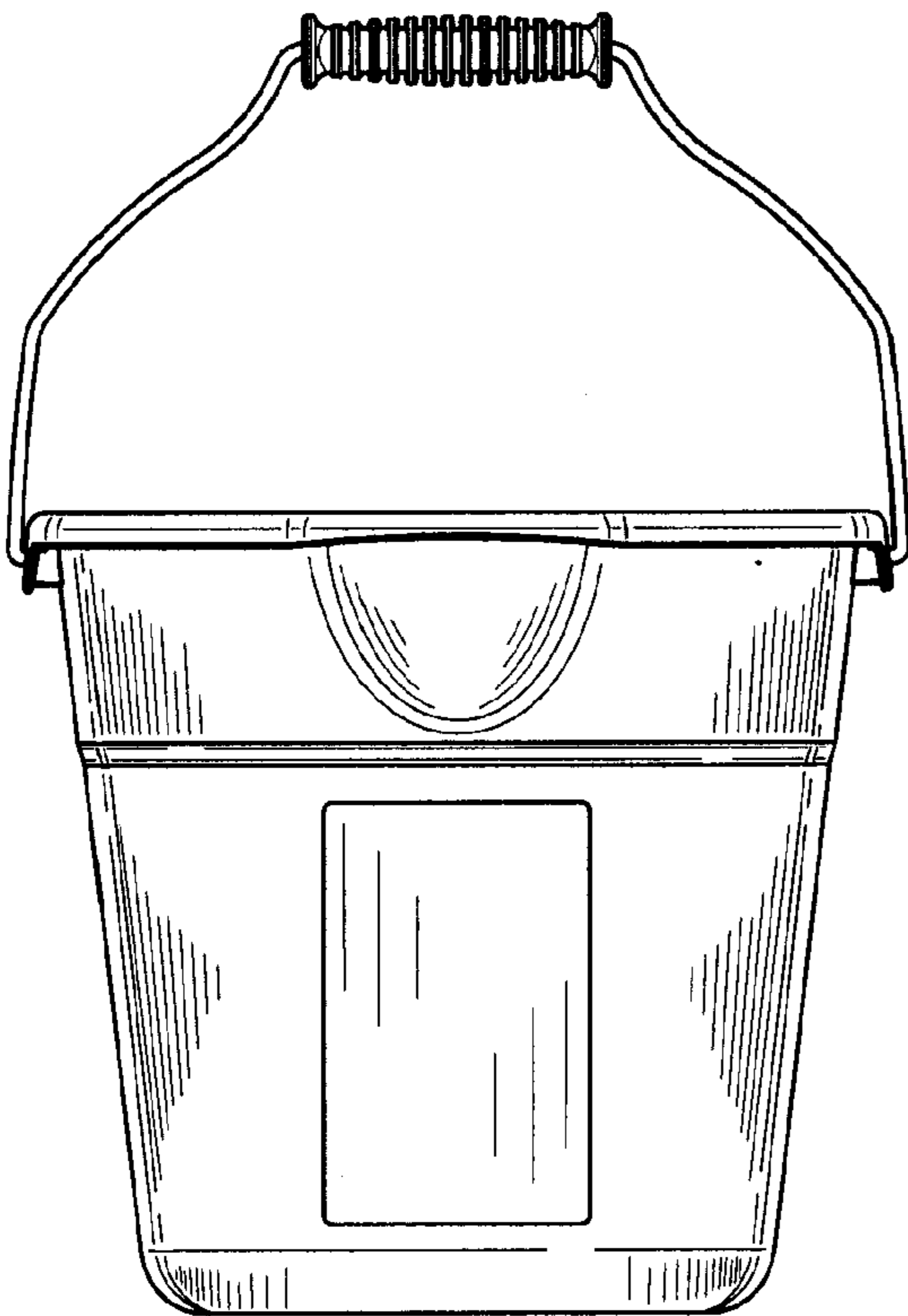


FIG. 2

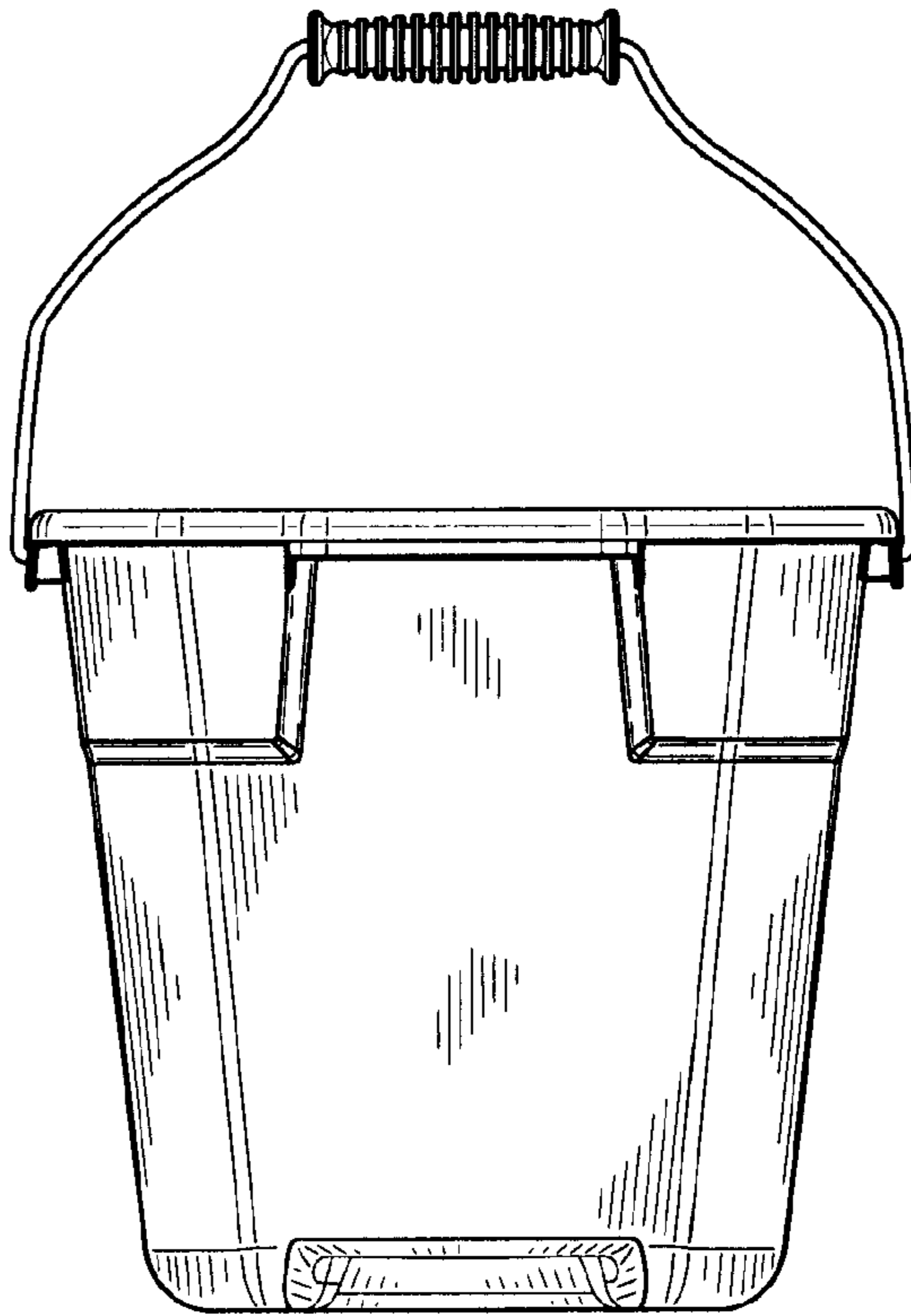


FIG. 3

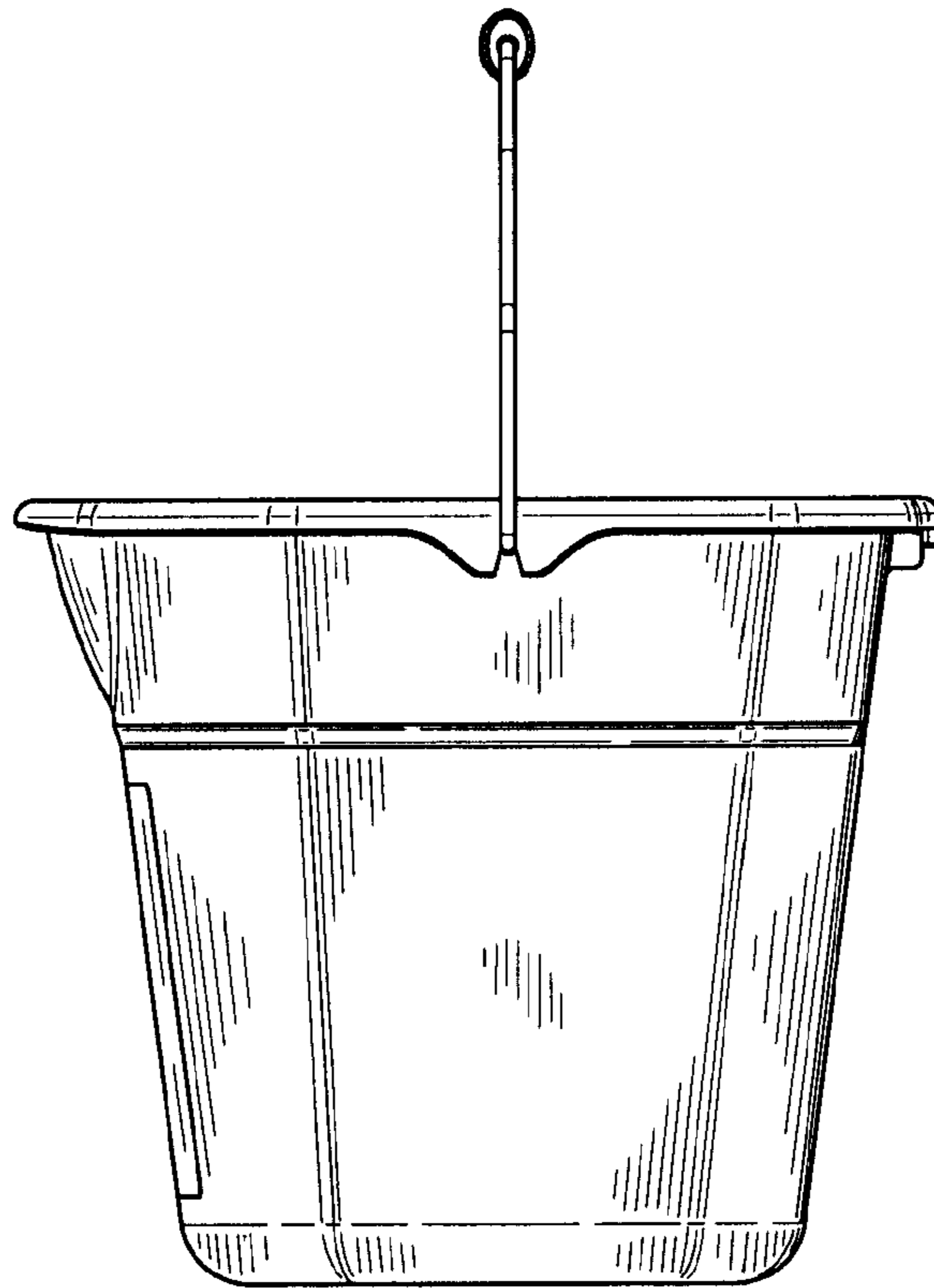


FIG. 4

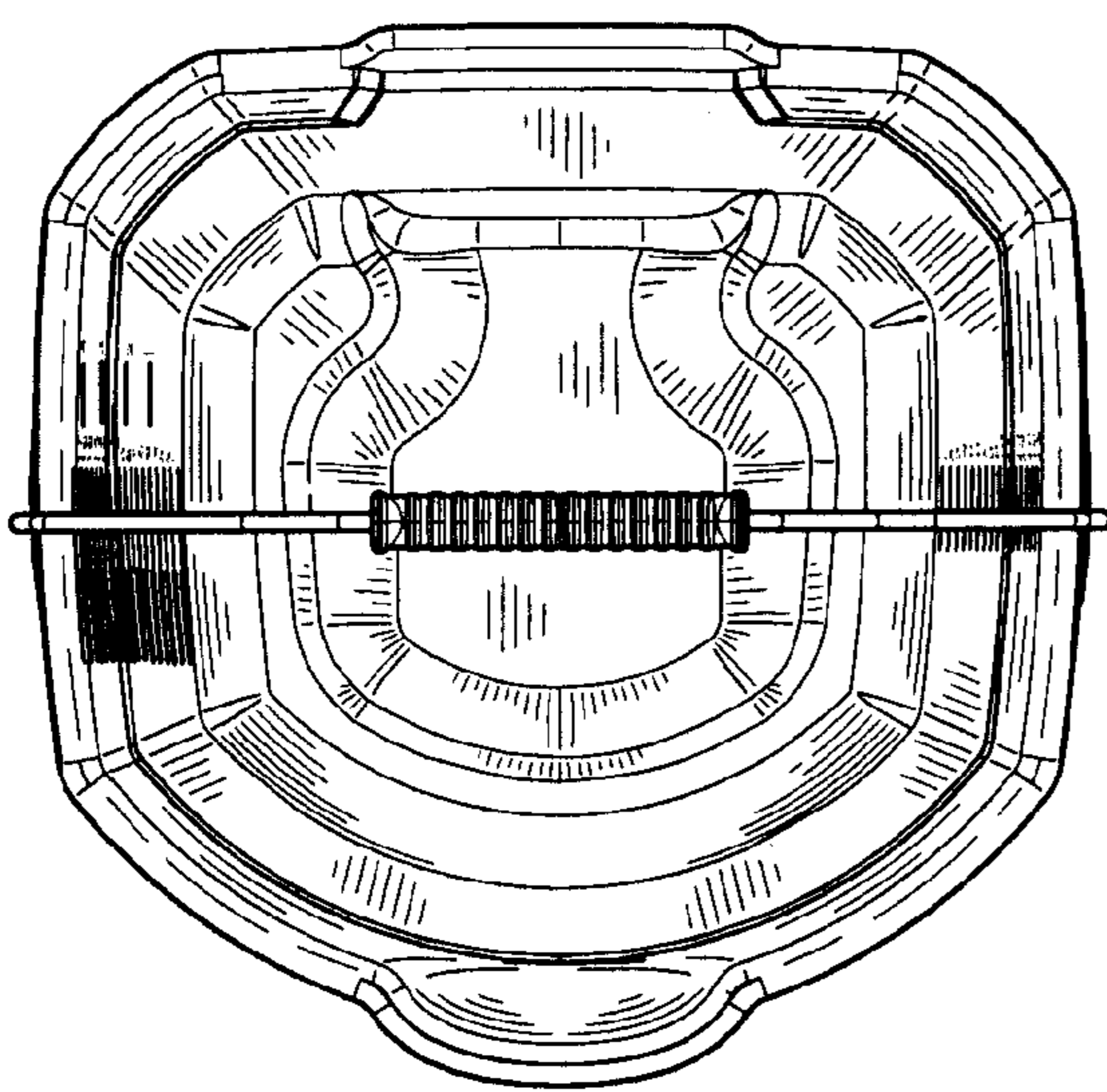


FIG. 5

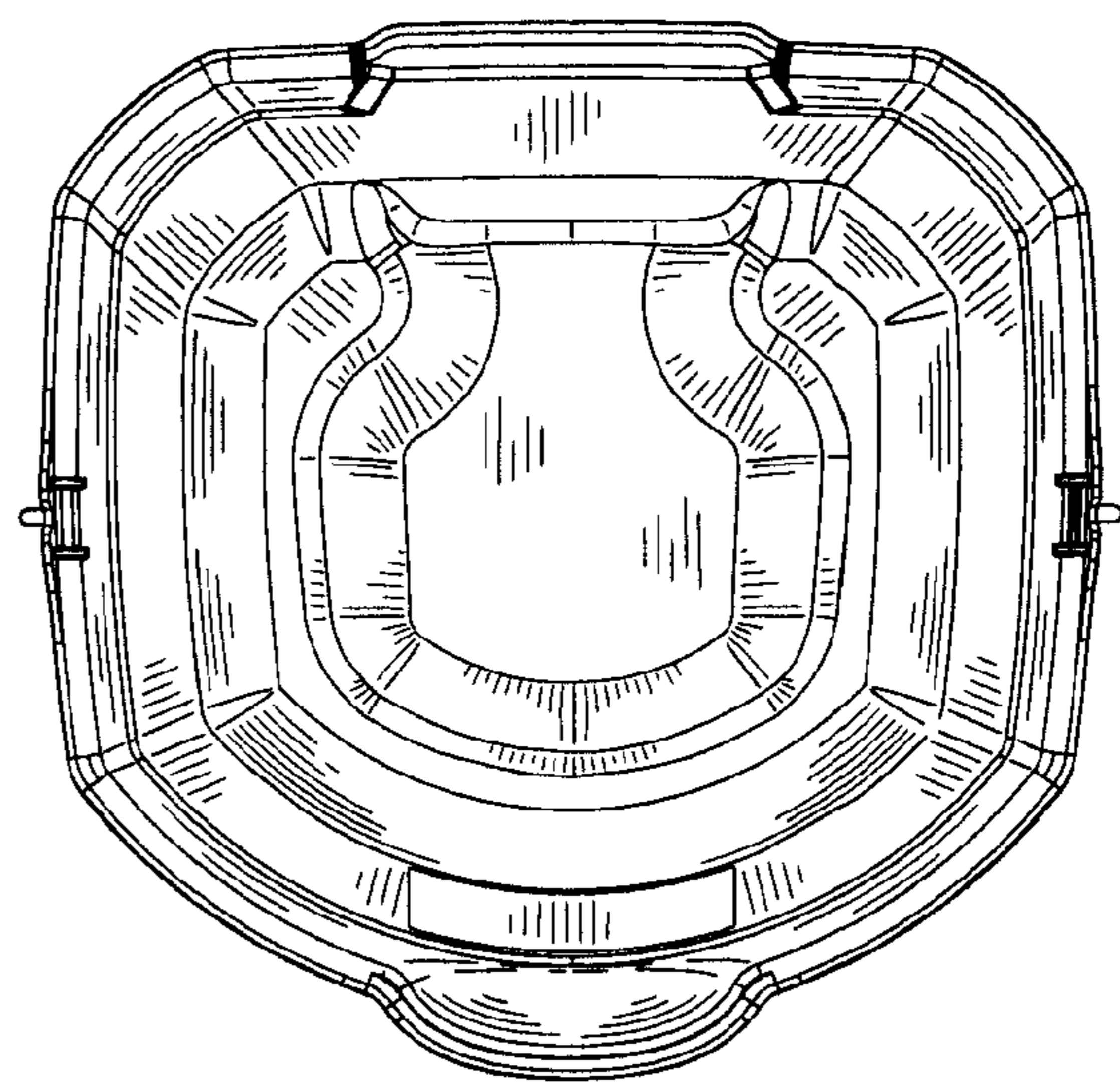


FIG. 6