

US00D544664S

(12) **United States Design Patent**
Santiago et al.

(10) **Patent No.:** **US D544,664 S**
(45) **Date of Patent:** **** Jun. 12, 2007**

(54) **FLOOR CLEANER BASE PORTION**

(75) Inventors: **Jose Carlito Santiago**, Grand Rapids, MI (US); **Douglas J. Medema**, Belding, MI (US); **Adam G. Carr**, Grand Rapids, MI (US)

(73) Assignee: **Bissell Homecare, Inc.**, Grand Rapids, MI (US)

(**) Term: **14 Years**

(21) Appl. No.: **29/246,189**

(22) Filed: **Mar. 10, 2006**

(51) **LOC (8) Cl.** **15-05**

(52) **U.S. Cl.** **D32/39; D32/32**

(58) **Field of Classification Search** D32/22, D32/31-34, 38-39; 15/41.1, 42-45, 320-322, 15/324-325, 327.1, 329, 339, 344, 350-353, 15/361-362, 403, 410-412, 414, 415.1, 416-422, 15/422.1

See application file for complete search history.

(56) **References Cited**

U.S. PATENT DOCUMENTS

- D327,145 S 6/1992 Kuriya
- D354,593 S 1/1995 Koike
- D391,708 S * 3/1998 Canavan et al. D32/38
- D399,619 S 10/1998 Nakano et al.

- D417,533 S 12/1999 Burchard et al.
- D455,876 S 4/2002 Arney et al.
- D475,823 S 6/2003 Medema et al.
- D487,324 S * 3/2004 Santiago et al. D32/32
- D487,602 S 3/2004 Roberts et al.
- D501,283 S 1/2005 Carr et al.
- D506,049 S * 6/2005 Santiago et al. D32/32
- 7,013,528 B2 * 3/2006 Parker et al. 15/403
- 2005/0005377 A1 * 1/2005 Kaleta 15/42

* cited by examiner

Primary Examiner—Ruth McInroy

(74) *Attorney, Agent, or Firm*—McGarry Bair PC

(57) **CLAIM**

The ornamental design for a floor cleaner base portion, as shown and described.

DESCRIPTION

FIG. 1 is a front perspective view of a floor cleaner base portion which embodies our design;

FIG. 2 is a front view thereof;

FIG. 3 is a rear view thereof;

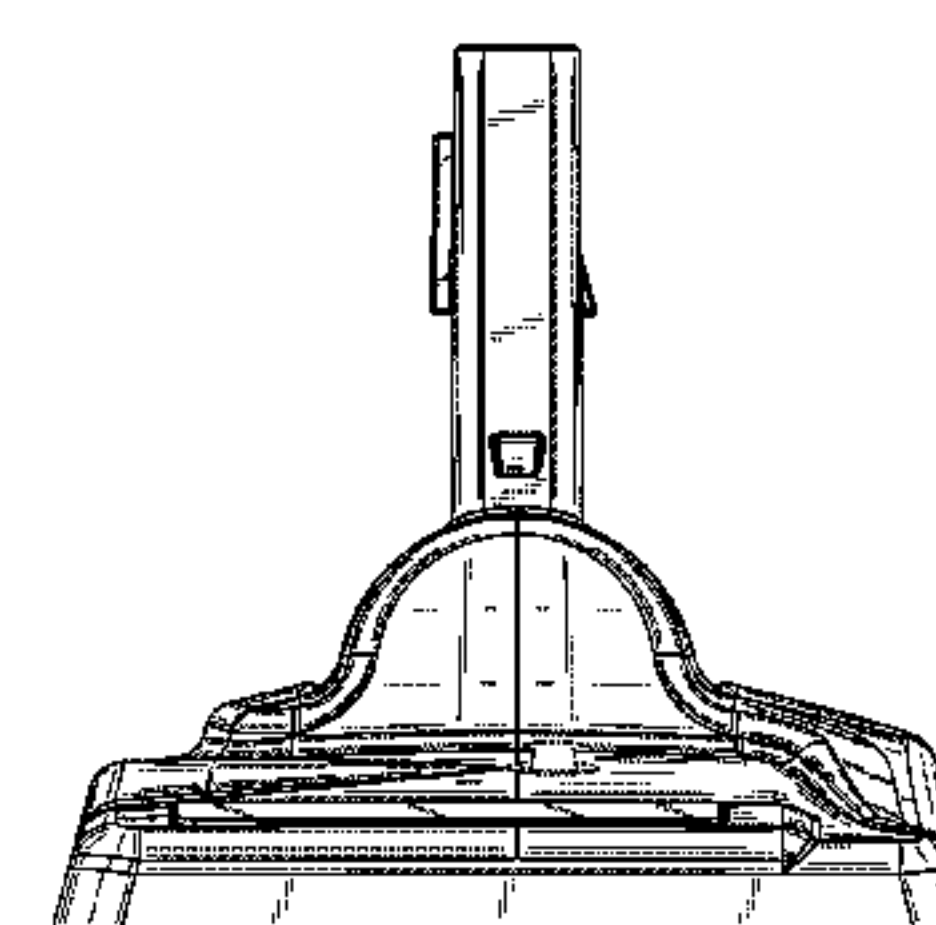
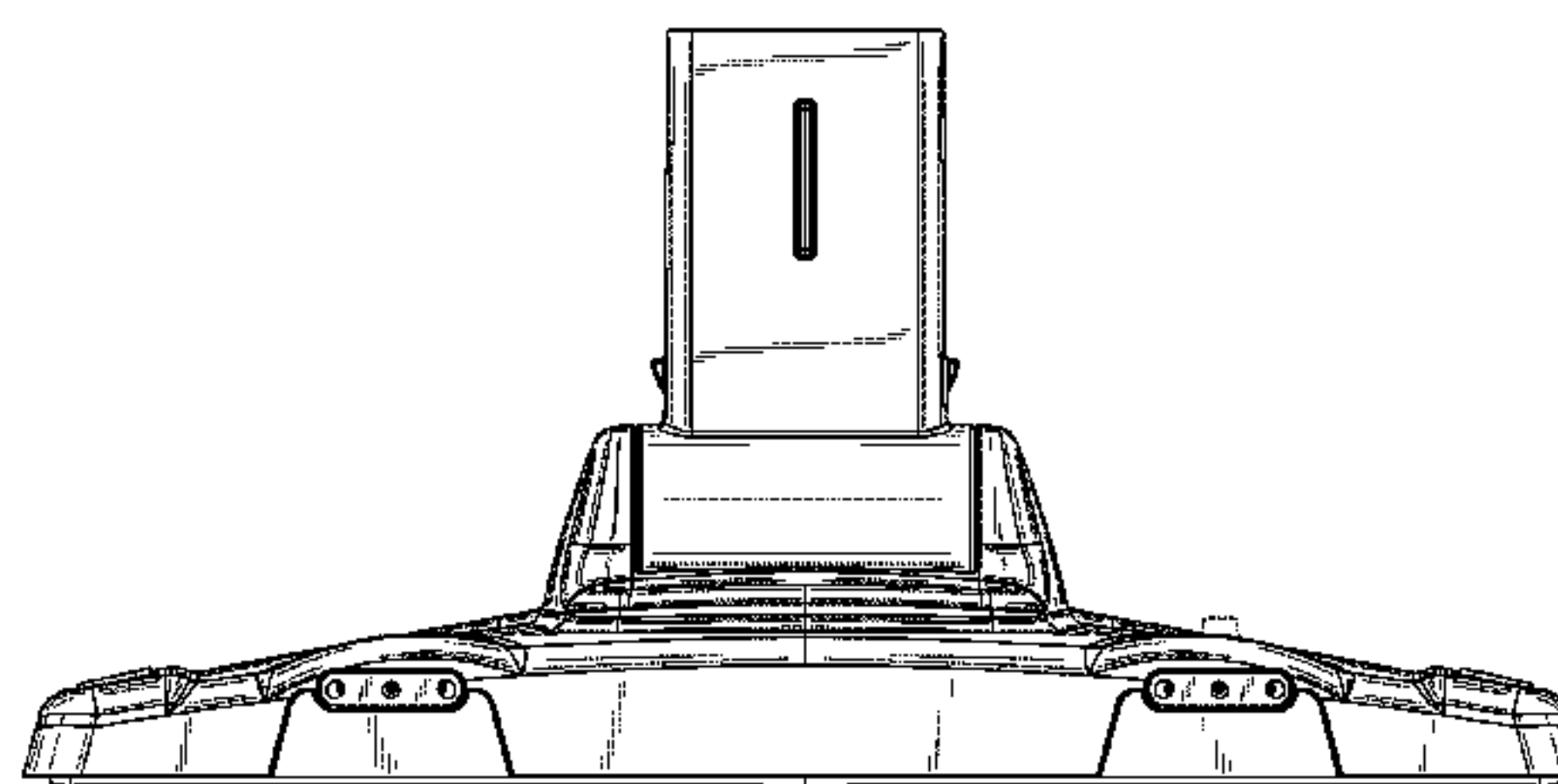
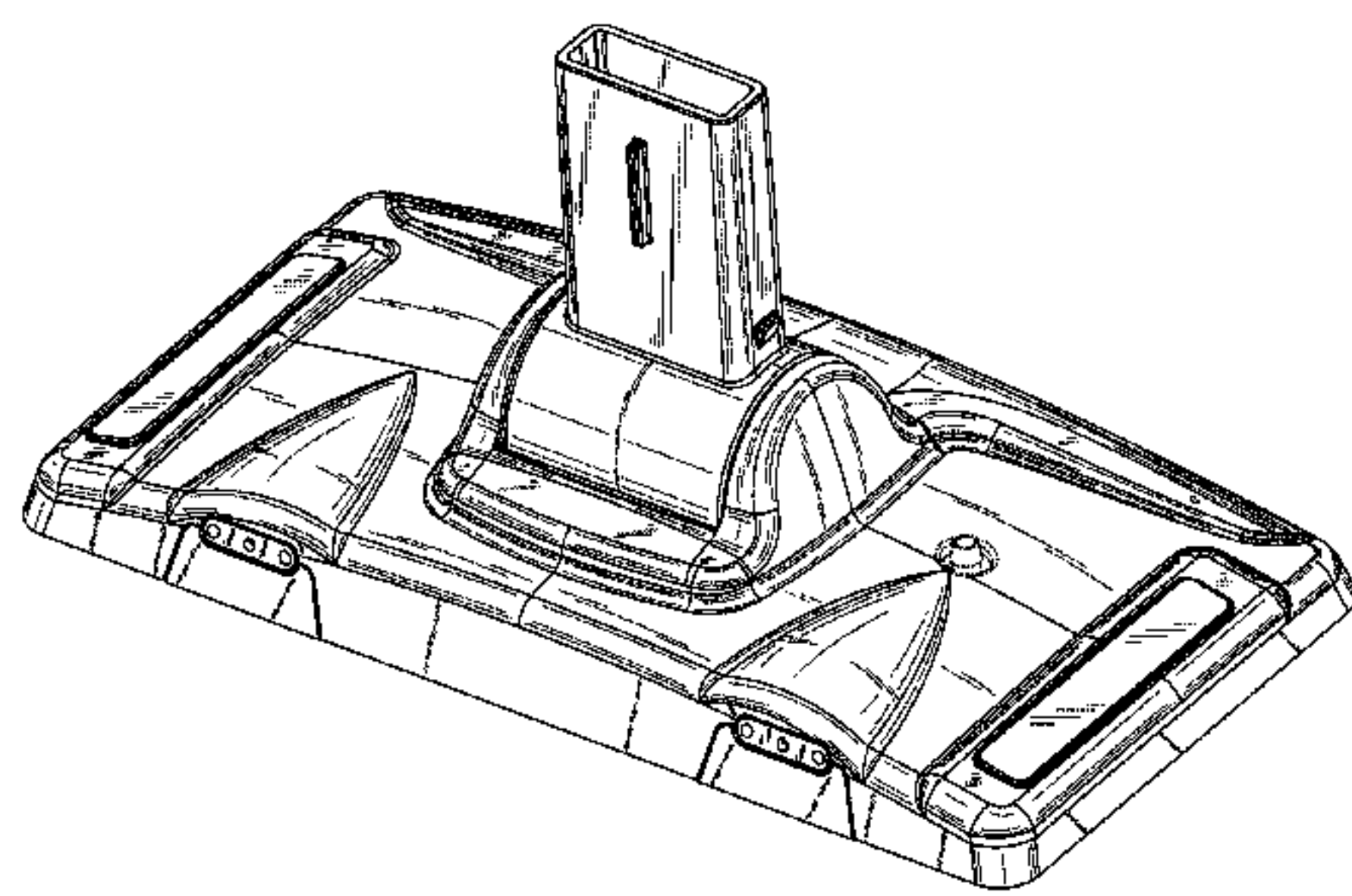
FIG. 4 is a right side view thereof;

FIG. 5 is a left side view thereof; and,

FIG. 6 is a top view thereof.

The material in dotted lines forms no part of our design.

1 Claim, 5 Drawing Sheets



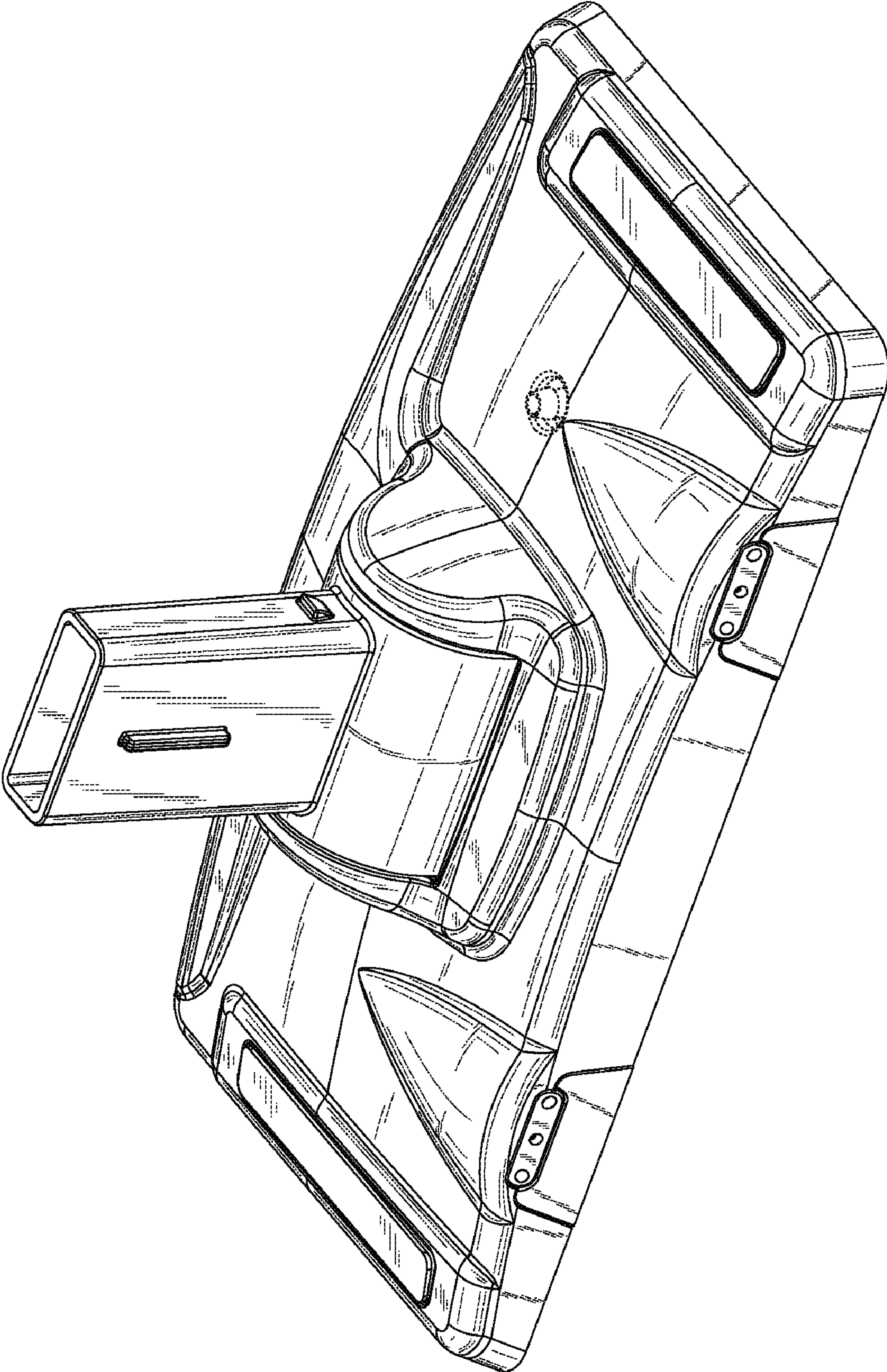


Fig. 1

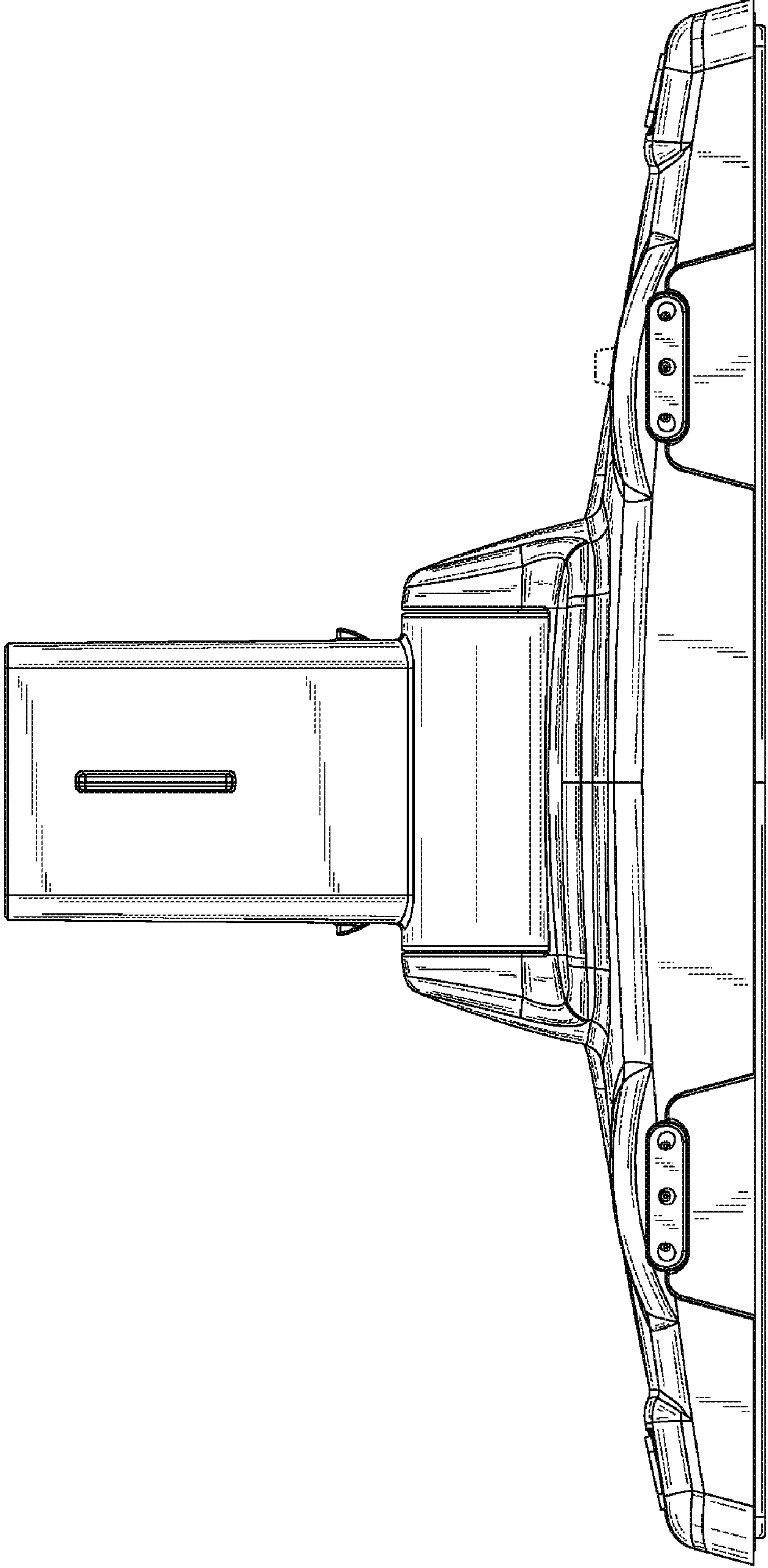


Fig. 2

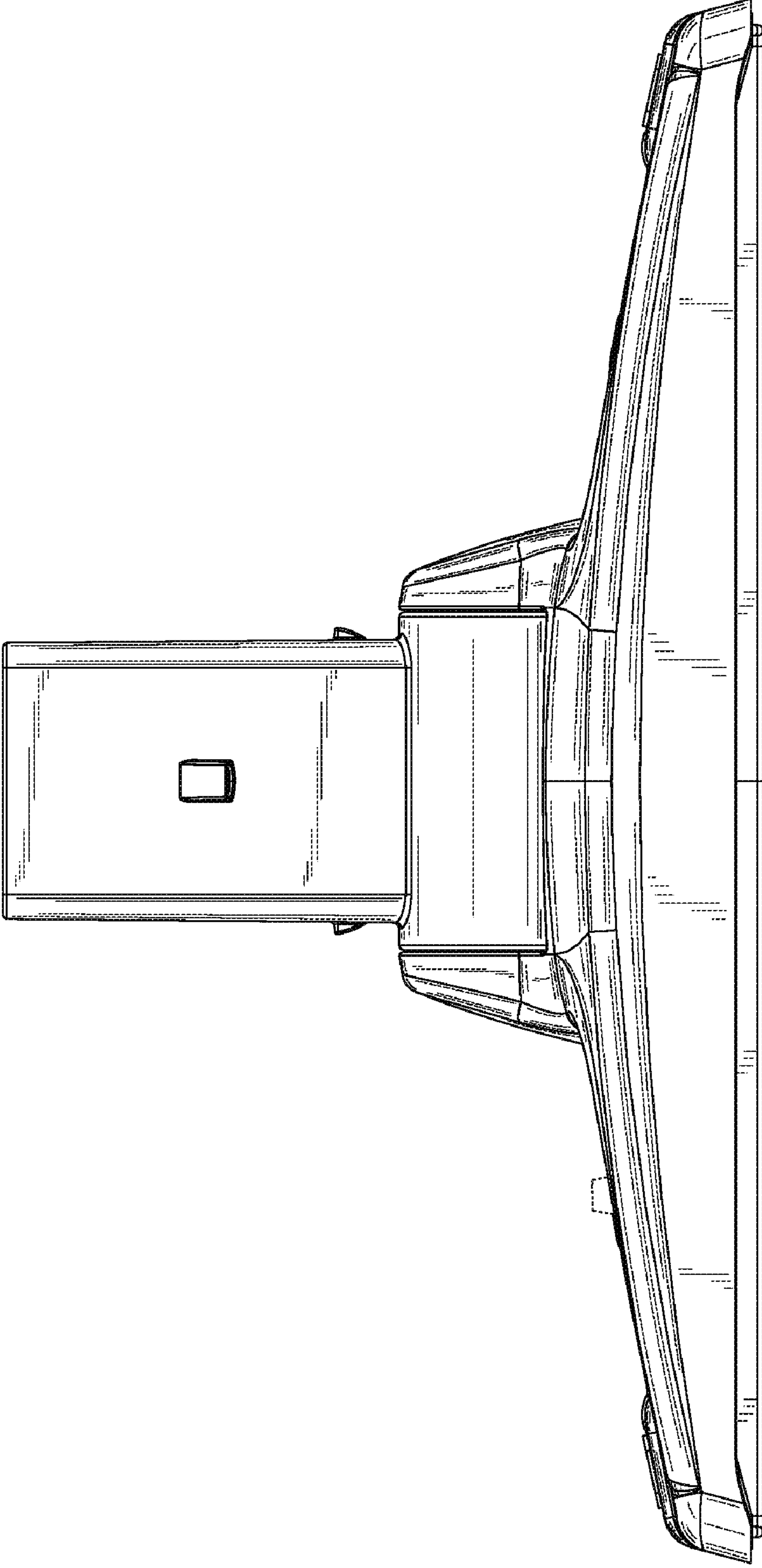


Fig. 3

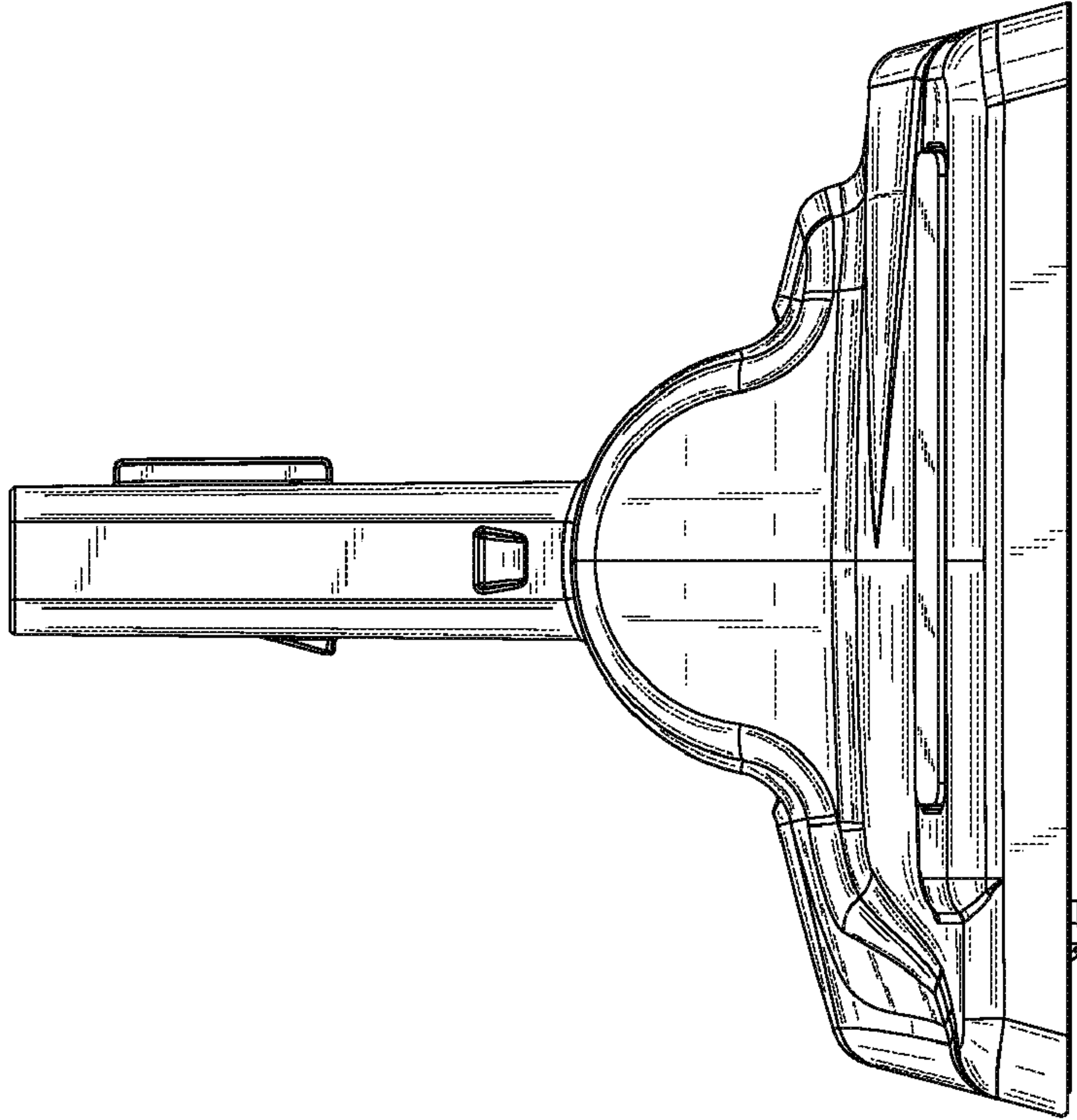


Fig. 5

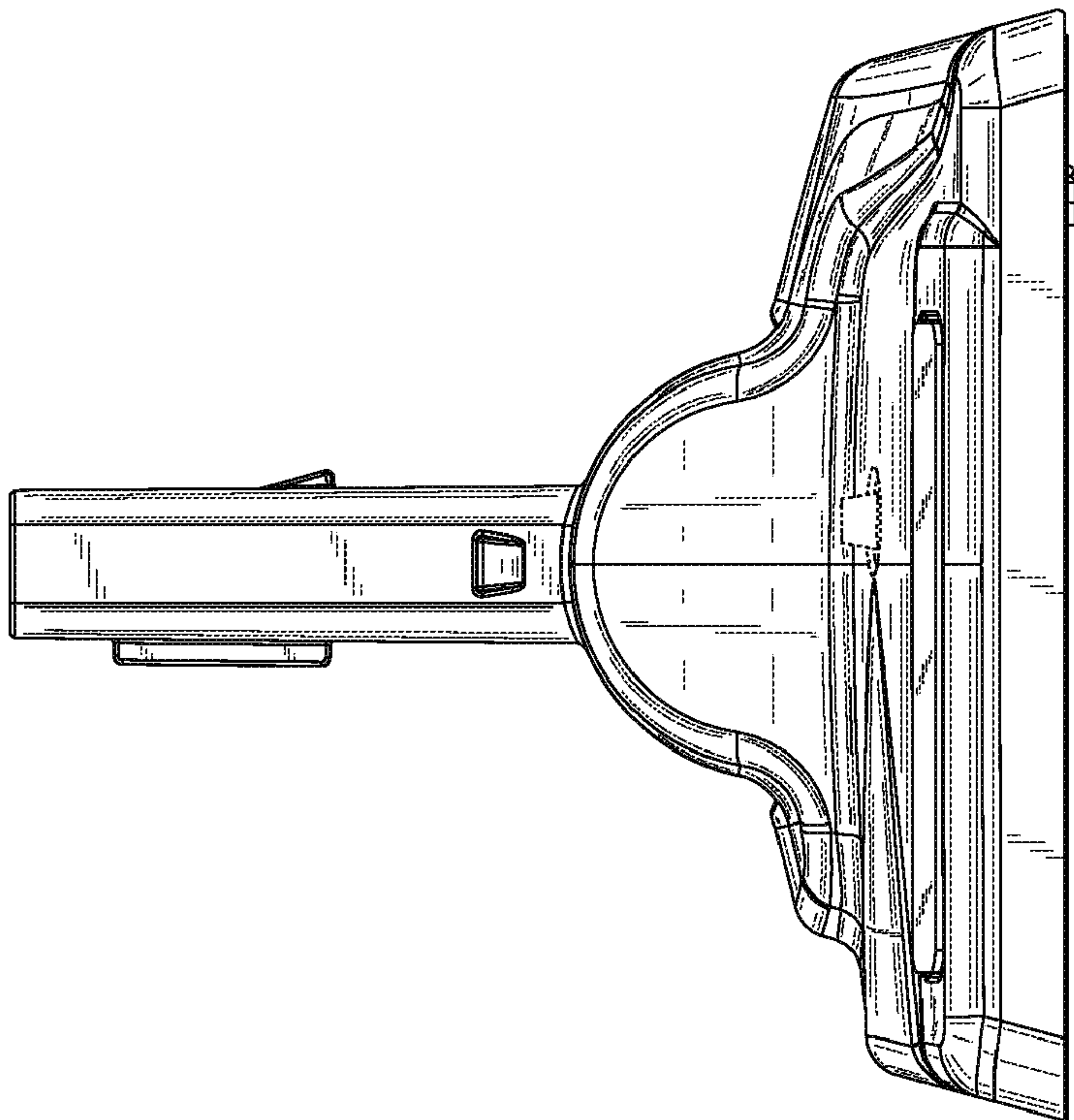


Fig. 4

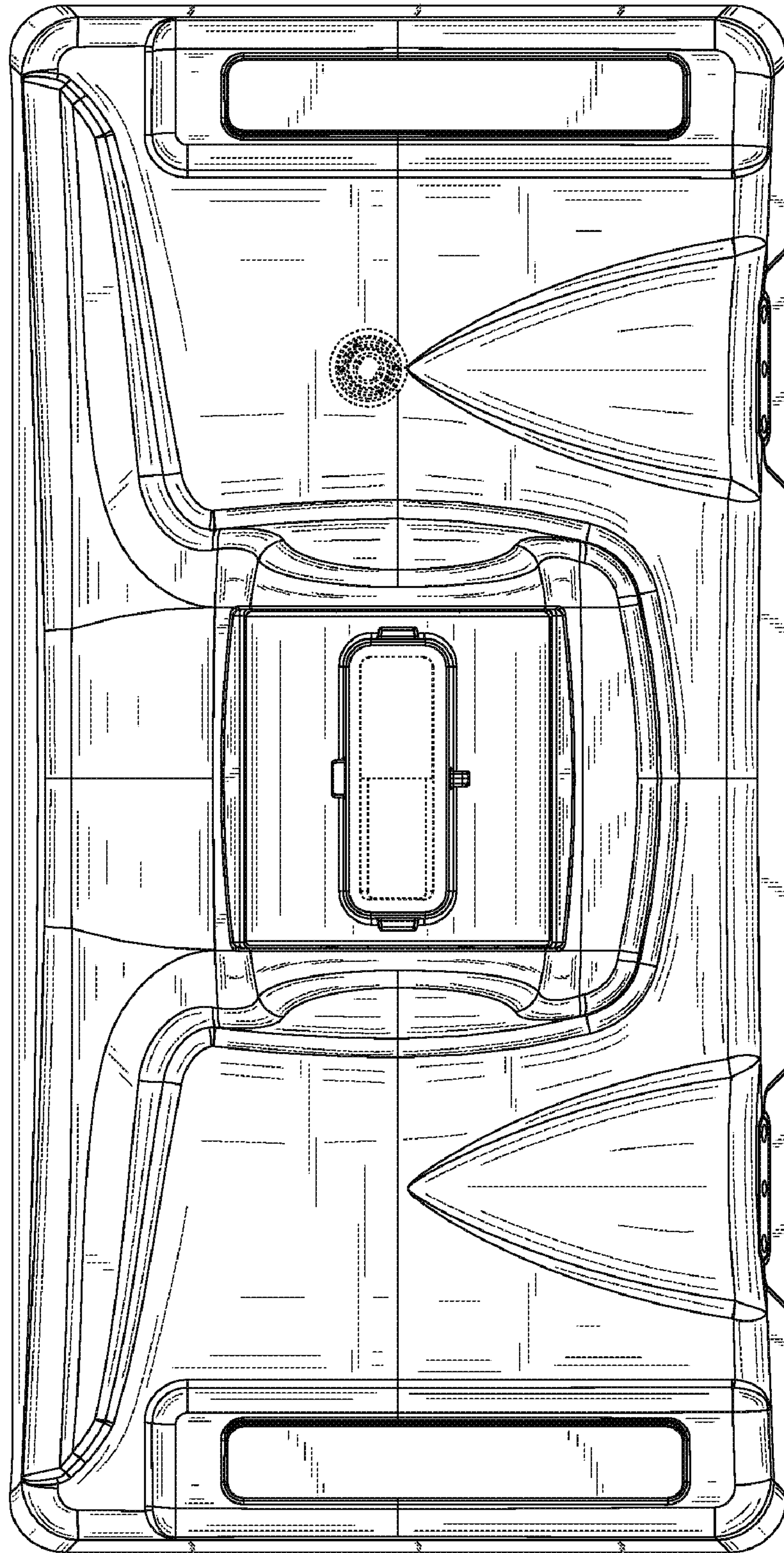


Fig. 6