



US00D544662S

(12) **United States Design Patent**  
**Carr et al.**

(10) **Patent No.:** **US D544,662 S**  
(45) **Date of Patent:** **\*\* Jun. 12, 2007**

(54) **VACUUM CLEANER BASE**

(75) Inventors: **Adam G. Carr**, Grand Rapids, MI (US); **Mitchell E. Auerbach**, Grand Haven, MI (US); **Douglas J. Medema**, Belding, MI (US)

(73) Assignee: **Bissell Homecare, Inc.**, Grand Rapids, MI (US)

(\*\*) Term: **14 Years**

(21) Appl. No.: **29/246,176**

(22) Filed: **Mar. 8, 2006**

(51) **LOC (8) Cl.** ..... **15-05**

(52) **U.S. Cl.** ..... **D32/32**

(58) **Field of Classification Search** ..... D32/22, D32/31-34, 38-39; 15/41.1, 320-322, 324-325, 15/327.1, 329, 339, 344, 350-353, 361-362, 15/403, 410-412, 414, 415.1, 416-422, 422.1  
See application file for complete search history.

(56) **References Cited**

**U.S. PATENT DOCUMENTS**

D327,145 S	6/1992	Kuriya	
D354,593 S	1/1995	Koike	
D399,619 S	10/1998	Nakano et al.	
D416,115 S *	11/1999	Rohn et al.	D32/32
D417,533 S	12/1999	Burchard et al.	

D427,399 S *	6/2000	Thur et al.	D32/33
D455,876 S	4/2002	Arney et al.	
D475,823 S *	6/2003	Medema et al.	D32/32
D487,602 S	3/2004	Roberts et al.	
D499,518 S *	12/2004	Downey et al.	D32/32
D501,283 S	1/2005	Carr et al.	
D506,048 S *	6/2005	Downey et al.	D32/32
D506,586 S *	6/2005	Carr et al.	D32/32
2004/0006842 A1 *	1/2004	Lee et al.	15/351

\* cited by examiner

*Primary Examiner*—Ruth McInroy

(74) *Attorney, Agent, or Firm*—McGarry Bair PC

(57) **CLAIM**

The ornamental design for a vacuum cleaner base, as shown and described.

**DESCRIPTION**

FIG. 1 is a front perspective view of a vacuum cleaner base which embodies our design;

FIG. 2 is a front view thereof;

FIG. 3 is a rear view thereof;

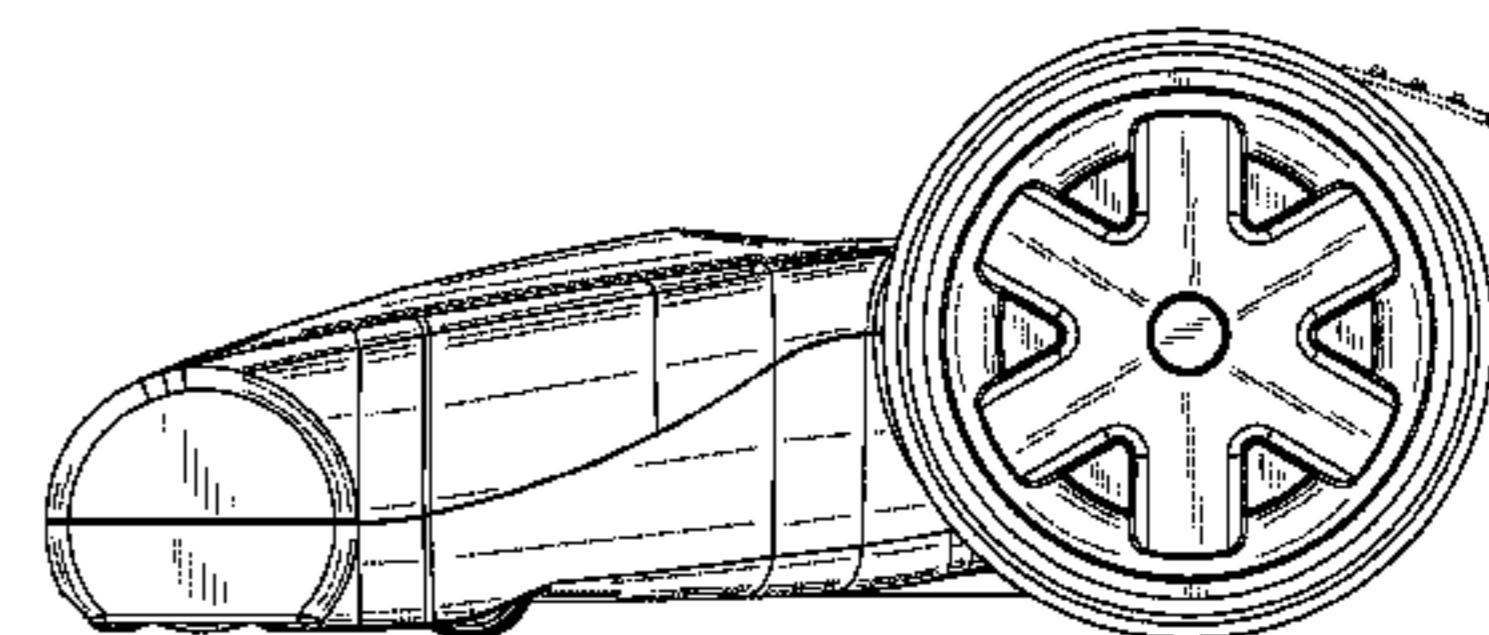
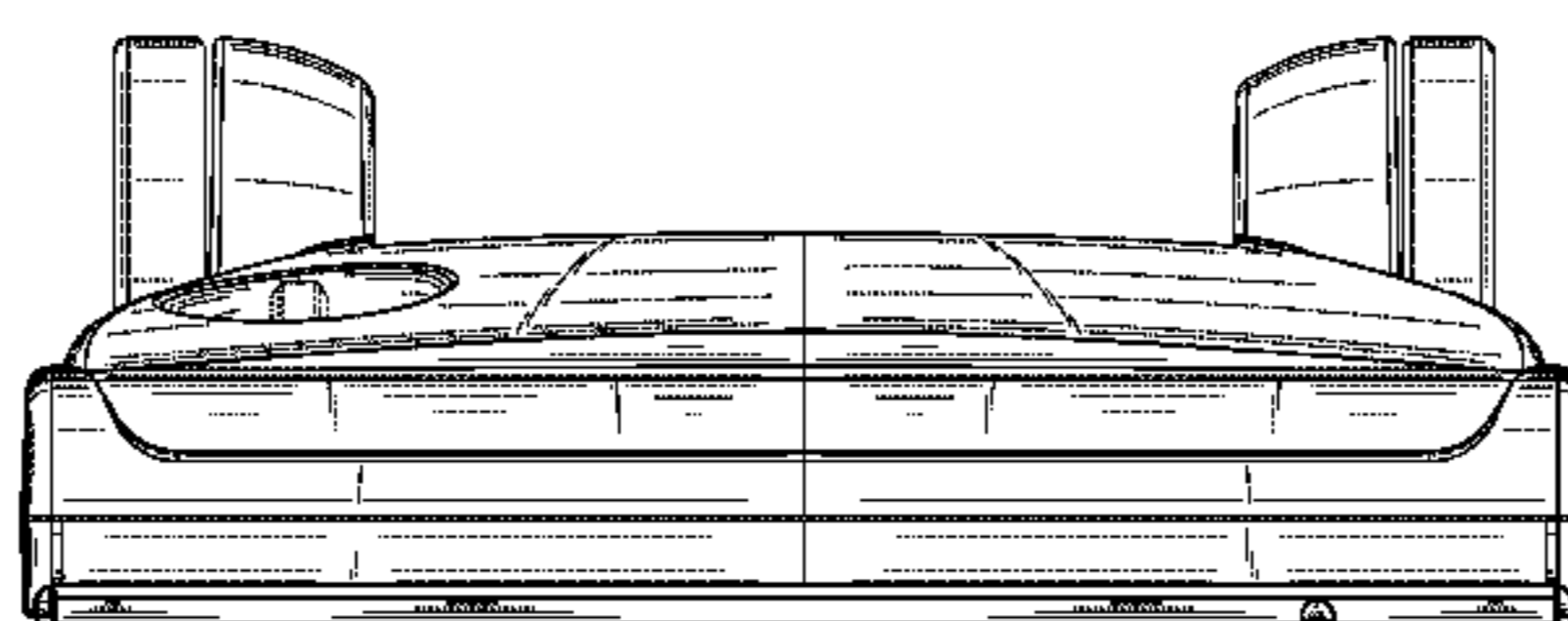
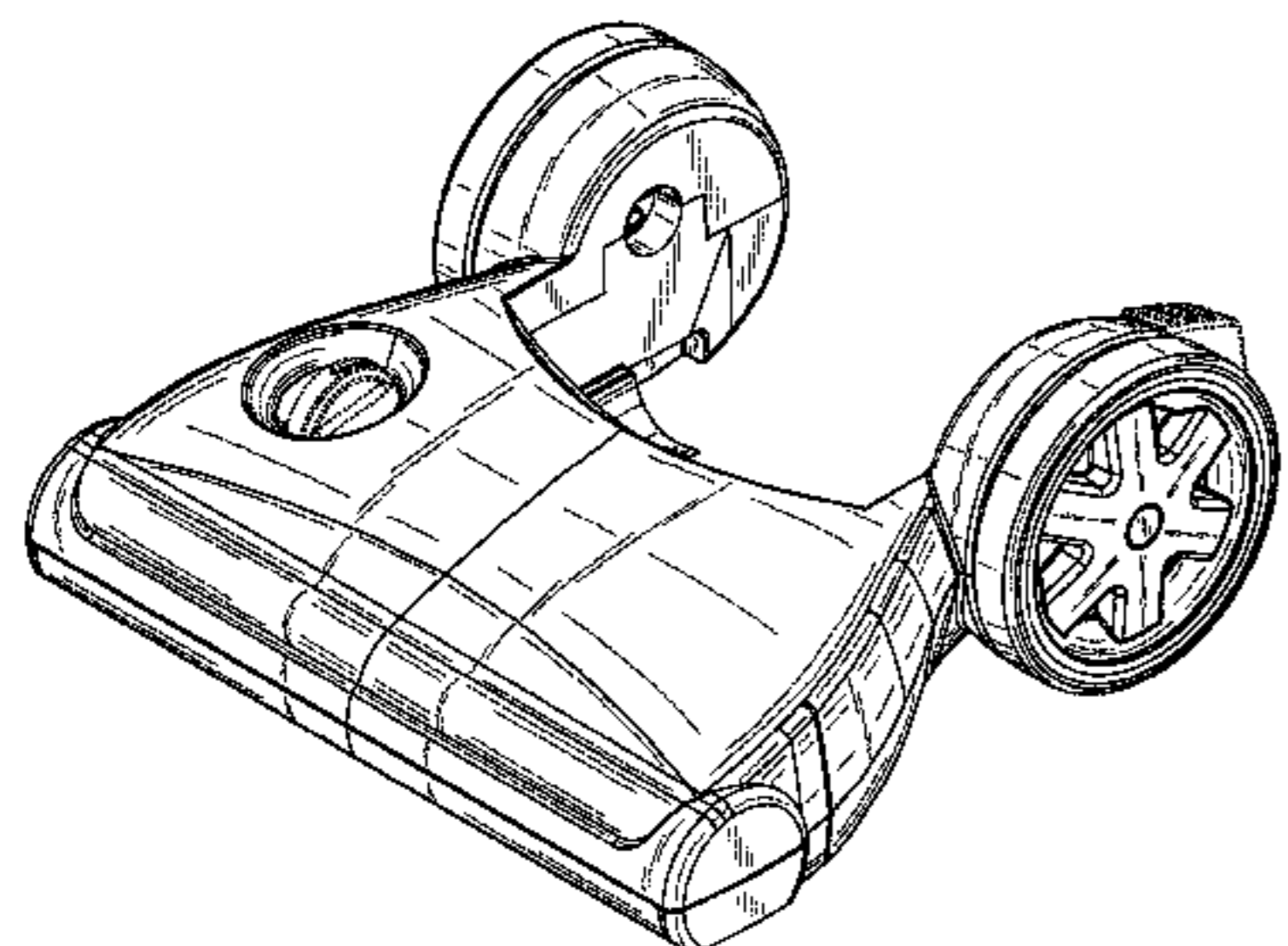
FIG. 4 is a right side view thereof;

FIG. 5 is a left side view thereof; and,

FIG. 6 is a top view thereof.

The material in dotted lines forms no part of our design.

**1 Claim, 4 Drawing Sheets**



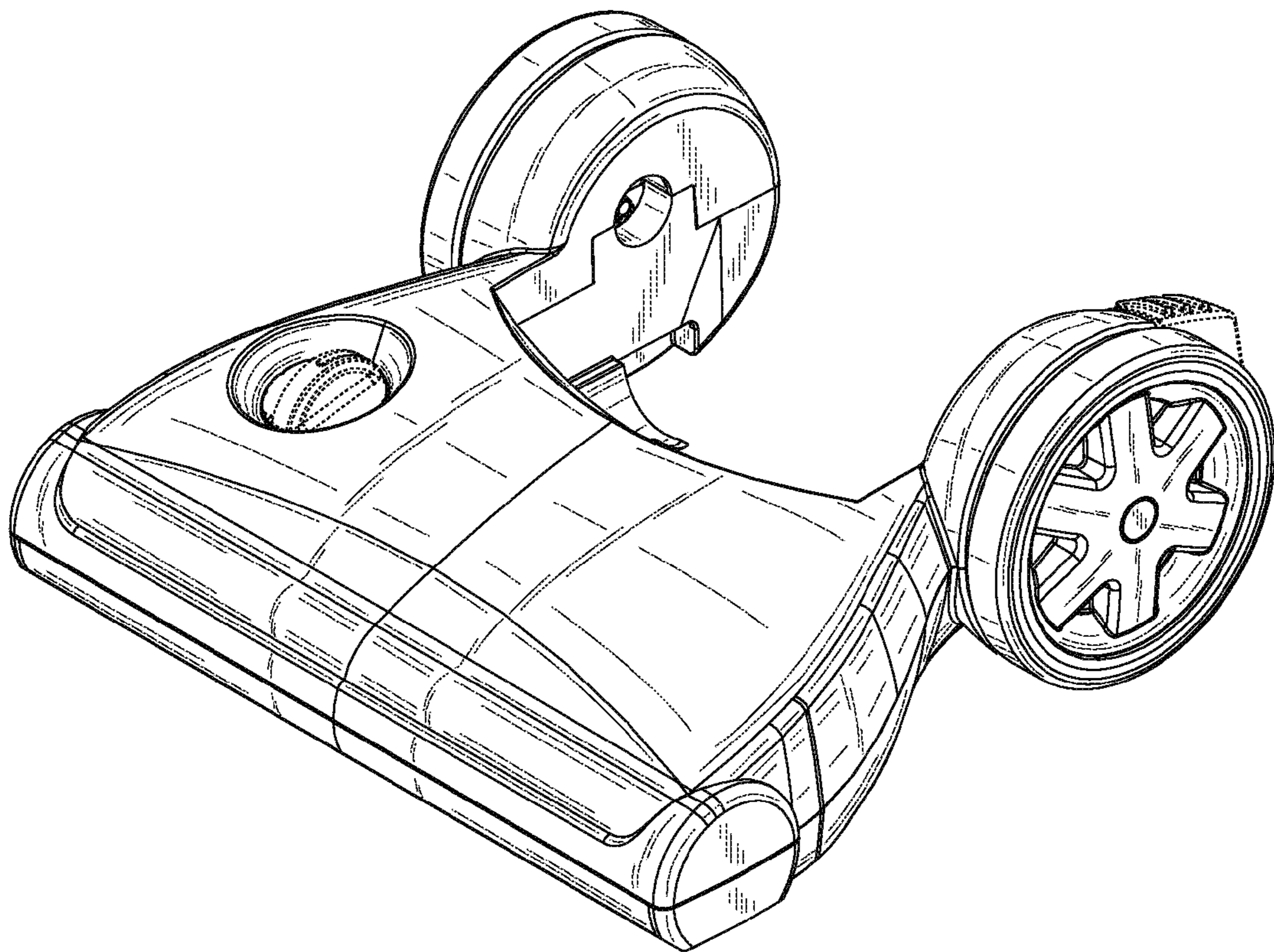


Fig. 1

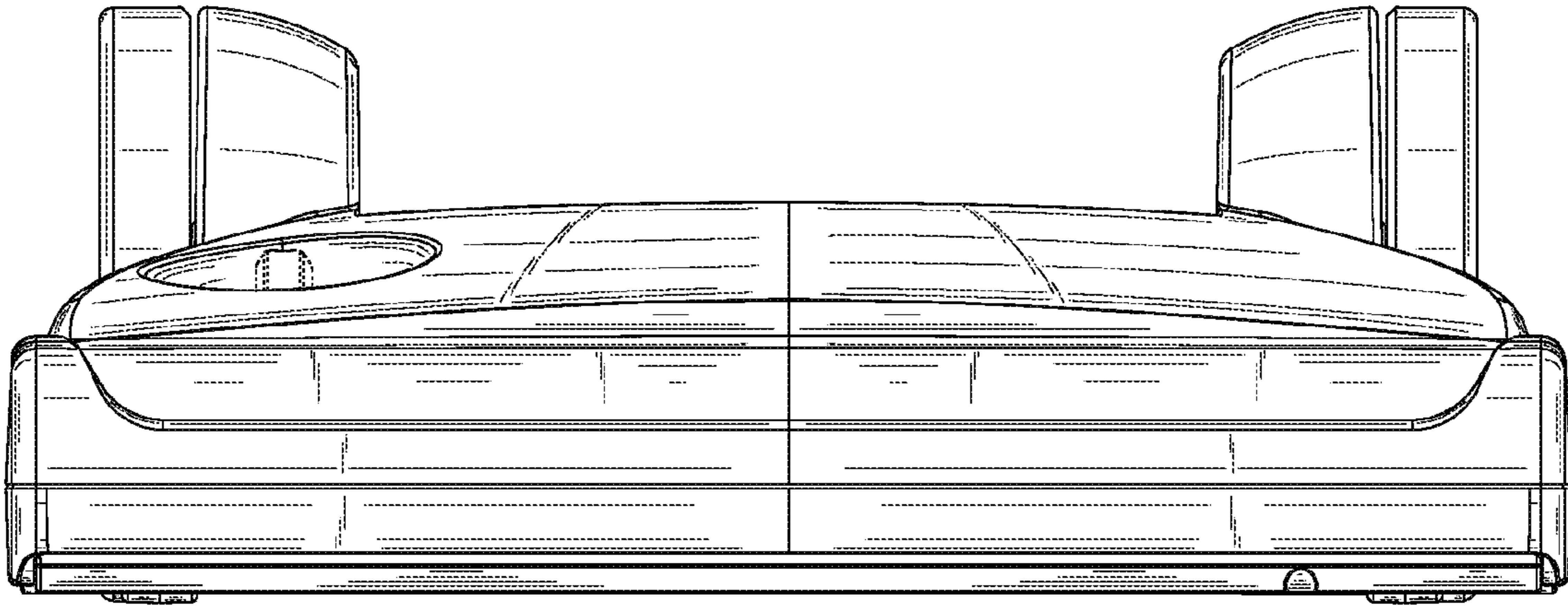


Fig. 2

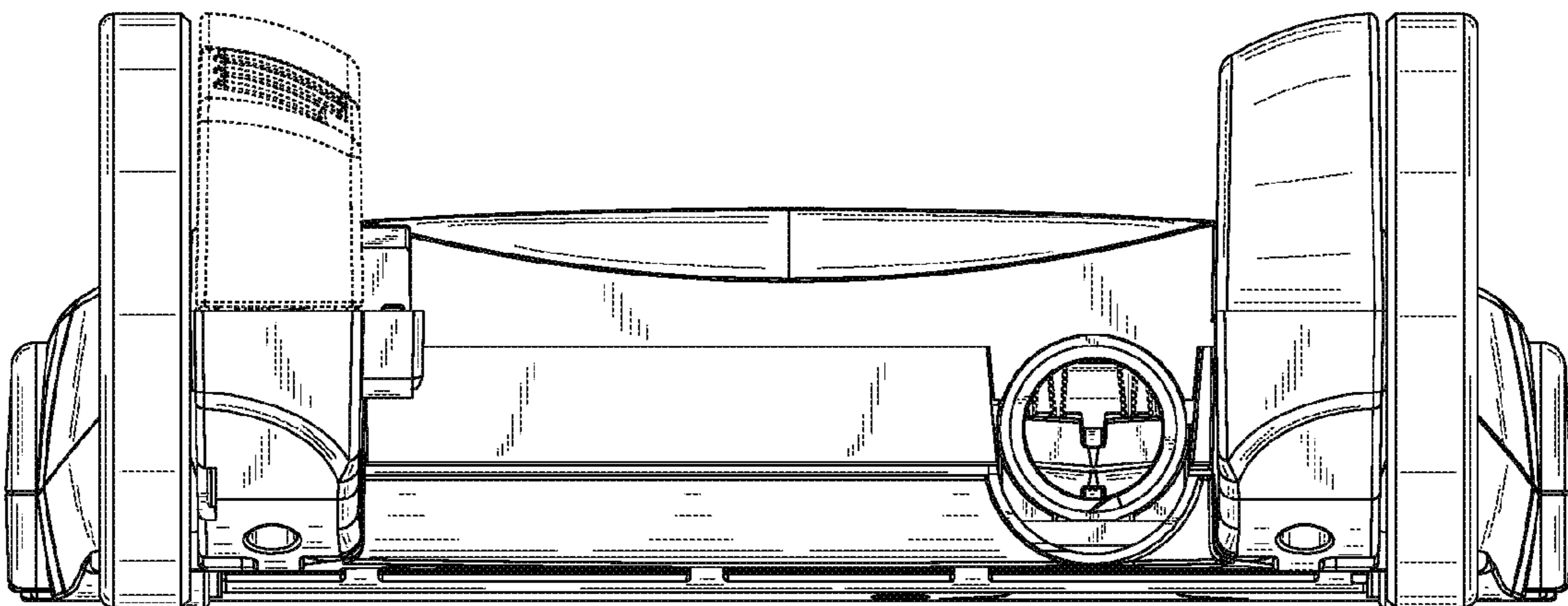


Fig. 3

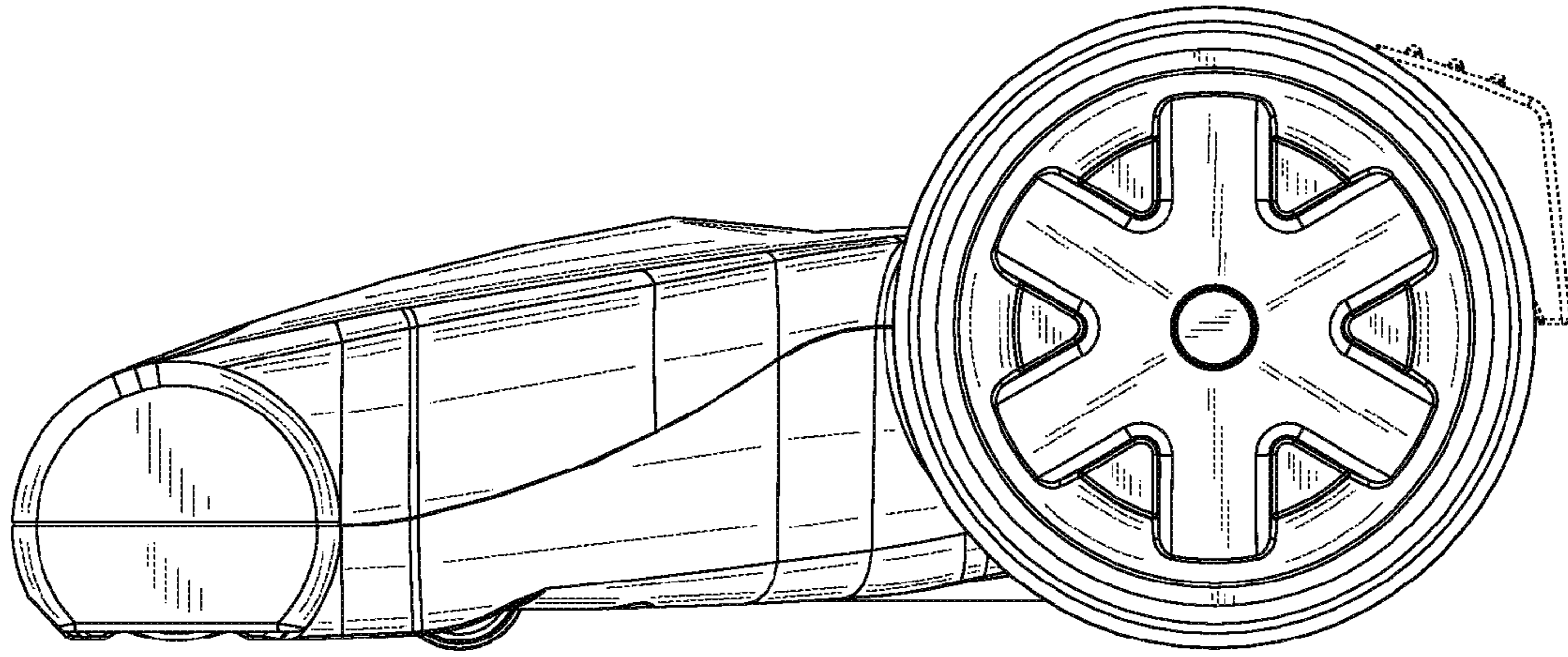


Fig. 4

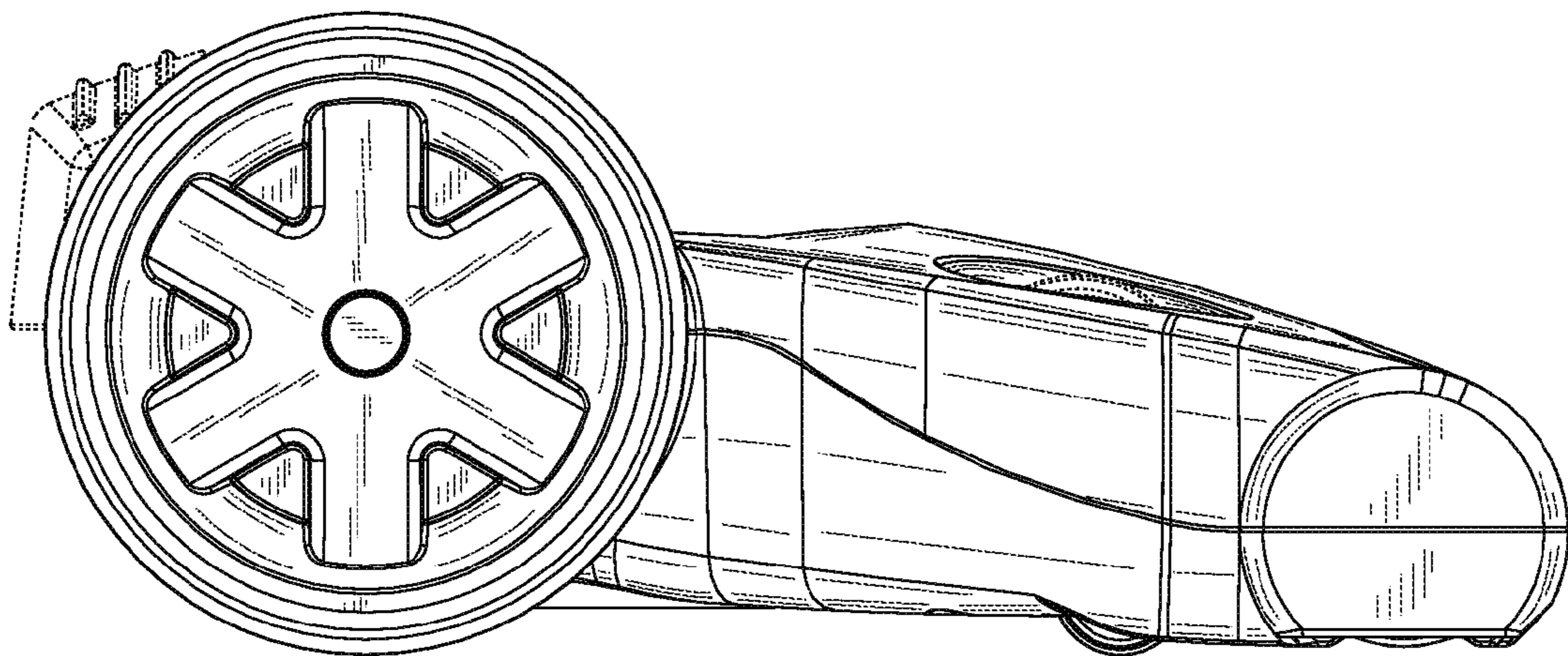


Fig. 5

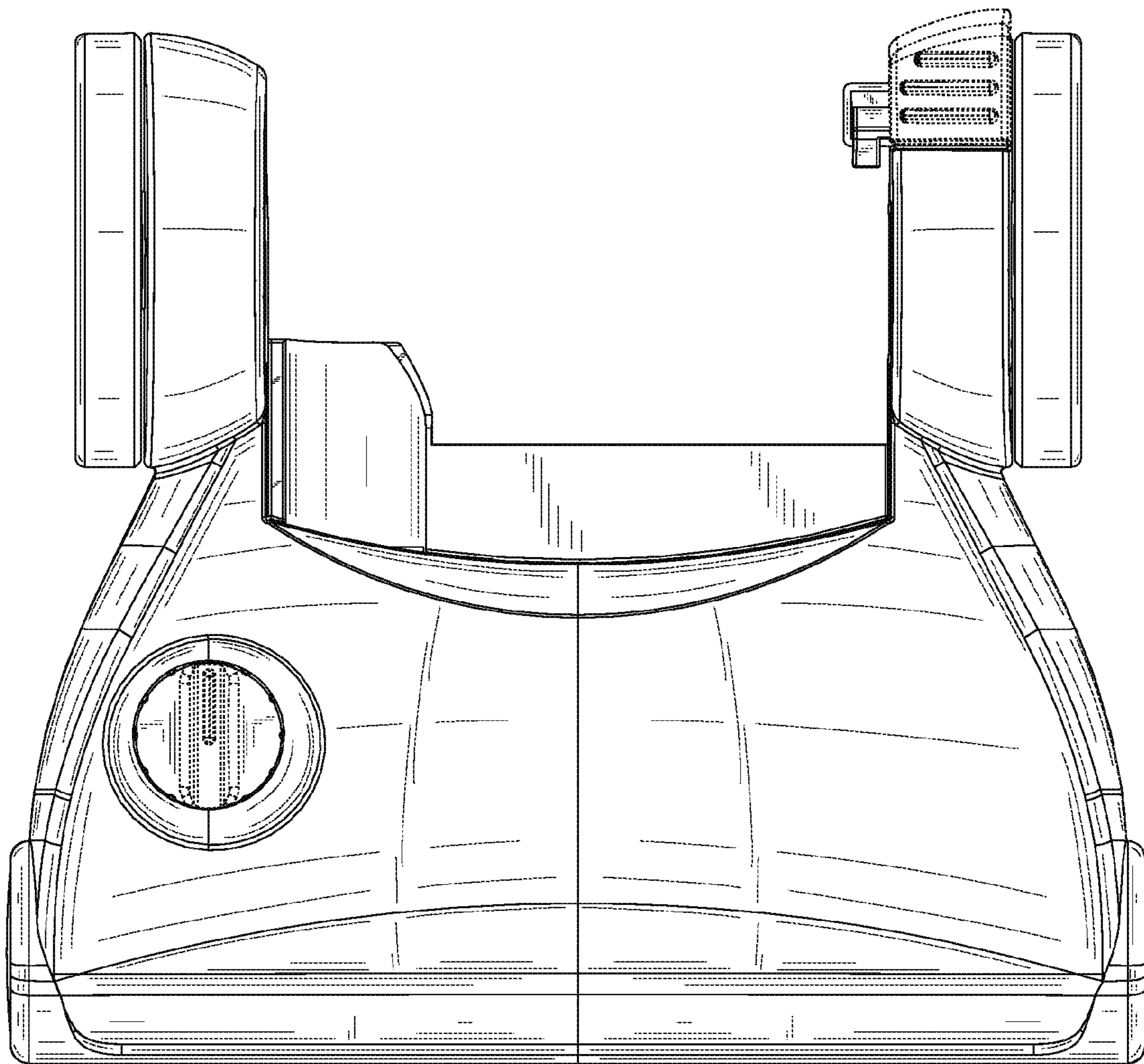


Fig. 6