



US00D544657S

(12) **United States Design Patent**
Jung et al.

(10) **Patent No.:** **US D544,657 S**
(45) **Date of Patent:** **** Jun. 12, 2007**

(54) **DISHWASHER**

(75) Inventors: **Yun Tae Jung**, Seoul (KR); **So Jin Park**, Seoul (KR); **Hyeon Geun Oh**, Seoul (KR)

(73) Assignee: **LG Electronics Inc.**, Seoul (KR)

(**) Term: **14 Years**

(21) Appl. No.: **29/266,054**

(22) Filed: **Sep. 14, 2006**

(30) **Foreign Application Priority Data**

Mar. 16, 2006 (KR) 30-2006-0009818

(51) **LOC (8) Cl.** **15-05**

(52) **U.S. Cl.** **D32/2**

(58) **Field of Classification Search** D32/2,
D32/3, 28, 1; D7/340, 405, 406, 348; 312/31,
312/204; 134/113, 201, 57 D, 57 DL, 56 D,
134/58 D, 58 DL; 68/212

See application file for complete search history.

(56) **References Cited**

U.S. PATENT DOCUMENTS

D495,102 S * 8/2004 Kaczmarek D32/3
D511,870 S * 11/2005 Paik D32/2

D512,543 S * 12/2005 Jeong D32/2
D512,544 S * 12/2005 Jeong et al. D32/3
D513,548 S * 1/2006 Jeong D32/2
D521,195 S * 5/2006 Park et al. D32/2

* cited by examiner

Primary Examiner—Louis S. Zarfaz

Assistant Examiner—Kathleen Sims

(74) *Attorney, Agent, or Firm*—Birch, Stewart, Kolasch & Birch, LLP

(57) **CLAIM**

The ornamental design for a dishwasher, as shown and described.

DESCRIPTION

FIG. 1 is a perspective view of a dishwasher showing our new design;

FIG. 2 is a front view thereof;

FIG. 3 is a rear view thereof;

FIG. 4 is a left side view thereof where the right side view is a mirror image;

FIG. 5 is a top plan view thereof; and,

FIG. 6 is a bottom plan view thereof.

1 Claim, 5 Drawing Sheets

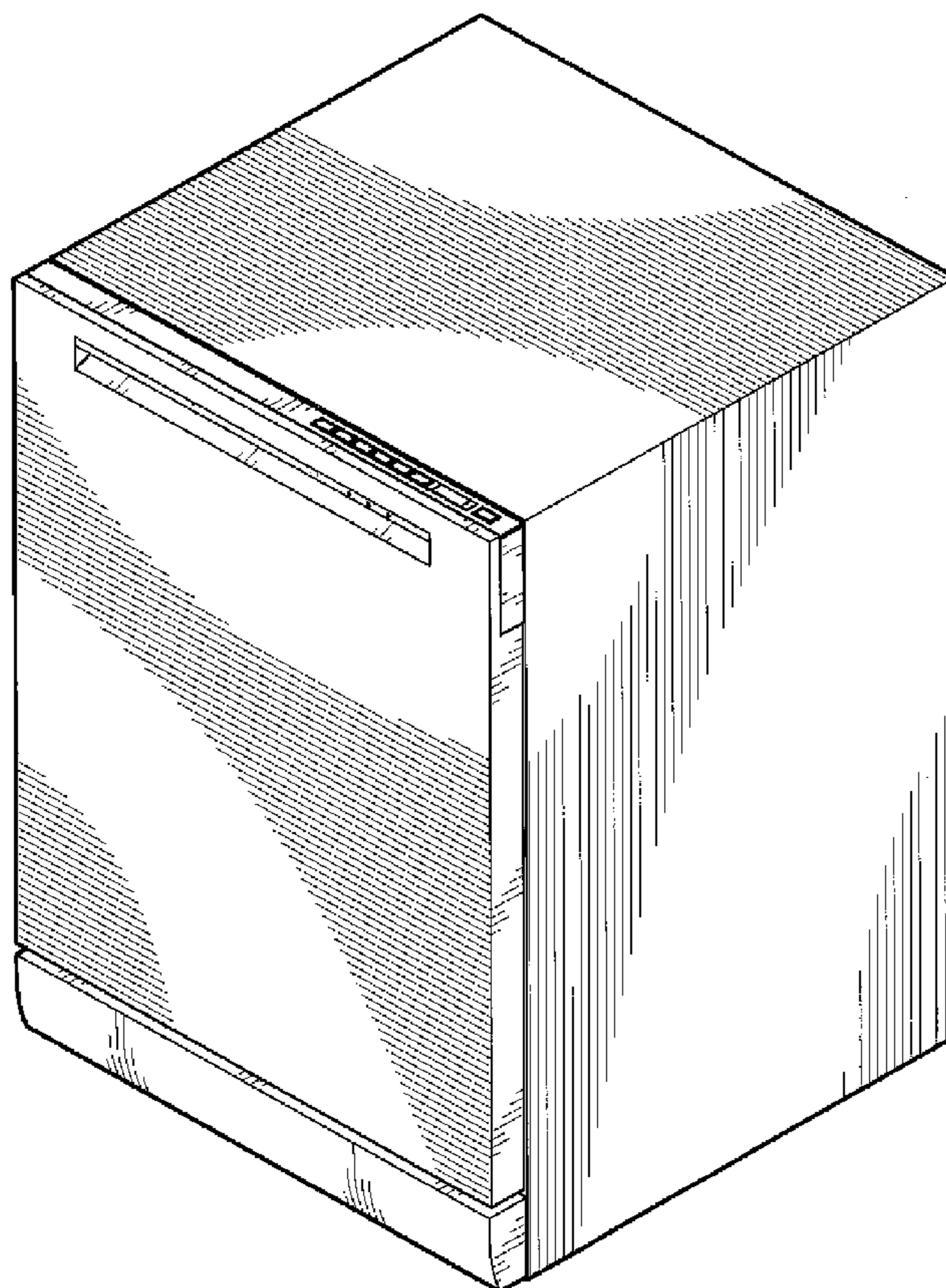


FIG. 1

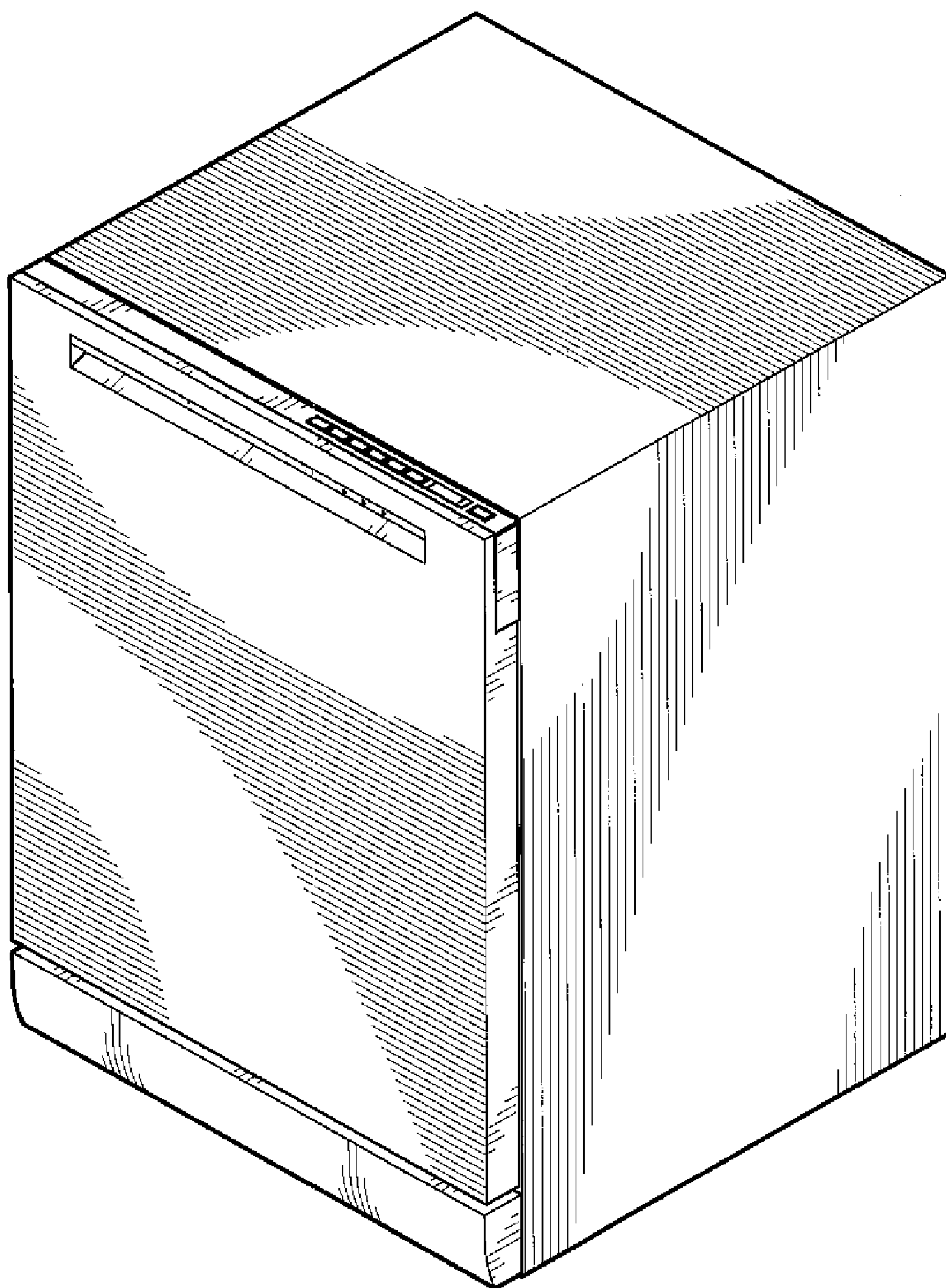


FIG. 2

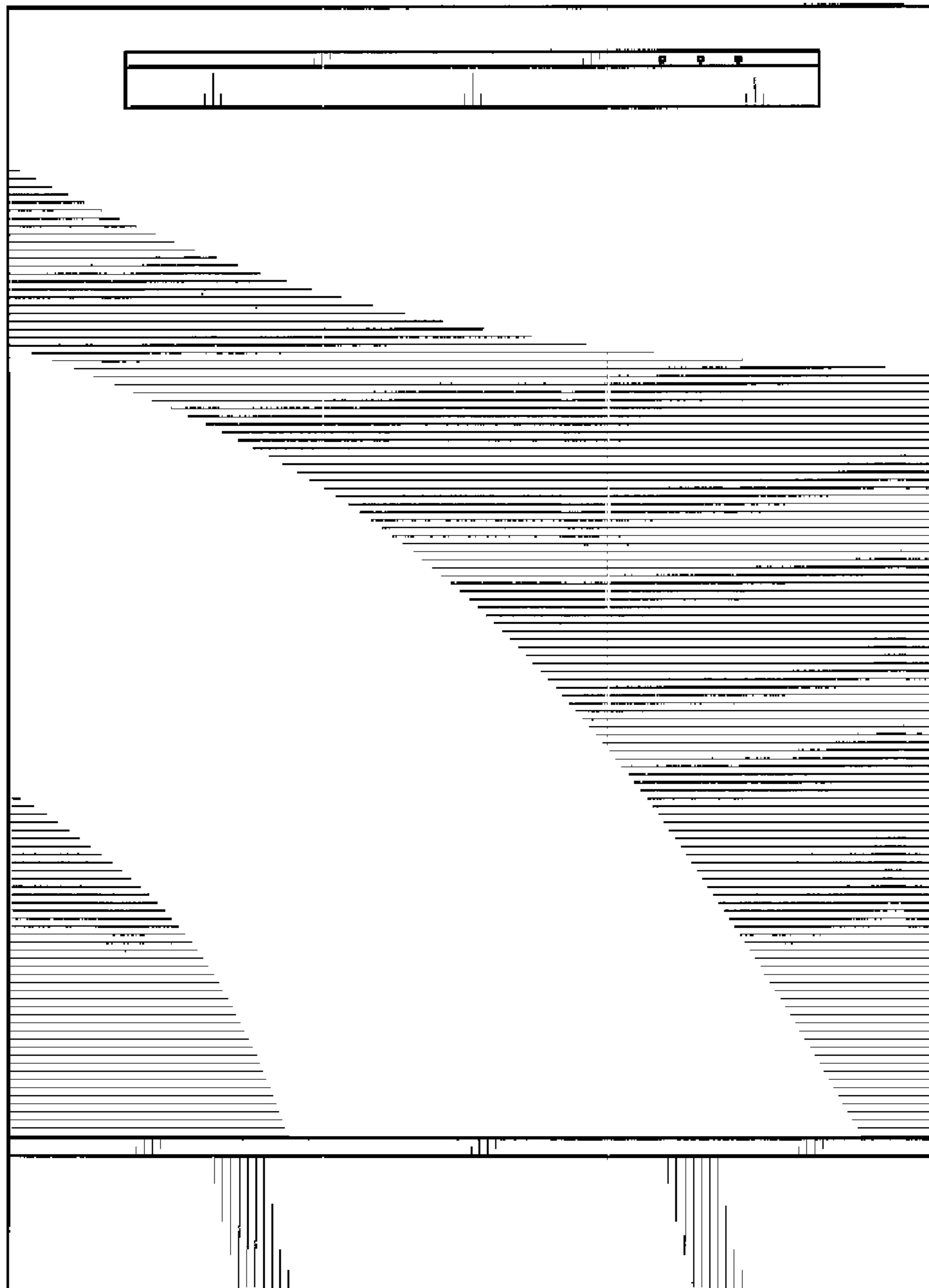


FIG. 3

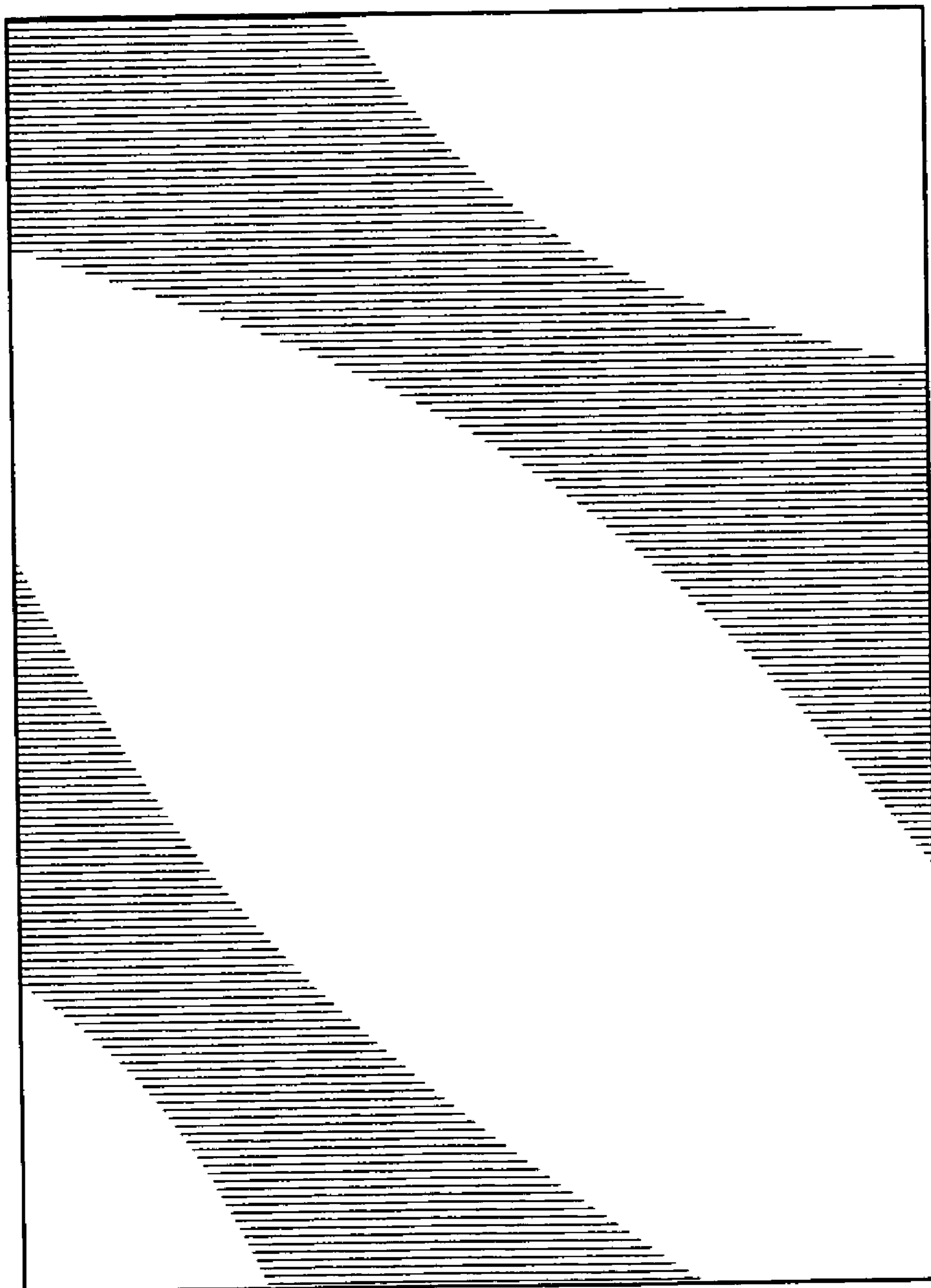


FIG. 4

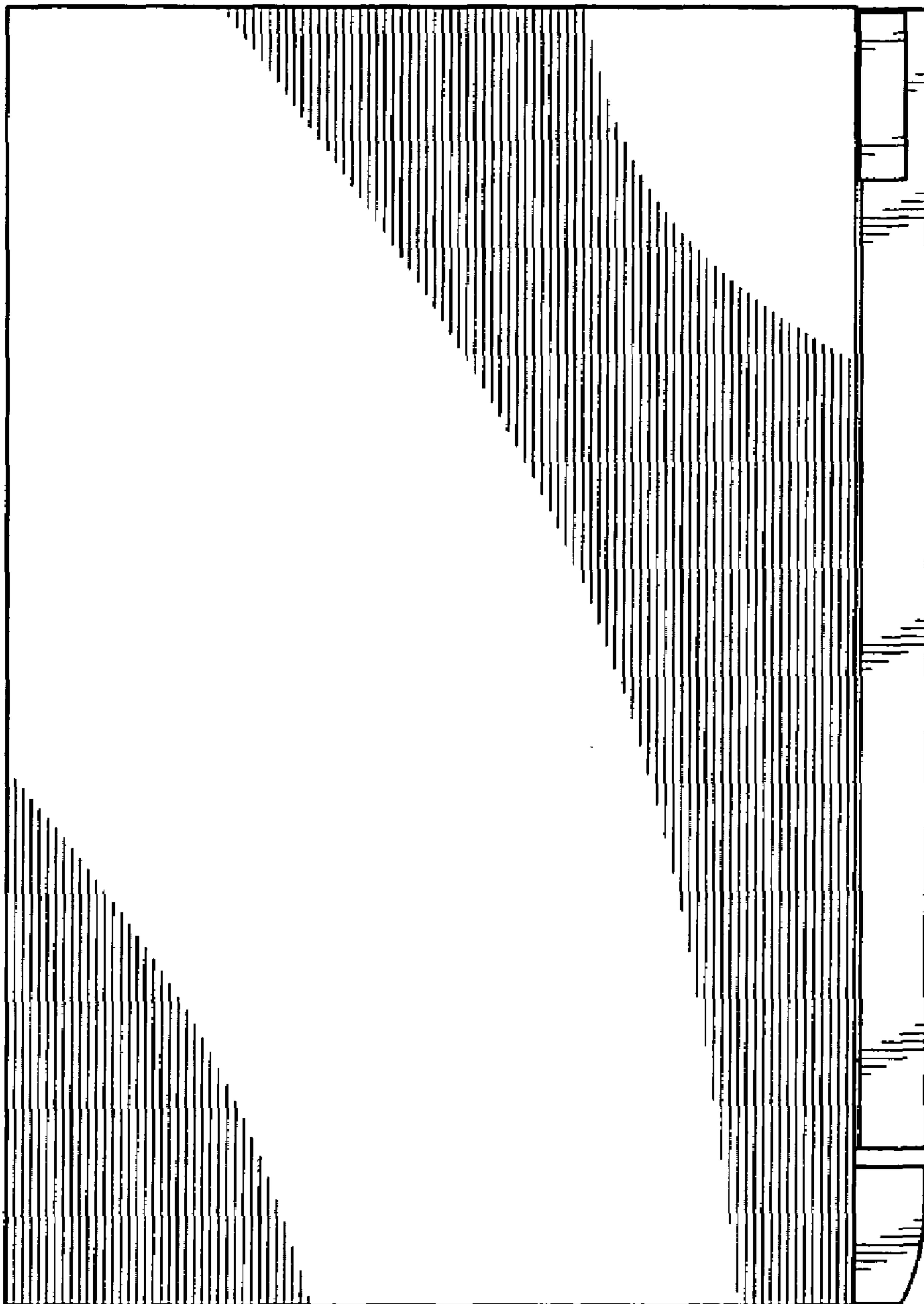


FIG. 5

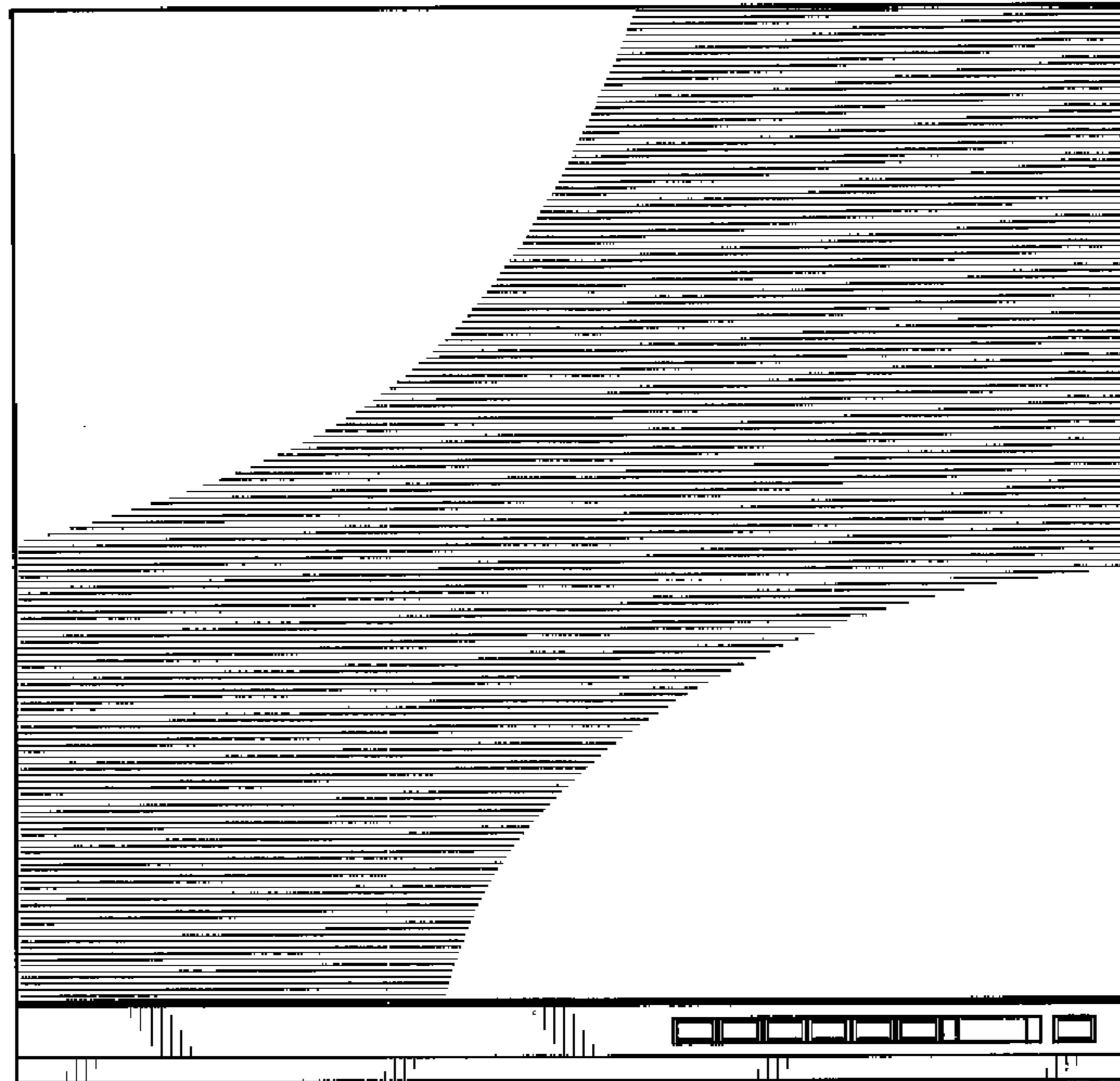


FIG. 6

