



US00D544646S

(12) **United States Design Patent**
Overend

(10) **Patent No.:** **US D544,646 S**

(45) **Date of Patent:** **** Jun. 12, 2007**

(54) **HAIR IRON**

(75) Inventor: **Paul Overend**, Riddlesden (GB)

(73) Assignee: **Jemella, Limited**, Silsden (GB)

(**) Term: **14 Years**

(21) Appl. No.: **29/246,625**

(22) Filed: **Apr. 27, 2006**

(30) **Foreign Application Priority Data**

Nov. 8, 2005 (EM) 429501-0002
Nov. 8, 2005 (EM) 429501-0001

(51) **LOC (8) Cl.** **28-03**

(52) **U.S. Cl.** **D28/35**

(58) **Field of Classification Search** 132/222-225,
132/227-229, 236, 245, 232, 269, 271; 219/222,
219/225, 226; D28/35
See application file for complete search history.

(56) **References Cited**

U.S. PATENT DOCUMENTS

D323,040 S * 1/1992 Smal D28/35
D424,742 S * 5/2000 Hirata D28/35
D485,011 S * 1/2004 Nam D28/35
D511,023 S * 10/2005 Cho D28/35
2002/0190047 A1 * 12/2002 Nam 219/222
2005/0081876 A1 * 4/2005 Choi 132/224
2006/0037625 A1 * 2/2006 Kayser et al. 132/224

FOREIGN PATENT DOCUMENTS

DE 19907721 A1 3/2000

EP 0352879 A2 1/1990
EP 1112701 A1 7/2001
EP 1402798 A1 3/2004
GB 2123286 A 2/1984
WO 9939608 A1 8/1999
WO 03039290 A2 5/2003
WO 03056971 A1 7/2003
WO 2004073446 A2 9/2004

OTHER PUBLICATIONS

NeoCurl Cordless Straightener—Retrieved online Sep. 26, 2006 from Salon Creative Pro [SCP] website using Internet URL: http://www.hairstuffdirect.co.uk/prod_neocurl.htm.
Global Beauty Ceramic Hair Straightener—Retrieved online Sep. 26, 2006 from folica.com website using Internet URL: http://www.folica.com/Global_Beauty_C_d1564.html.

* cited by examiner

Primary Examiner—Jennifer Rivard
(74) *Attorney, Agent, or Firm*—Adams Evans P.A.

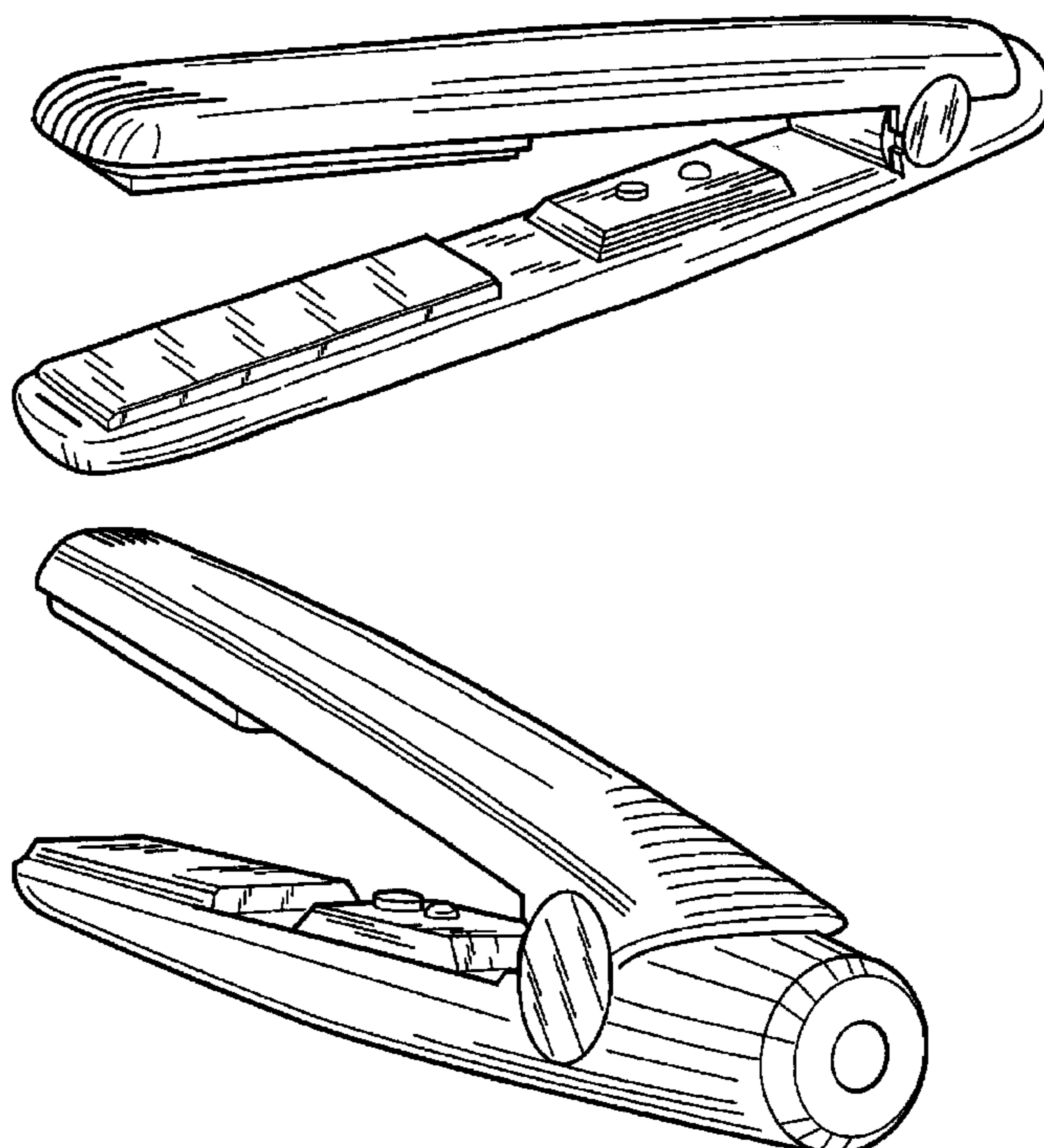
(57) **CLAIM**

I claim the ornamental design for a hair iron, as shown and described.

DESCRIPTION

FIG. 1 is a perspective view of a hair iron, showing my design;
FIG. 2 is another perspective view thereof;
FIG. 3 is yet another perspective view thereof; and,
FIG. 4 is a front elevation view thereof.

1 Claim, 2 Drawing Sheets



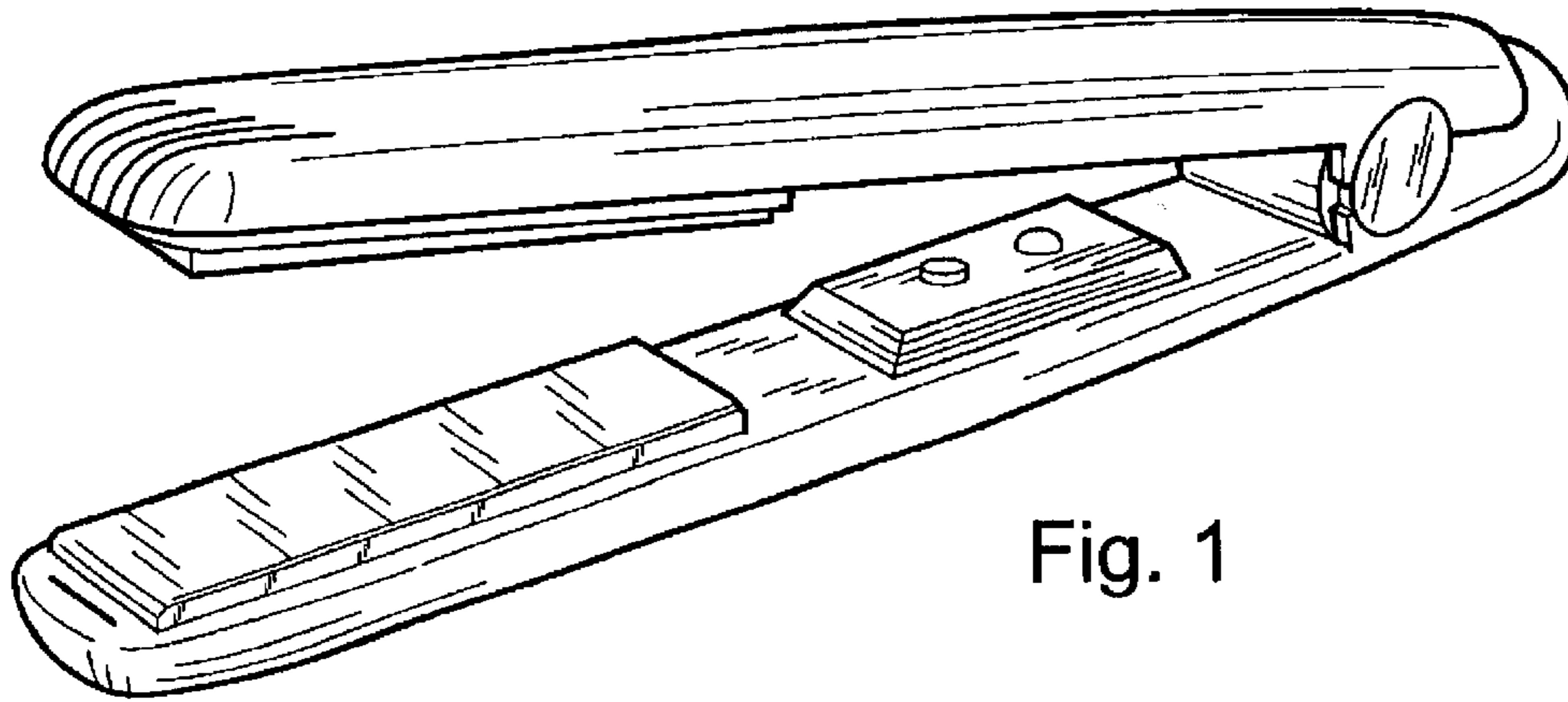


Fig. 1

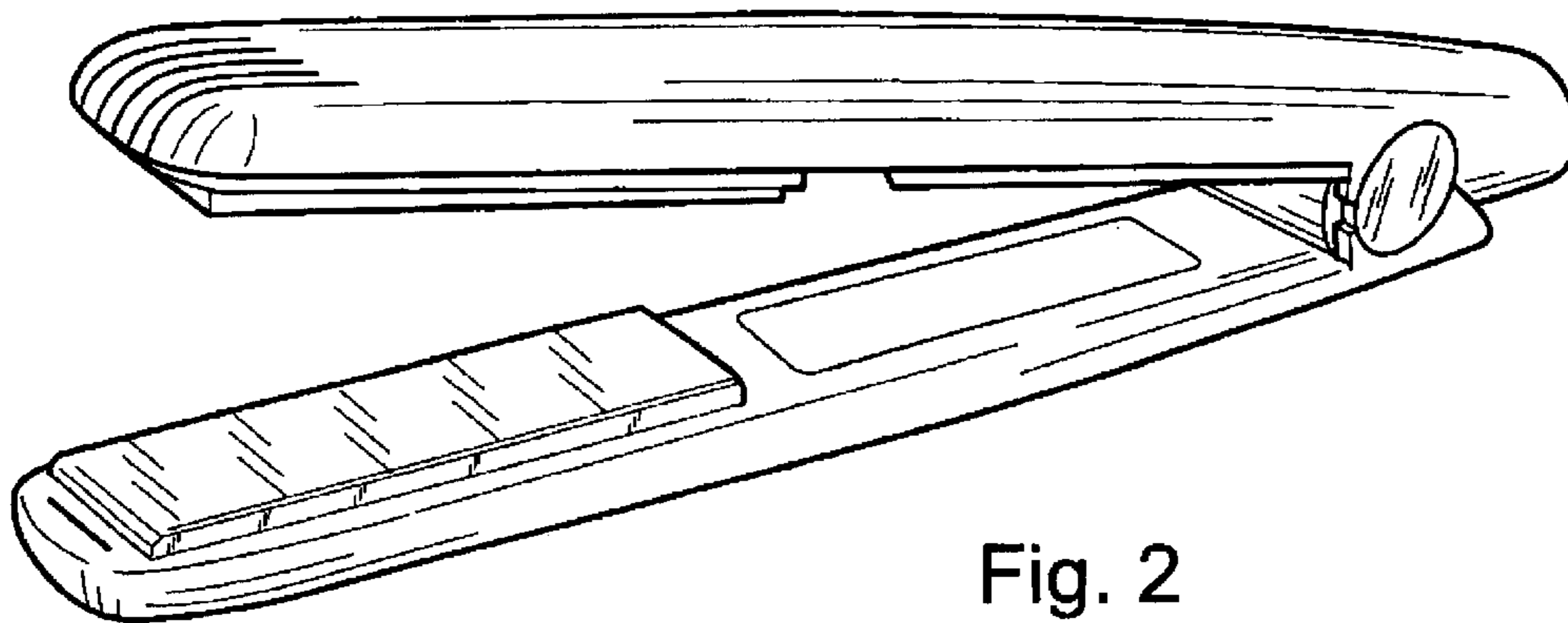


Fig. 2

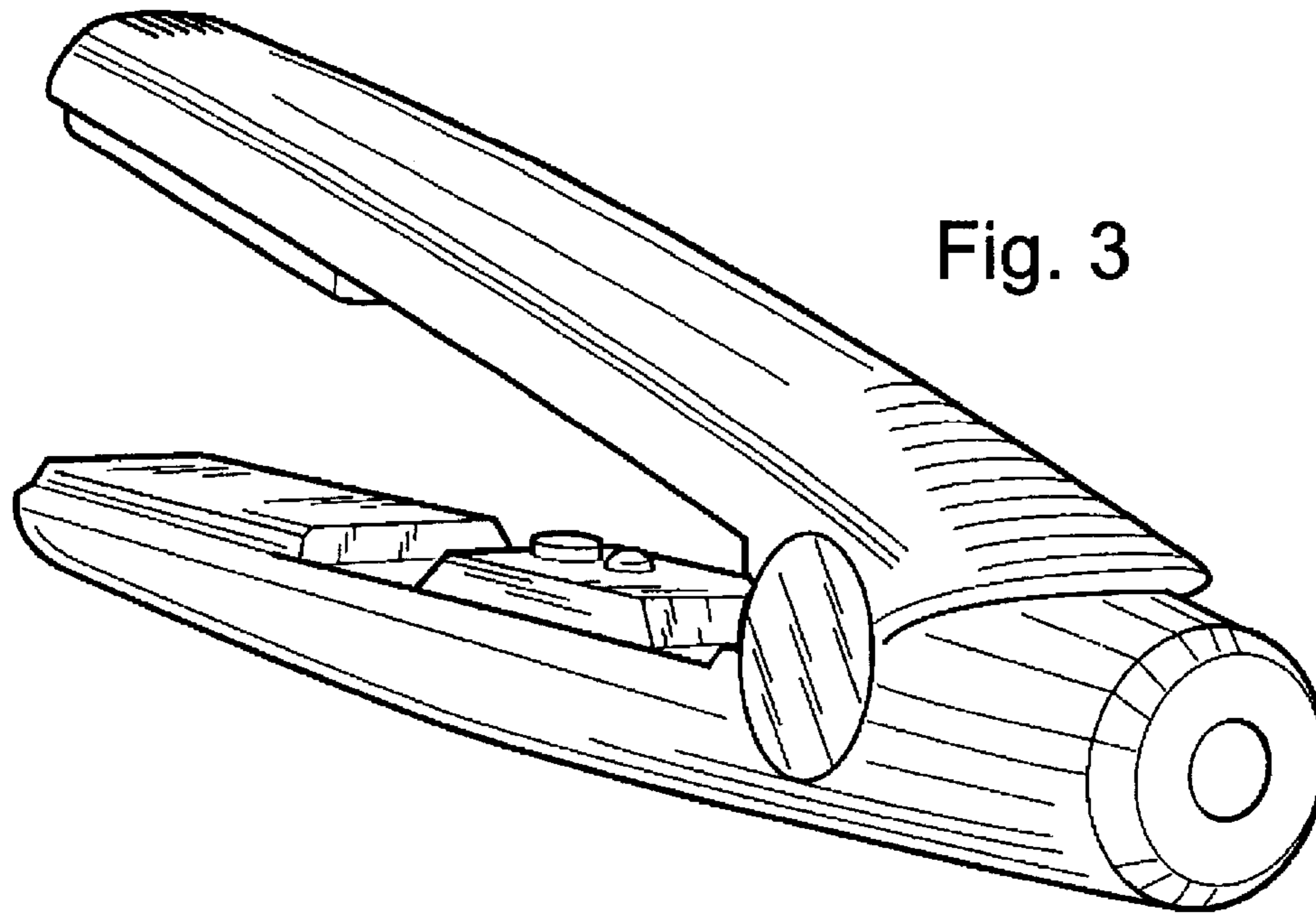


Fig. 3

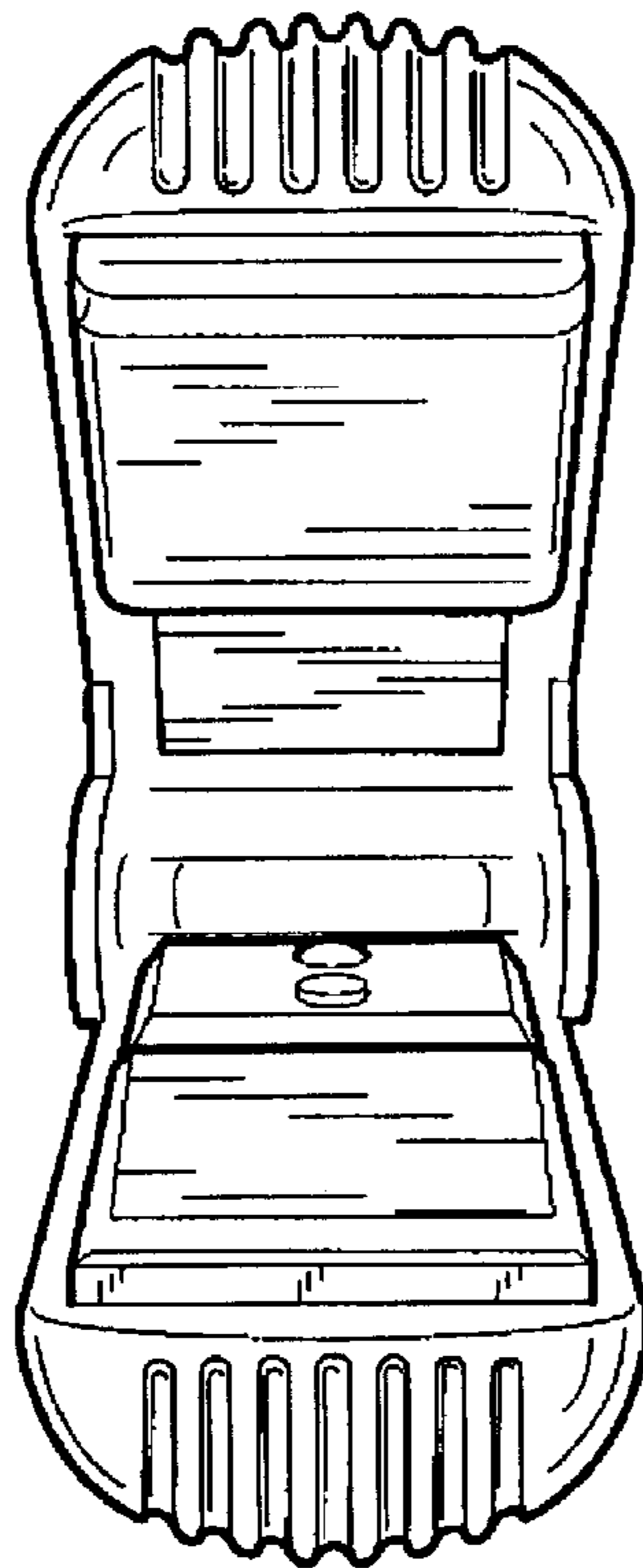


Fig. 4

UNITED STATES PATENT AND TRADEMARK OFFICE
CERTIFICATE OF CORRECTION

PATENT NO. : Des. 544,646 S
APPLICATION NO. : 29/246625
DATED : June 12, 2007
INVENTOR(S) : Paul Overend

Page 1 of 1

It is certified that error appears in the above-identified patent and that said Letters Patent is hereby corrected as shown below:

On the Title page item (73), delete "Jemella, Limited" and enter --Jemella Limited--.

Signed and Sealed this

Twenty-fourth Day of July, 2007

A handwritten signature in black ink on a light gray dotted background. The signature reads "Jon W. Dudas" in a cursive style.

JON W. DUDAS

Director of the United States Patent and Trademark Office