

US00D544639S

(12) **United States Design Patent**
Galipeau et al.

(10) **Patent No.:** **US D544,639 S**

(45) **Date of Patent:** **** Jun. 12, 2007**

(54) **OVAL LAMP DESIGN**

(75) Inventors: **Guy Galipeau**, Ste Thérèse (CA);
Michel Fortin, Ste-Marthe-sur-le-lac
(CA)

(73) Assignee: **Lumec Inc.**, Boisbriand, Quebec (CA)

(**) Term: **14 Years**

(21) Appl. No.: **29/226,406**

(22) Filed: **Mar. 29, 2005**

(51) **LOC (8) Cl.** **26-99**

(52) **U.S. Cl.** **D26/118**

(58) **Field of Classification Search** D26/65,
D26/63, 62, 60, 77, 24, 113, 118, 119, 123,
D26/124, 128; 362/217, 218, 220, 223, 253,
362/257, 260, 269, 277, 278, 279, 285, 290,
362/294, 317, 320, 341, 342, 345, 362
See application file for complete search history.

(56) **References Cited**

U.S. PATENT DOCUMENTS

- D105,721 S * 8/1937 Westfall D26/113
- 3,732,416 A * 5/1973 Audesse et al. 362/260
- D346,875 S * 5/1994 Rorke D26/128
- D351,919 S * 10/1994 Rorke D26/51
- D367,124 S * 2/1996 Sherman D26/63
- D389,949 S * 1/1998 Walker D26/118
- D392,407 S * 3/1998 Johnson et al. D26/67

- 6,089,732 A * 7/2000 Wright et al. 362/364
- 6,152,583 A * 11/2000 Langner 362/427
- 6,250,781 B1 * 6/2001 Straus et al. 362/375
- 6,481,875 B1 * 11/2002 Bryant 362/437
- D488,253 S * 4/2004 Chen D26/128

* cited by examiner

Primary Examiner—Freda S. Nunn

Assistant Examiner—Kevin K. Rudzinski

(74) *Attorney, Agent, or Firm*—John F. Salazar; Middleton
Reutlinger

(57) **CLAIM**

The ornamental design for an oval lamp design, as shown
and described.

DESCRIPTION

FIG. 1 is a perspective view of our oval lamp design;

FIG. 2 is a front view thereof;

FIG. 3 is a left side view thereof;

FIG. 4 is a right side view thereof;

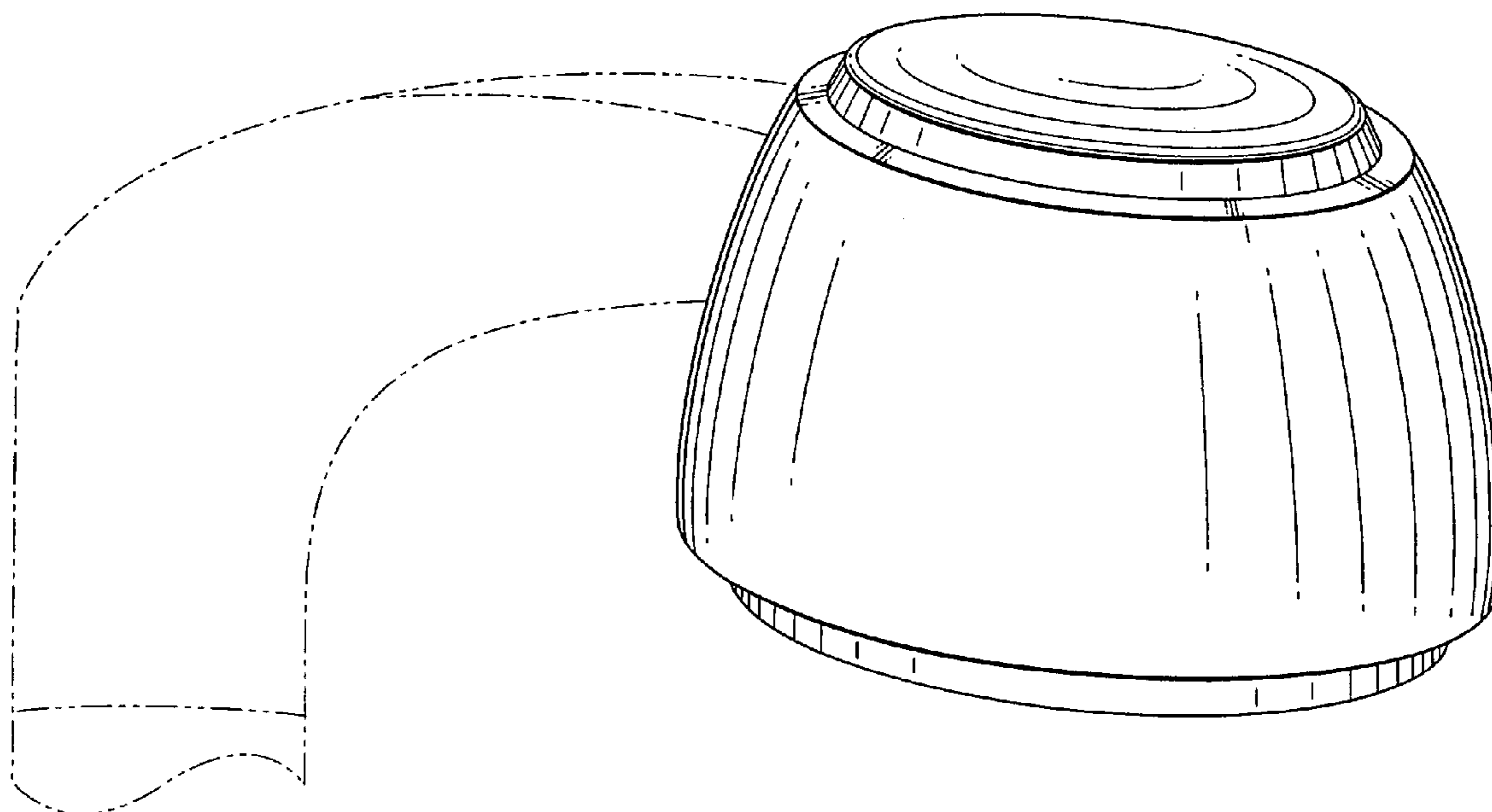
FIG. 5 is a top view thereof;

FIG. 6 is a bottom view thereof; and,

FIG. 7 is a back view thereof.

The broken lines are for illustrative purposes only and forms
no part of the claimed design.

1 Claim, 7 Drawing Sheets



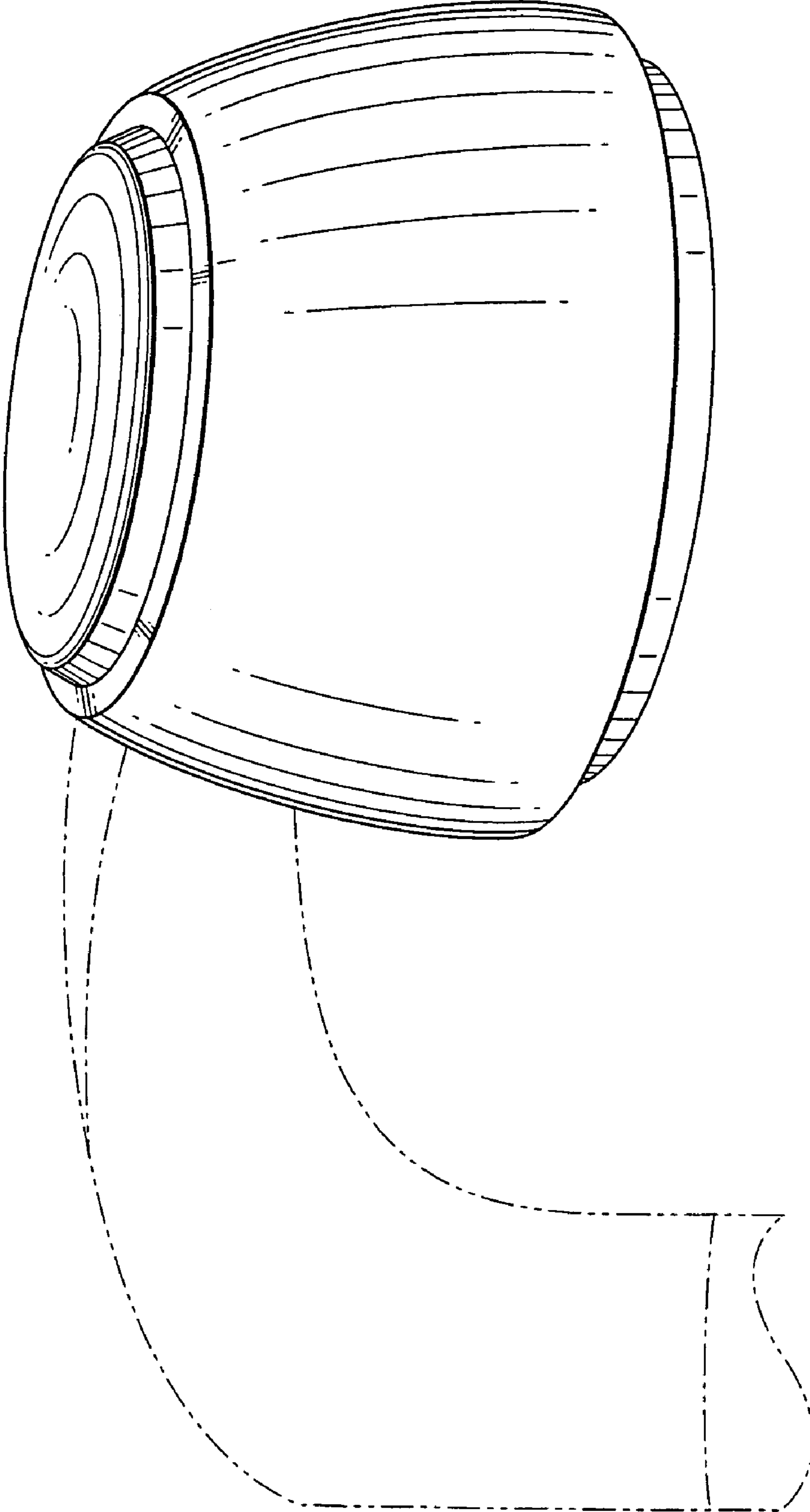


FIG. 1

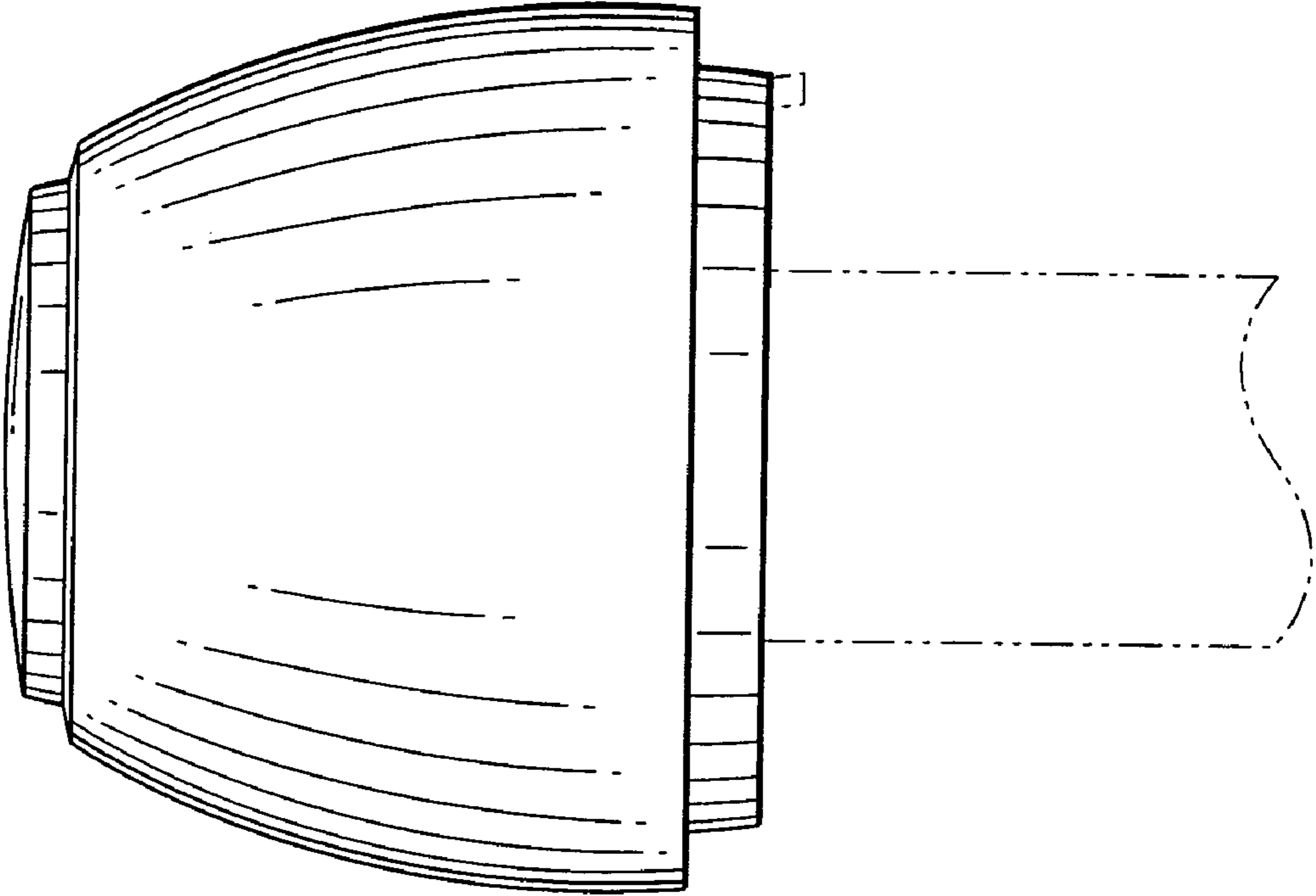


FIG. 2

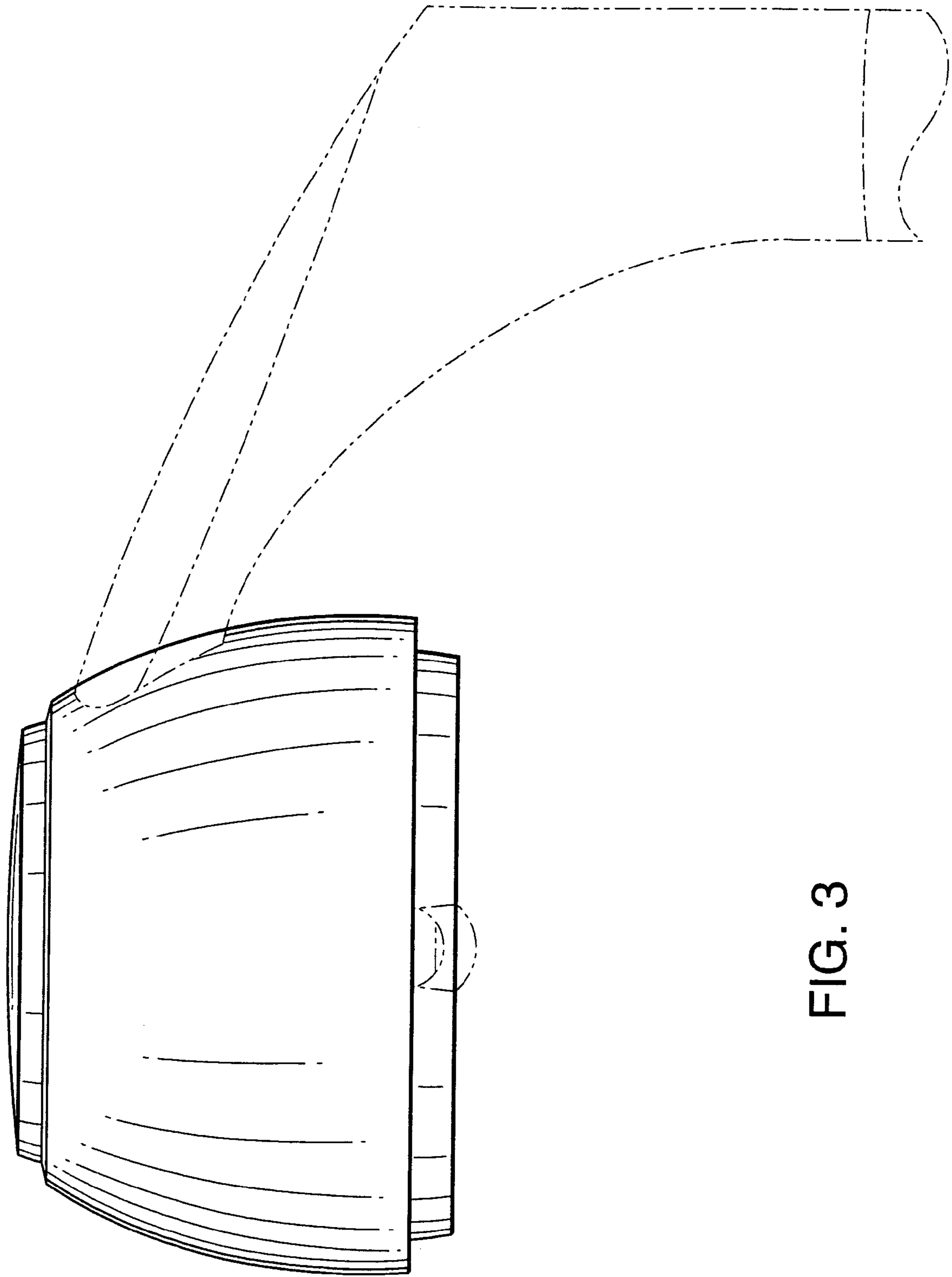


FIG. 3

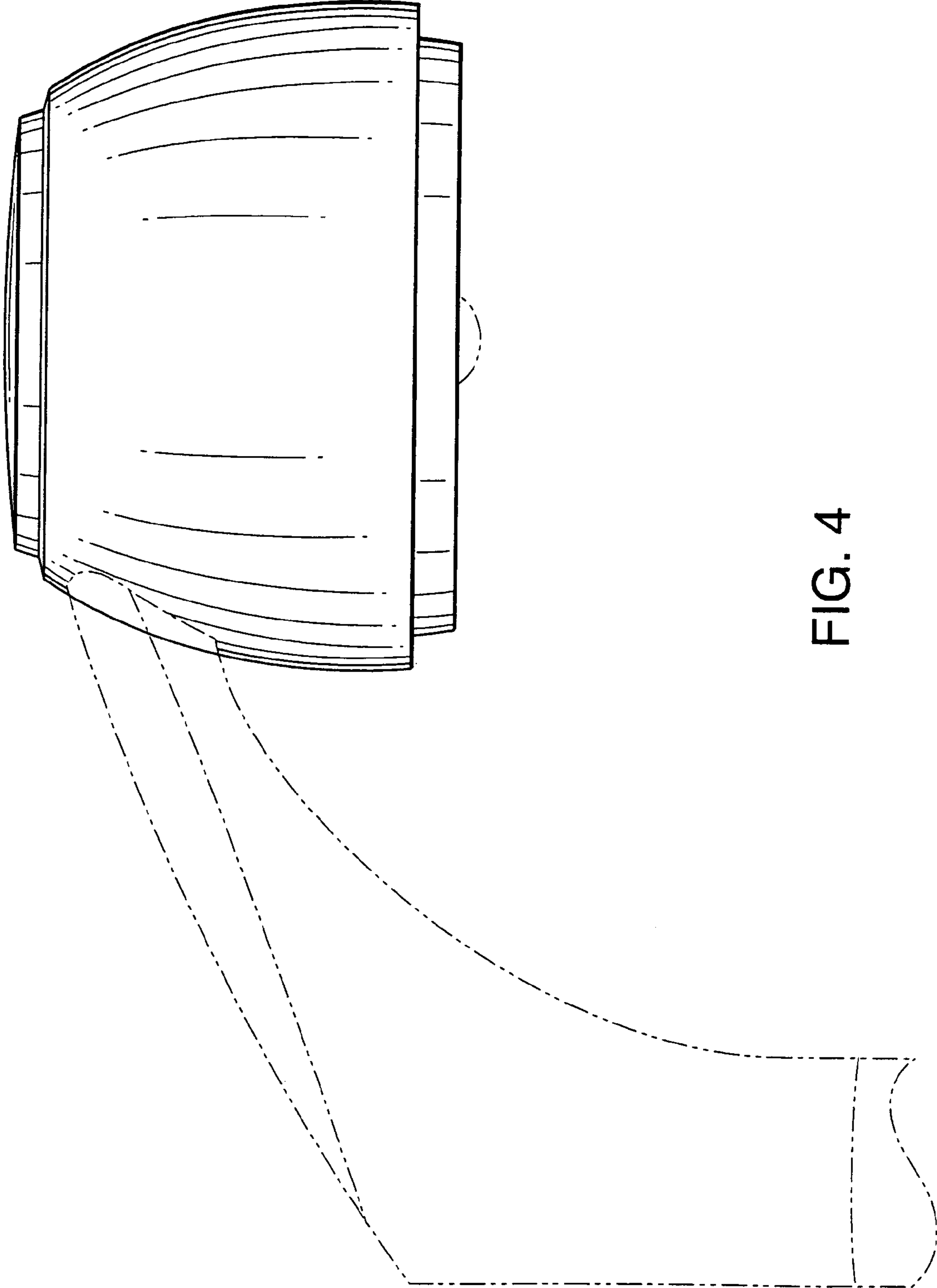


FIG. 4

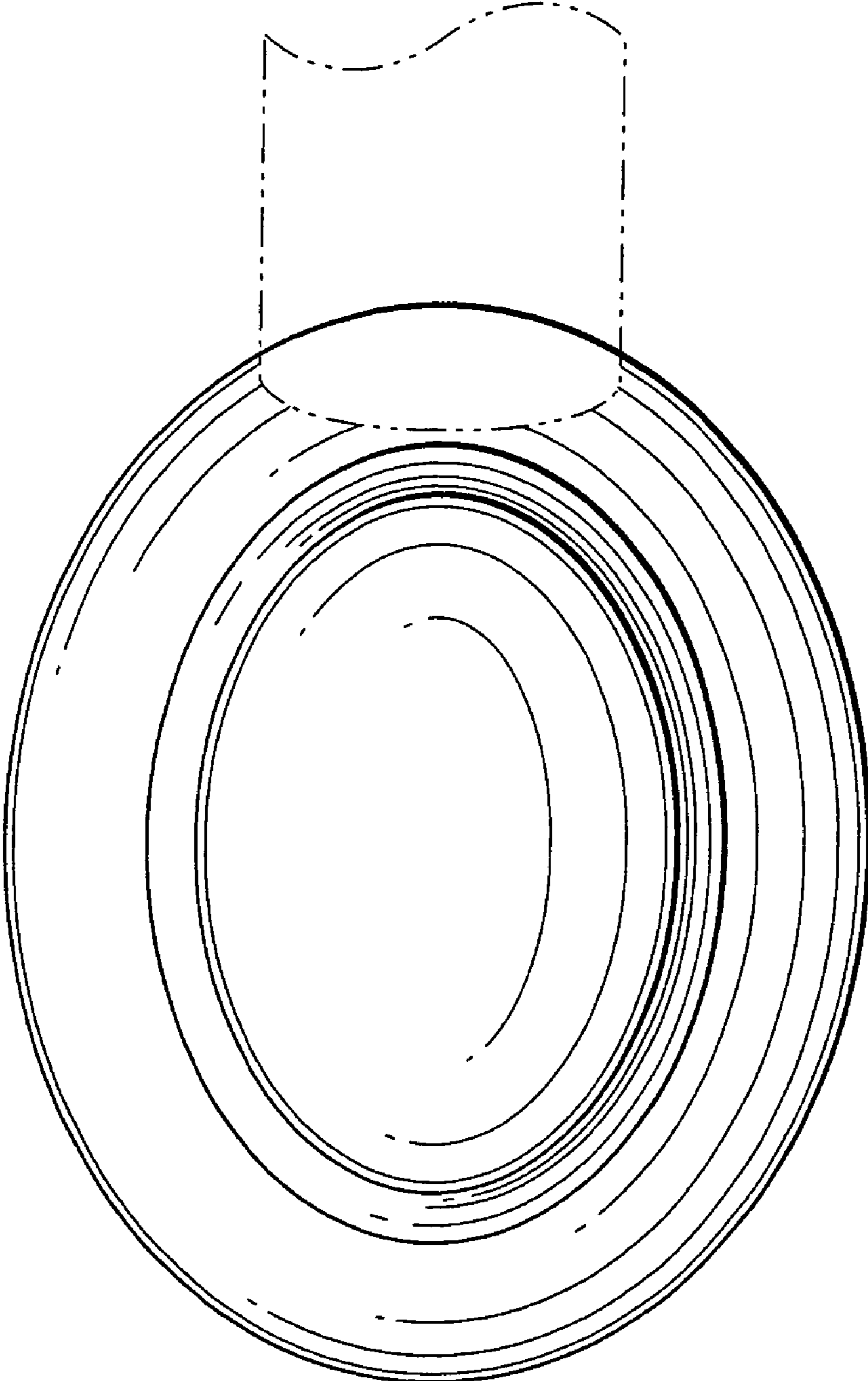


FIG. 5

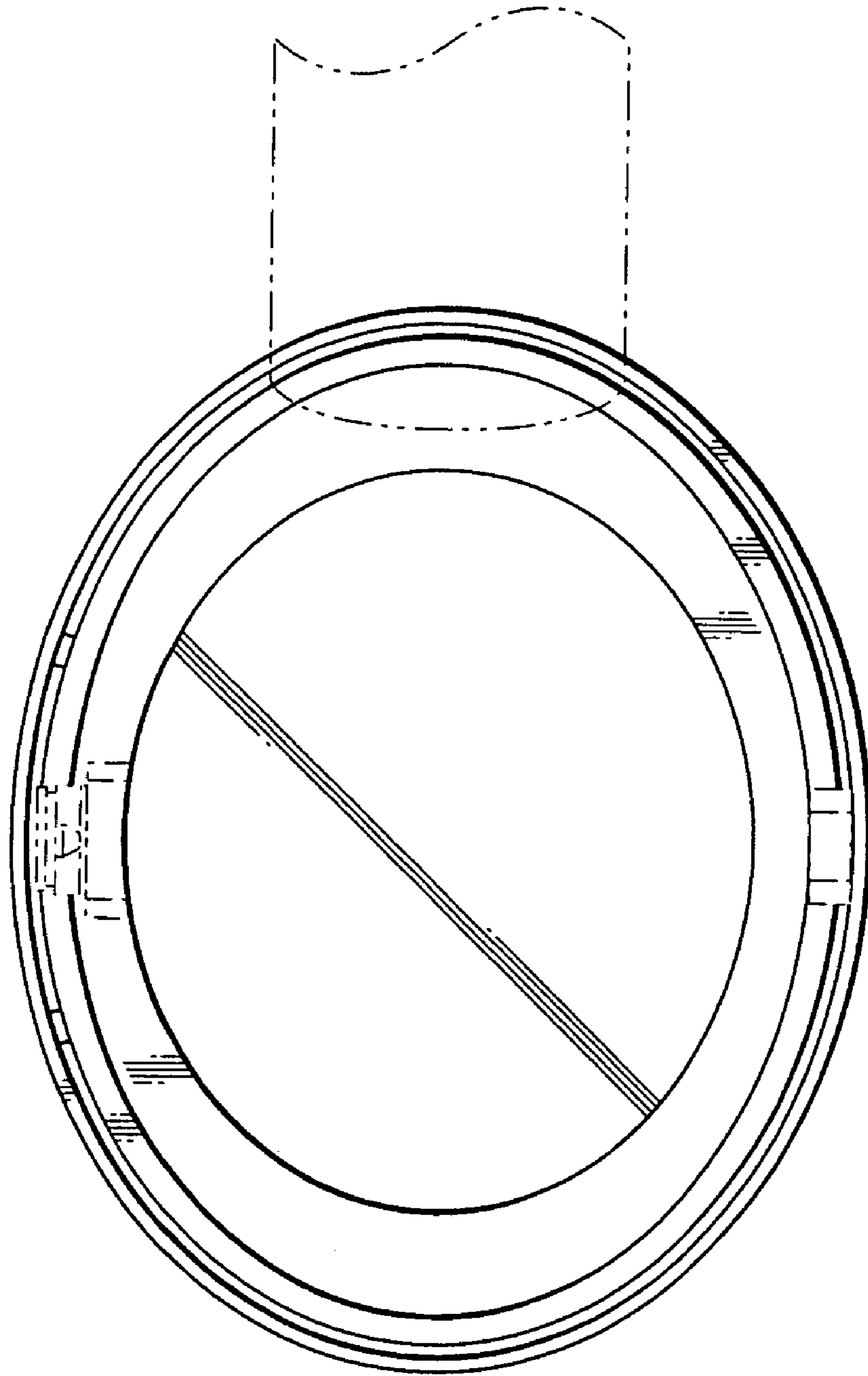


FIG. 6

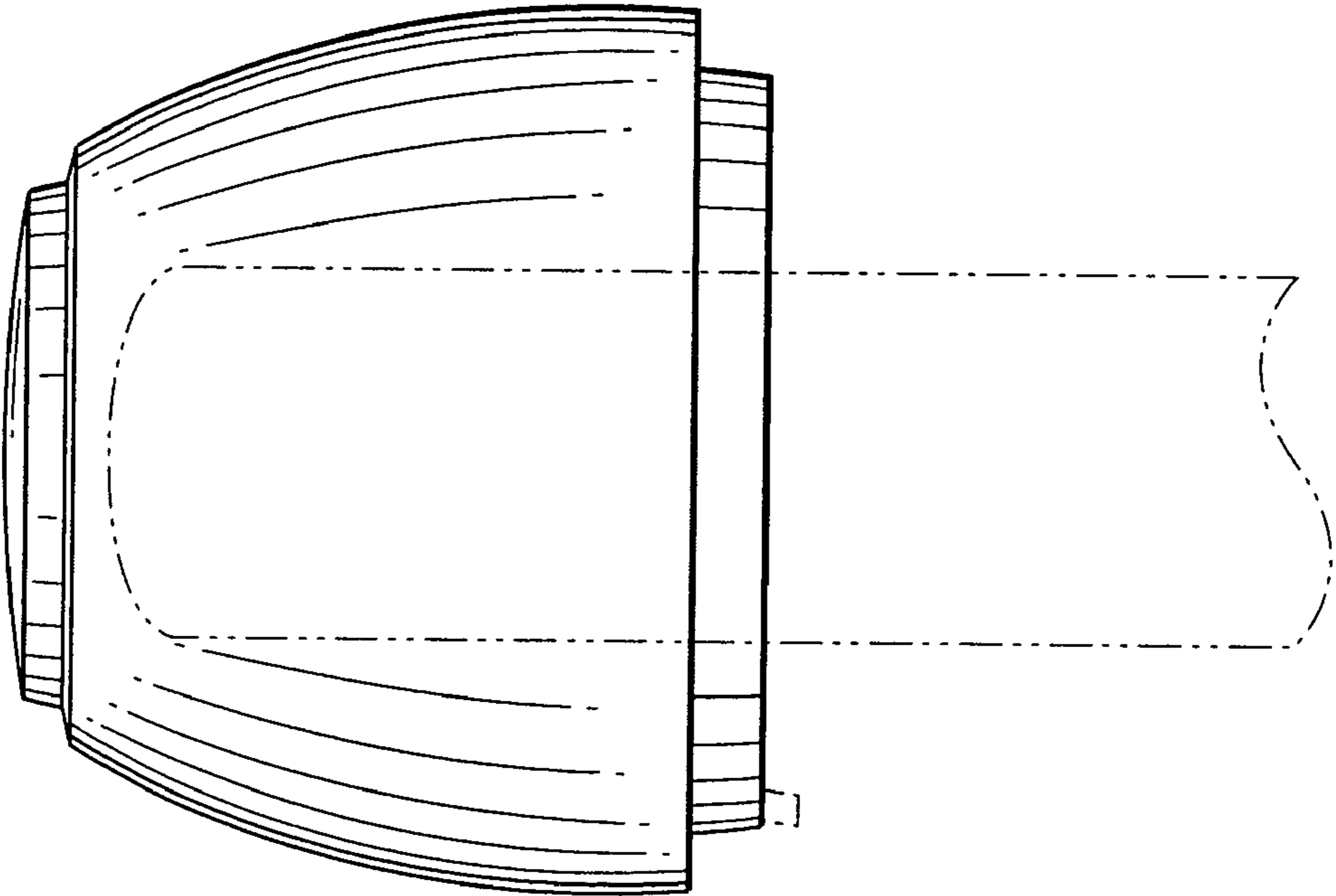


FIG. 7