

US00D544634S

(12) **United States Design Patent**  
**Mayfield, III et al.**

(10) **Patent No.:** **US D544,634 S**  
(45) **Date of Patent:** **\*\* Jun. 12, 2007**

(54) **LIGHT FIXTURE**

(75) Inventors: **John T. Mayfield, III**, Loganville, GA (US); **Carl T. Gould**, Boulder, CO (US); **Kevin Leadford**, Evergreen, CO (US); **Stephen H. Lydecker**, Snellville, GA (US)

(73) Assignee: **Acuity Brands, Inc.**, Atlanta, GA (US)

(\*\*) Term: **14 Years**

(21) Appl. No.: **29/215,588**

(22) Filed: **Oct. 21, 2004**

(51) **LOC (8) Cl.** ..... **26-99**

(52) **U.S. Cl.** ..... **D26/118**

(58) **Field of Classification Search** ..... D26/118, D26/76, 75, 152, 138, 77, 121, 74, 142, 128, D26/113, 119, 120, 122; 362/223, 263, 225, 362/339, 404, 219, 217, 364, 291, 328, 257, 362/260, 317, 326, 330, 341

See application file for complete search history.

(56) **References Cited**

**U.S. PATENT DOCUMENTS**

D85,382 S *	10/1931	Guth	.....	D26/24
1,888,103 A *	11/1932	Guth	.....	362/348
D125,001 S *	2/1941	Klingsick	.....	D26/78
D132,296 S *	5/1942	Hoeveler	.....	D26/122
D132,786 S *	6/1942	Netting	.....	D26/78
2,323,073 A *	6/1943	Netting	.....	362/225
2,339,100 A *	1/1944	Netting	.....	362/219
D156,743 S *	1/1950	Kennedy	.....	D26/59
2,852,663 A	9/1958	Stuffer et al.	.....	240/51.11
3,125,301 A *	3/1964	Slotter	.....	362/217
3,265,887 A	8/1966	Wince		
3,270,194 A *	8/1966	Lee	.....	362/218
3,838,268 A	9/1974	Fabbri	.....	240/9
3,860,903 A *	1/1975	Van Steenhoven	.....	362/279
4,499,529 A *	2/1985	Figuroa	.....	362/283
D284,110 S *	6/1986	Mullins	.....	D26/76
4,622,624 A *	11/1986	McCarthy et al.	.....	362/217
4,698,734 A	10/1987	Ngai	.....	362/225

4,799,136 A	1/1989	Molnar	.....	362/300
D300,873 S *	4/1989	Thompson et al.	.....	D26/74
5,062,030 A *	10/1991	Figuroa	.....	362/346
5,192,129 A *	3/1993	Figuroa	.....	362/346
D348,950 S *	7/1994	Herst et al.	.....	D26/85
D351,481 S *	10/1994	Cole, Jr.	.....	D26/76
5,555,162 A *	9/1996	Shemitz	.....	362/225
5,570,947 A *	11/1996	Felland	.....	362/148
5,746,502 A	5/1998	Huang	.....	362/223
D397,819 S	9/1998	Thorton, Jr.	.....	D26/77
D399,586 S *	10/1998	Ranieri et al.	.....	D26/74
D407,473 S *	3/1999	Wimbock	.....	D23/328
D411,641 S *	6/1999	Ranieri et al.	.....	D26/74
D413,402 S *	8/1999	Ranieri et al.	.....	D26/74

(Continued)

**OTHER PUBLICATIONS**

Peerless-Lighting, Parallels, pp. 1-2 (2005).

(Continued)

*Primary Examiner*—Freda S. Nunn

*Assistant Examiner*—Kevin K. Rudzinski

(74) *Attorney, Agent, or Firm*—Needle & Rosenberg, P.C.

(57) **CLAIM**

The ornamental design for a light fixture, as shown and described.

**DESCRIPTION**

FIG. 1 is a perspective view of a light fixture of the present invention;

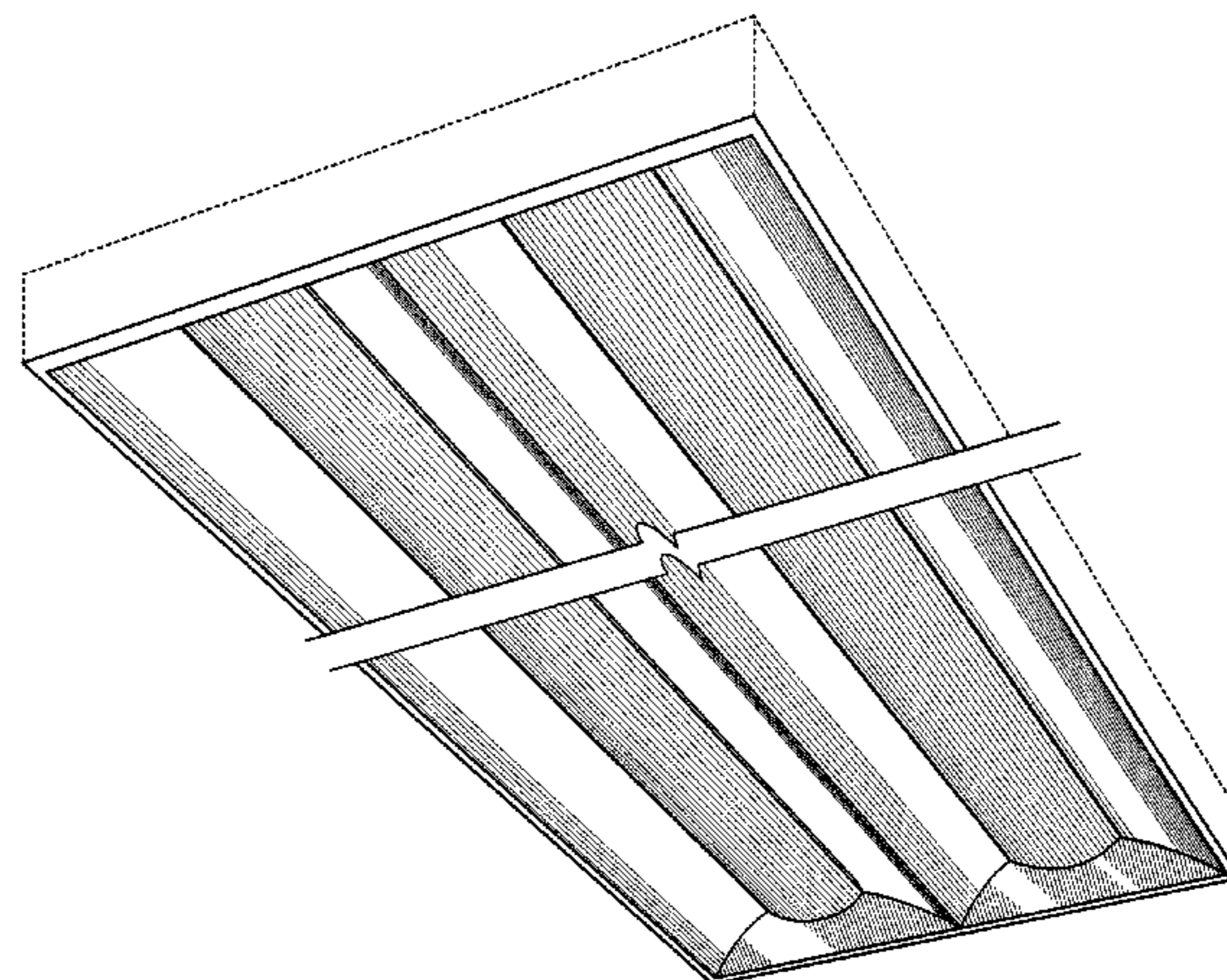
FIG. 2 is a bottom plan view of the light fixture of FIG. 1;

FIG. 3 is a cross-sectional view of the light fixture of FIG. 1 taken along line 3-3 in FIG. 2; and,

FIG. 4 is a cross-sectional view of the light fixture of FIG. 1 taken along line 4-4 in FIG. 2.

The broken lines are shown for illustrative purposes only and form no part of the claimed design. The top of the light fixture is unornamented and forms no part of the design.

**1 Claim, 4 Drawing Sheets**



U.S. PATENT DOCUMENTS

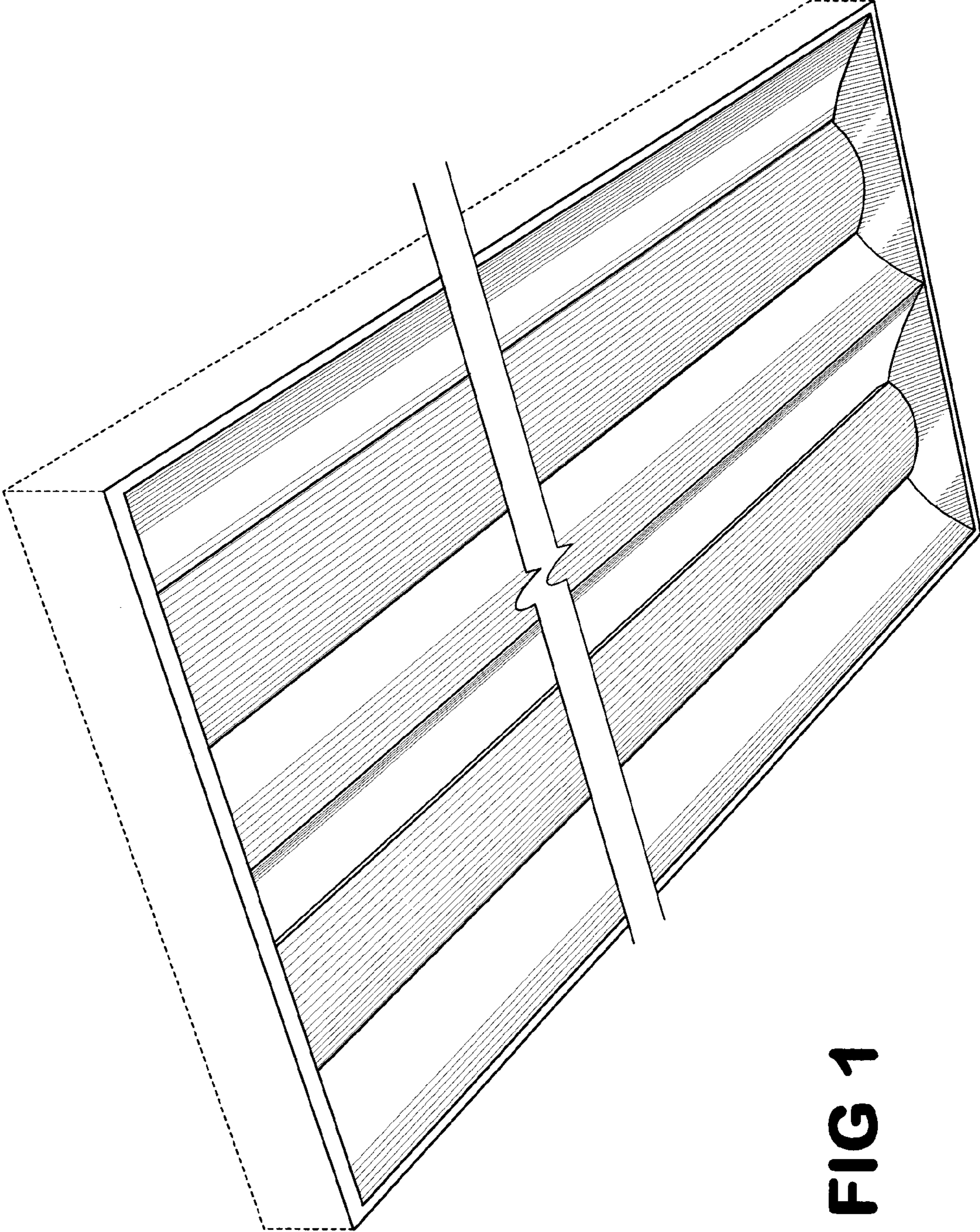
5,971,571	A	10/1999	Rose	362/346
5,988,829	A	11/1999	Holder	362/217
5,988,836	A	11/1999	Swarens	362/364
6,102,550	A	8/2000	Edwards, Jr.	362/221
D440,341	S	4/2001	Arumugasaamy	D26/85
6,238,065	B1	5/2001	Jones	362/339
6,280,052	B1	8/2001	White	362/225
6,419,375	B1	7/2002	Leadford et al.	362/297
D461,267	S	8/2002	Arumugasaamy	D26/85
6,454,442	B1	9/2002	Changaris	362/297
6,485,166	B1	11/2002	Fouke	362/340
D467,676	S	12/2002	Packer et al.	D26/72
D467,677	S	12/2002	Ries et al.	D26/88
6,505,953	B1	1/2003	Dahlen	362/217
6,505,959	B2	1/2003	Masaki et al.	362/339
6,530,681	B2	3/2003	Sieczkowski	362/404
6,537,649	B1	3/2003	Martin et al.	428/172
D472,665	S	4/2003	Herst et al.	D26/113
D472,666	S	4/2003	Herst et al.	D26/113
D472,667	S	4/2003	Herst et al.	D26/113
D472,668	S	4/2003	Herst et al.	D26/113
D473,007	S	4/2003	Herst et al.	D26/113
D473,335	S	4/2003	Bohard et al.	D26/113
6,540,382	B1	4/2003	Simon	362/339
D477,891	S	7/2003	Fritze et al.	D26/74
D480,168	S	9/2003	Herst et al.	D26/77
D480,172	S	9/2003	Herst et al.	D26/121
6,612,718	B1	9/2003	Packer et al.	362/267
6,612,723	B2	9/2003	Futhey et al.	362/339
D480,500	S	10/2003	Herst et al.	D26/121
D480,501	S	10/2003	Herst et al.	D26/121
D480,502	S	10/2003	Herst et al.	D26/121
D480,503	S	10/2003	Herst et al.	D26/121
D480,530	S	10/2003	Herst et al.	121/77
D480,830	S	10/2003	Sieczkowski	D26/118

D481,488	S	10/2003	Herst et al.	D26/121
D481,489	S	10/2003	Cline et al.	D26/128
6,637,912	B2	10/2003	Arumugasaamy et al.	362/327
D481,820	S	11/2003	Watt	D26/77
6,652,118	B2	11/2003	Shemitz et al.	362/225
D483,510	S	12/2003	Fritze et al.	D26/75
6,655,819	B2	12/2003	Loga et al.	362/263
D485,932	S	1/2004	Crane	D26/76
D487,527	S	3/2004	Sieczkowski	D26/76
6,709,131	B1	3/2004	Herst et al.	362/223
6,726,345	B2	4/2004	Arumugasaamy et al.	362/327
D496,121	S *	9/2004	Santoro	D26/74
2002/0080615	A1	6/2002	Marshall et al.	362/333

OTHER PUBLICATIONS

- Lithonia Lighting, an Acuity Brands Company, Avante, Recessed Direct/Indirect Lighting, pp. 1-4 (1996).
- Lithonia Lighting, an Acuity Brands Company, Avante; Direct/Indirect General Lighting System, pp. 1-2 (1995).
- Lightolier, CFI Fluorescent, Alter Soft Lights, 1-8 (1996).
- Alter, pp. 1-6 (1994).
- Lithonia Lighting, an Acuity Brands Company, Product Selection Guide, 8<sup>th</sup> Edition, pp. 1-620 (2003).
- Lithonia Lighting, an Acuity Brands Company, Avante Recessed Direct/Indirect Lighting, pp. 1-3 (1997).
- Lithonia Lighting, an Acuity Brands Company, Architectural Fluorescent Recessed Direct/Indirect Lighting, pp. 1-13 (1999).
- Genlyte/Thomas, Lightolier, Alter Soft Lights, pp. 1-67 (2003).
- Cooper Lighting, Metalux, pp. 1-8 (1999).
- Columbia Lighting, Stratus, pp. 1-9, (1998).
- Focal Point, Luna, pp. 1-5 (1997).
- Lithonia Lighting, an Acuity Brands Company, Direct/Indirect Lighting, pp. 1-15 (2002).
- Lithonia Lighting, an Acuity Brands Company, Product Selection Guide, 8<sup>th</sup> ed. pp. 14-93, 112-115.

\* cited by examiner



**FIG 1**

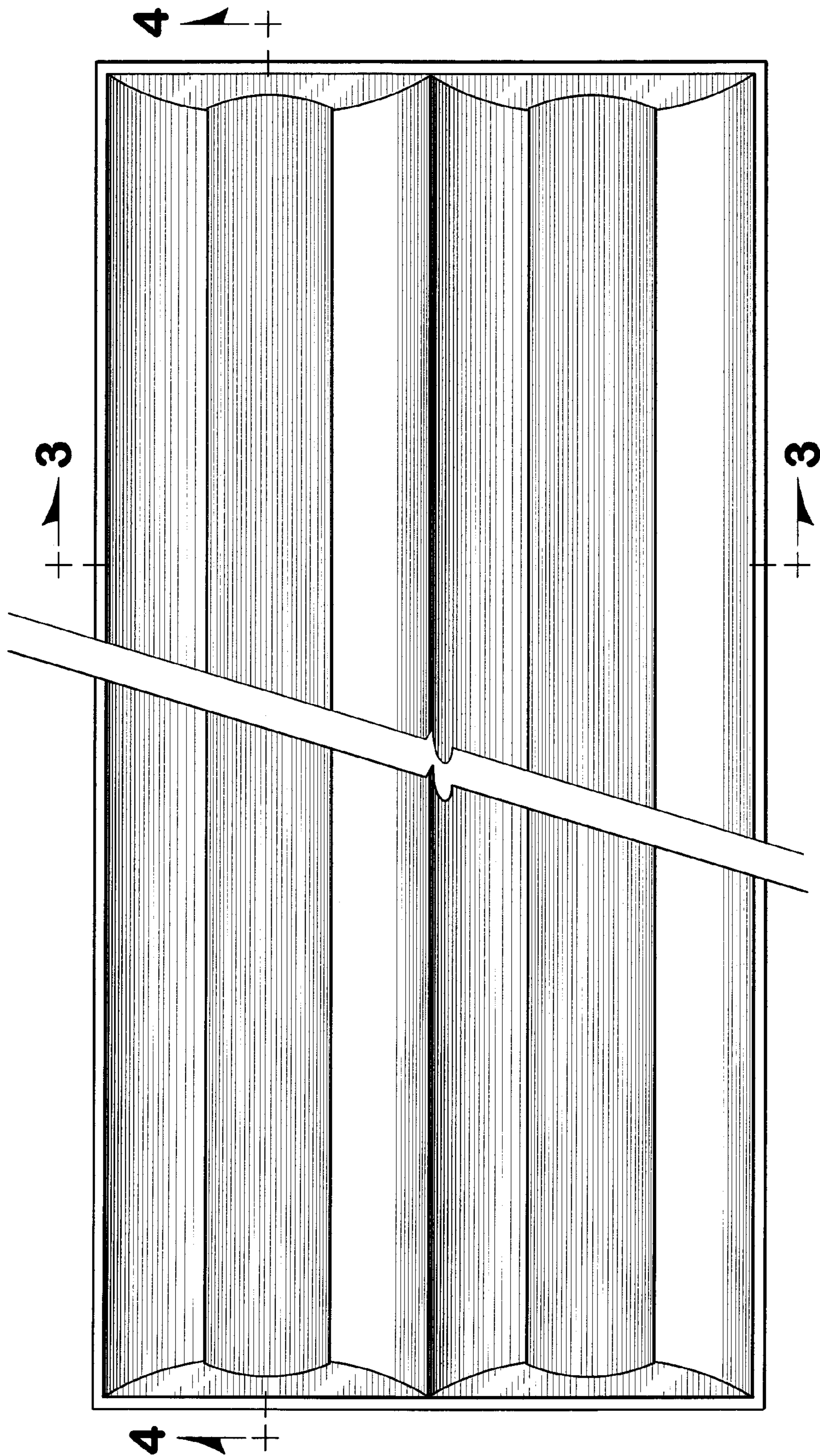
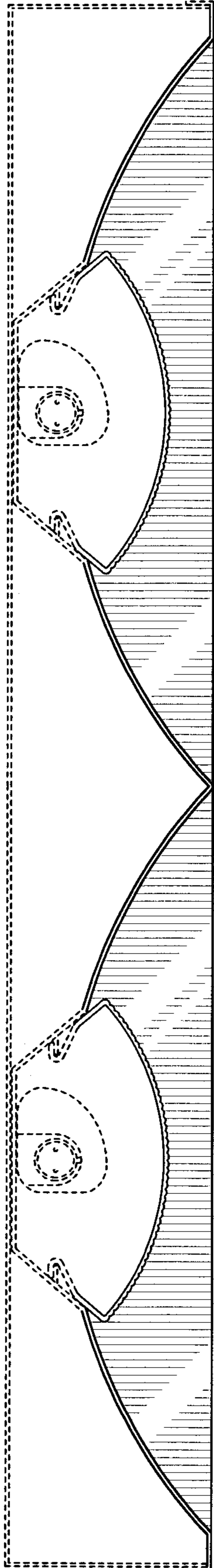
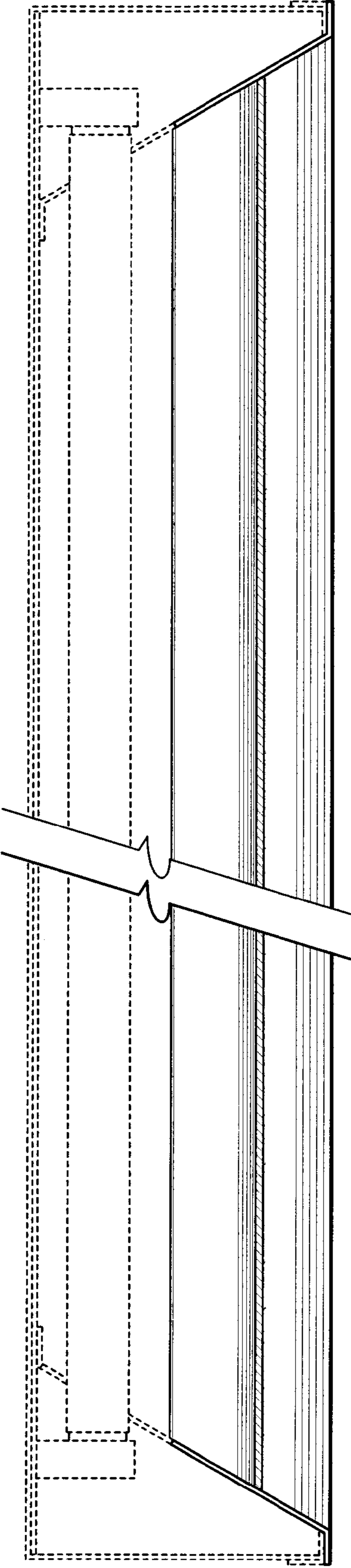


FIG 2



**FIG 3**



**FIG 4**