



US00D544629S

(12) **United States Design Patent**
Benensohn

(10) **Patent No.:** **US D544,629 S**

(45) **Date of Patent:** **** Jun. 12, 2007**

(54) **LIGHTING FIXTURE**

(75) Inventor: **Sanford H. Benensohn**, Valencia, CA
(US)

(73) Assignee: **Lusa Lighting, Inc.**, Valencia, CA (US)

(**) Term: **14 Years**

(21) Appl. No.: **29/258,882**

(22) Filed: **May 1, 2006**

(51) **LOC (8) Cl.** **26-03**

(52) **U.S. Cl.** **D26/79; D26/88**

(58) **Field of Classification Search** D26/59,
D26/85, 88, 89, 91, 128, 130-136, 79; D23/377,
D23/379, 411; 416/5; 362/147, 350, 364,
362/365, 404, 406, 408, 216

See application file for complete search history.

(56) **References Cited**

U.S. PATENT DOCUMENTS

D153,597 S *	5/1949	Gangbin	D26/79
2,538,681 A *	1/1951	Gangbin	362/216
2,656,453 A *	10/1953	Segil	362/216
2,688,690 A *	9/1954	Lane	362/216

2,878,372 A *	3/1959	Fry	362/216
2,896,066 A *	7/1959	Quetin	362/33
3,742,208 A *	6/1973	Mills	362/216
4,282,563 A *	8/1981	Ohta et al.	362/216
4,831,505 A *	5/1989	Van Norman	362/216
D386,805 S *	11/1997	Bonnette et al.	D26/74
D475,802 S *	6/2003	Homann	D26/74
6,705,747 B2 *	3/2004	Caferro et al.	362/291
D509,016 S *	8/2005	Benghozi	D26/74

* cited by examiner

Primary Examiner—Clare E Heflin

(74) *Attorney, Agent, or Firm*—Michael A. Painter

(57) **CLAIM**

The ornamental design for a lighting fixture, as shown and described.

DESCRIPTION

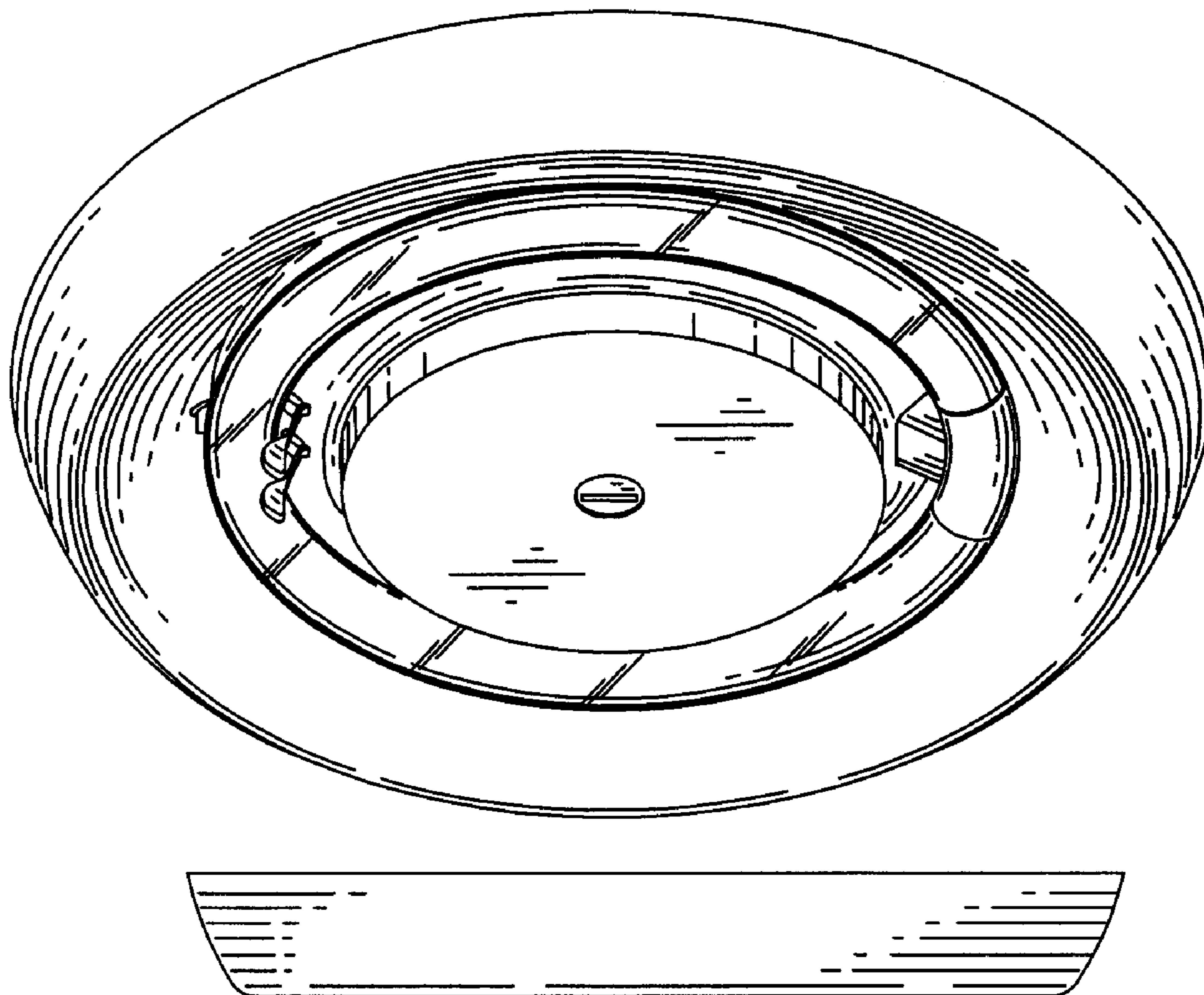
FIG. 1 is a bottom perspective view of a lighting fixture illustrating my new design;

FIG. 2 is a side elevation view thereof;

FIG. 3 is a top plan view thereof; and,

FIG. 4 is a bottom plan view thereof.

1 Claim, 2 Drawing Sheets



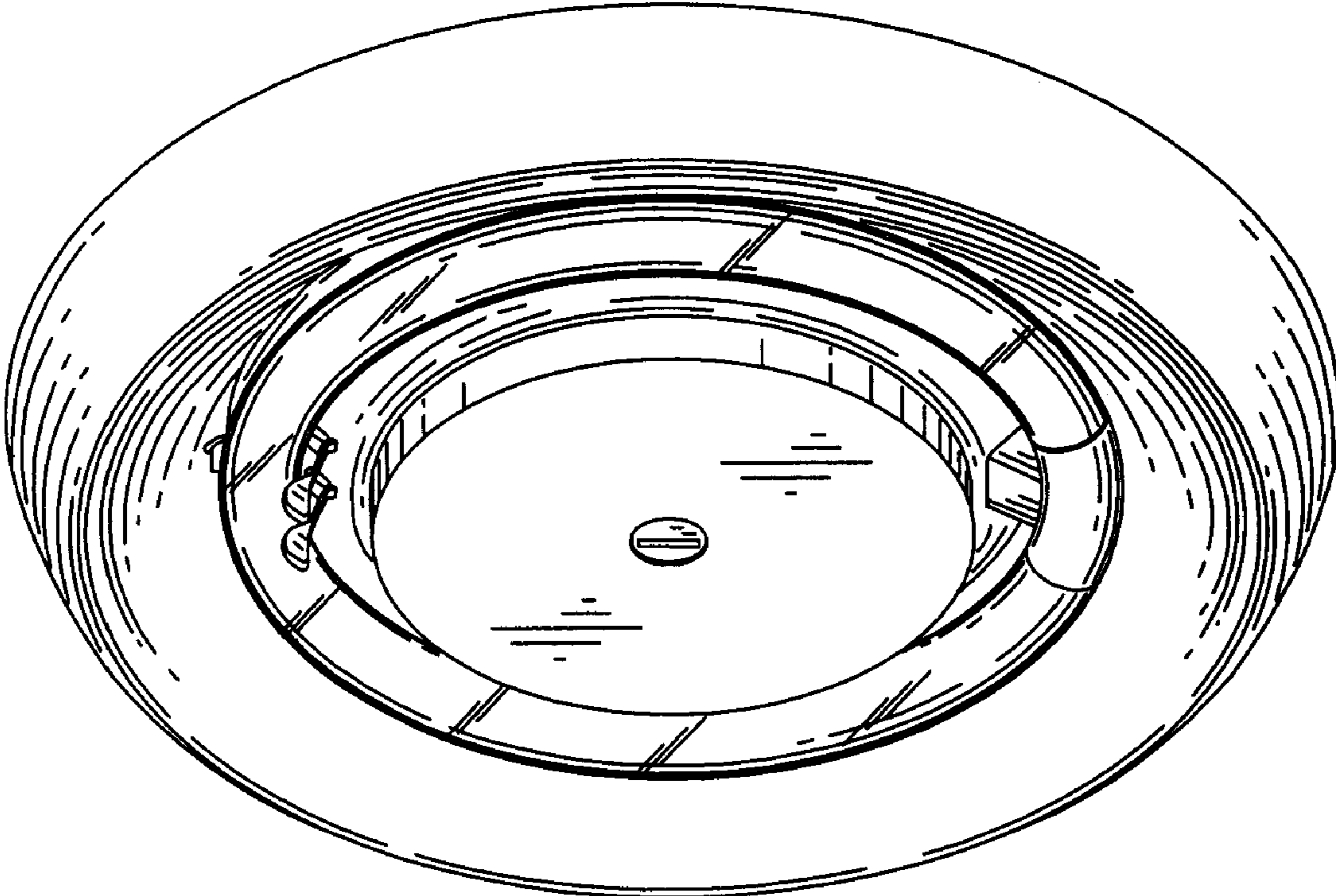


Fig. 1

Fig. 3

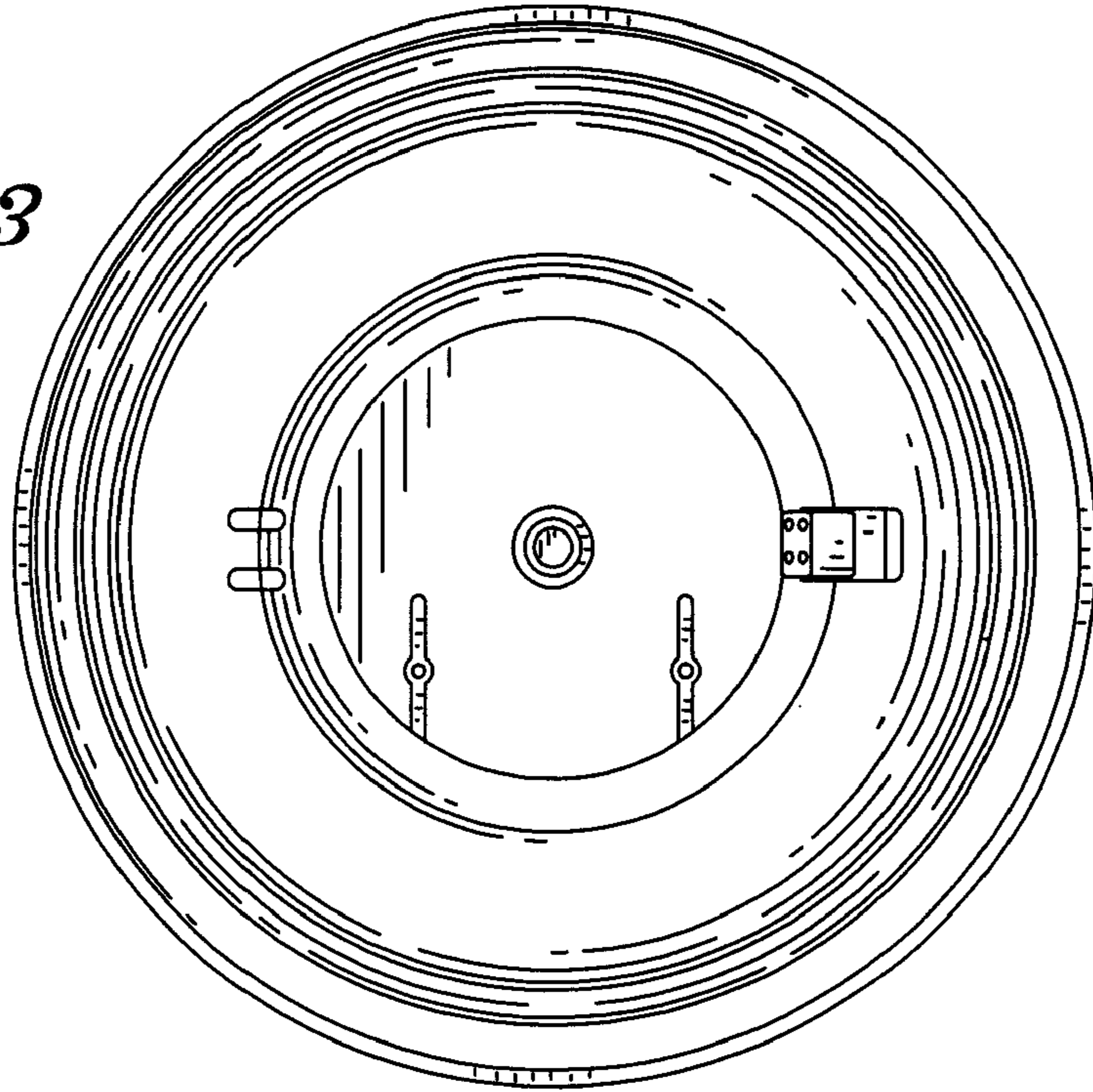


Fig. 2

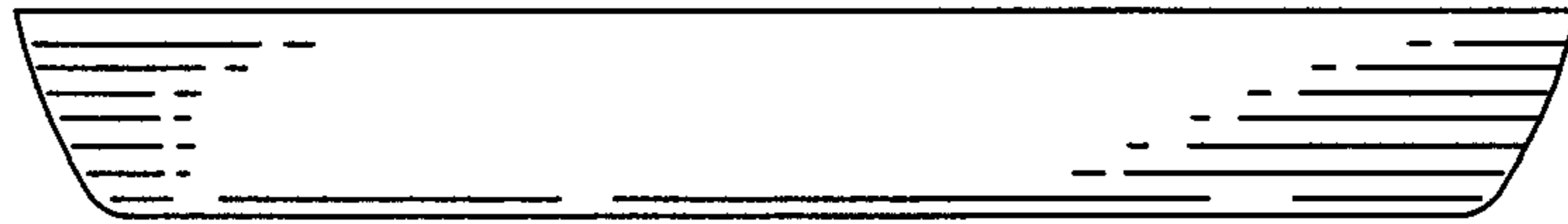


Fig. 4

