



US00D544628S

(12) **United States Design Patent**
Quintal

(10) **Patent No.:** **US D544,628 S**

(45) **Date of Patent:** **** Jun. 12, 2007**

(54) **LAMP SUPPORT**

(75) Inventor: **Alain Quintal**, 4745 Road 125,
Rawdon, Quebec (CA) J0K 1S0

(73) Assignee: **Alain Quintal**, St-Léonard, Québec
(CA)

(**) Term: **14 Years**

(21) Appl. No.: **29/247,285**

(22) Filed: **Jul. 14, 2006**

(30) **Foreign Application Priority Data**

Feb. 21, 2006 (CA) 114586

(51) **LOC (8) Cl.** **26-03**

(52) **U.S. Cl.** **D26/76**

(58) **Field of Classification Search** D26/72,
D26/74-79; 362/217-225

See application file for complete search history.

(56) **References Cited**

U.S. PATENT DOCUMENTS

D364,478 S * 11/1995 Pesau D26/76

D397,819 S * 9/1998 Thorton, Jr. D26/77
D463,601 S * 9/2002 Ludwig D26/76
D465,049 S * 10/2002 Ludwig D26/78
D483,510 S * 12/2003 Fritz et al. D26/75
6,655,819 B2 * 12/2003 Loga et al. 362/263
6,746,133 B2 * 6/2004 Loga et al. 362/147
D511,221 S * 11/2005 Zucker D26/76

* cited by examiner

Primary Examiner—Louis S. Zarfaz

Assistant Examiner—Susan E. Krakower

(74) *Attorney, Agent, or Firm*—Robert Brouillette;
Brouillette & Partners

(57) **CLAIM**

The ornamental design for a lamp support, as shown.

DESCRIPTION

FIG. 1 is a front elevational view of the lamp support;

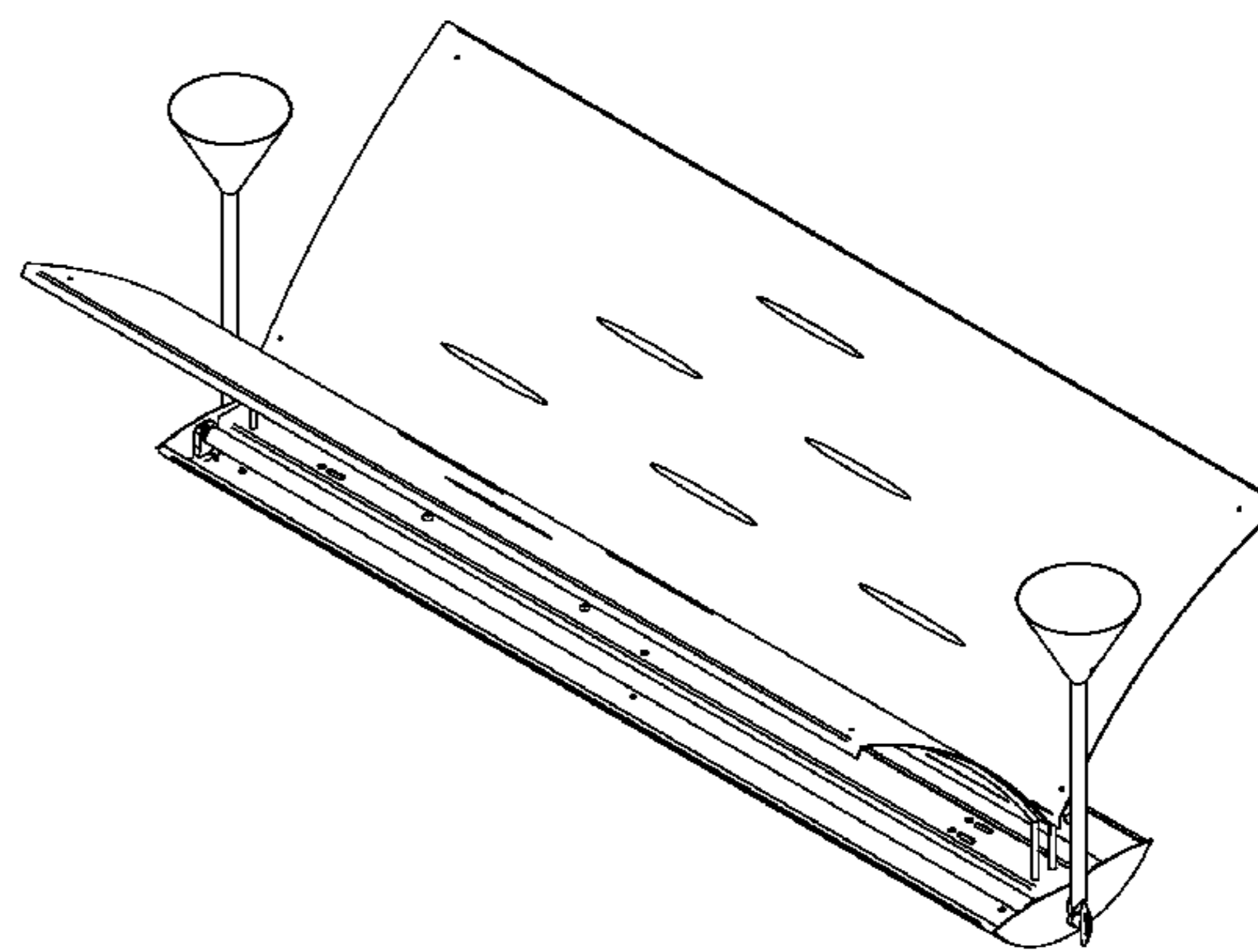
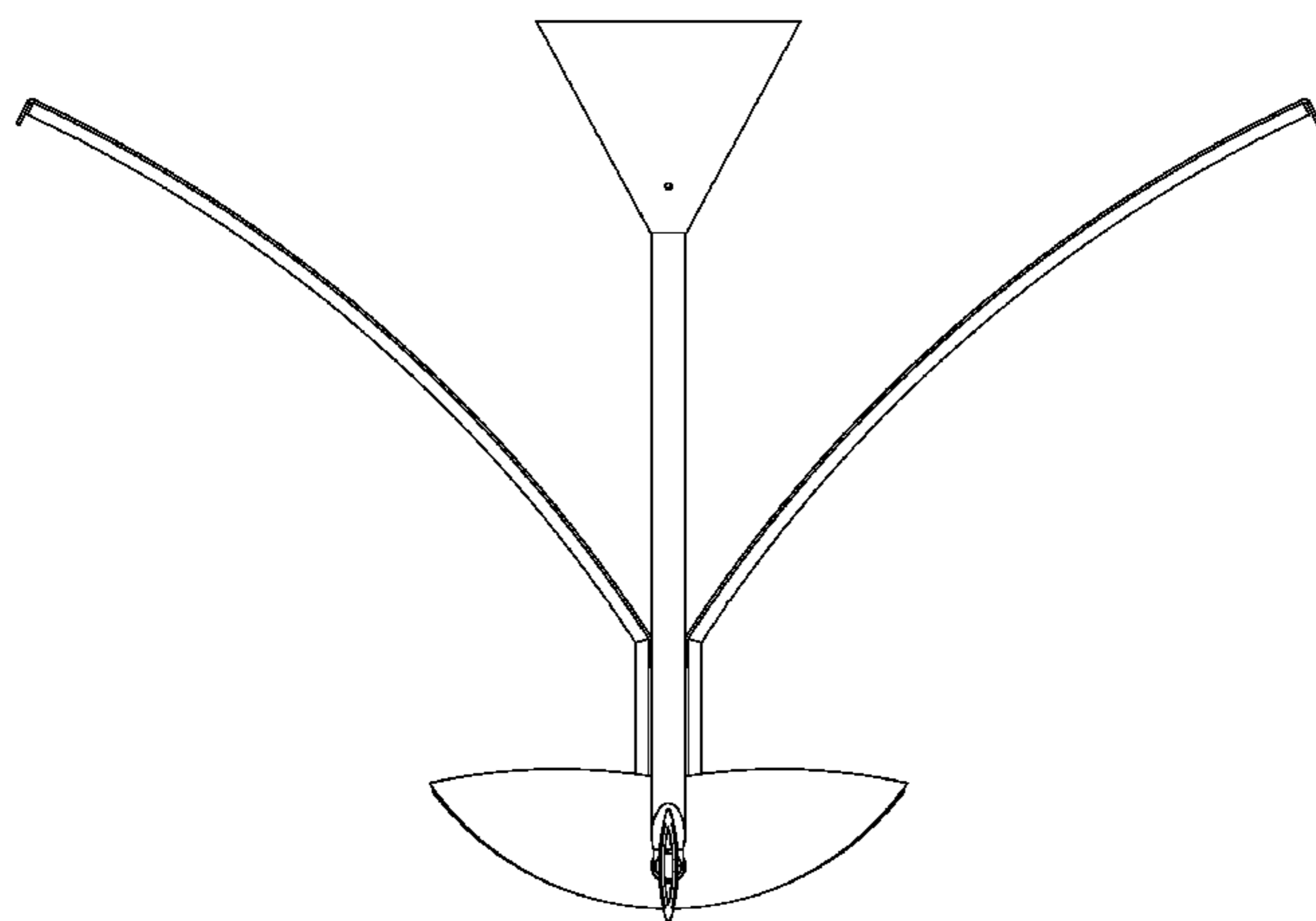
FIG. 2 is a side elevational view thereof;

FIG. 3 is a bottom plan view thereof;

FIG. 4 is a top plan view thereof; and,

FIG. 5 is a front perspective view thereof.

1 Claim, 5 Drawing Sheets



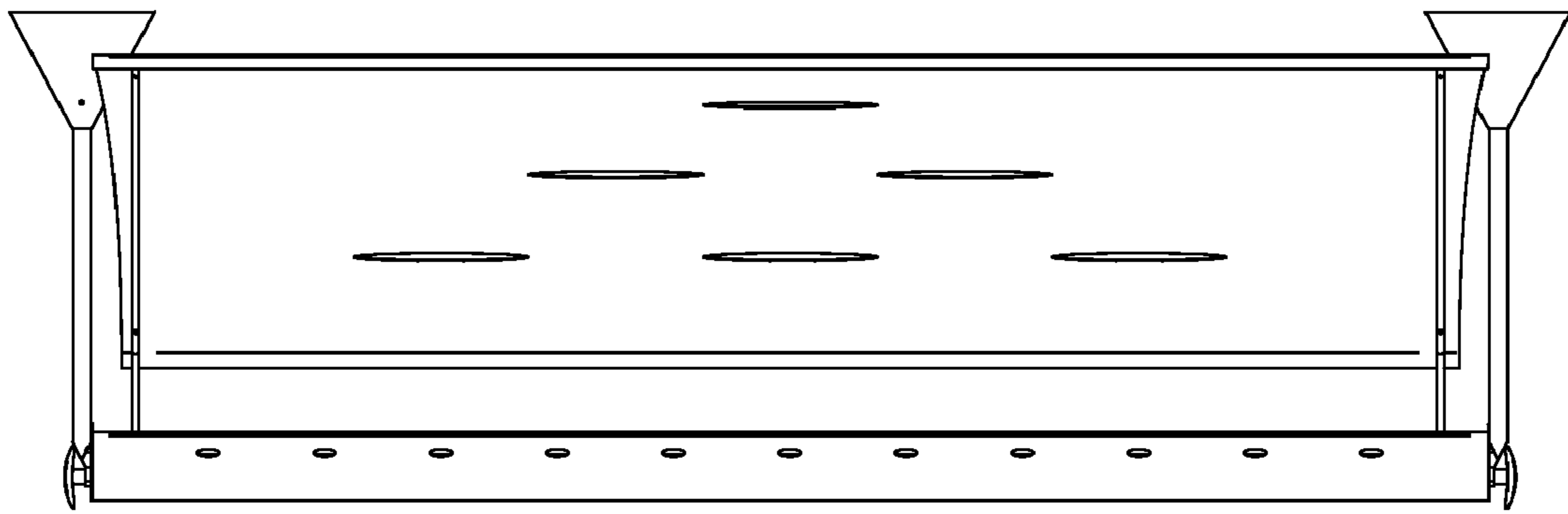


FIG. 1

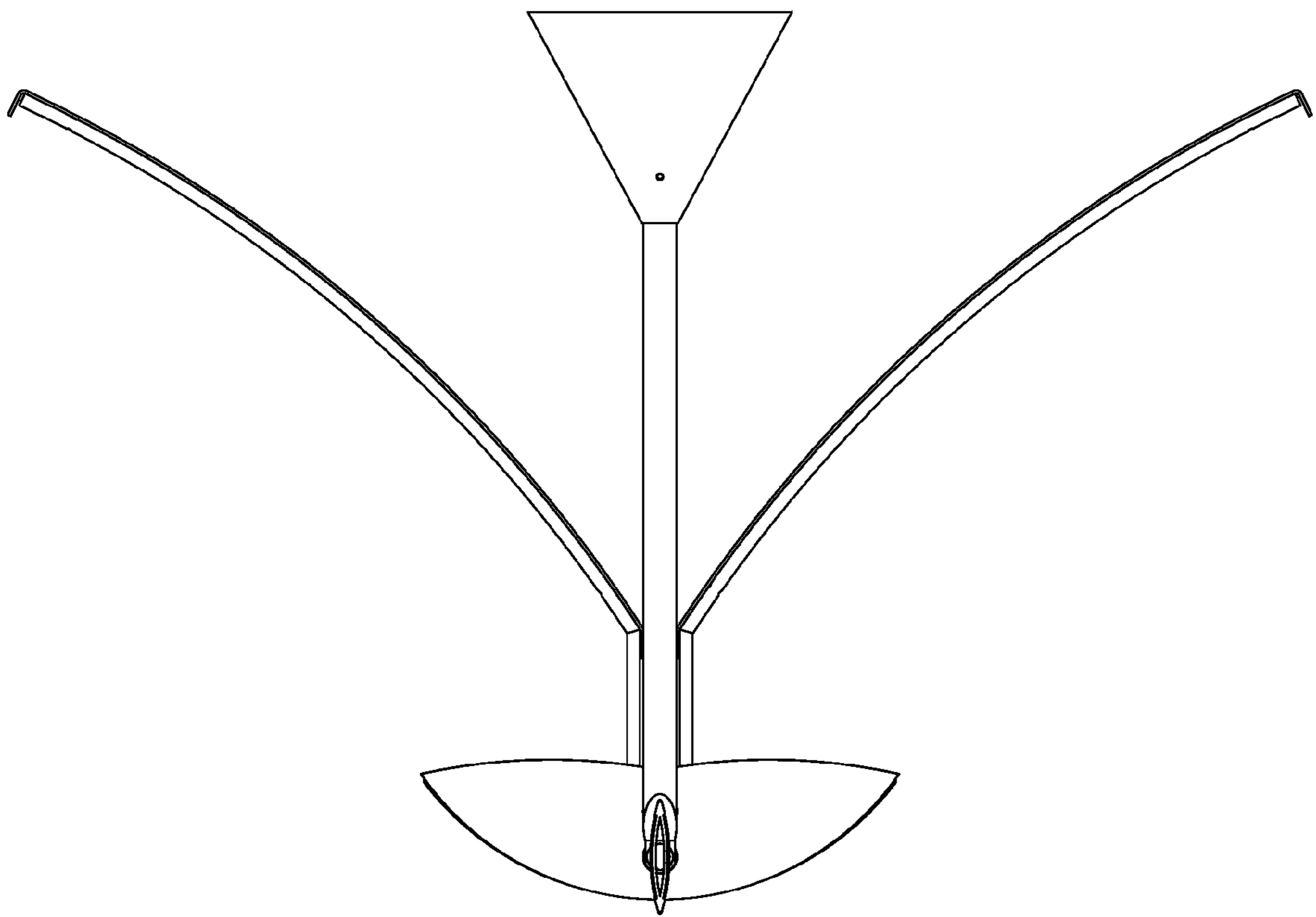


FIG. 2

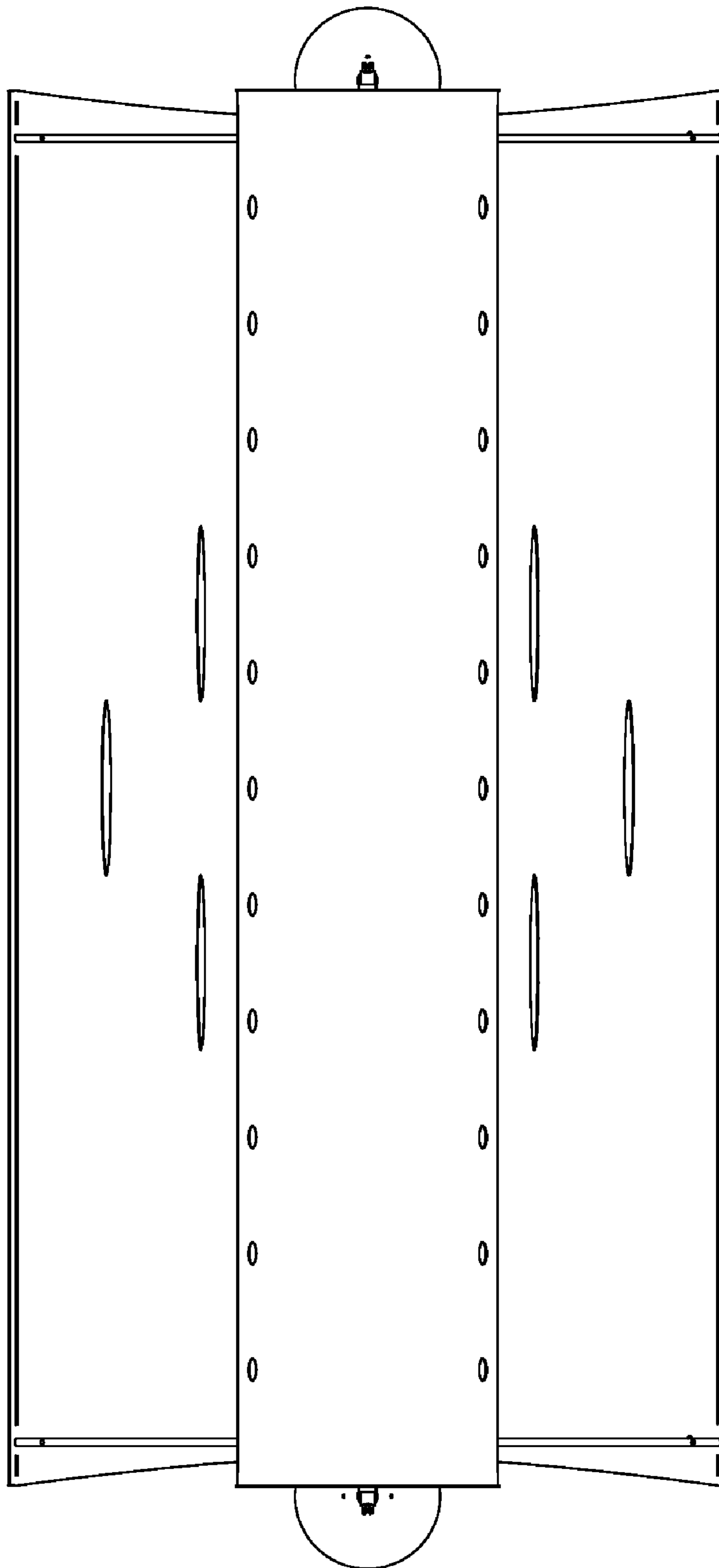


FIG.3

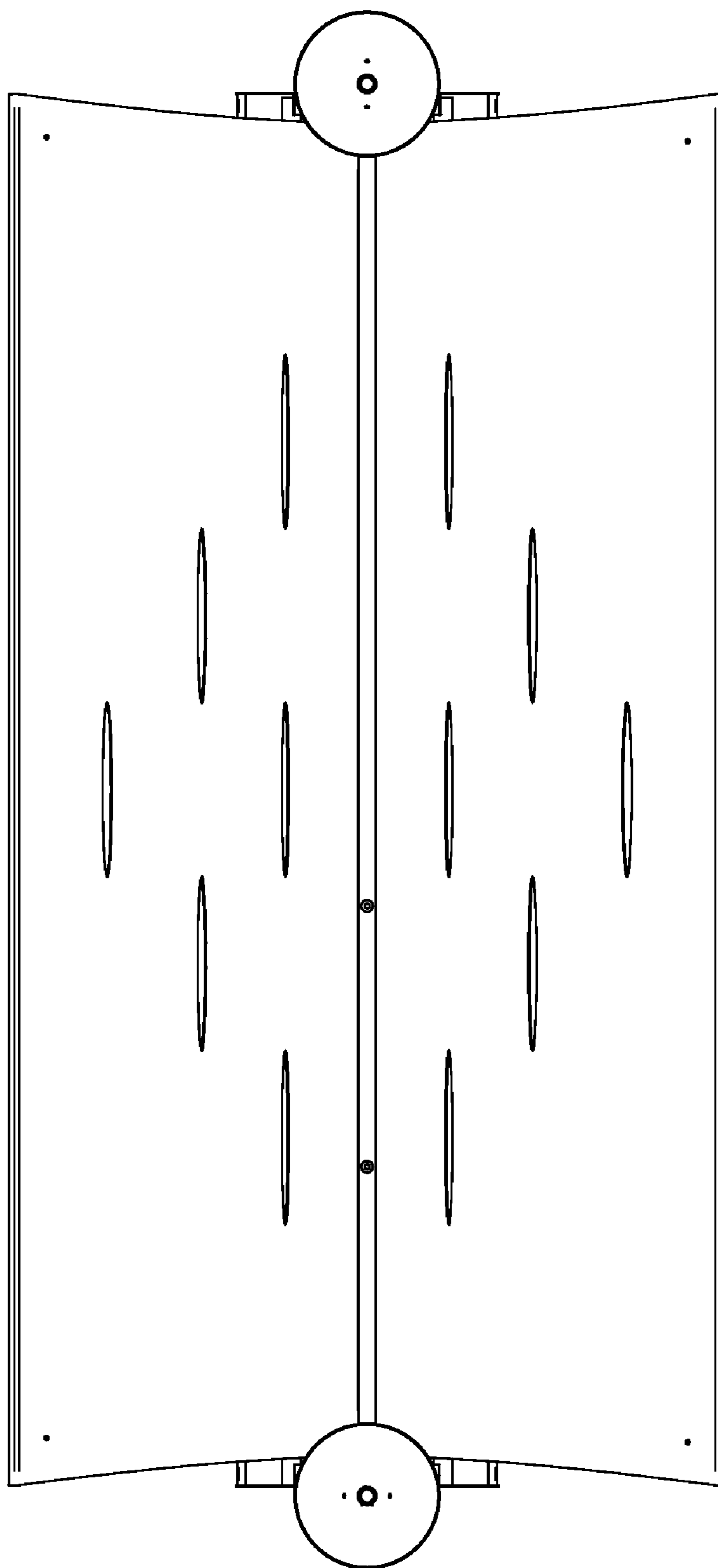


FIG.4

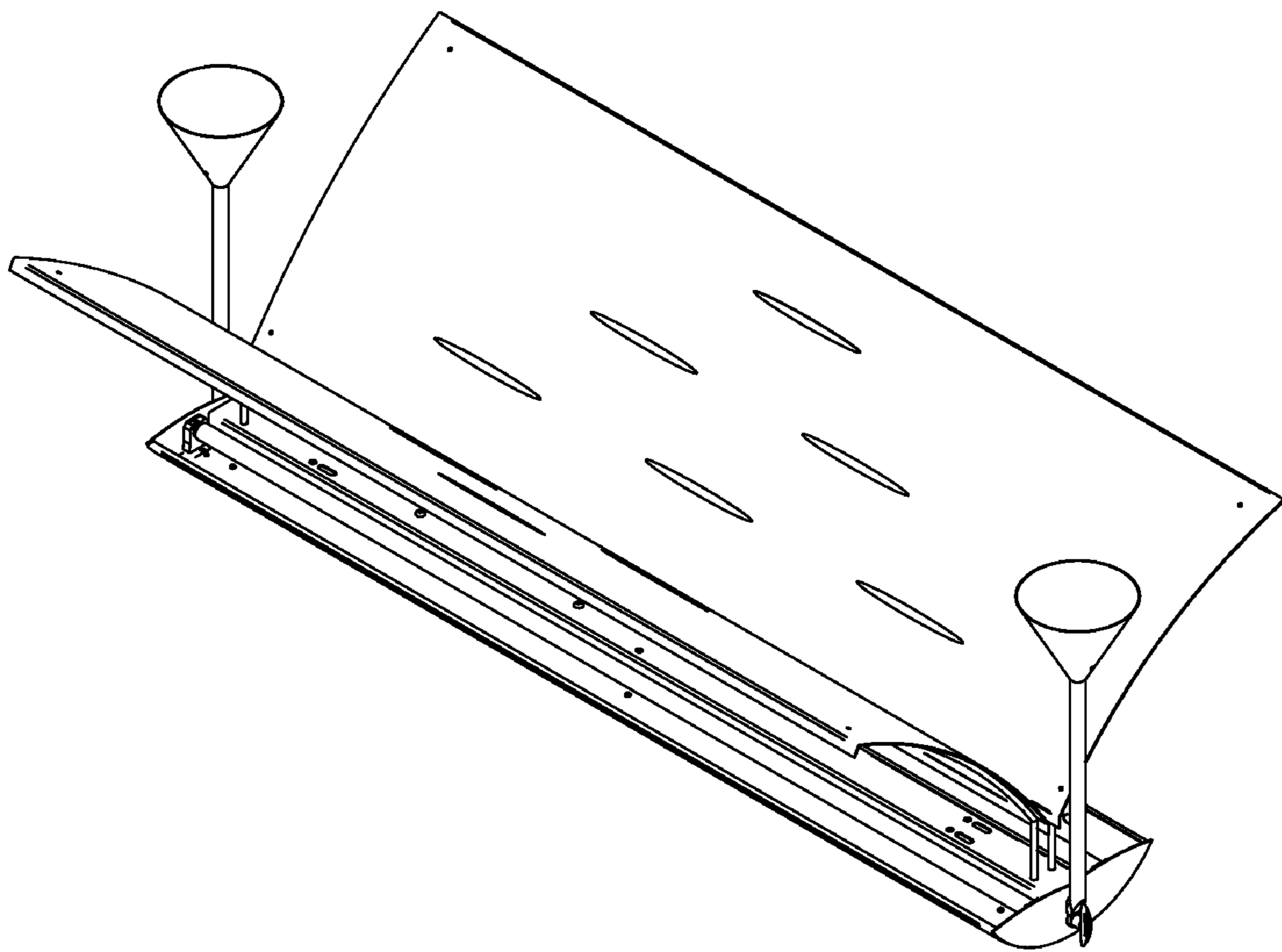


FIG.5