



US00D544627S

(12) **United States Design Patent**
Quintal

(10) **Patent No.:** **US D544,627 S**

(45) **Date of Patent:** **** Jun. 12, 2007**

(54) **LAMP SUPPORT**

(75) Inventor: **Alain Quintal**, 4745 Road 125,
Rawdon, Quebec (CA) J0K 1S0

(73) Assignee: **Alain Quintal**, St-Léonard, Québec
(CA)

(**) Term: **14 Years**

(21) Appl. No.: **29/247,284**

(22) Filed: **Jul. 14, 2006**

(30) **Foreign Application Priority Data**

Feb. 21, 2006 (CA) 114573

(51) **LOC (8) Cl.** **26-03**

(52) **U.S. Cl.** **D26/76**

(58) **Field of Classification Search** D26/72,
D26/74-79; 362/217-225

See application file for complete search history.

(56) **References Cited**

U.S. PATENT DOCUMENTS

D133,986 S * 10/1942 Gordon D26/76

D148,695 S * 2/1948 Guth et al. D26/76
D397,481 S * 8/1998 Schafer D26/85
D399,588 S * 10/1998 St. Ives D26/76
D431,086 S * 9/2000 Cole, Jr. D26/76
6,837,592 B1 * 1/2005 Dahlen 362/217
D516,239 S * 2/2006 Wachter D26/118
D530,038 S * 10/2006 Kotovsky D26/76

* cited by examiner

Primary Examiner—Louis S. Zarfes

Assistant Examiner—Susan E. Krakower

(74) *Attorney, Agent, or Firm*—Robert Brouillette;
Brouillette & Partners

(57) **CLAIM**

The ornamental design for a lamp support, as shown.

DESCRIPTION

FIG. 1 is a front elevational view of the lamp support;

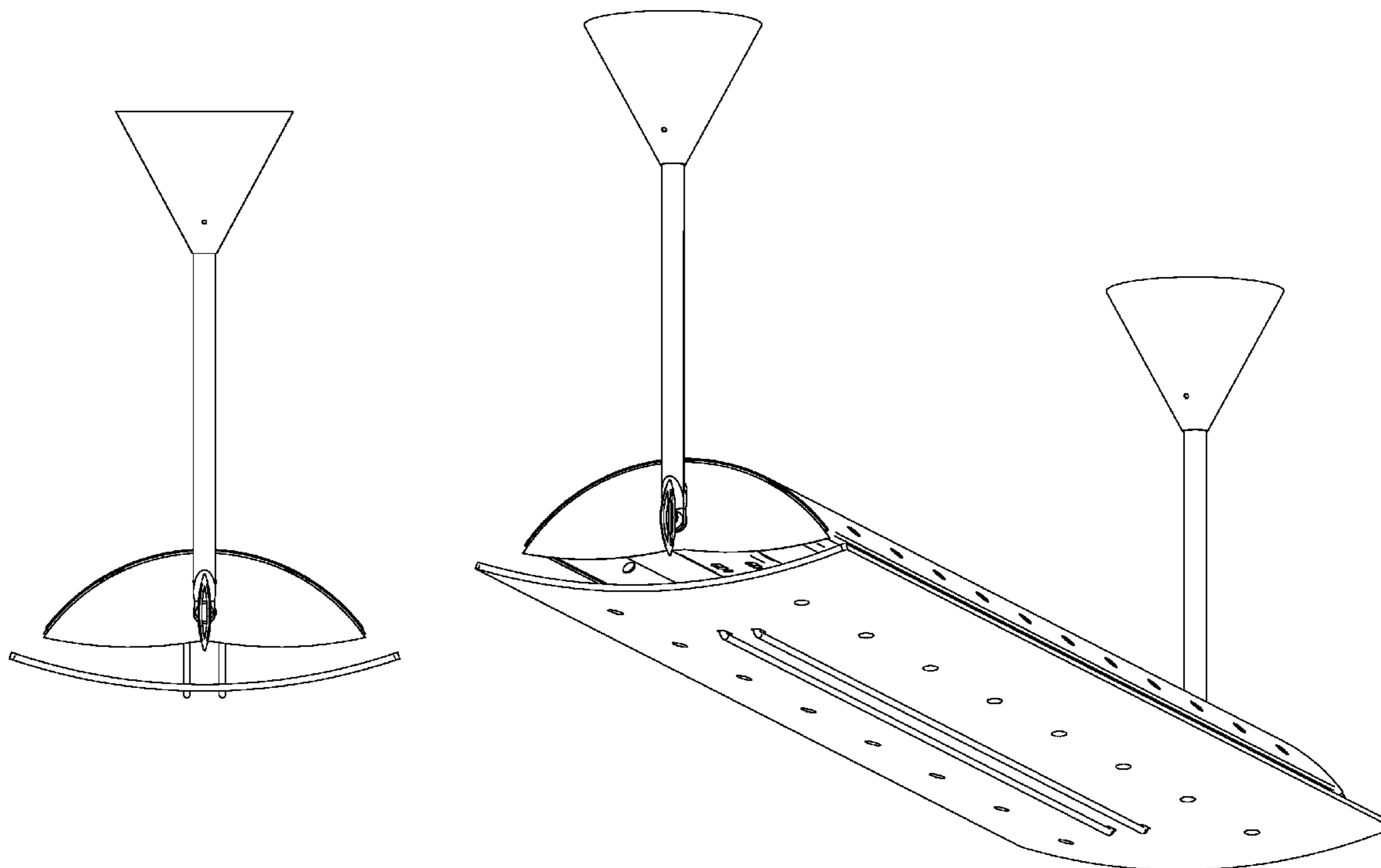
FIG. 2 is a side elevational view thereof;

FIG. 3 is a bottom plan view thereof;

FIG. 4 is a top plan view thereof; and,

FIG. 5 is a perspective view thereof.

1 Claim, 5 Drawing Sheets



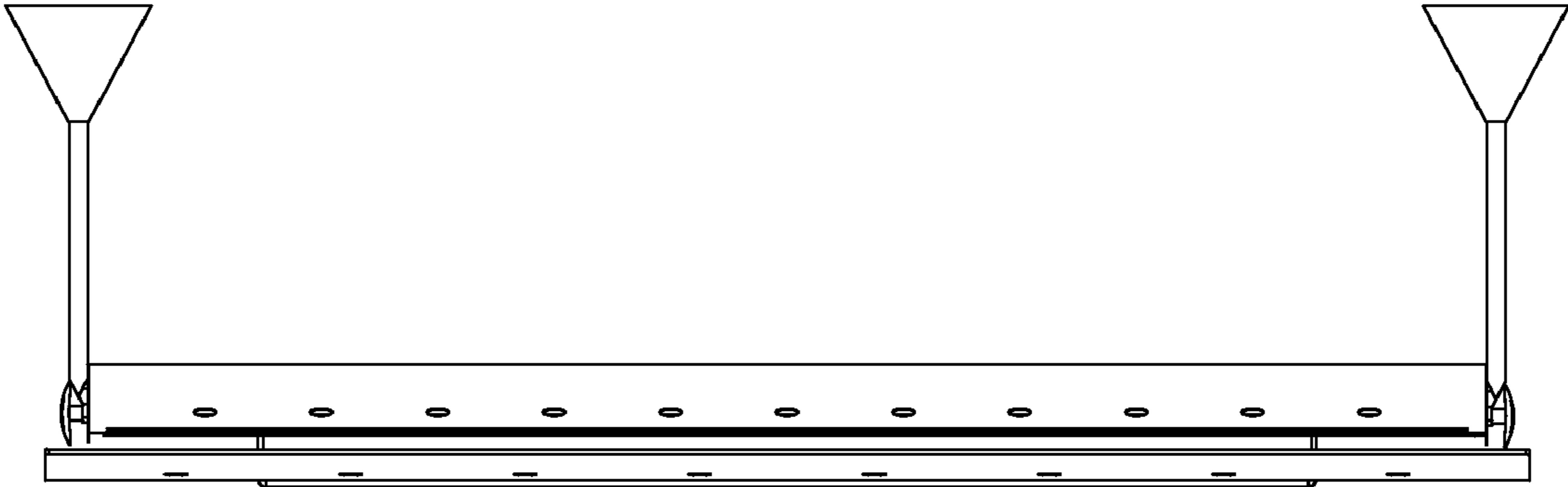


FIG.1

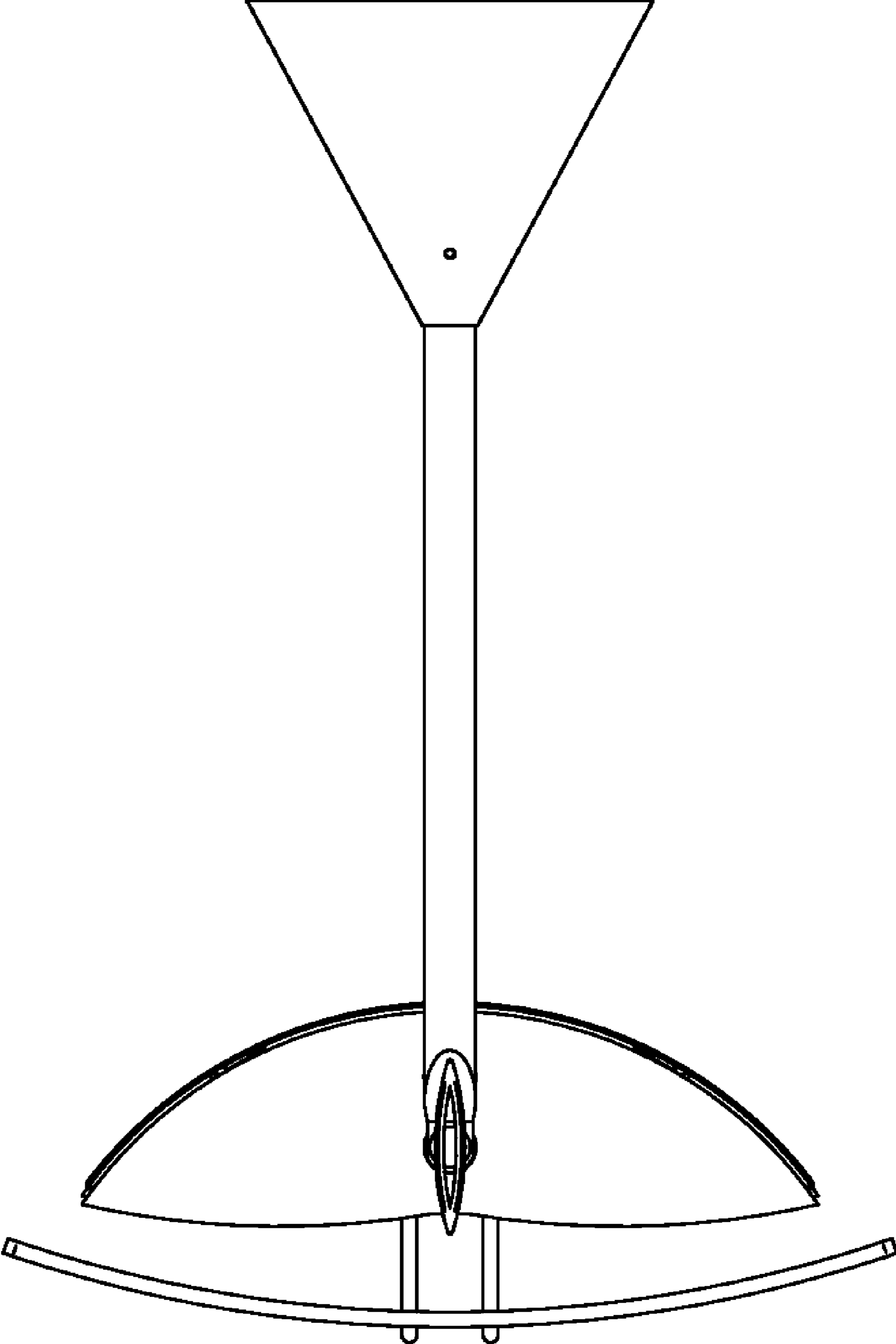


FIG. 2

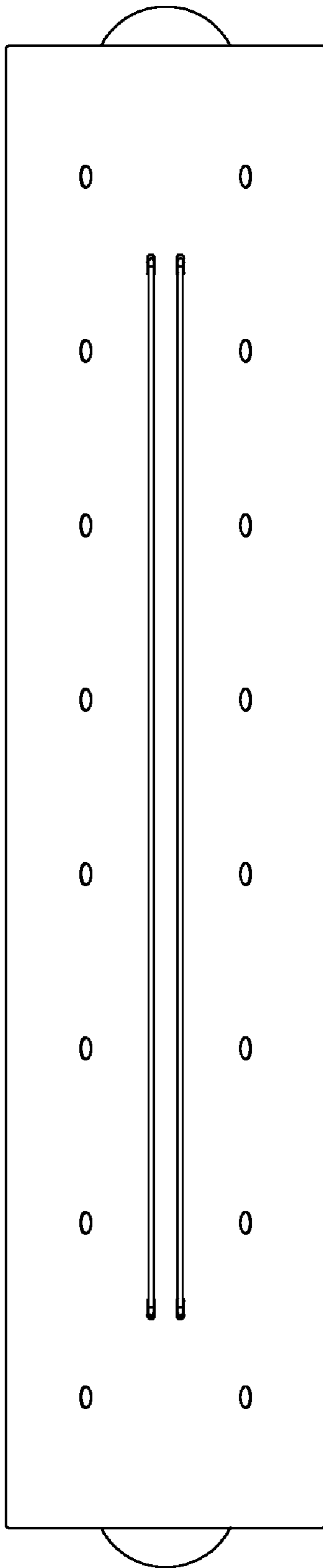


FIG.3

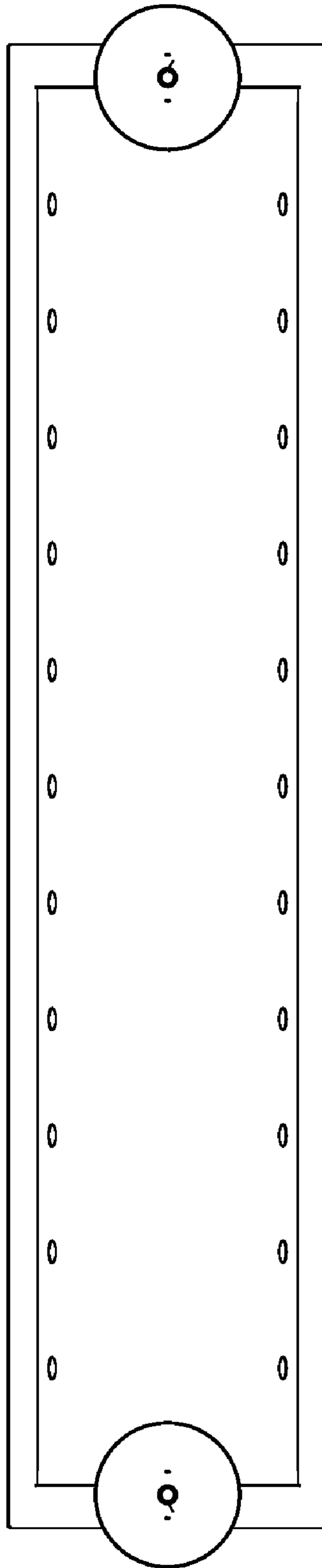


FIG.4

