

US00D544625S

(12) **United States Design Patent**
Chen

(10) **Patent No.:** **US D544,625 S**

(45) **Date of Patent:** **** Jun. 12, 2007**

(54) **RECESSED ADJUSTABLE LIGHT FIXTURE**

(75) Inventor: **Yen-Chang Chen**, Taipei Hsien (TW)

(73) Assignee: **Variable Luminaire Ltd.**, Taipei Hsien (TW)

(**) Term: **14 Years**

(21) Appl. No.: **29/223,263**

(22) Filed: **Feb. 14, 2005**

(51) **LOC (8) Cl.** **26-05**

(52) **U.S. Cl.** **D26/74; D26/61**

(58) **Field of Classification Search** **D26/63-65, D26/72, 75, 85-89, 61; 362/147, 148, 364-366**
See application file for complete search history.

(56) **References Cited**

U.S. PATENT DOCUMENTS

3,643,089	A *	2/1972	Marantz	362/217
3,778,609	A *	12/1973	Liberman	362/364
D326,536	S *	5/1992	Gattari	D26/74
D326,729	S *	6/1992	Gattari	D26/74
5,609,408	A *	3/1997	Targetti	362/523
D397,490	S *	8/1998	Lecluze	D26/118
5,823,664	A *	10/1998	Demshki et al.	362/366

D410,295	S *	5/1999	Lueken et al.	D26/74
D413,997	S *	9/1999	Jandrisits et al.	D26/74
6,543,915	B1 *	4/2003	Chen	362/427
2003/0053315	A1 *	3/2003	Chen	362/427

* cited by examiner

Primary Examiner—Clare E Heflin

(74) *Attorney, Agent, or Firm*—Troxell Law Office, PLLC

(57) **CLAIM**

The ornamental design for recessed adjustable light fixture, as shown.

DESCRIPTION

FIG. 1 is a front perspective view of a recessed adjustable light fixture showing my new design;

FIG. 2 is a front elevational view thereof;

FIG. 3 is a rear elevational view thereof;

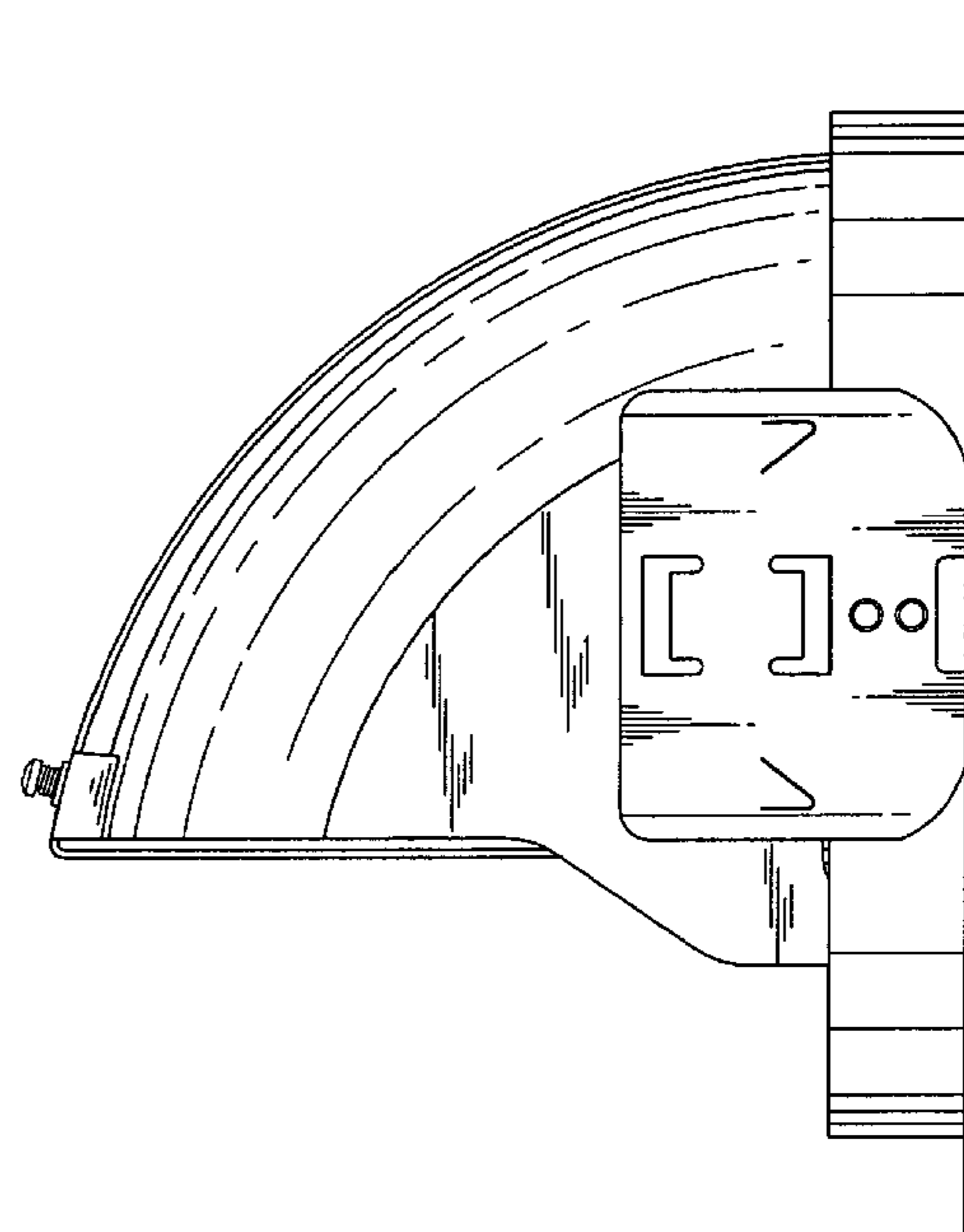
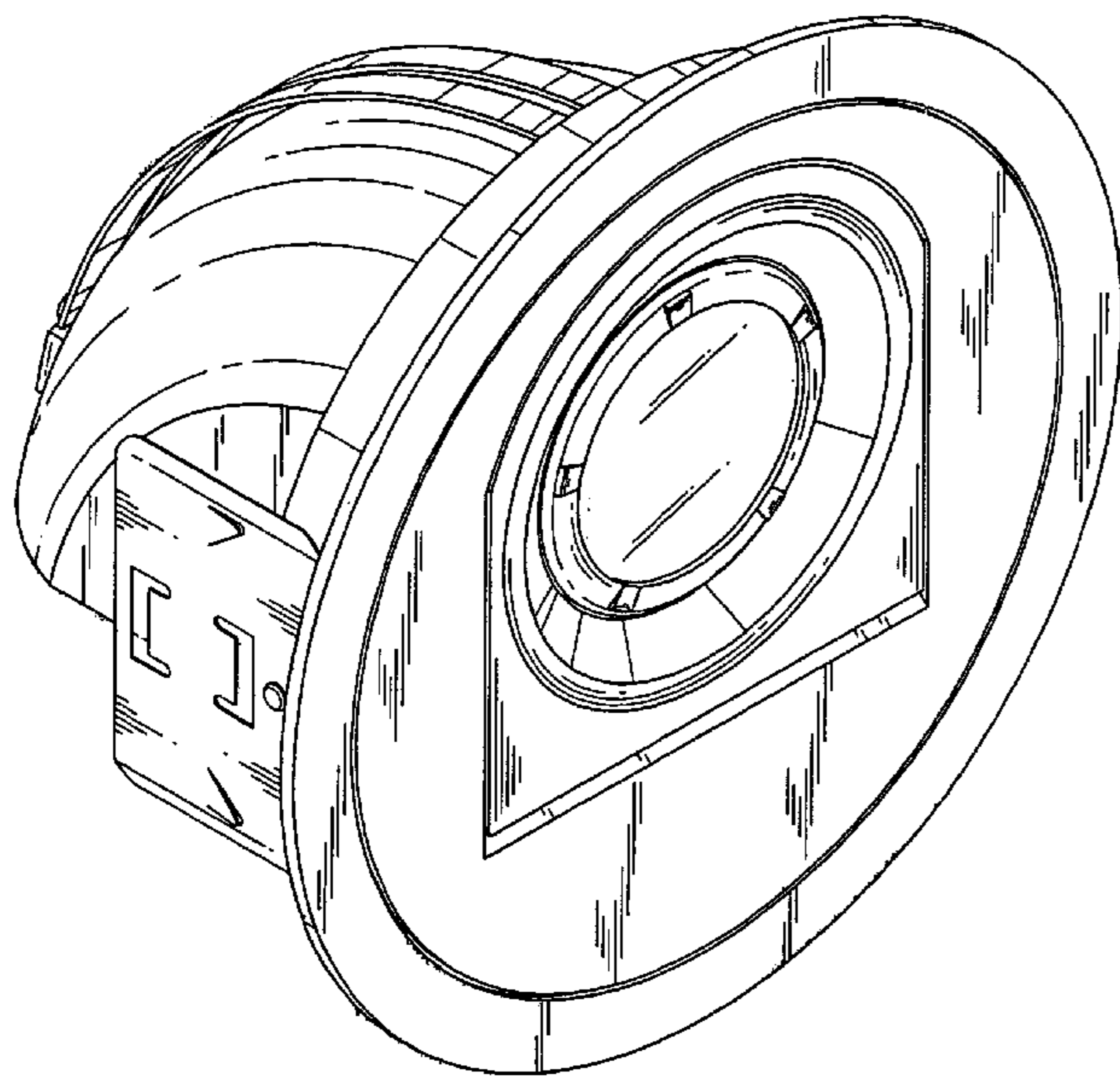
FIG. 4 is a left side elevational view thereof;

FIG. 5 is a right side elevational view thereof;

FIG. 6 is a top plan view thereof; and,

FIG. 7 is a bottom plan view thereof.

1 Claim, 7 Drawing Sheets



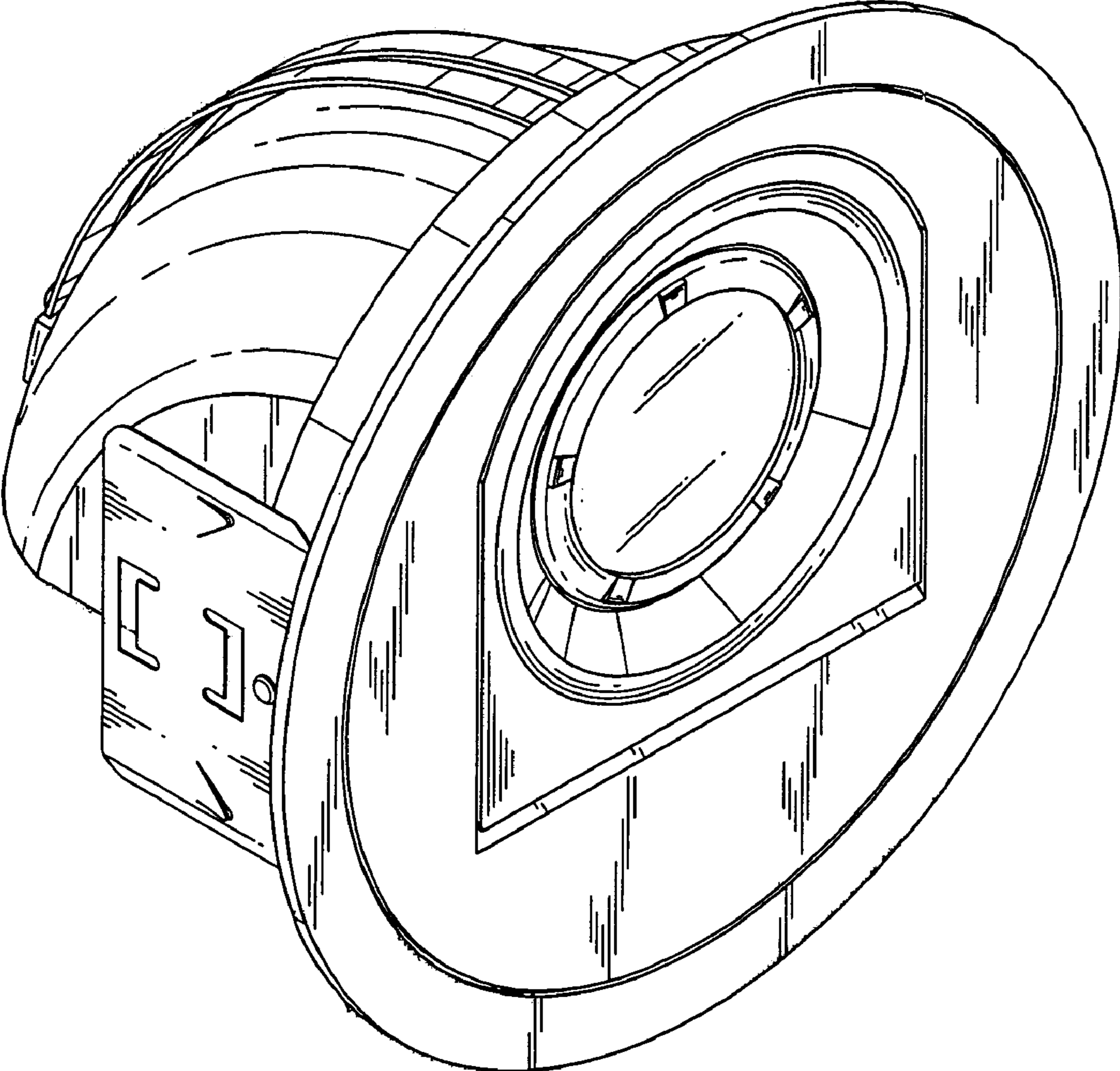


Fig. 1

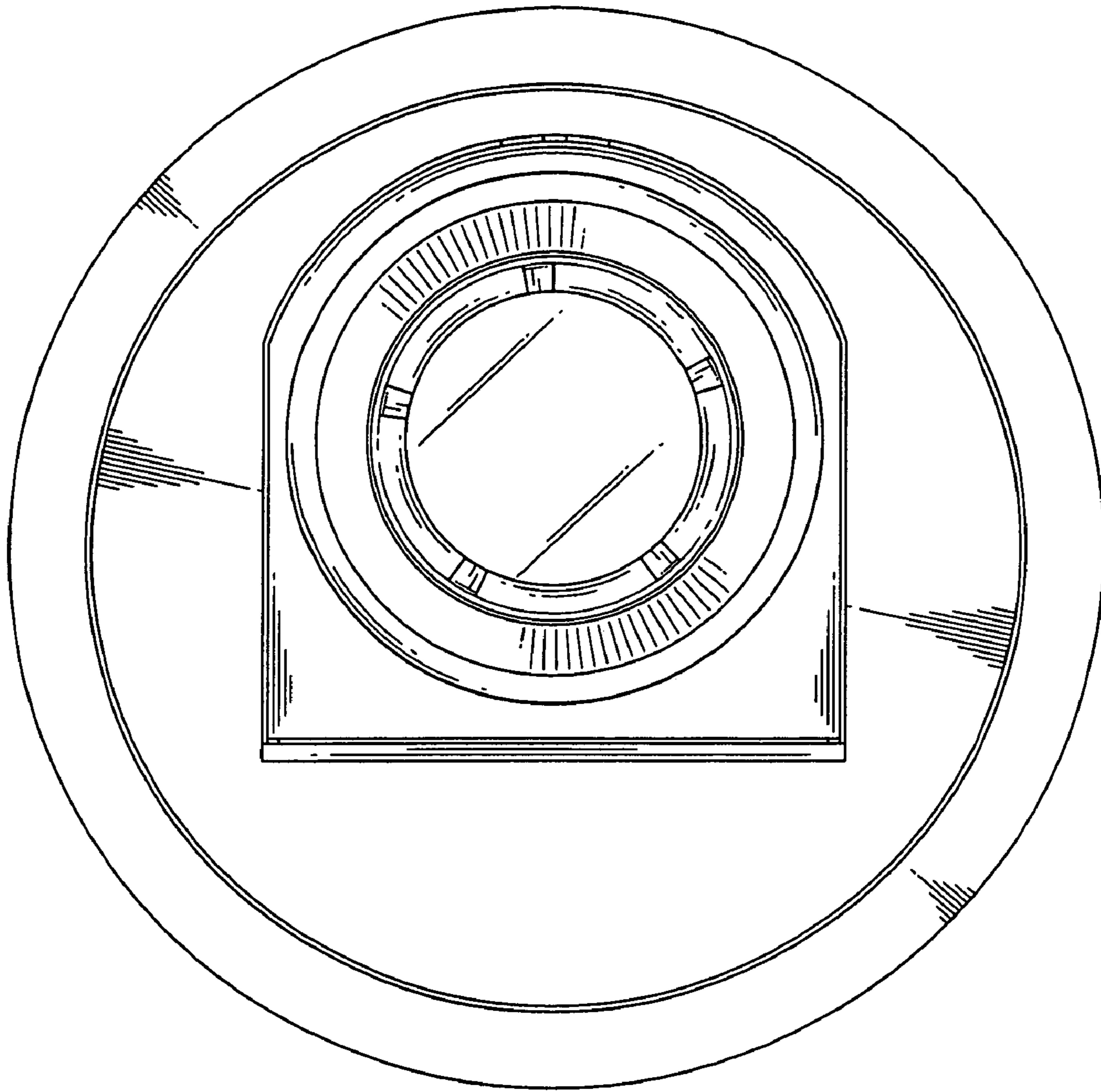


Fig. 2

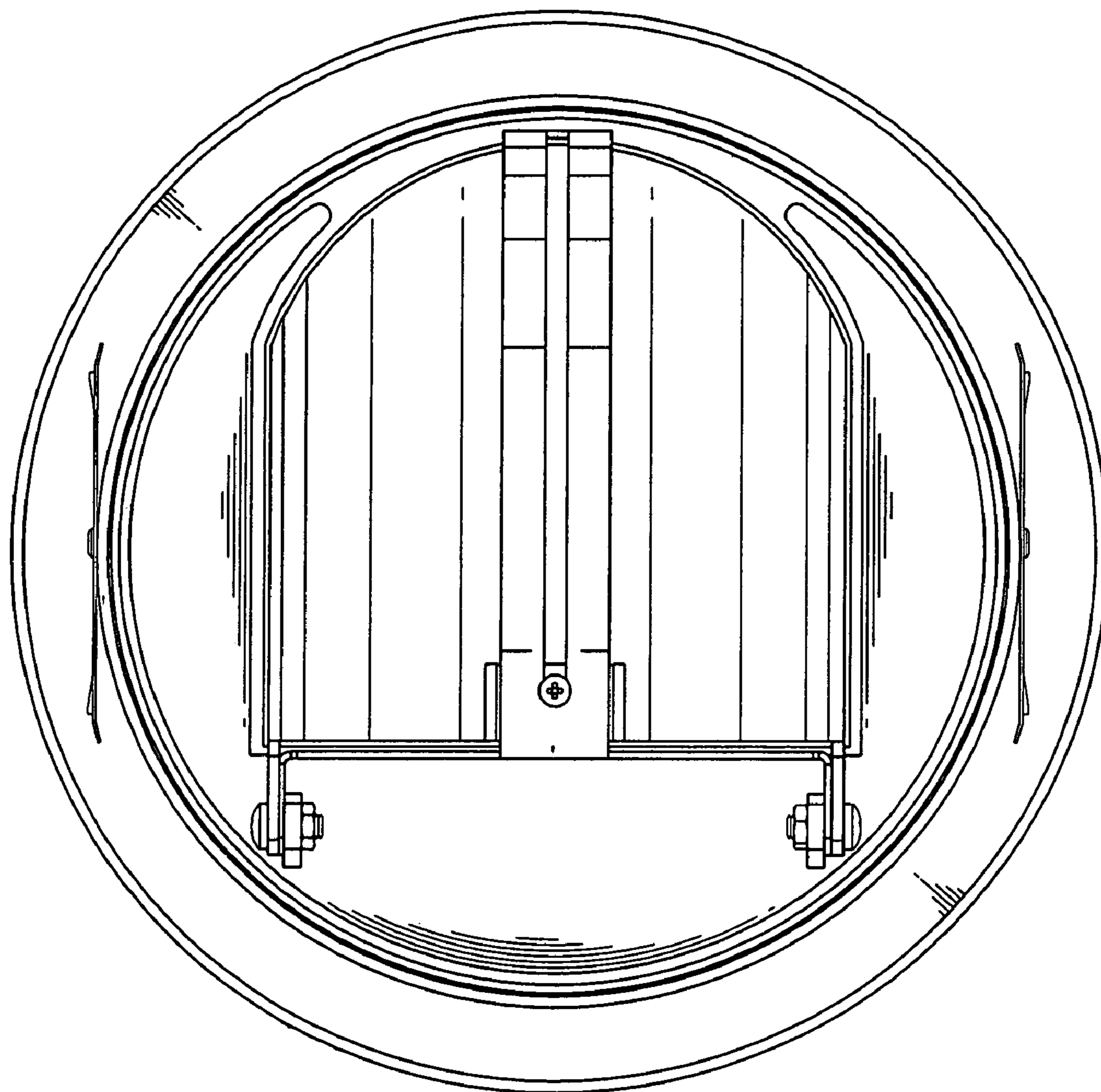


Fig. 3

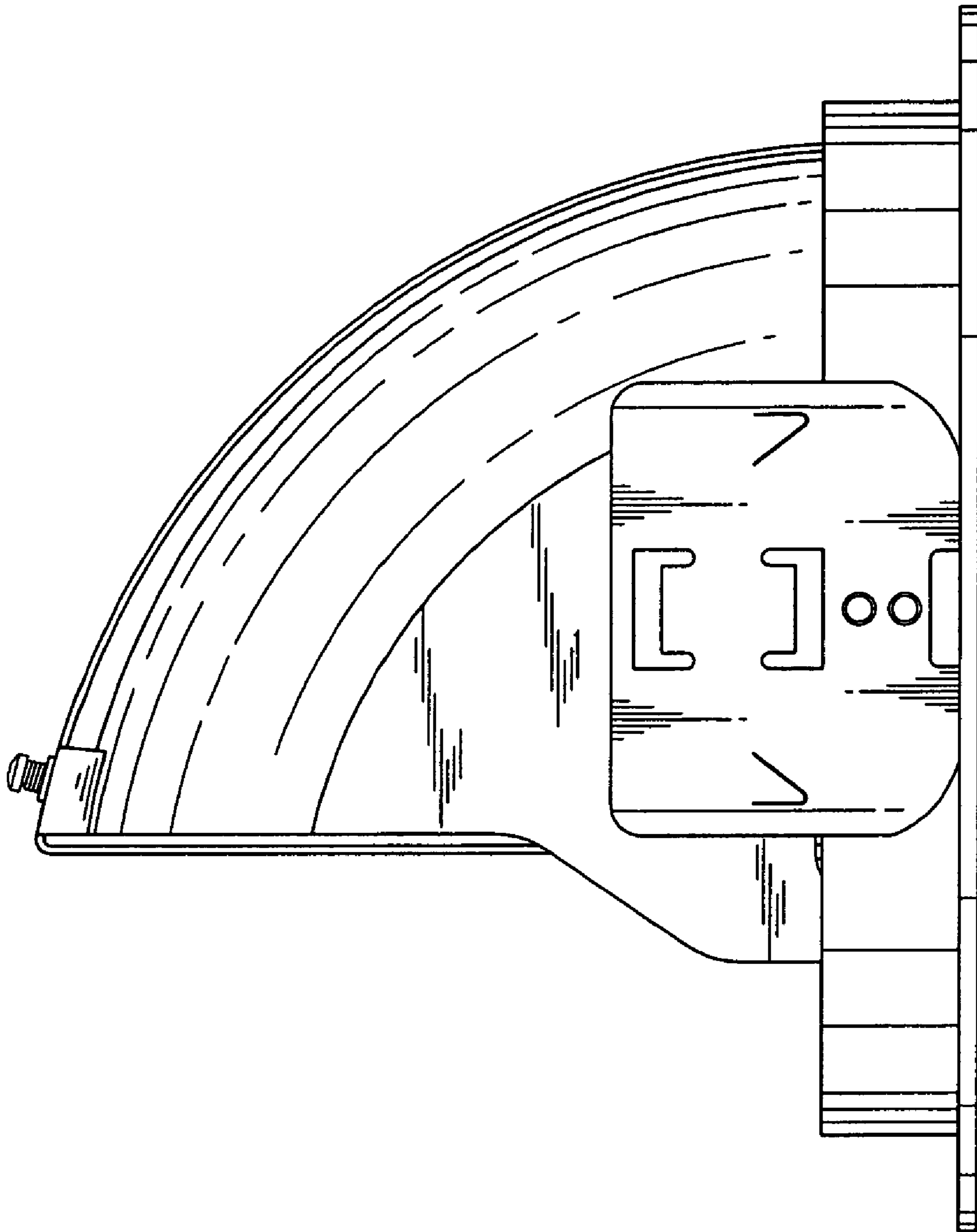


Fig. 4

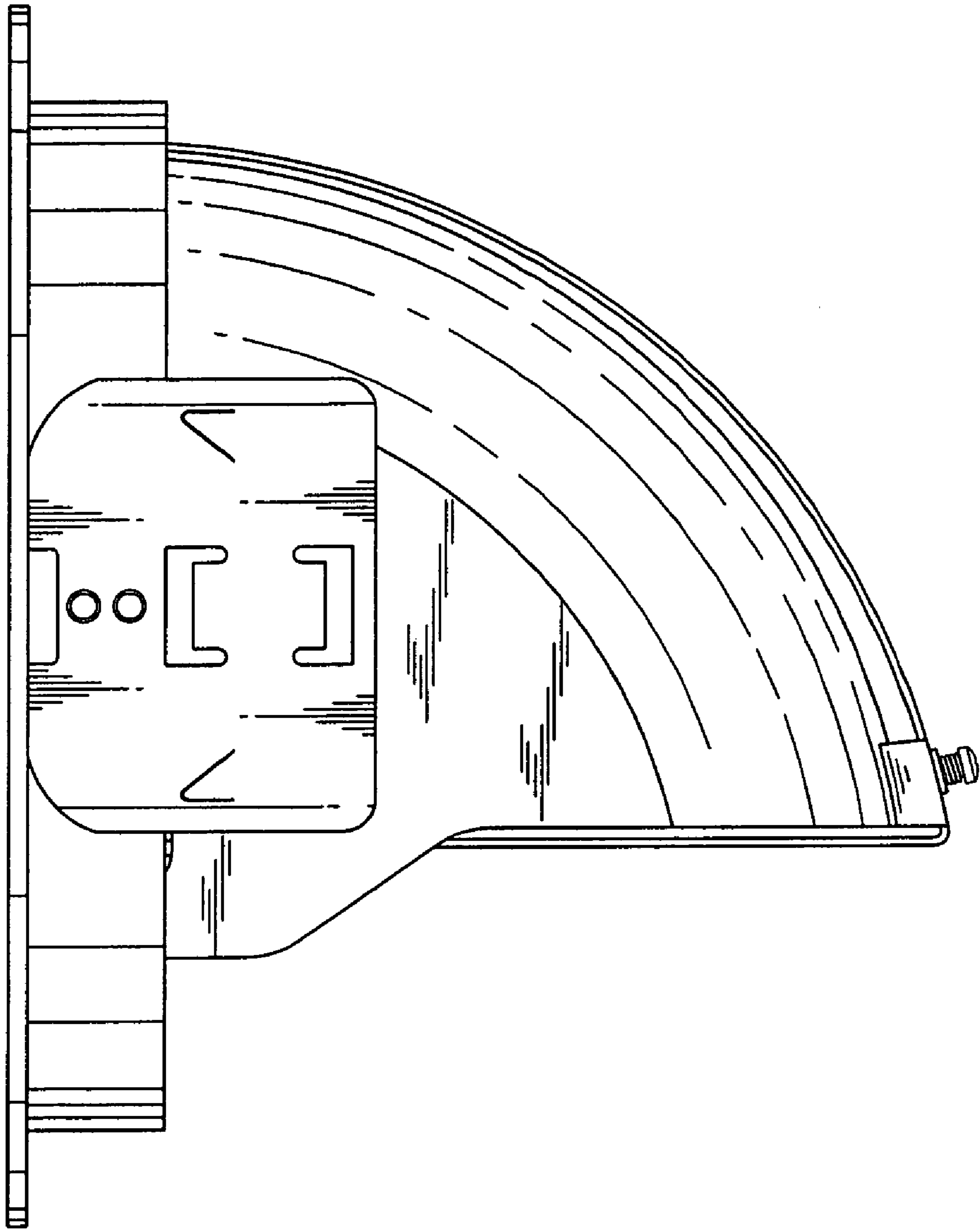


Fig. 5

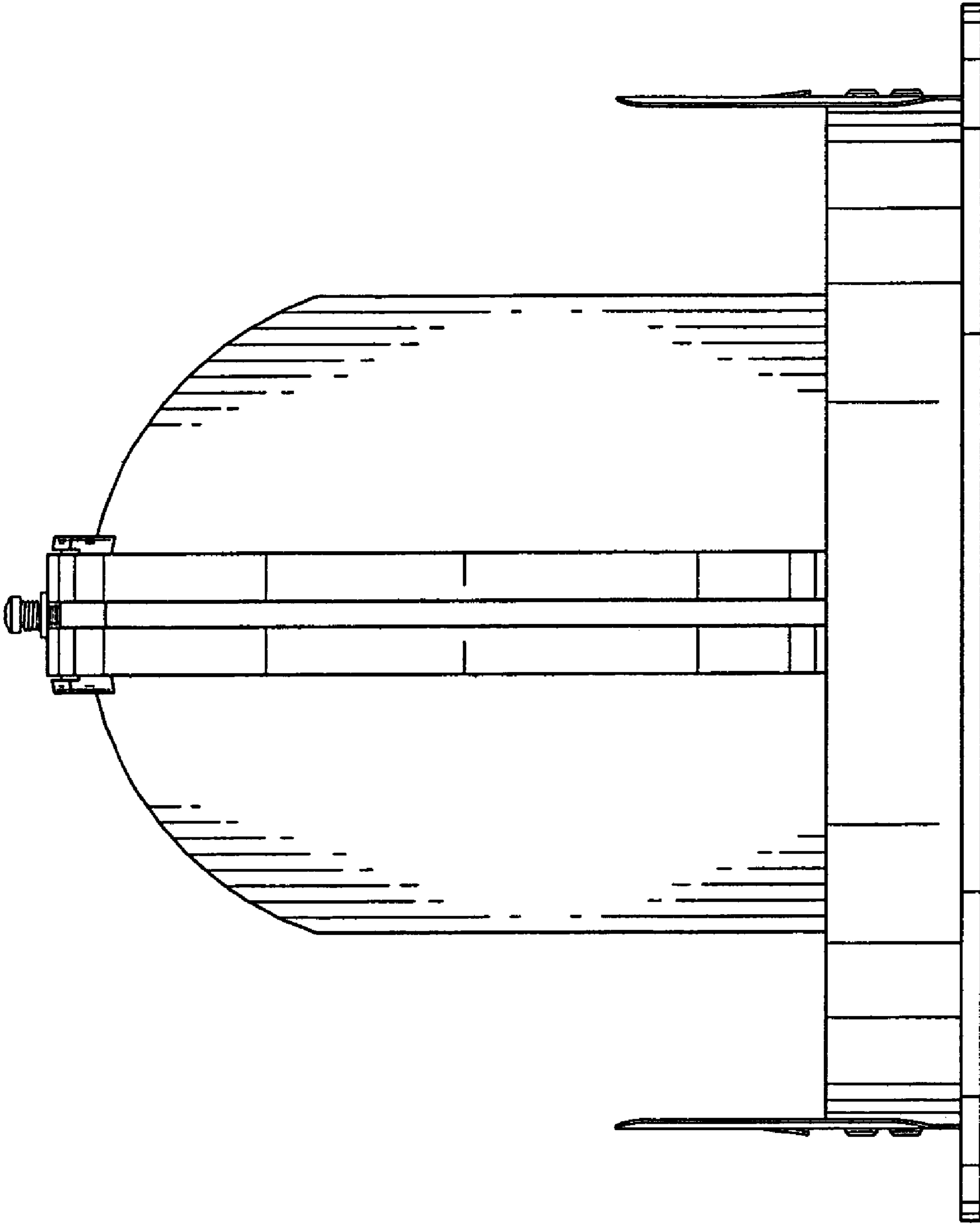


Fig. 6

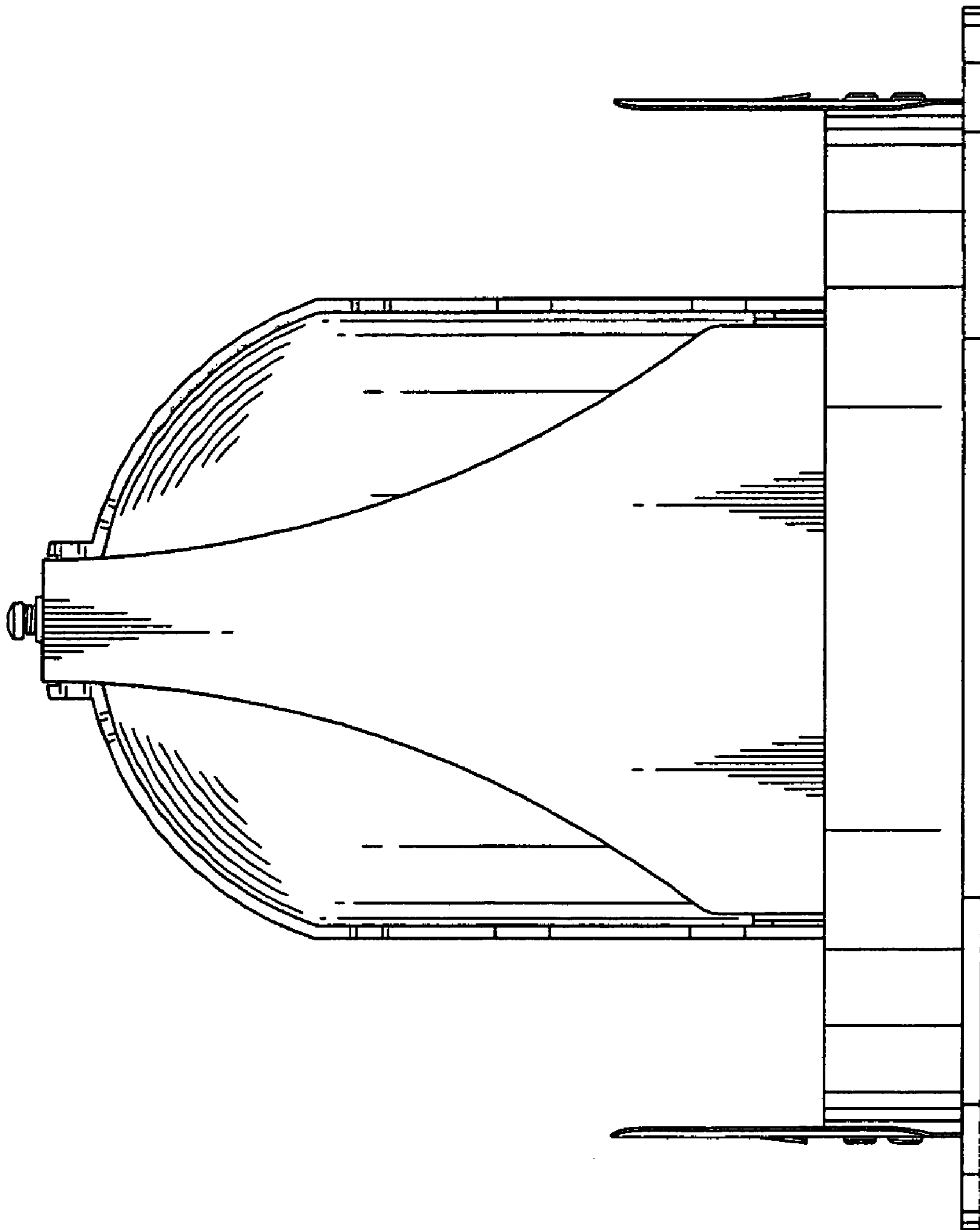


Fig. 7