

US00D544622S

(12) **United States Design Patent**
Cheng

(10) **Patent No.:** **US D544,622 S**
(45) **Date of Patent:** **** Jun. 12, 2007**

(54) **FLASHLIGHT FOR CAR**
(75) Inventor: **Hsu-Cheng Cheng**, Tucheng (TW)
(73) Assignee: **Tang Yang Dies Co., Ltd.**, Taipei (TW)
(**) Term: **14 Years**

D430,322 S * 8/2000 Lee D26/38
D473,191 S * 4/2003 Shen D13/144
D479,196 S * 9/2003 Shih D13/144
6,986,595 B2 * 1/2006 Wunsch 362/489
7,063,447 B2 * 6/2006 Andrieu et al. 362/488
D525,937 S * 8/2006 Seil et al. D13/144
D525,938 S * 8/2006 Seil et al. D13/144
2006/0274541 A1 * 12/2006 Sheen 362/488

(21) Appl. No.: **29/260,986**
(22) Filed: **Jun. 6, 2006**

* cited by examiner

(30) **Foreign Application Priority Data**
Dec. 6, 2005 (TW) 94307440

Primary Examiner—Ian Simmons
Assistant Examiner—Carissa Fitts
(74) *Attorney, Agent, or Firm*—Troxell Law Office PLLC

(51) **LOC (8) Cl.** **26-02**
(52) **U.S. Cl.** **D26/46; D26/49**
(58) **Field of Classification Search** D26/37,
D26/38, 46, 48, 49, 50, 51, 52; 362/157,
362/158, 171–174, 178, 186, 196, 199, 201,
362/202, 203, 204, 205, 208, 266, 116, 119,
362/640, 458, 226, 486, 487, 488, 489; D13/107,
D13/110, 133, 144, 184; D14/155; 439/300,
439/620, 638, 675, 668, 669, 825; 320/110–112,
320/114; 363/146
See application file for complete search history.

(57) **CLAIM**

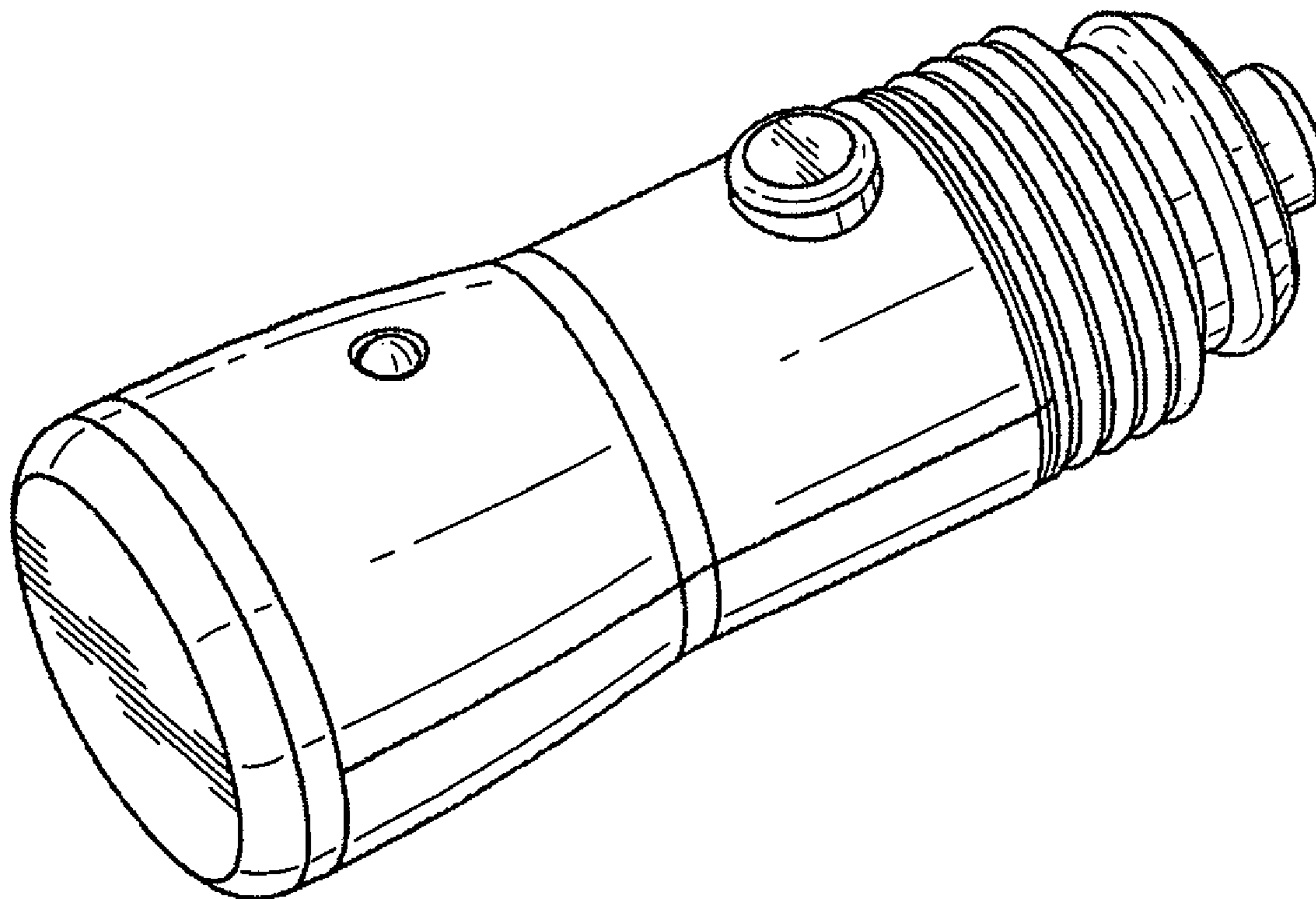
The ornamental design for flashlight for car, as shown and described.

(56) **References Cited**
U.S. PATENT DOCUMENTS
D314,178 S * 1/1991 Reber D13/144
D325,100 S * 3/1992 Usami D26/49
5,690,509 A * 11/1997 Eisenbraun 439/490

DESCRIPTION

FIG. 1 is a perspective view of flashlight for car from right side showing my design;
FIG. 2 is a front side view thereof;
FIG. 3 is a left side view thereof;
FIG. 4 is a top elevation view thereof;
FIG. 5 is a bottom elevation view thereof;
FIG. 6 is a rear side view thereof; and,
FIG. 7 is a right side view thereof.

1 Claim, 4 Drawing Sheets



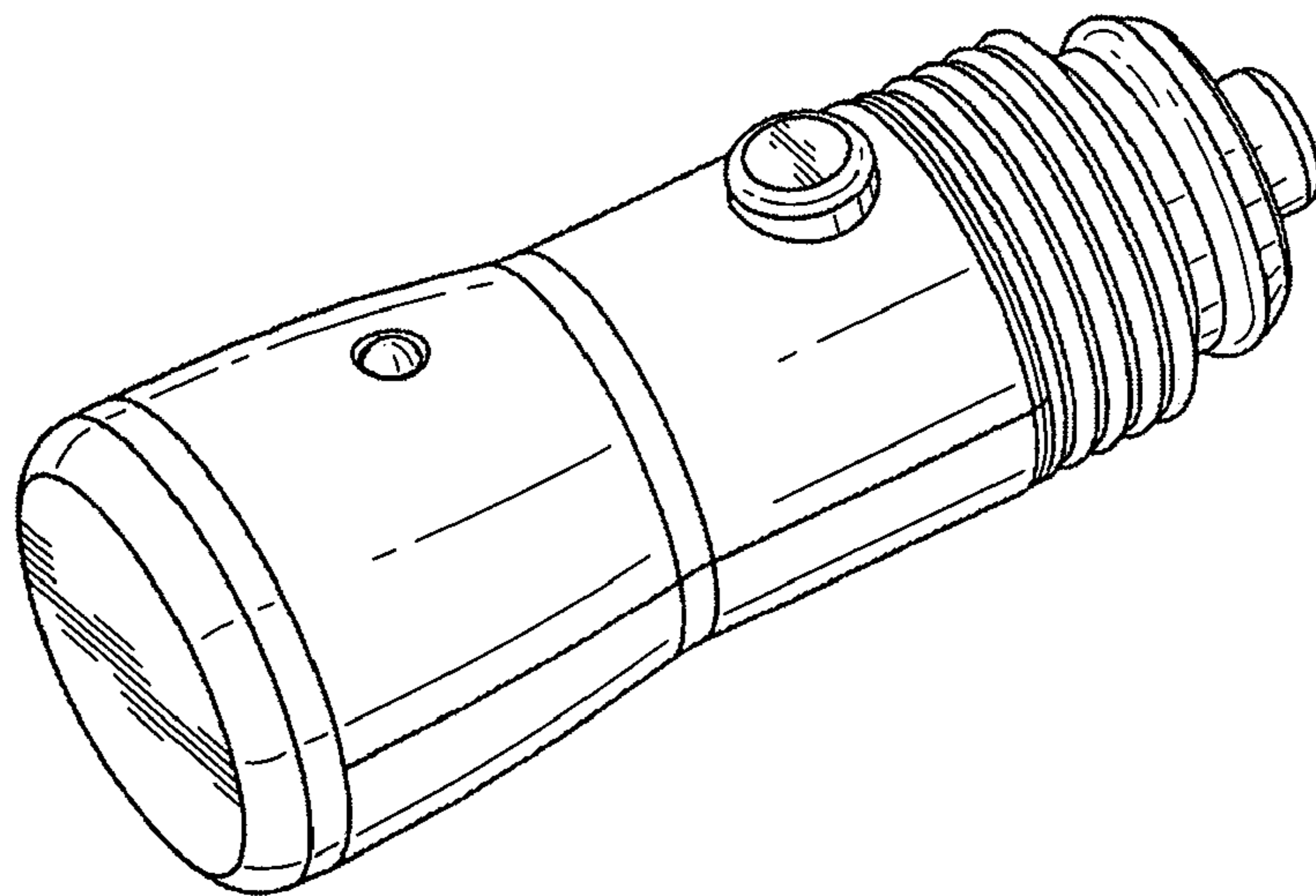


FIG. 1

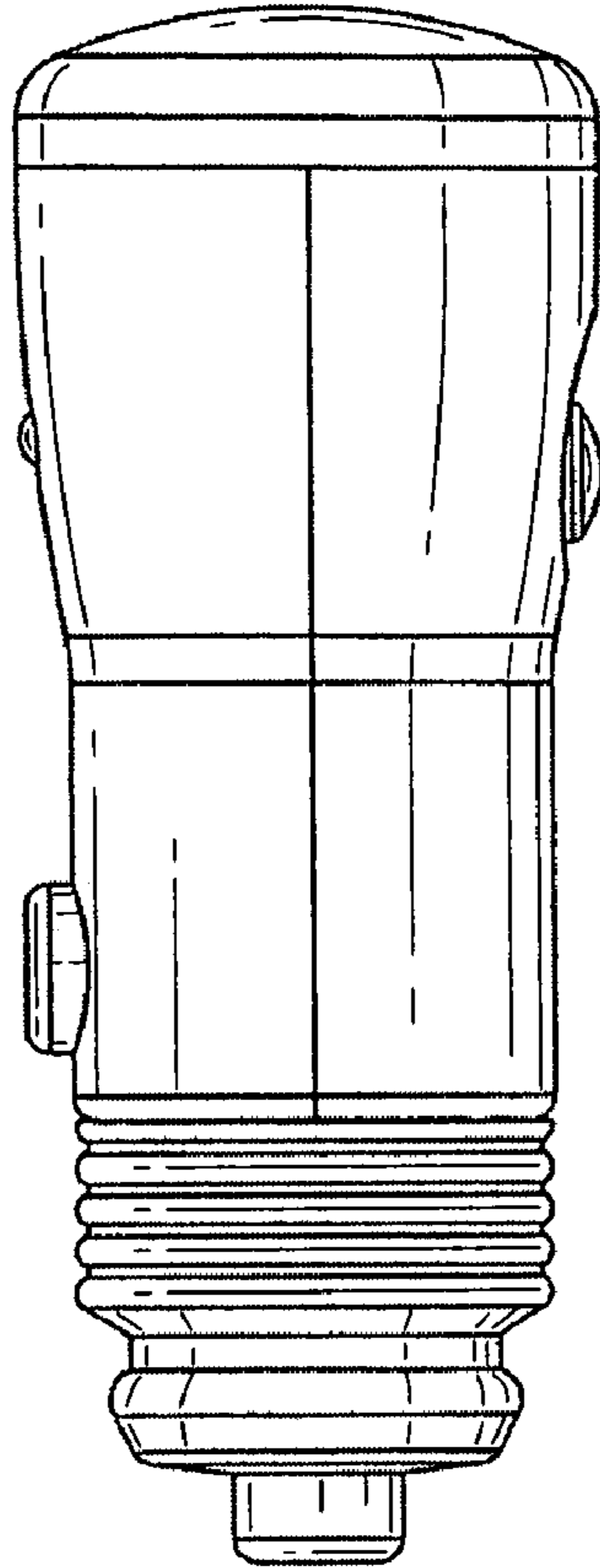


FIG. 2

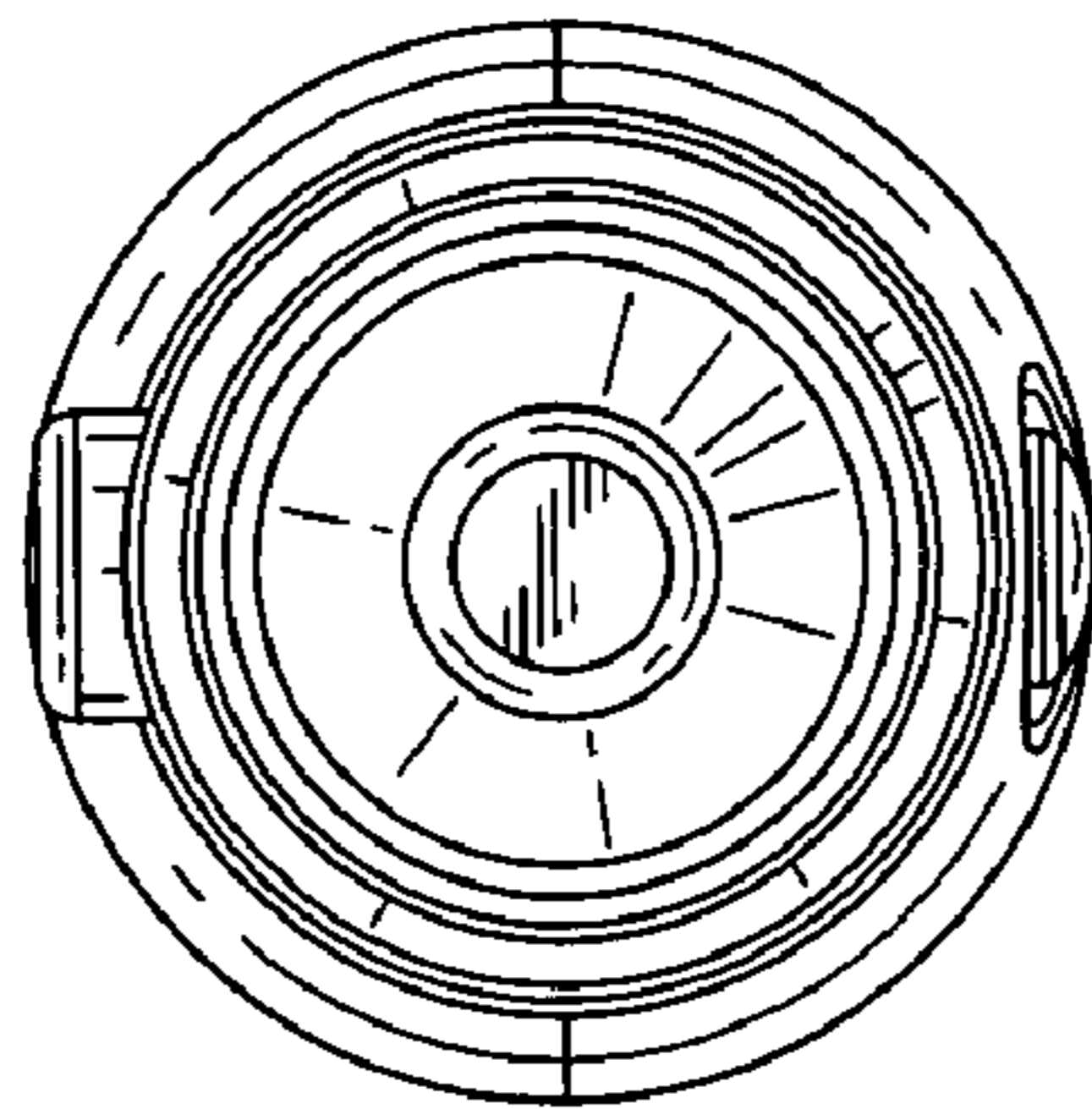


FIG. 3

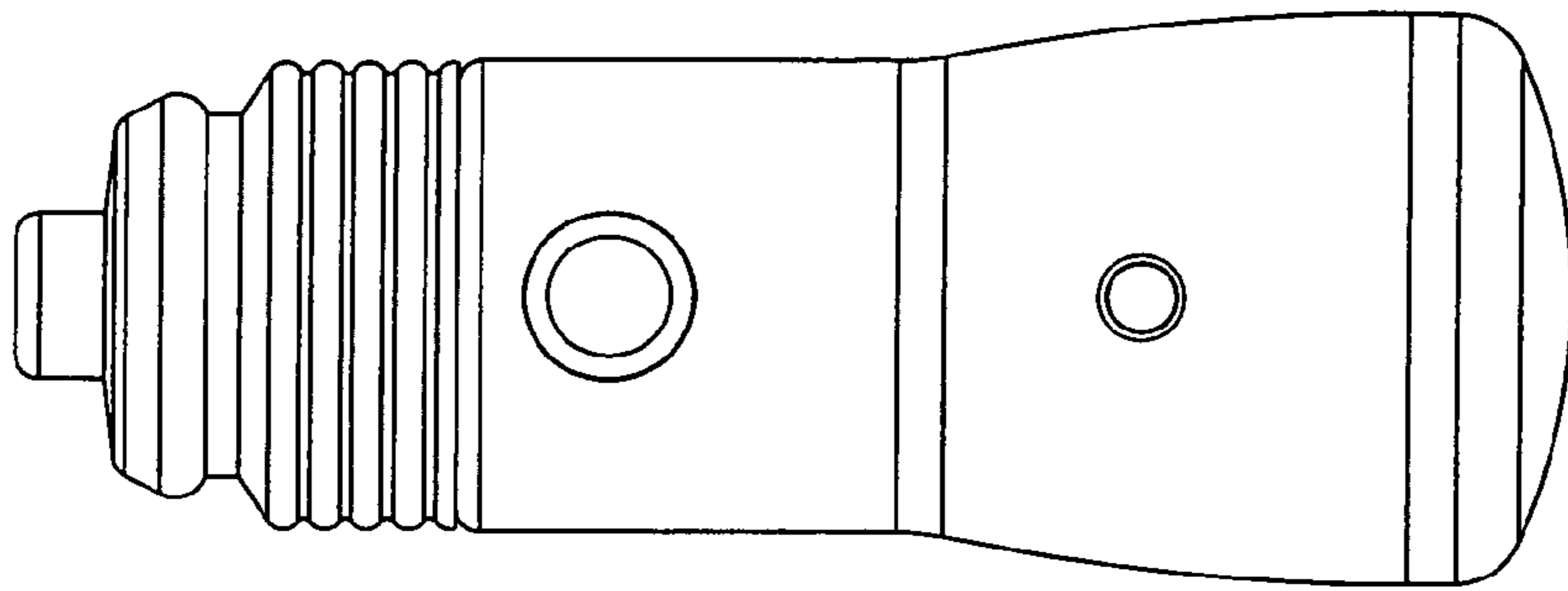


FIG. 4

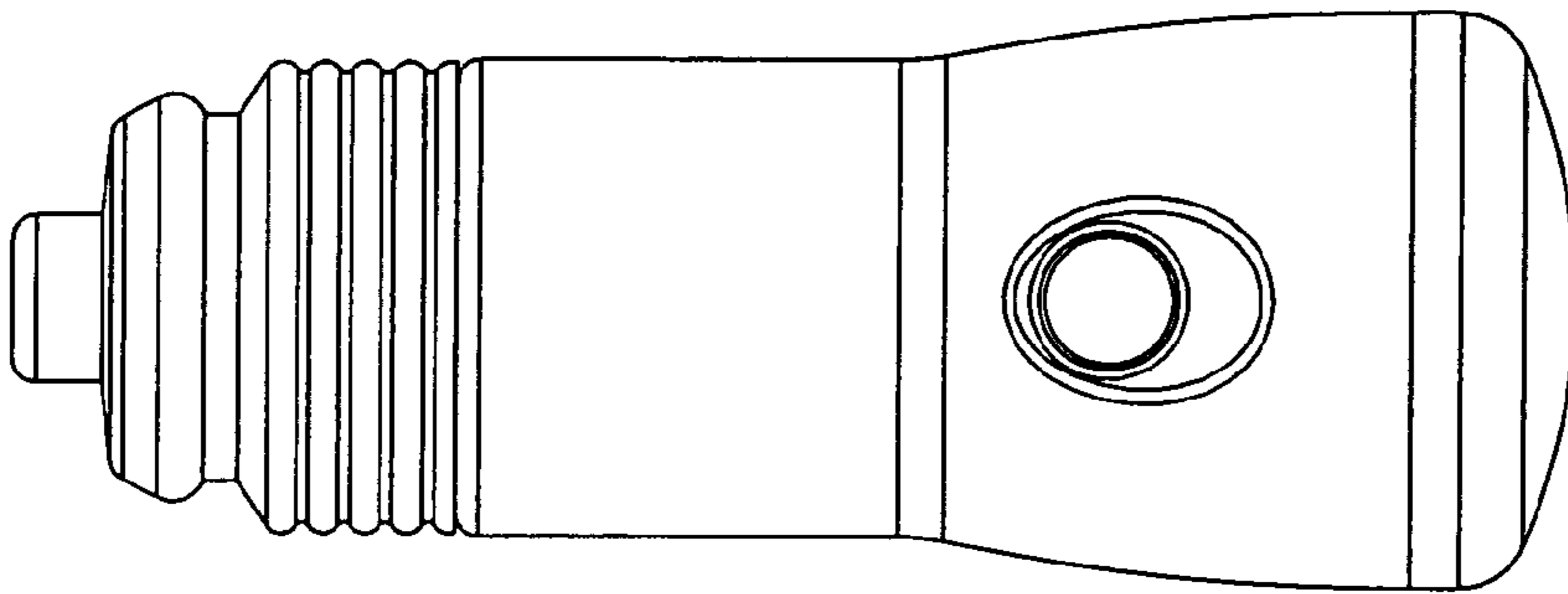


FIG. 5

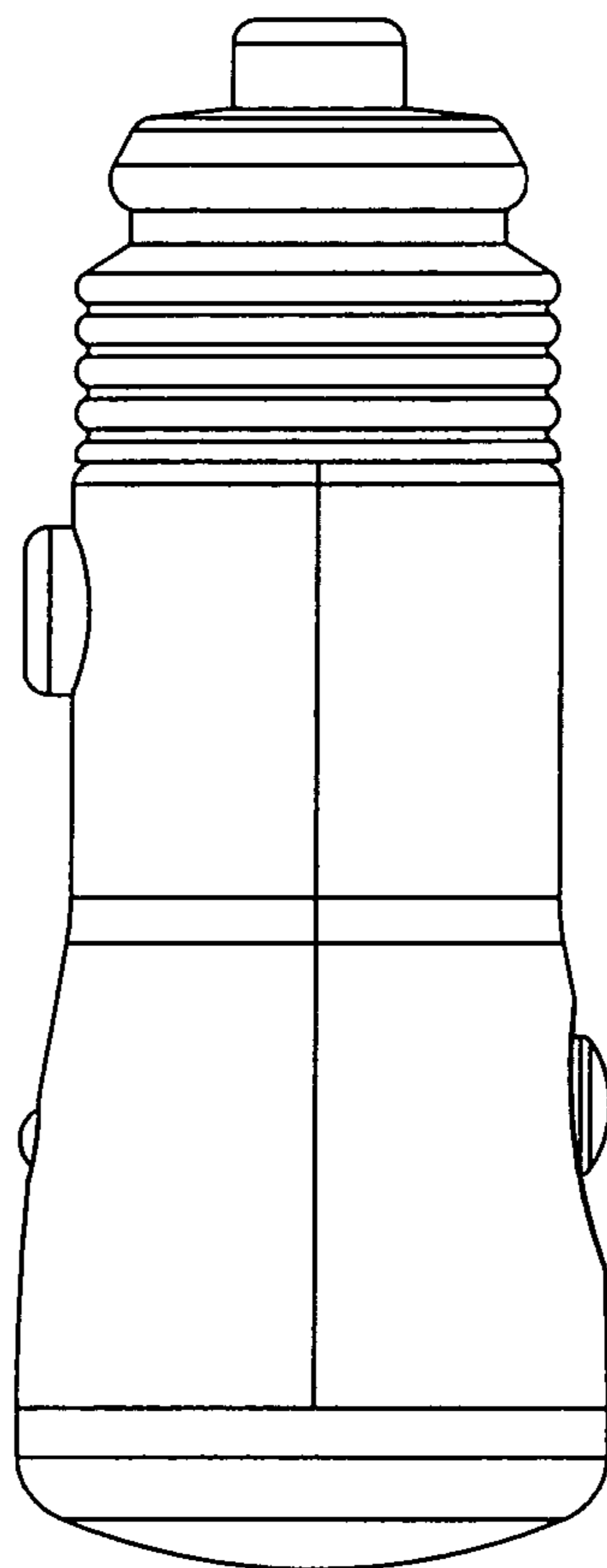


FIG. 6

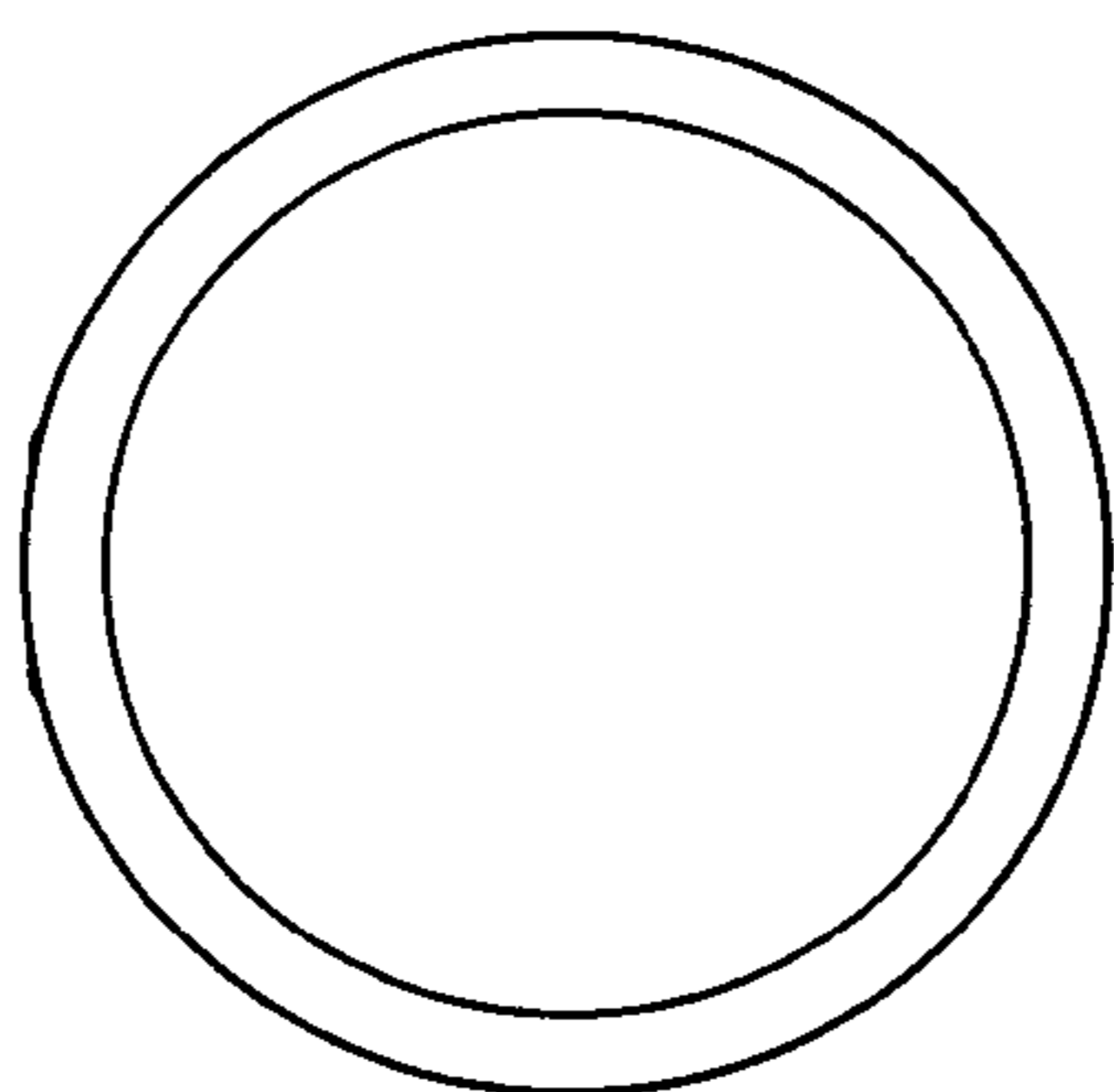


FIG. 7