

US00D544620S

(12) **United States Design Patent**  
**Son**

(10) **Patent No.:** **US D544,620 S**

(45) **Date of Patent:** **\*\* Jun. 12, 2007**

(54) **LIGHT-EMITTING DIODE (LED)**

D511,147 S \* 11/2005 Suenaga ..... D13/180

(75) Inventor: **Won Jin Son**, Gwangju (KR)

\* cited by examiner

(73) Assignee: **LG Innotek Co., Ltd**, Seoul (KR)

*Primary Examiner*—Marcus A. Jackson

(\*\*) Term: **14 Years**

(74) *Attorney, Agent, or Firm*—Birch, Stewart, Kolasch & Birch, LLP

(21) Appl. No.: **29/263,985**

(57) **CLAIM**

(22) Filed: **Aug. 2, 2006**

The ornamental design for a light-emitting diode (LED), as shown and described.

(30) **Foreign Application Priority Data**

Feb. 3, 2006 (KR) ..... 30-2006-0004047

**DESCRIPTION**

(51) **LOC (8) Cl.** ..... **26-02**

FIG. 1 is a perspective view of the light-emitting diode (LED) showing my new design;

(52) **U.S. Cl.** ..... **D26/37**

FIG. 2 is a front view thereof;

(58) **Field of Classification Search** ..... D26/37-50;  
313/161; 345/39, 46, 82, 84

FIG. 3 is a rear view thereof;

See application file for complete search history.

FIG. 4 is a left side view thereof;

FIG. 5 is a right side view thereof;

FIG. 6 is a top view thereof; and,

FIG. 7 is a bottom view thereof.

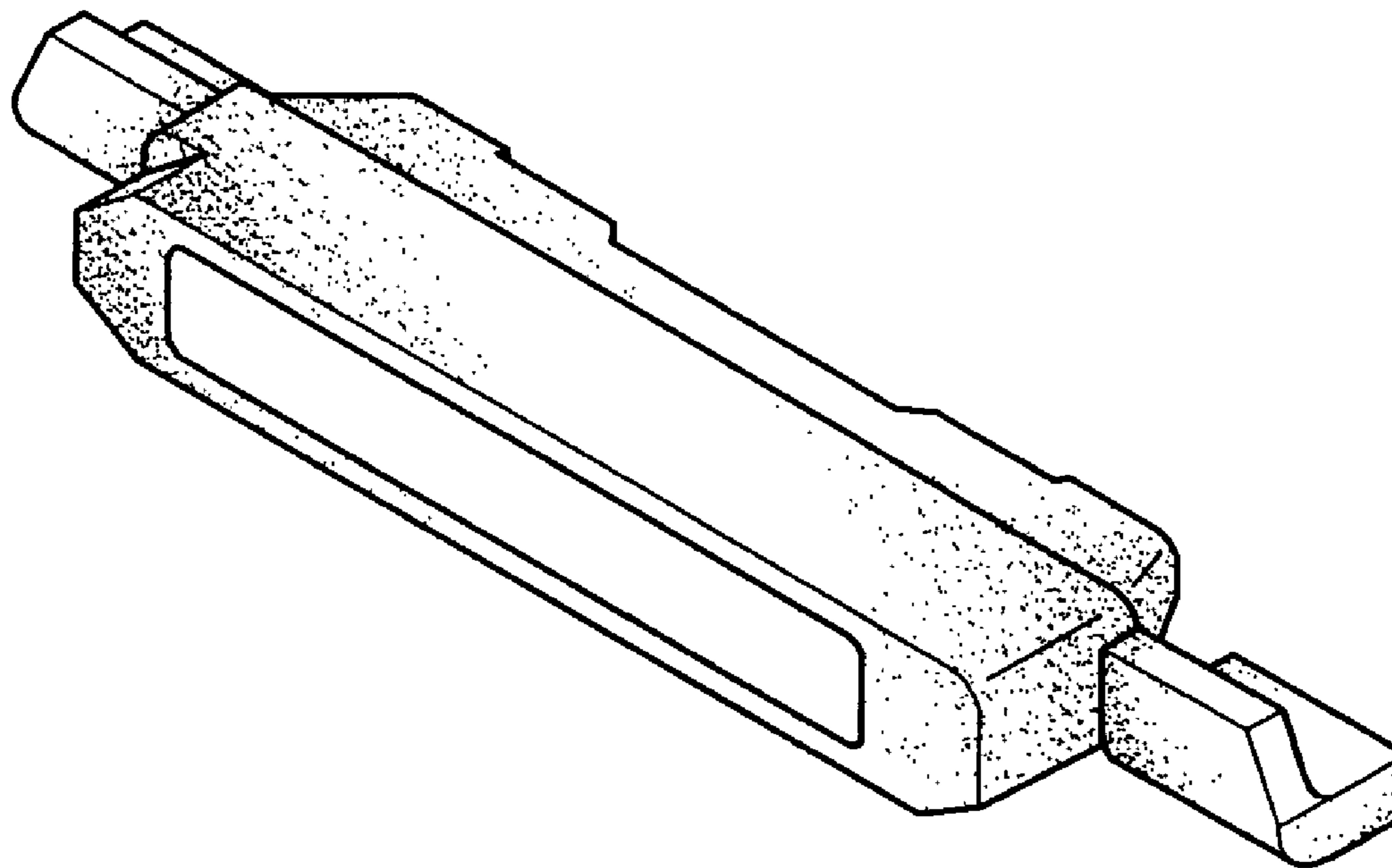
(56) **References Cited**

**U.S. PATENT DOCUMENTS**

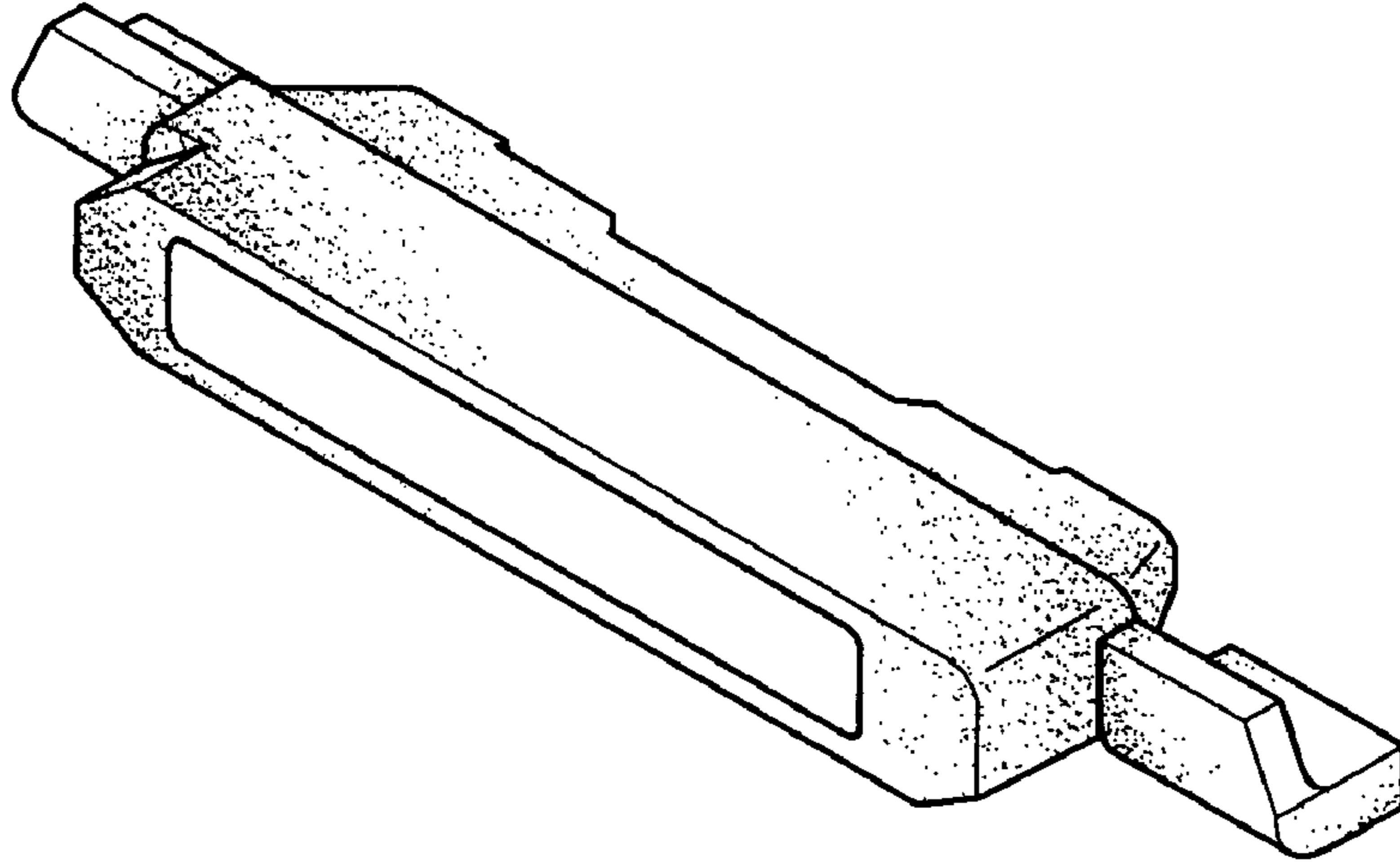
D497,349 S \* 10/2004 Hoshiba ..... D13/180

D503,388 S \* 3/2005 Ishida ..... D13/180

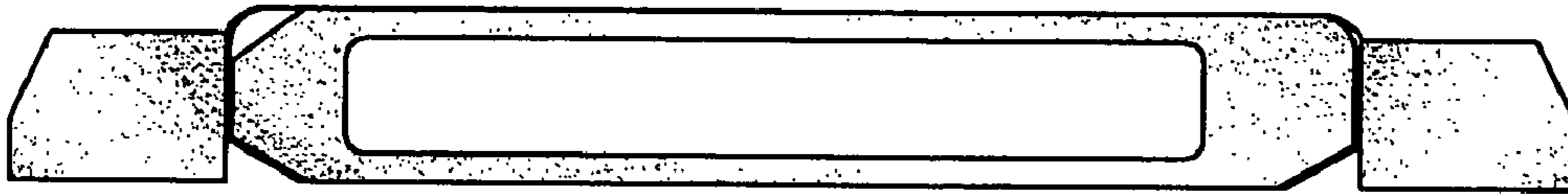
**1 Claim, 2 Drawing Sheets**



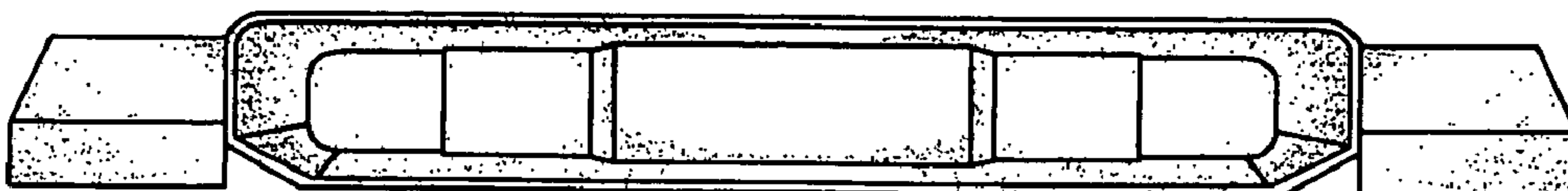
**FIG. 1**



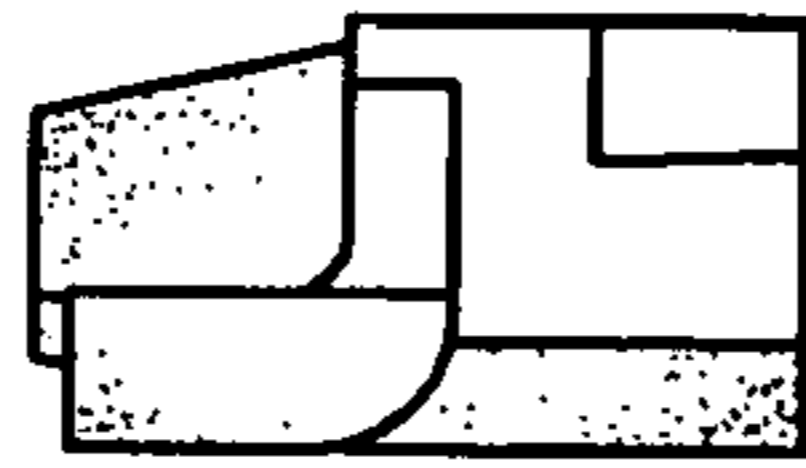
**FIG. 2**



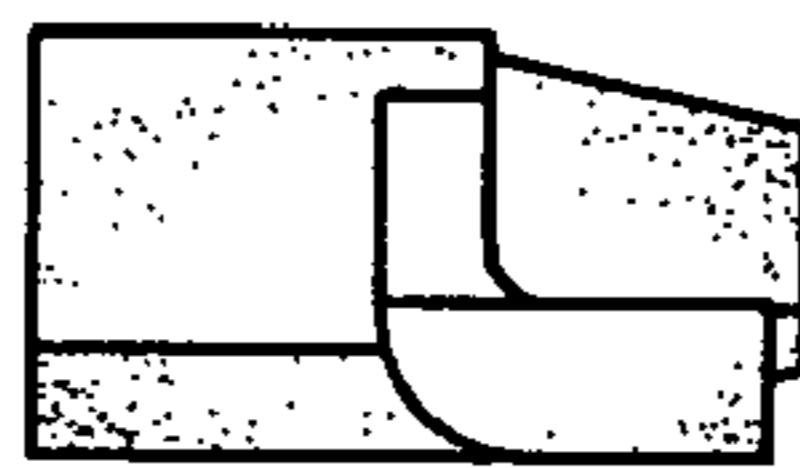
**FIG. 3**



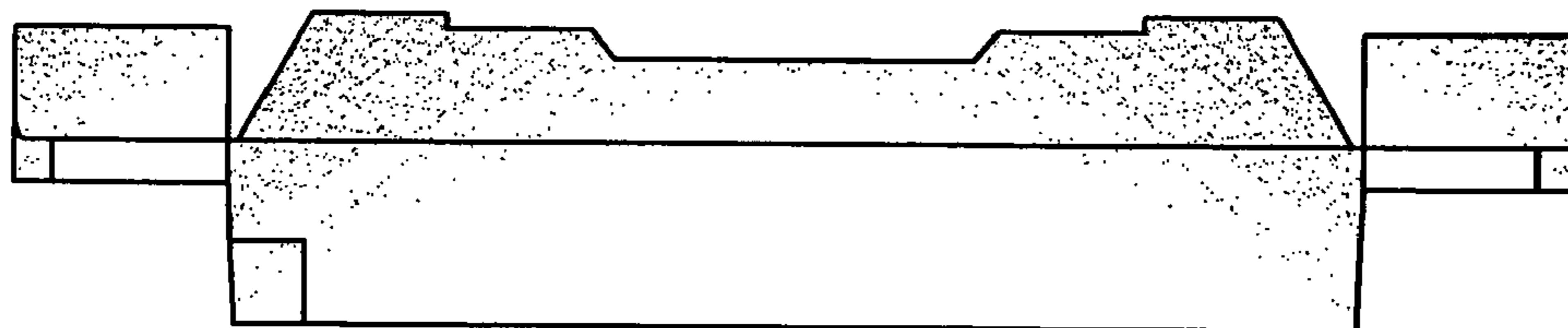
**FIG. 4**



**FIG. 5**



**FIG. 6**



**FIG. 7**

