



US00D544618S

(12) **United States Design Patent**
Coushaine

(10) **Patent No.:** **US D544,618 S**
(45) **Date of Patent:** **** Jun. 12, 2007**

(54) **PORTABLE LAMP**

(75) Inventor: **Charles M. Coushaine**, Rindge, NH
(US)

(73) Assignee: **Osram Sylvania, Inc.**, Danvers, MA
(US)

(**) Term: **14 Years**

(21) Appl. No.: **29/248,421**

(22) Filed: **Aug. 15, 2006**

Related U.S. Application Data

(63) Continuation of application No. 29/235,674, filed on
Aug. 4, 2005.

(51) **LOC (8) Cl.** **26-02**

(52) **U.S. Cl.** **D26/37**

(58) **Field of Classification Search** D26/80,
D26/93, 36, 40, 65, 74, 104, 128, 24, 51,
D26/72, 118, 120, 124, 35, 39, 37, 49, 85,
D26/86, 102, 108, 112, 152, 123; D13/179,
D13/180; D10/114, 115, 116; 362/640,
362/352, 362, 331, 611, 612, 613, 11, 186,
362/641, 644, 267, 334, 335, 340, 350, 363,
362/517, 189, 173, 184, 200, 243, 800, 321

See application file for complete search history.

(56) **References Cited**

U.S. PATENT DOCUMENTS

- D76,636 S * 10/1928 Ryan D26/123
- D79,855 S * 11/1929 Schnell D26/36
- D99,105 S 3/1936 Arenberg
- D104,233 S 4/1937 Arenberg
- D128,125 S 5/1941 Rutledge
- 2,640,980 A * 6/1953 Prupis 340/321

- D207,930 S * 6/1967 Kotler D10/111
- D215,481 S 10/1969 Dawson
- D286,446 S * 10/1986 Caroli et al. D26/123
- D341,441 S 11/1993 Shapiro
- D341,442 S 11/1993 Shapiro
- D431,307 S 9/2000 Zelina, Jr. et al.
- 6,288,498 B1 9/2001 Cheng
- D458,395 S * 6/2002 Piepgras et al. D26/26
- D475,802 S 6/2003 Homann
- D476,105 S 6/2003 Alsobrook
- D482,486 S * 11/2003 Demers D26/85
- 6,641,283 B1 11/2003 Bohler
- D484,270 S 12/2003 Yiu
- 7,125,146 B2 * 10/2006 Willis et al. 362/267
- 2006/0176703 A1 8/2006 Cayton et al.
- 2006/0250789 A1 * 11/2006 Coushaine 362/157

* cited by examiner

Primary Examiner—Ian Simmons

Assistant Examiner—Carissa Fitts

(74) *Attorney, Agent, or Firm*—Sterne, Kessler, Goldstein &
Fox P.L.L.C.

(57) **CLAIM**

The ornamental design for a portable lamp, as shown and
described.

DESCRIPTION

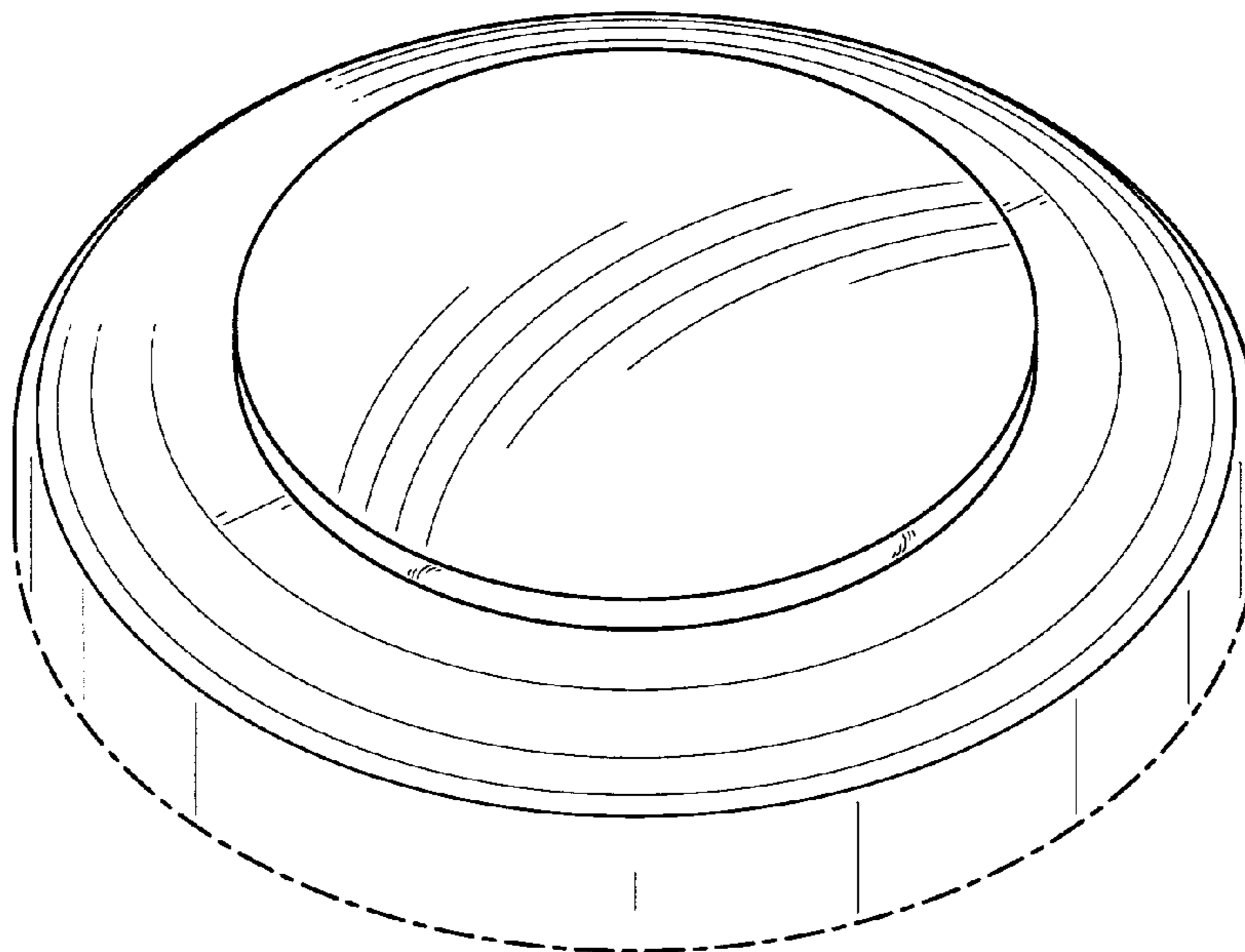
FIG. 1 is a perspective view of a portable lamp showing a
new design;

FIG. 2 is a top view thereof; and,

FIG. 3 is a side view thereof, the opposite view being a
mirror image thereto.

The broken line showing is included for the purpose of
illustrating only and forms no part of the claimed design.

1 Claim, 3 Drawing Sheets



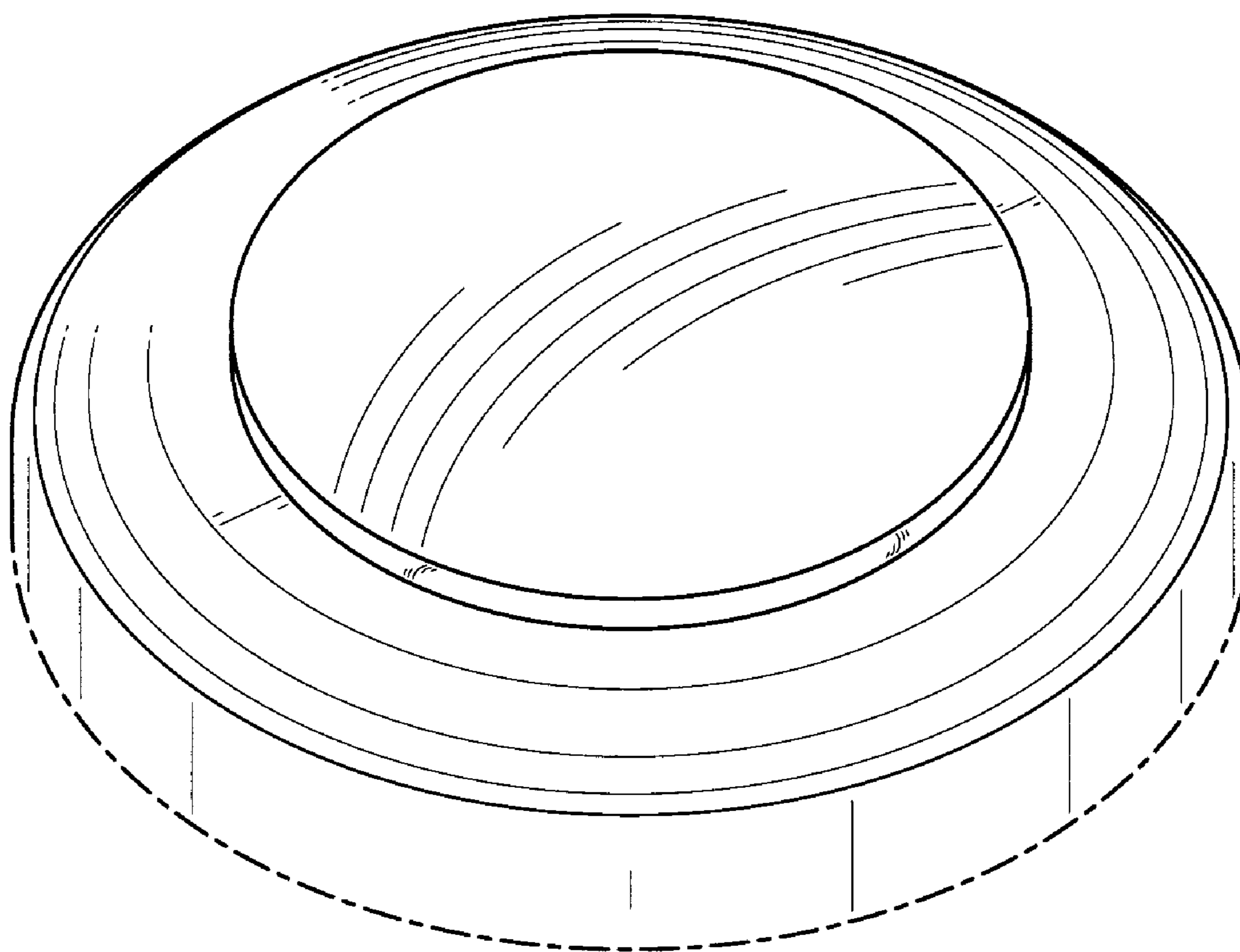


FIG. 1

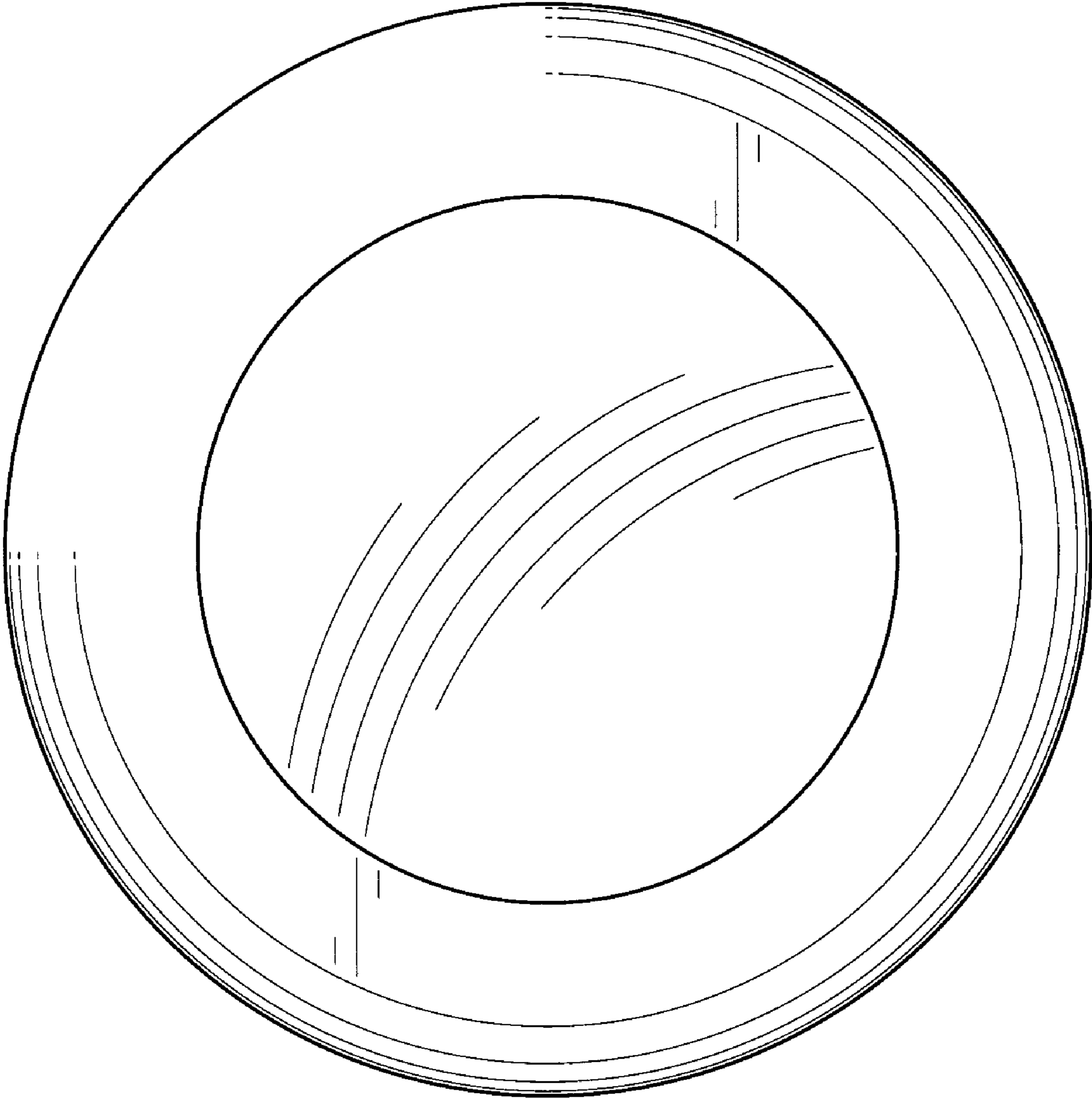


FIG. 2

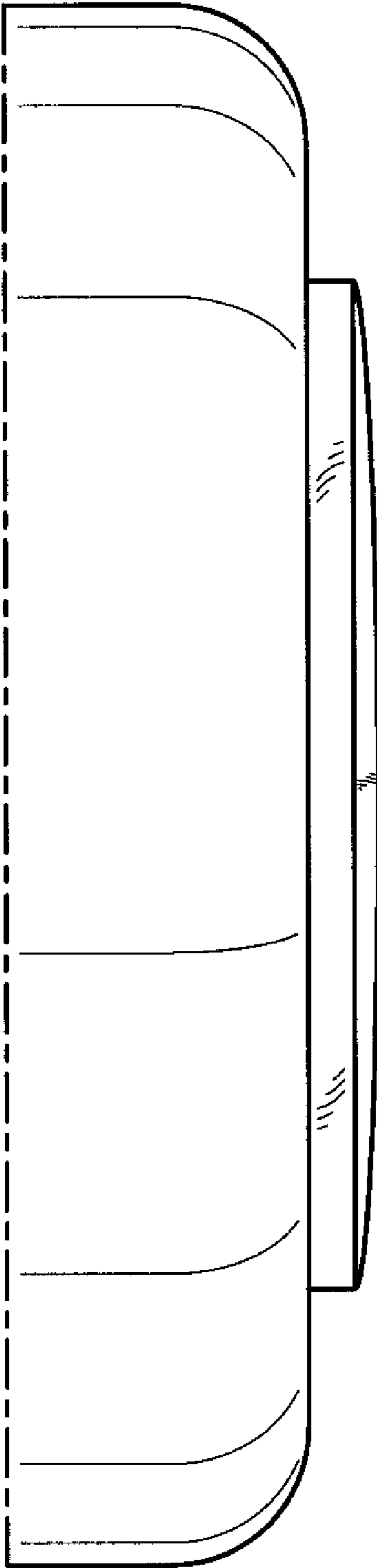


FIG. 3