



US00D544617S

(12) **United States Design Patent**  
**Johnson**

(10) **Patent No.:** **US D544,617 S**

(45) **Date of Patent:** **\*\* Jun. 12, 2007**

(54) **LANTERN**

(76) Inventor: **Daniel L. Johnson**, 424 Hillcrest Way,  
Woodside, CA (US) 94062

(\*\*) Term: **14 Years**

(21) Appl. No.: **29/246,921**

(22) Filed: **May 22, 2006**

(51) **LOC (8) Cl.** ..... **26-02**

(52) **U.S. Cl.** ..... **D26/37; D26/40**

(58) **Field of Classification Search** ..... D26/37,  
D26/38, 40, 49, 41, 48, 51, 52, 46, 50; D8/300,  
D8/302, 308-400, 338, 337, 344; 362/183,  
362/184, 200, 201, 208, 266, 267, 800, 555,  
362/612, 613, 158, 157, 171-174; 292/74,  
292/198, 336.3, 200, 202, 210, DIG. 31,  
292/DIG. 33, DIG. 20; 322/1; 16/429,  
16/900; 74/545, 543, 528, 547; 49/324,  
49/450; 70/209, 208

See application file for complete search history.

(56) **References Cited**

**U.S. PATENT DOCUMENTS**

1,765,110	A	6/1930	Stroke	
1,904,248	A	4/1933	Pixley et al.	
D190,674	S *	6/1961	Hoenisch et al. ....	D26/41
D229,218	S *	11/1973	Curtis et al. ....	D26/41
D232,756	S	9/1974	Oakley et al.	
4,360,860	A *	11/1982	Johnson et al. ....	362/192
4,701,835	A *	10/1987	Campagnuolo et al. ....	362/192
D312,317	S	11/1990	Tang	
5,192,126	A	3/1993	Remeyer et al.	
5,274,609	A	12/1993	Bradley	
D343,242	S	1/1994	Poon	
D369,741	S *	5/1996	Harrison et al. ....	D8/400
D374,296	S	10/1996	Lo	
D389,930	S	1/1998	Lo	
D424,726	S	5/2000	Petterson et al.	
D434,163	S	11/2000	Lee	

D450,867	S	11/2001	Long et al.
D451,220	S	11/2001	Long et al.
6,394,630	B1	5/2002	Skidmore et al.
D462,469	S	9/2002	Poon
D464,451	S	10/2002	Poon

(Continued)

*Primary Examiner*—Ian Simmons  
*Assistant Examiner*—Carissa Fitts  
(74) *Attorney, Agent, or Firm*—Lieberman & Brandsdorfer,  
LLC

(57) **CLAIM**

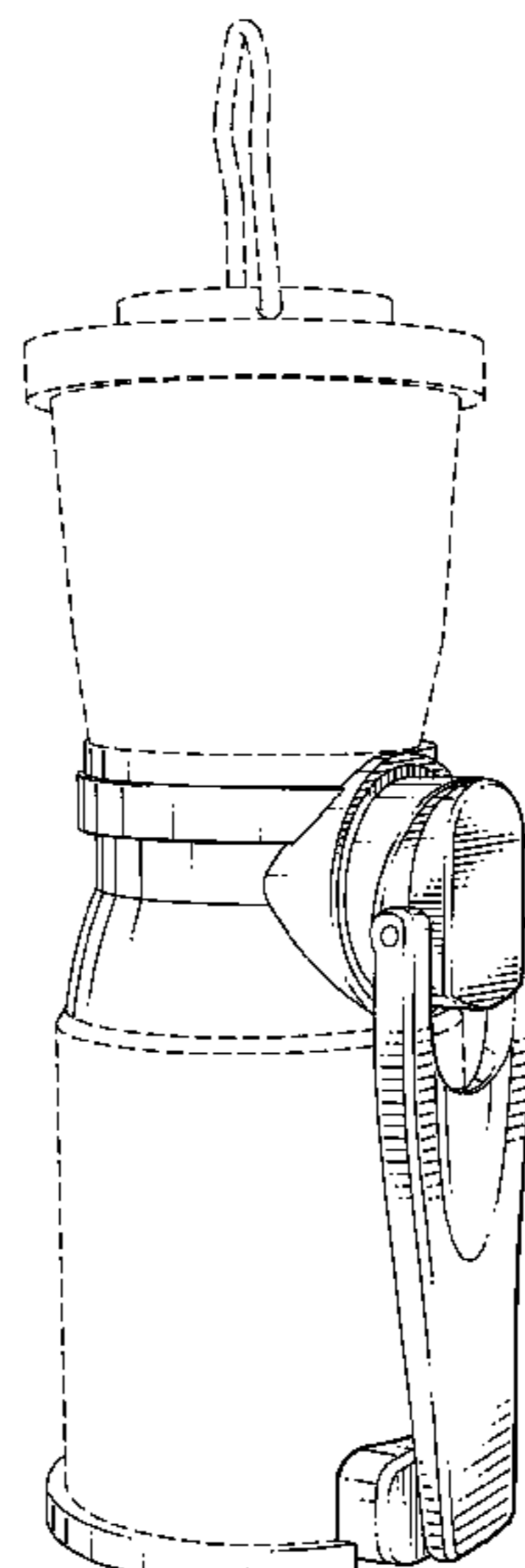
The ornamental design for a lantern, as shown and described.

**DESCRIPTION**

FIG. 1 is a right side perspective view of a lantern with a handle in a stored position, showing the new design;  
FIG. 2 is a front elevational view taken from FIG. 1;  
FIG. 3 is a back elevational view taken from FIG. 1;  
FIG. 4 is a side elevational view taken from FIG. 1;  
FIG. 5 is a top plan view taken from FIG. 1;  
FIG. 6 is a bottom plan view taken from FIG. 1;  
FIG. 7 is a right side perspective view of a lantern with a handle in a raised position, showing the new design;  
FIG. 8 is a front elevational view taken from FIG. 7;  
FIG. 9 is a back elevational view taken from FIG. 7;  
FIG. 10 is a right side elevational view taken from FIG. 7;  
FIG. 11 is a left side elevational view taken from FIG. 7;  
FIG. 12 is a top plan view taken from FIG. 7; and,  
FIG. 13 is a bottom plan view taken from FIG. 7.

The broken line showing is for illustrative purposes only and forms no part of the claimed design.

**1 Claim, 11 Drawing Sheets**



# US D544,617 S

Page 2

---

## U.S. PATENT DOCUMENTS

D468,039 S	12/2002	Poon	
6,550,932 B2	4/2003	Poon	
D485,928 S *	1/2004	Leung et al.	..... D26/40
D486,598 S	2/2004	Lo	
D487,809 S	3/2004	Leung et al.	
D503,006 S	3/2005	May et al.	
D509,920 S	9/2005	Fritz et al.	
D509,921 S	9/2005	Lam	
D513,335 S *	12/2005	Lee	..... D26/37
D518,211 S	3/2006	Krieger et al.	
D524,470 S *	7/2006	Lee	..... D26/37
D532,133 S *	11/2006	Holsinger et al.	..... D26/40
2004/0209210 A1	10/2004	Long	
2005/0213216 A1	9/2005	May et al.	
2005/0286254 A1	12/2005	Richardson et al.	

\* cited by examiner

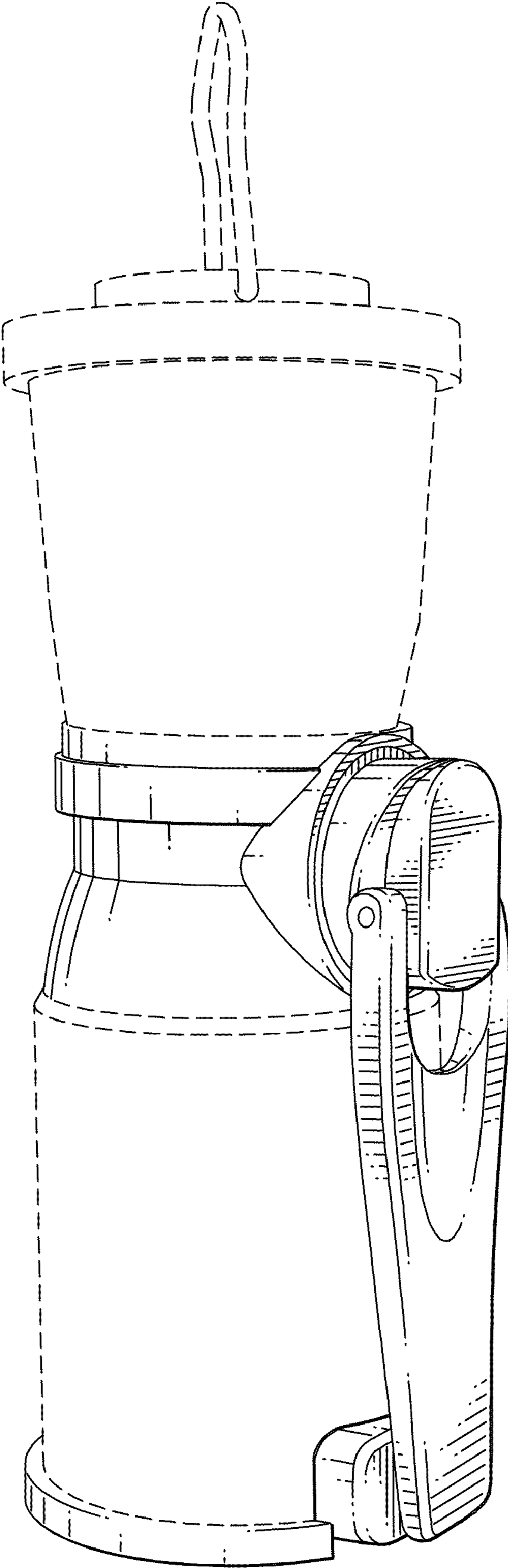


FIG. 1

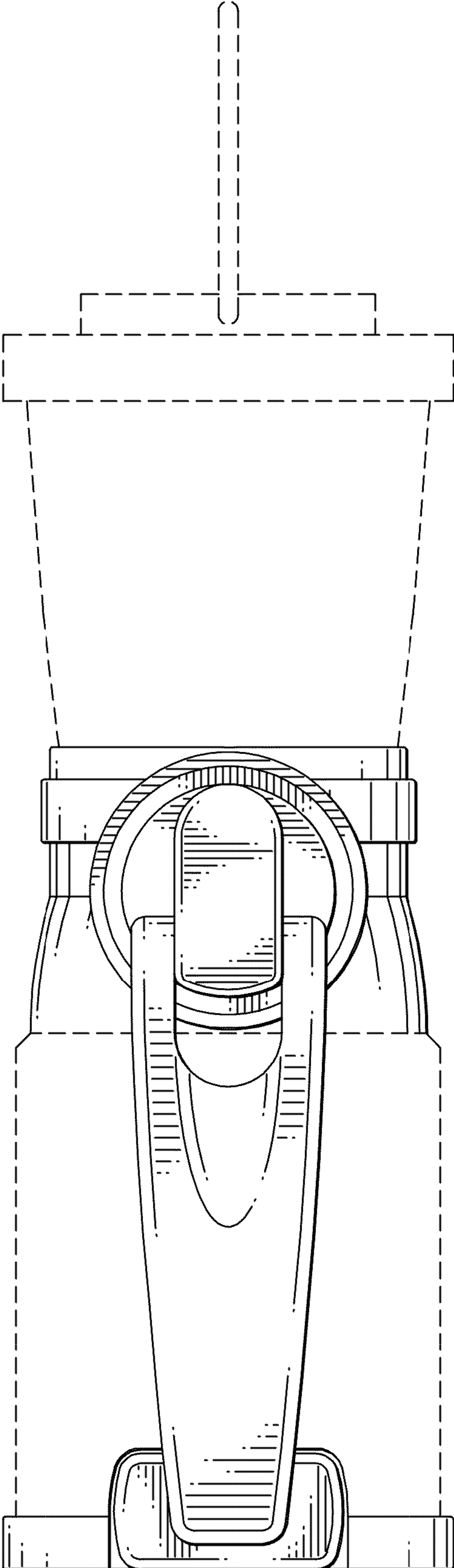


FIG. 2

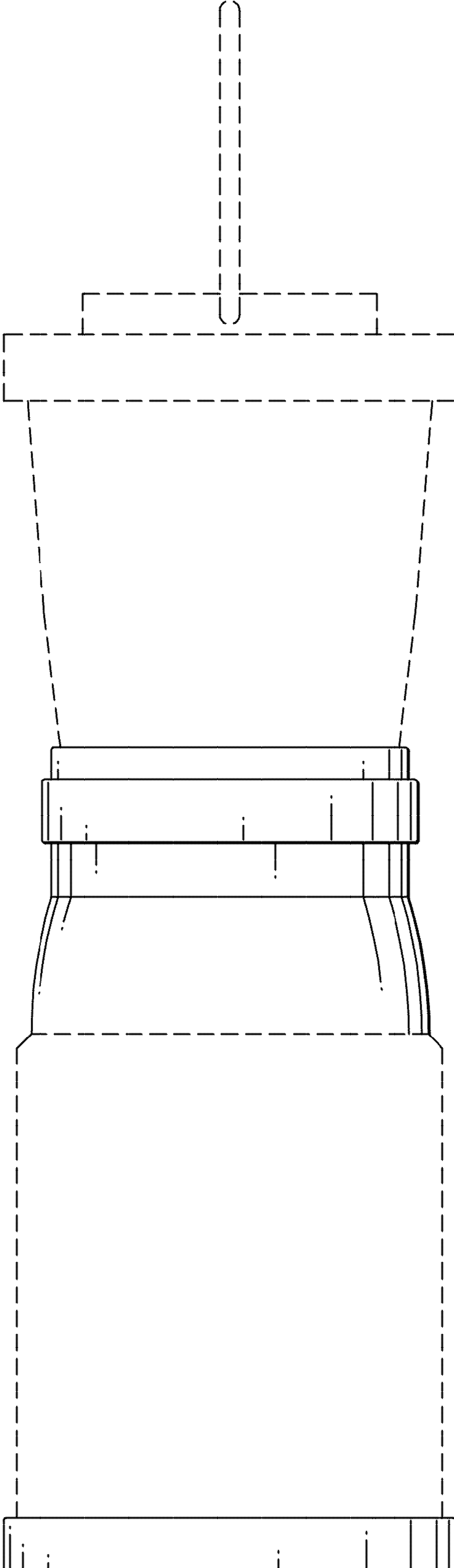


FIG. 3

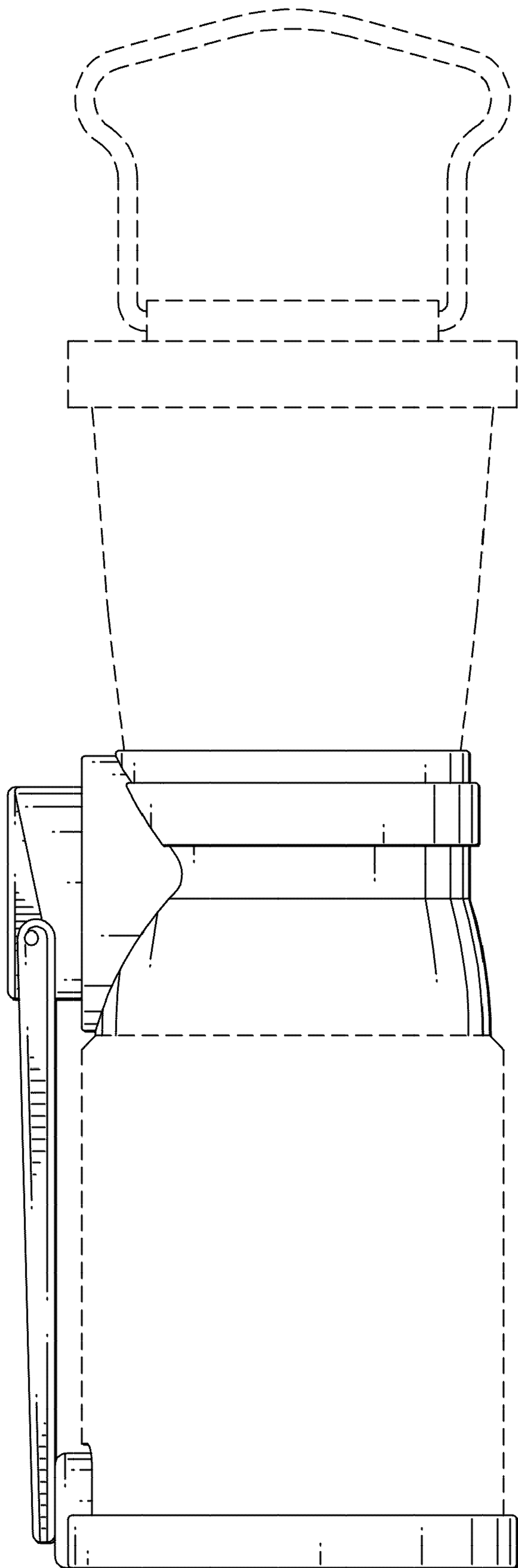


FIG. 4

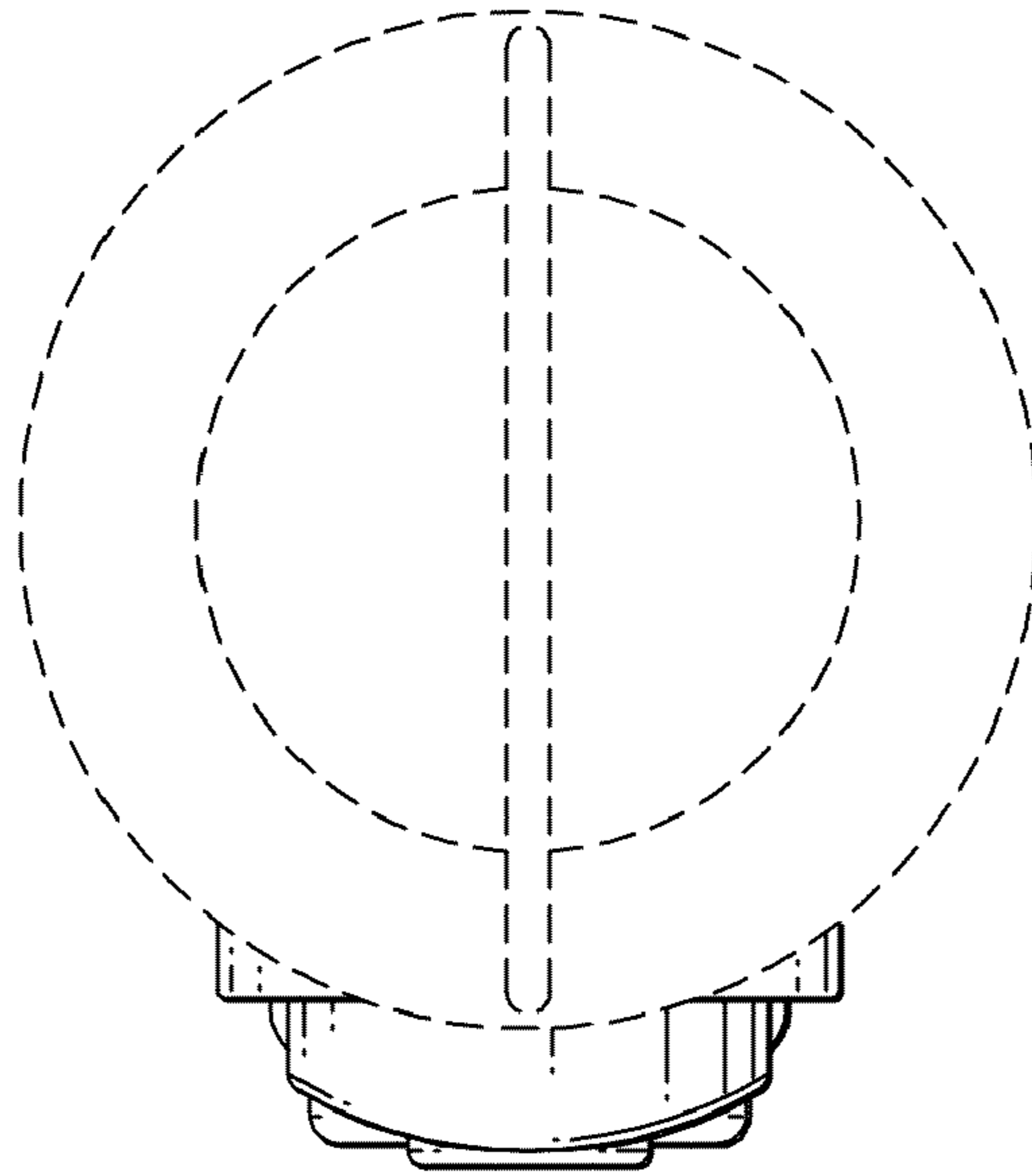


FIG. 5

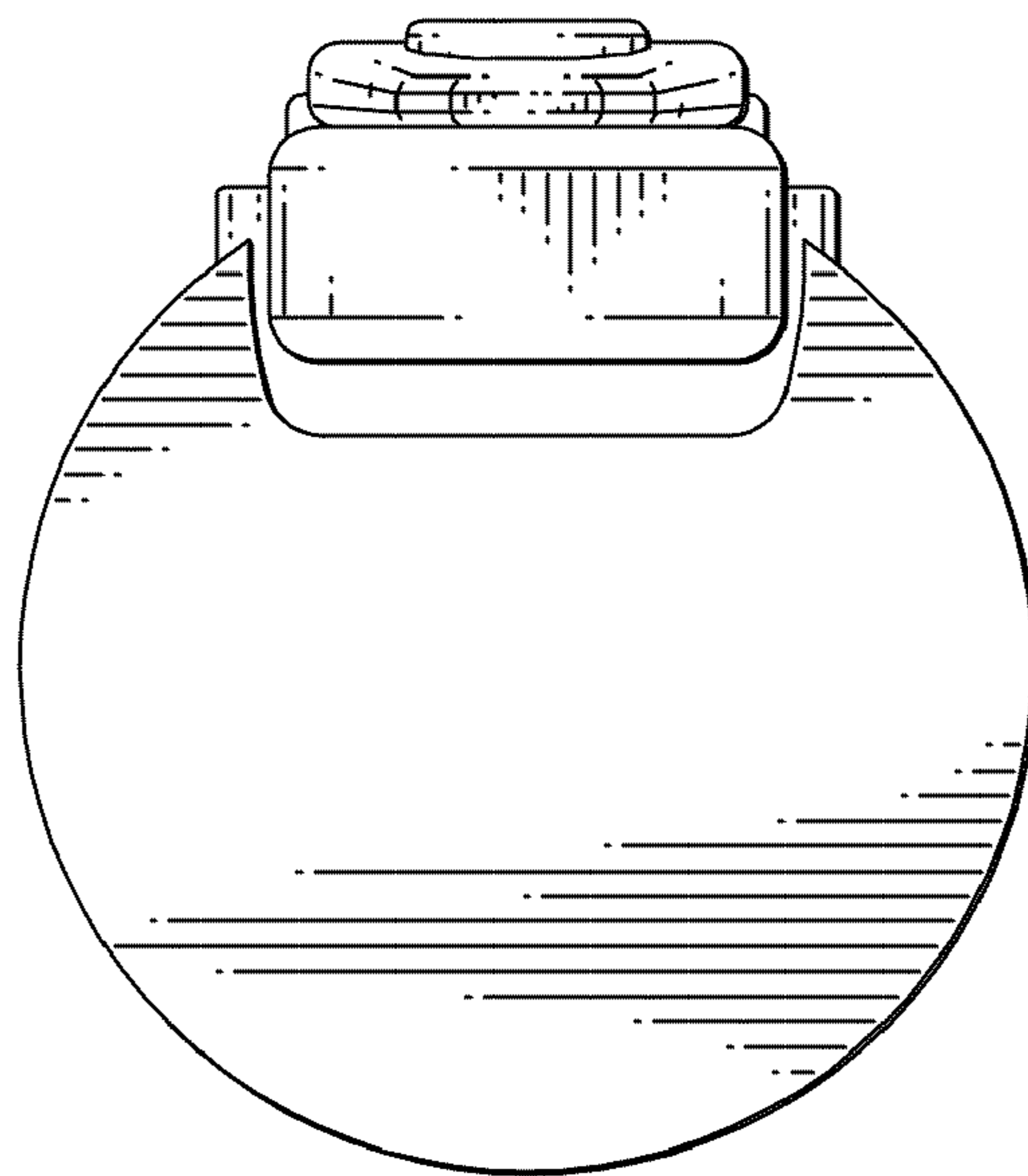


FIG. 6

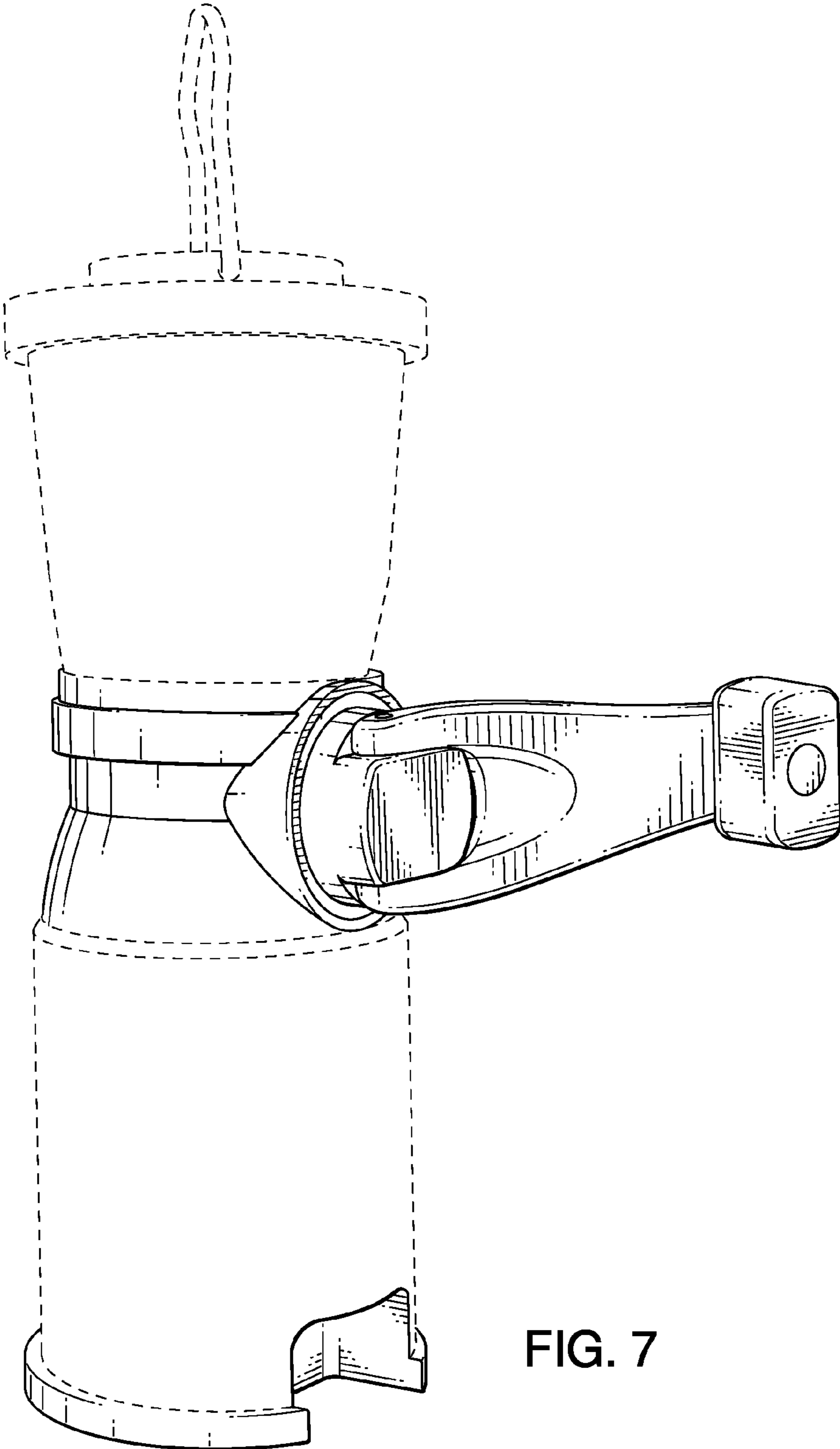


FIG. 7



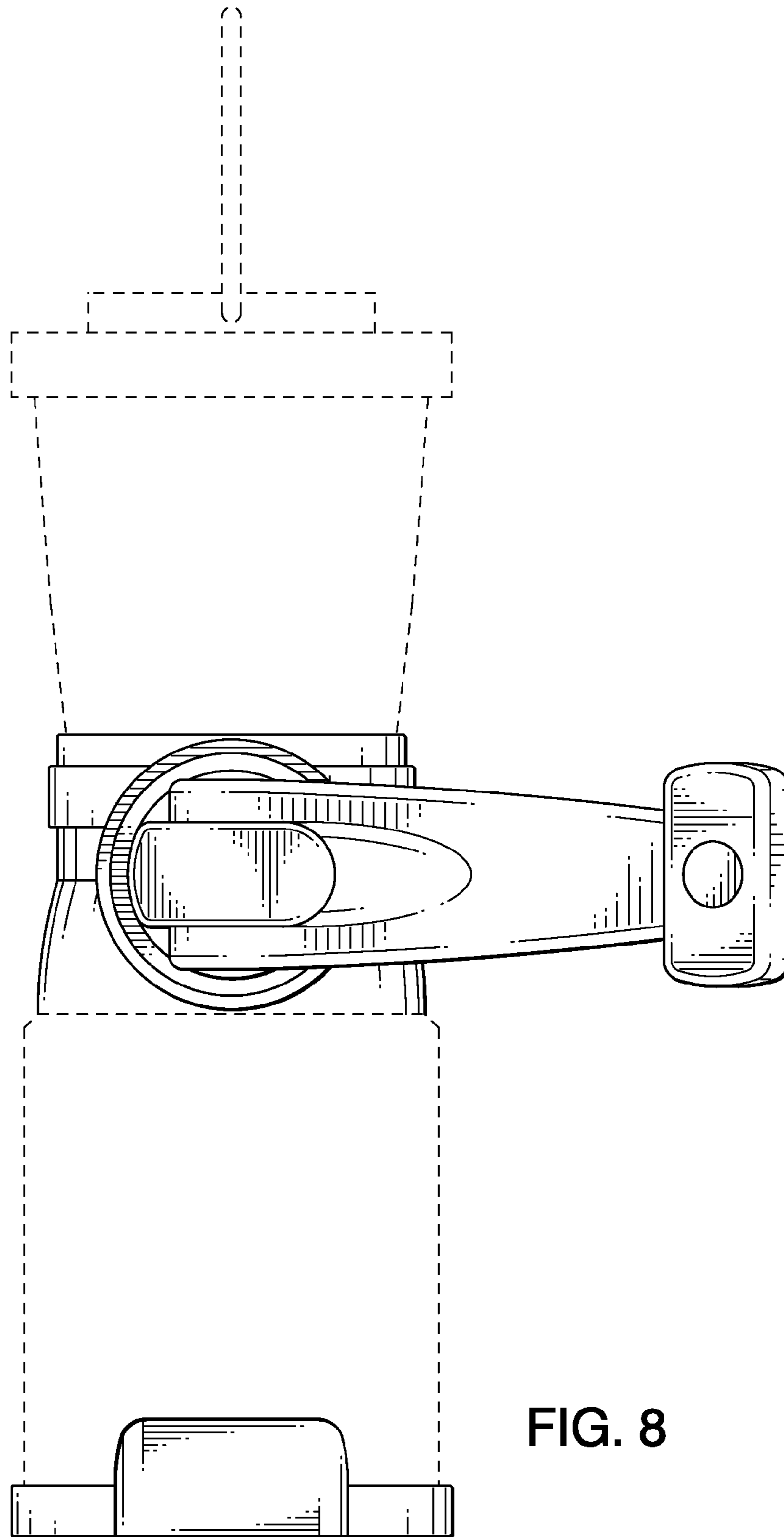
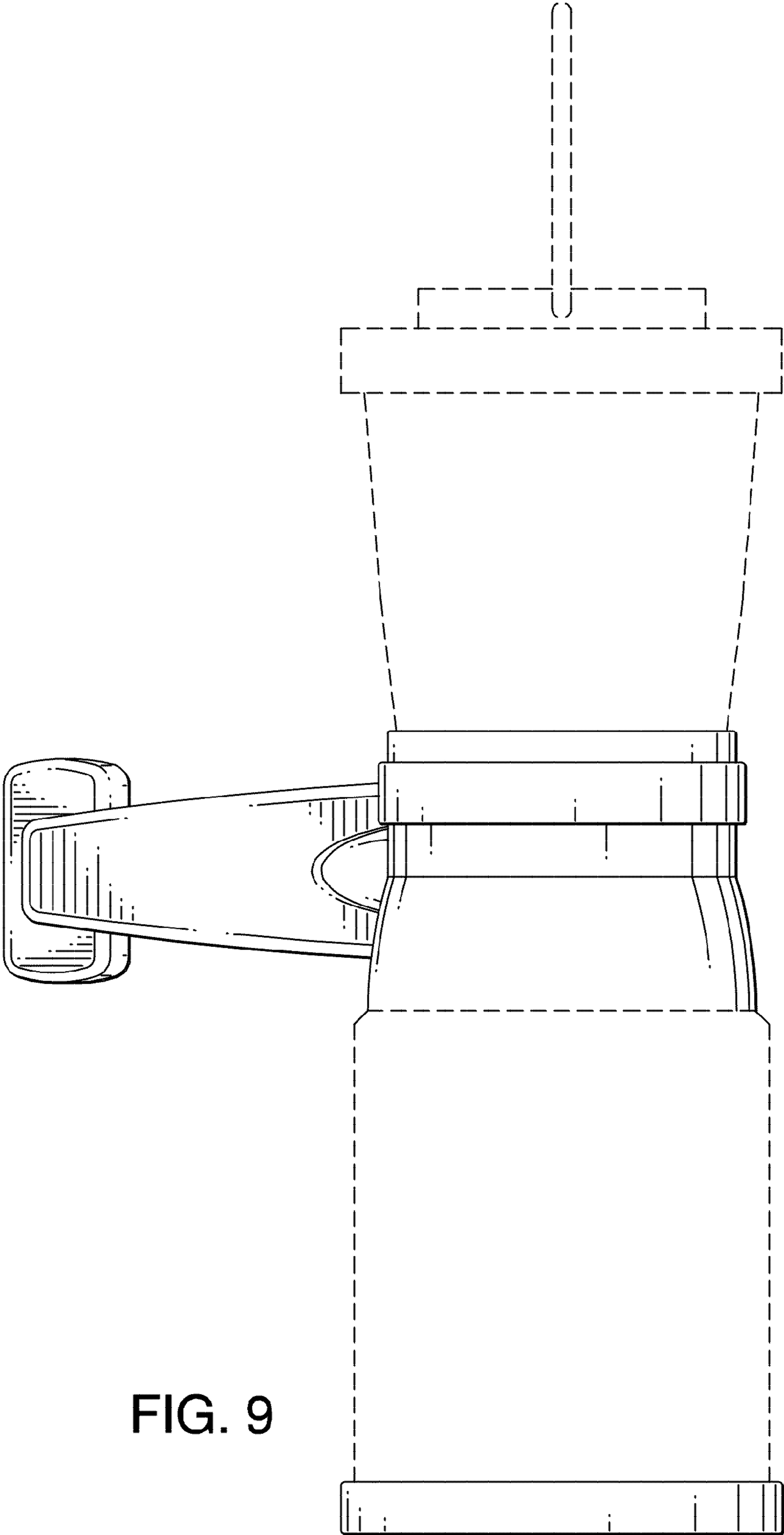


FIG. 8



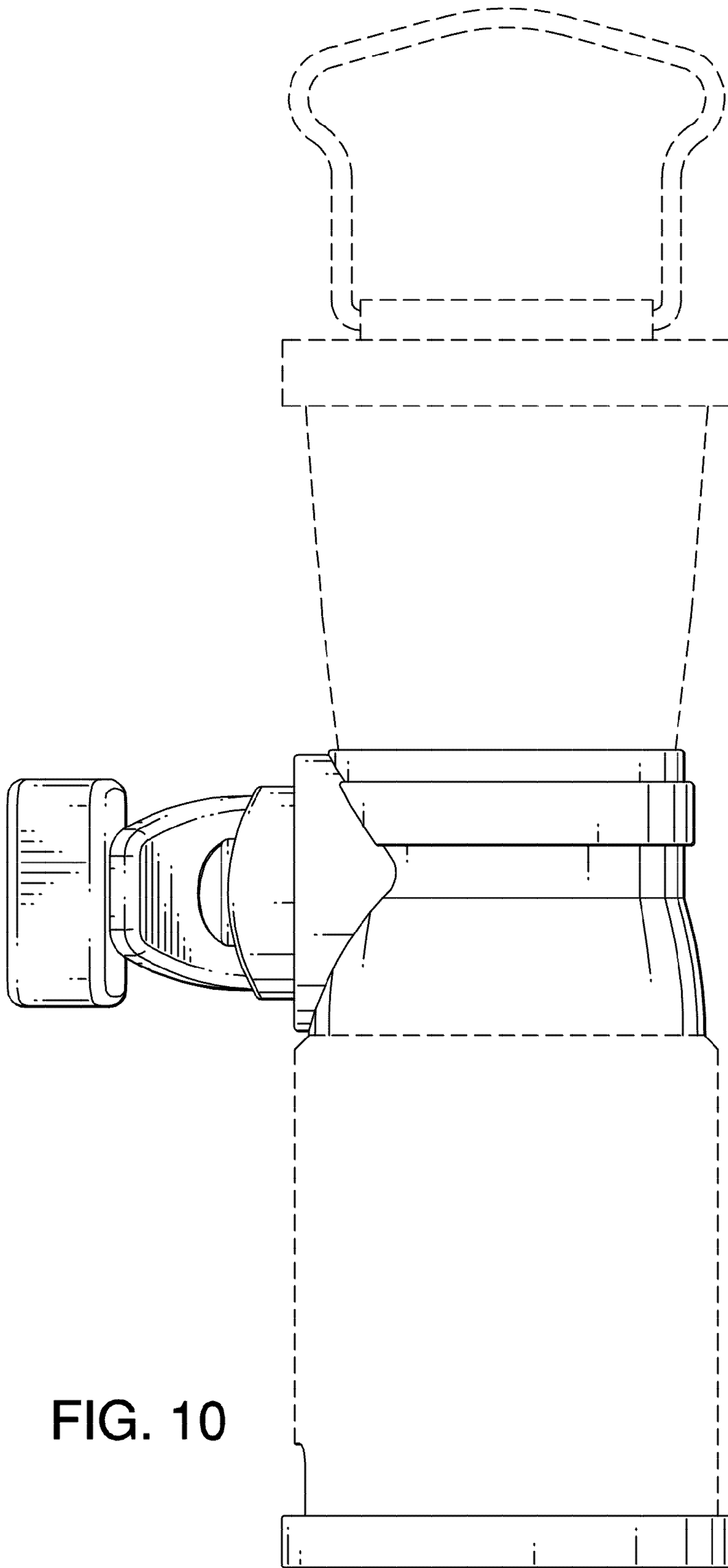


FIG. 10

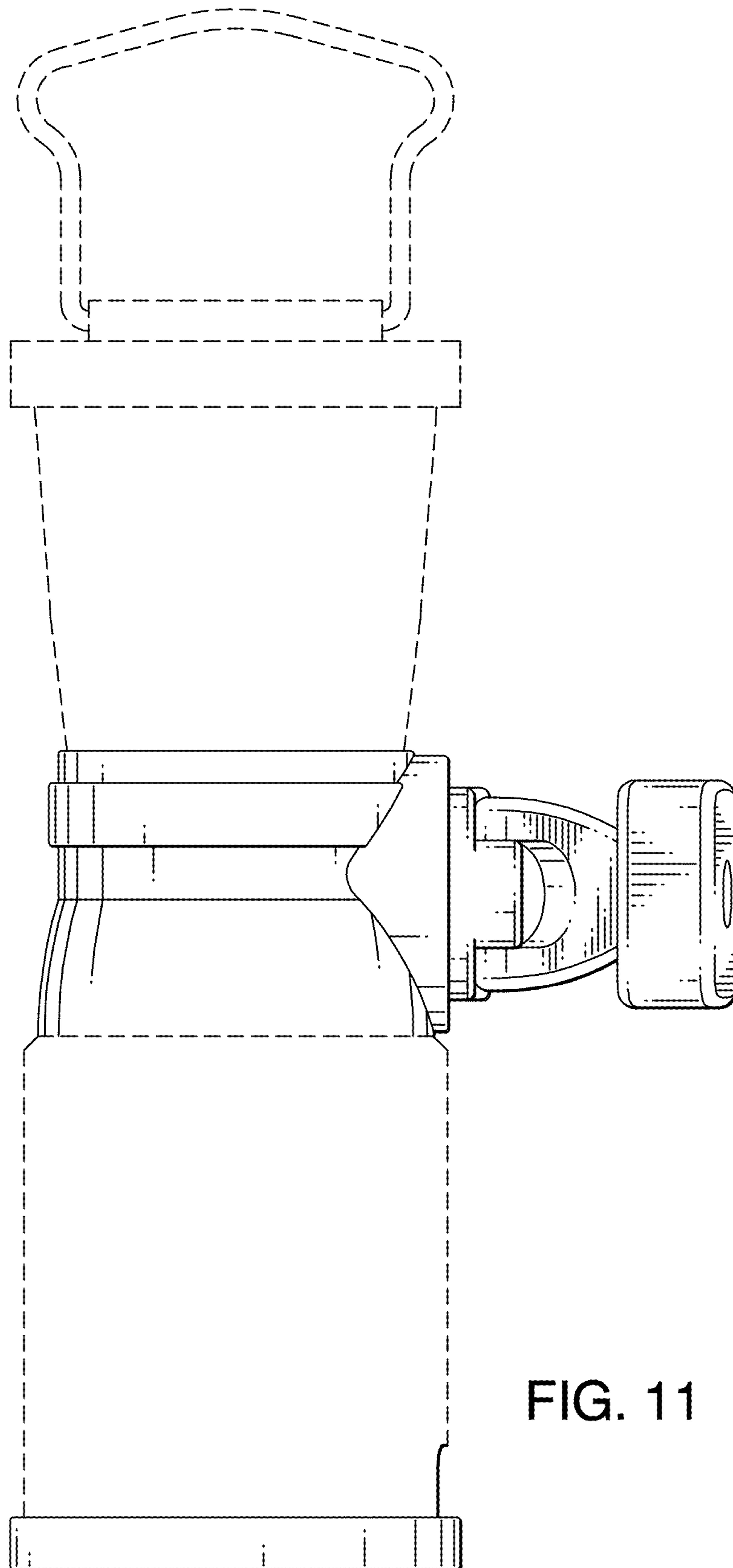


FIG. 11

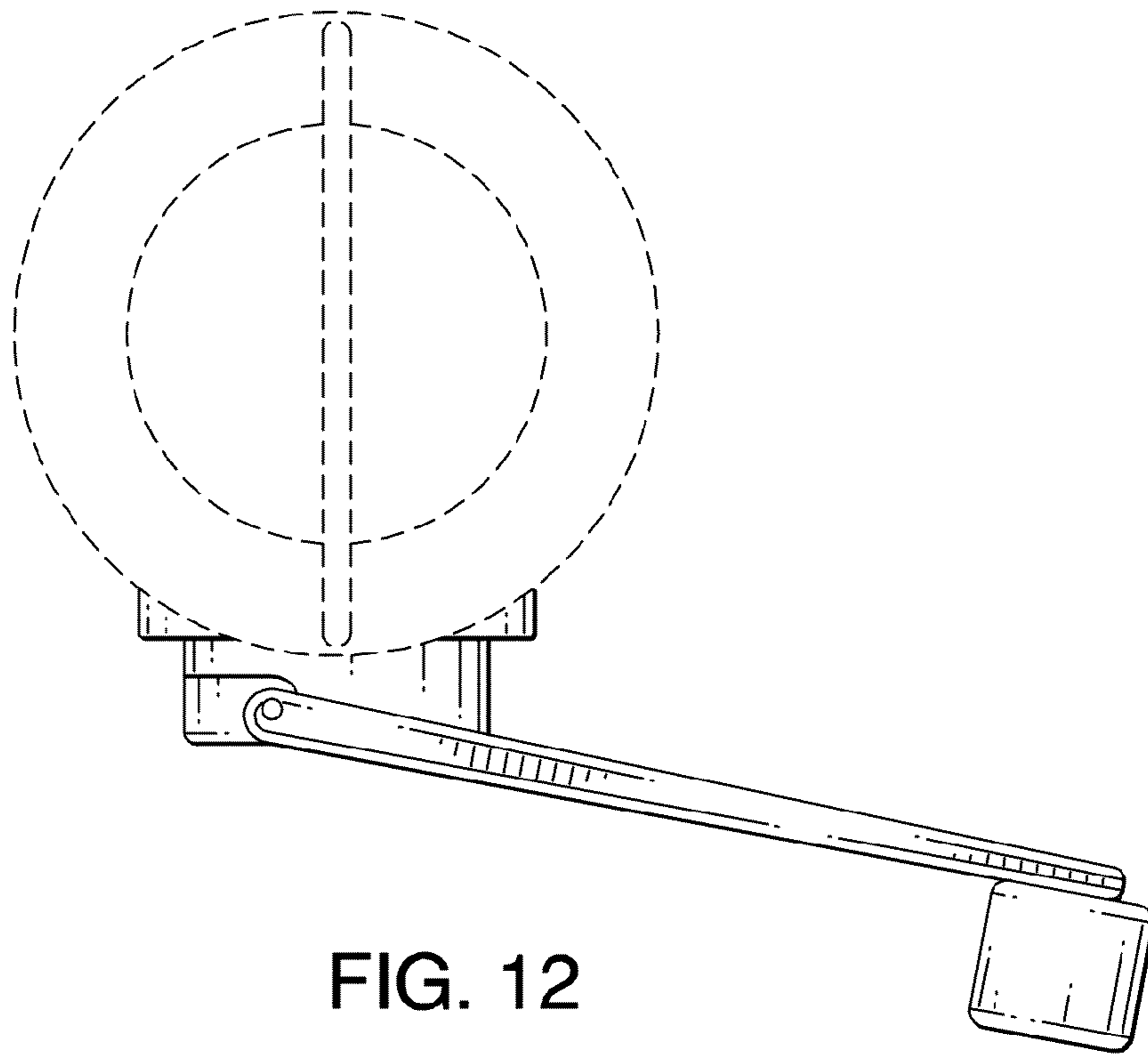


FIG. 12

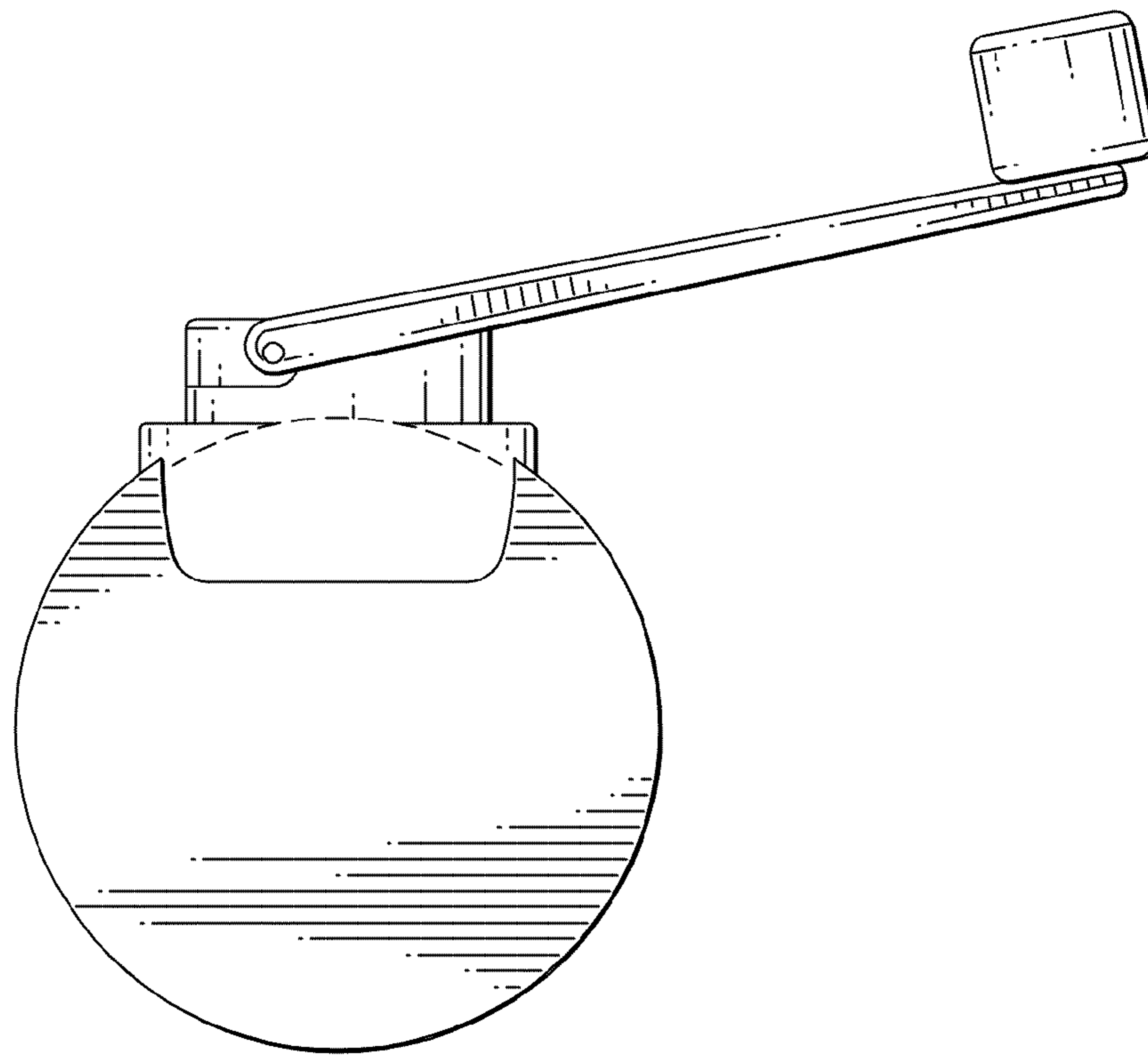


FIG. 13