

US00D544616S

(12) **United States Design Patent**
Chen

(10) **Patent No.:** **US D544,616 S**

(45) **Date of Patent:** **** Jun. 12, 2007**

(54) **HAND CRANK POWERED FLASHLIGHT**

(76) Inventor: **Yu Chi Chen**, P.O. Box 44-2049, Taipei
10668 (TW)

(**) Term: **14 Years**

(21) Appl. No.: **29/241,658**

(22) Filed: **Oct. 31, 2005**

(30) **Foreign Application Priority Data**

May 13, 2005 (TW) 94302805

(51) **LOC (8) Cl.** **26-02**

(52) **U.S. Cl.** **D26/37**

(58) **Field of Classification Search** D26/37-50;
362/157, 158, 171-174, 183-208
See application file for complete search history.

(56) **References Cited**

U.S. PATENT DOCUMENTS

D431,308 S * 9/2000 Lynch et al. D26/37

D520,160 S * 5/2006 Lee D26/37
D521,668 S * 5/2006 Lee D26/37
D523,573 S * 6/2006 Lee D26/28
D524,470 S * 7/2006 Lee D26/37

* cited by examiner

Primary Examiner—Marcus A. Jackson

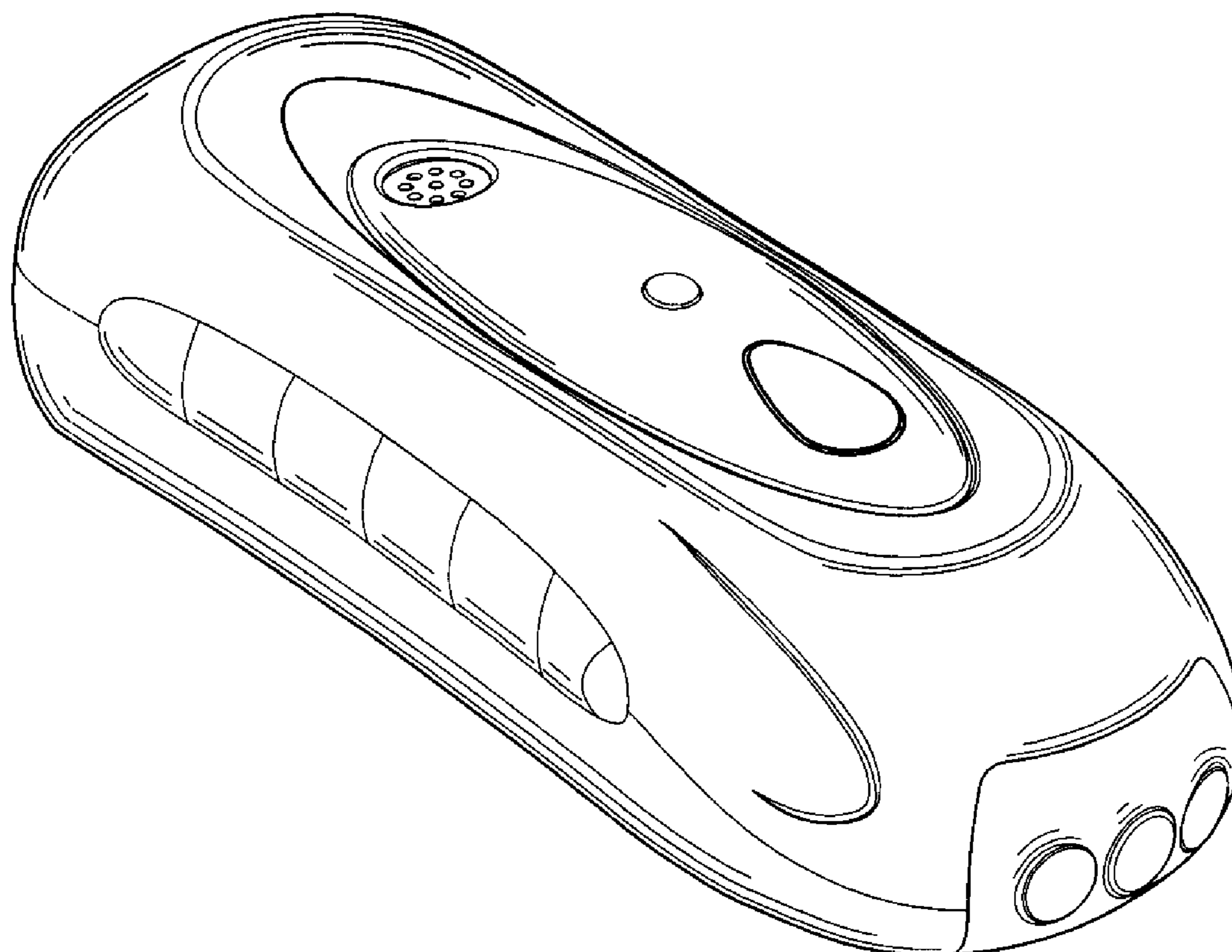
(57) **CLAIM**

The ornamental design for a hand crank powered flashlight,
as shown and described.

DESCRIPTION

FIG. 1 is a perspective view of a hand crank powered
flashlight;
FIG. 2 is a front view thereof;
FIG. 3 is a back view thereof;
FIG. 4 is a left side view thereof;
FIG. 5 is a right side view thereof;
FIG. 6 is a top view thereof; and,
FIG. 7 is a bottom view thereof.

1 Claim, 7 Drawing Sheets



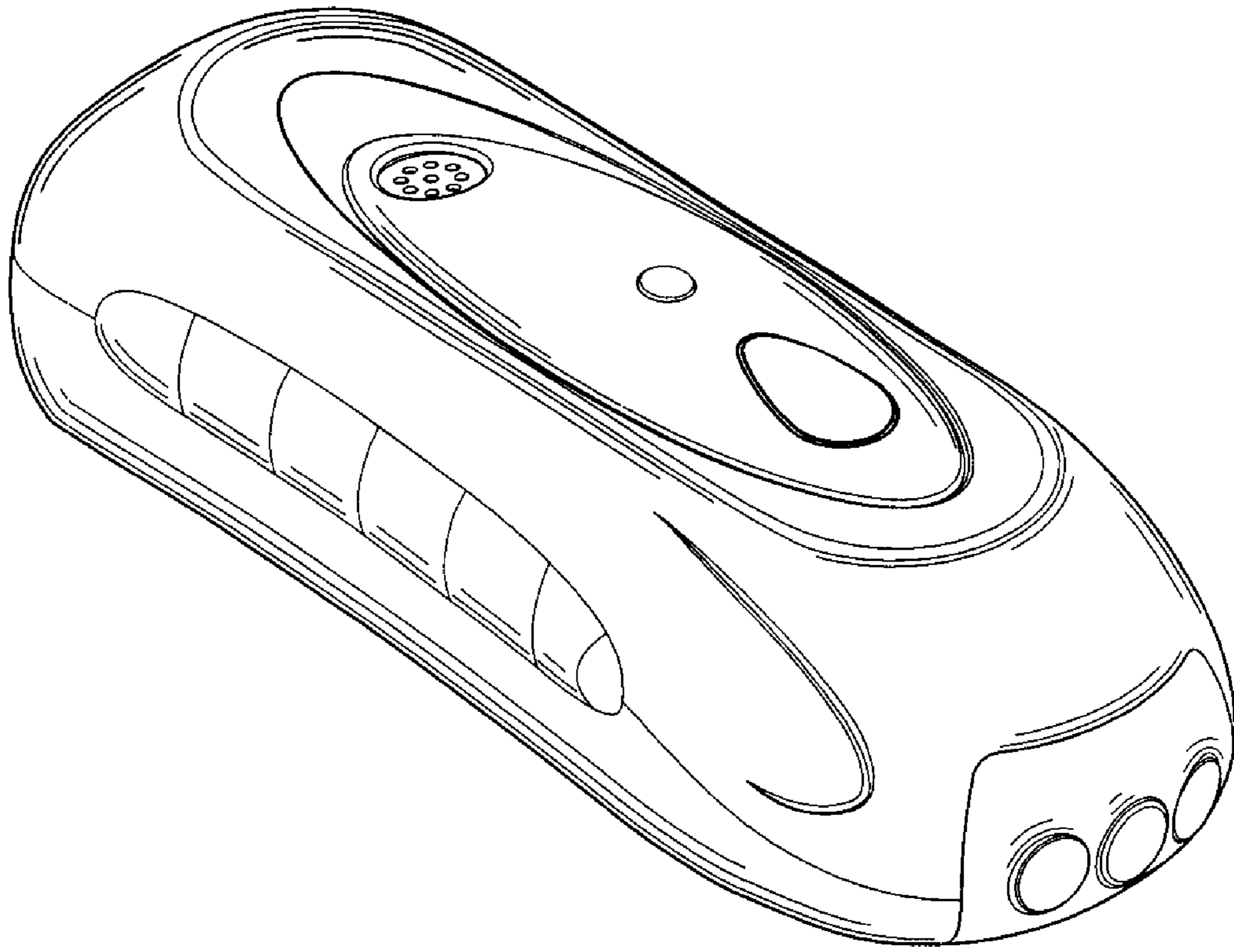


FIG. 1

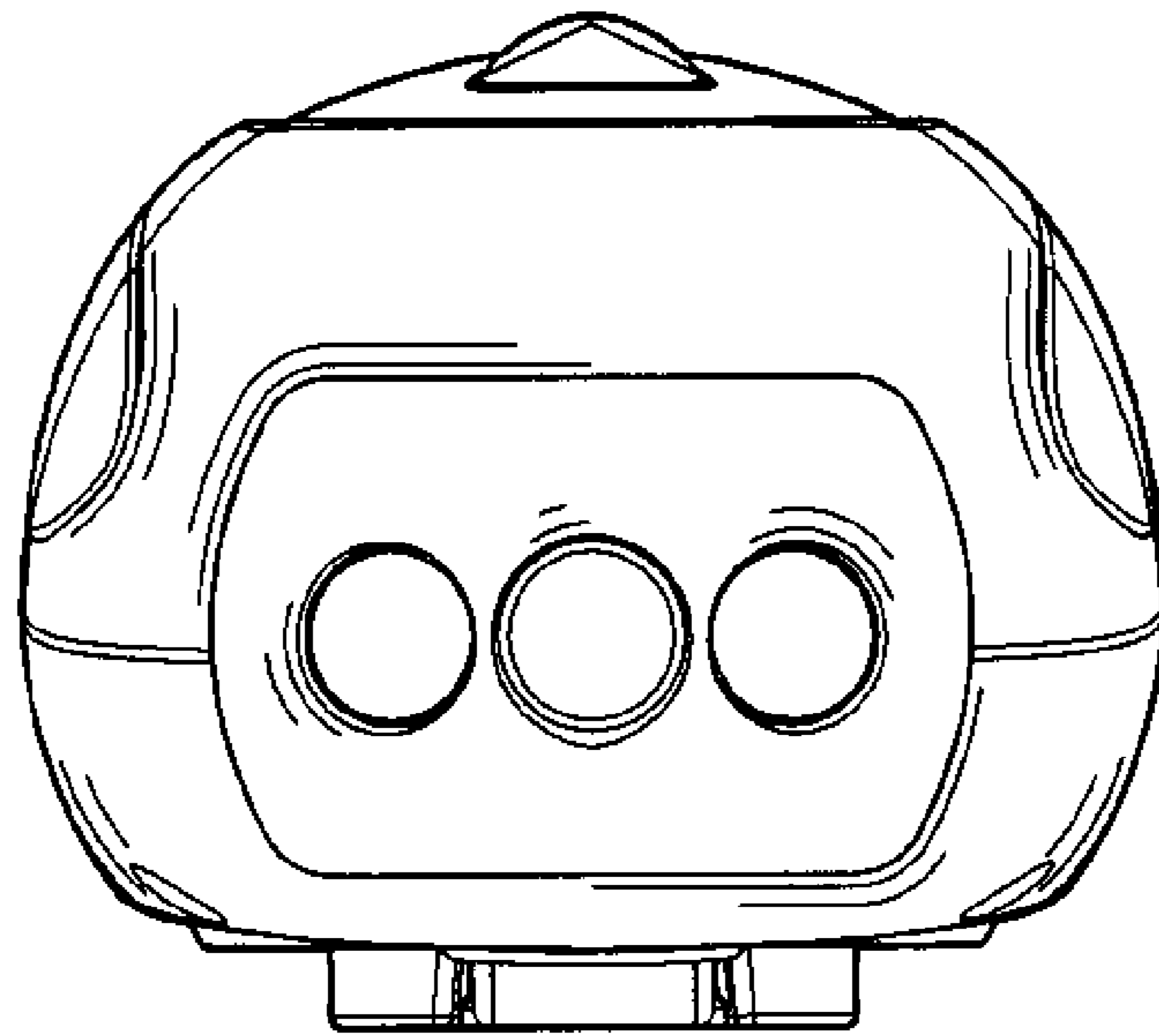


FIG. 2

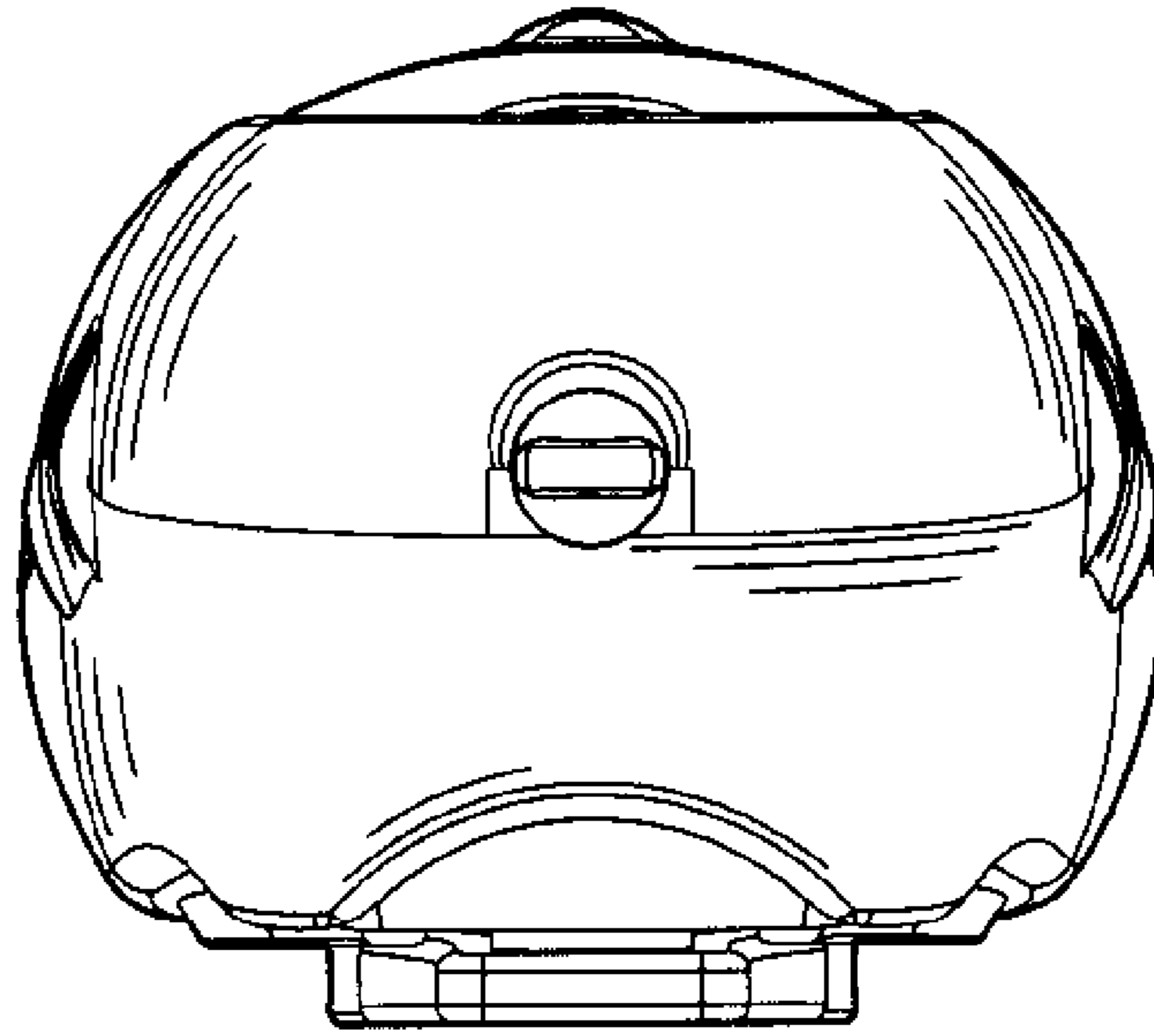


FIG. 3

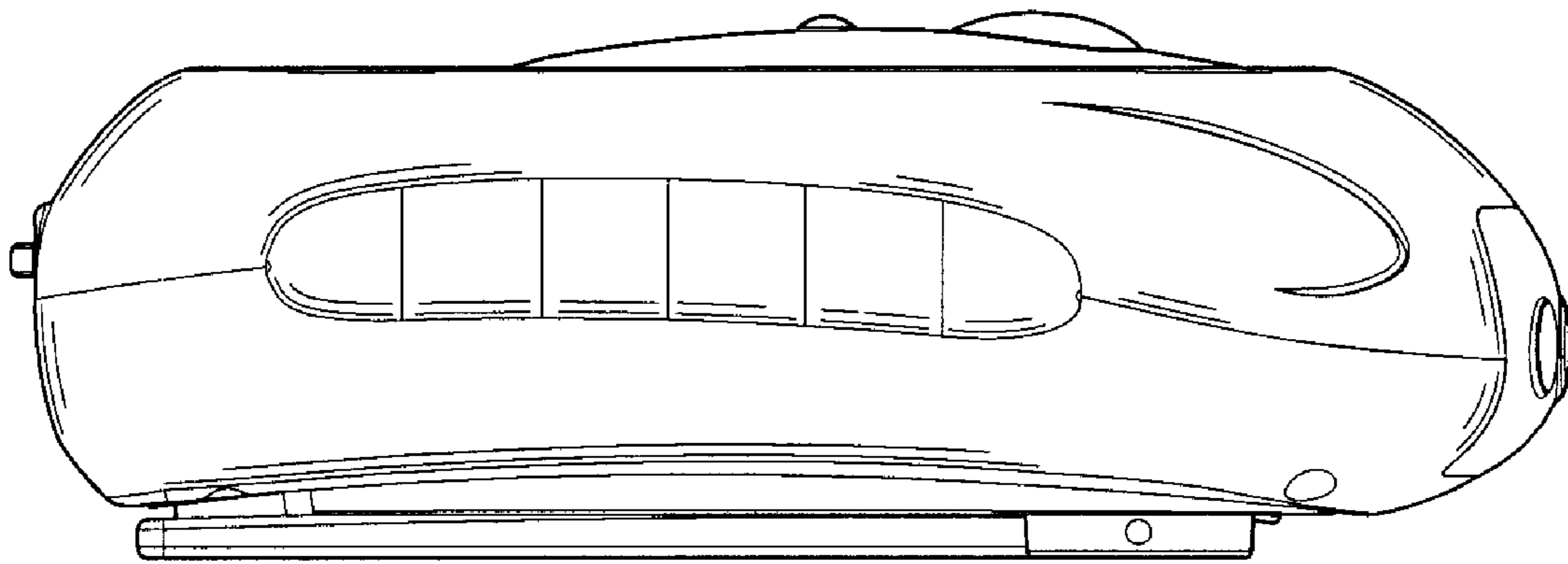


FIG.4

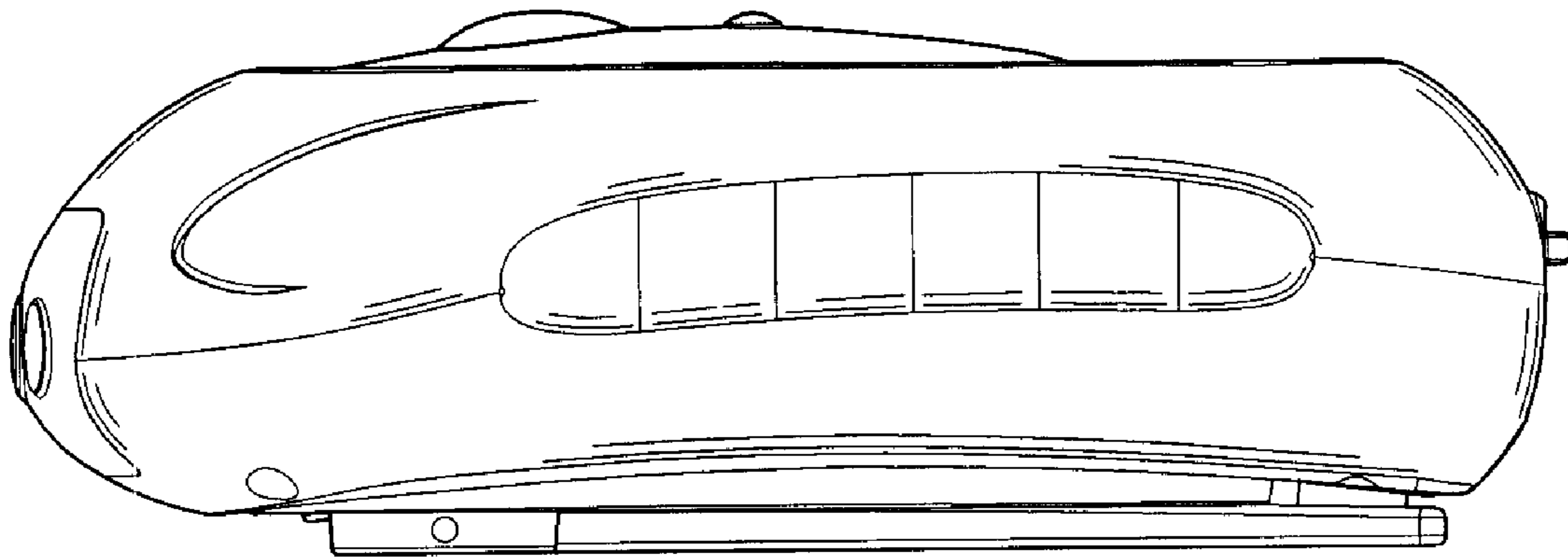


FIG.5

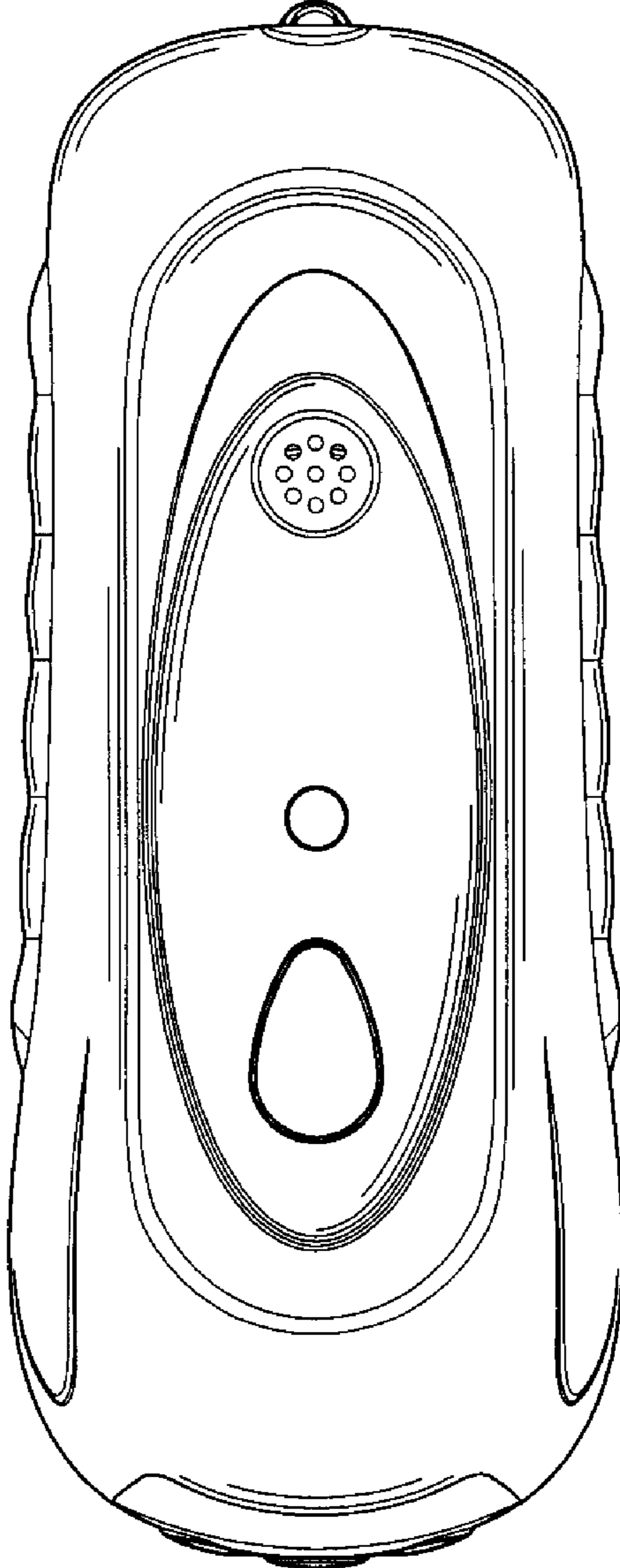


FIG. 6

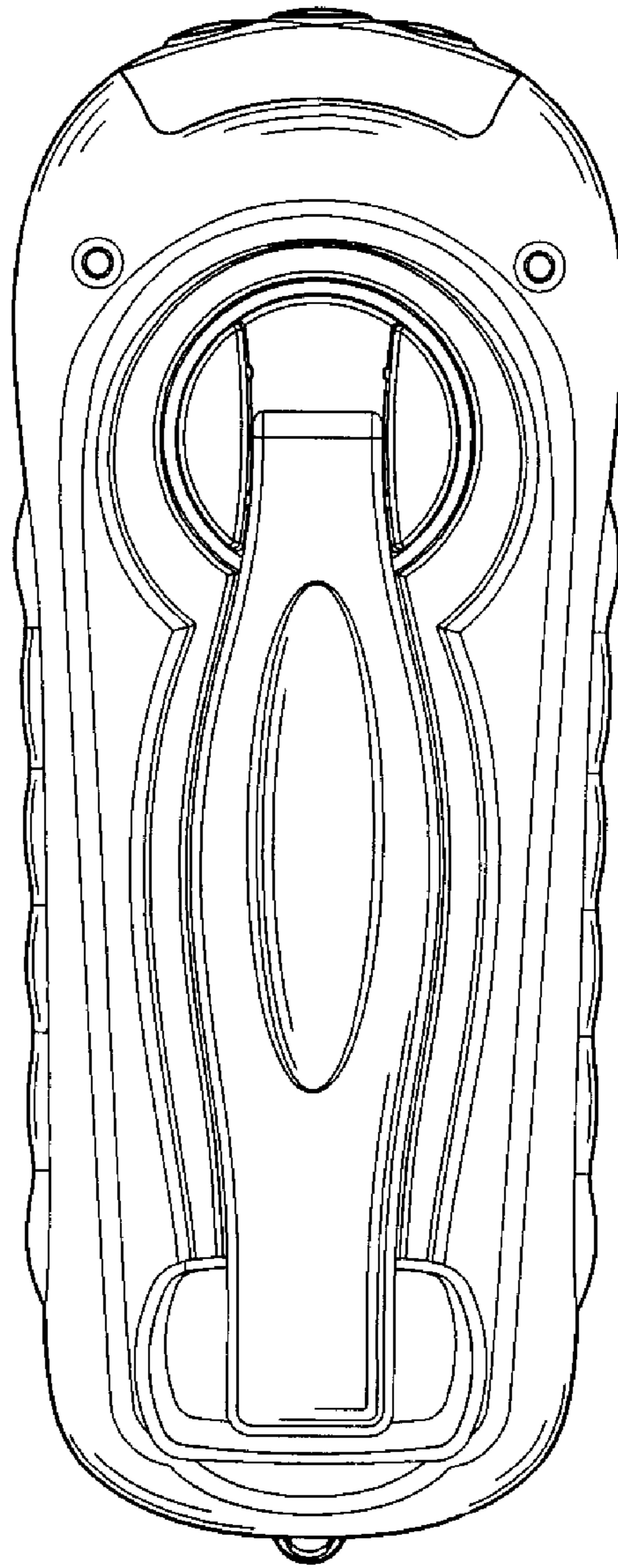


FIG. 7