



US00D544613S

(12) **United States Design Patent**
Timmann et al.

(10) **Patent No.:** **US D544,613 S**

(45) **Date of Patent:** **** Jun. 12, 2007**

(54) **CANDLE HOLDER**

D487,672 S * 3/2004 Cote et al. D7/545
6,802,707 B2 * 10/2004 Furner et al. 431/292

(75) Inventors: **Ulf Timmann**, Cologne (DE); **Jaume Josa**, Erkrath (DE); **Artur Menarski**, Dusseldorf (DE); **Volker Hundertmark**, Raddestorf (DE)

* cited by examiner

Primary Examiner—Louis S. Zarfaz
Assistant Examiner—Gregory Andoll
(74) *Attorney, Agent, or Firm*—Paul & Paul

(73) Assignee: **Henkel Komanditgesellschaft auf Aktien**, Dusseldorf (DE)

(57) **CLAIM**

(**) Term: **14 Years**

We claim the ornamental design for a candle holder, as shown and described.

(21) Appl. No.: **29/243,762**

(22) Filed: **Nov. 30, 2005**

DESCRIPTION

(51) **LOC (8) Cl.** **26-01**

FIG. 1 is a perspective view of the first embodiment of a candle holder of our design.

(52) **U.S. Cl.** **D26/9**

FIG. 2 is a typical side view of the candle holder of FIG. 1, all side views being the same.

(58) **Field of Classification Search** D26/6–23;
D9/635, 435, 541, 447, 454; D7/572, 575,
D7/536, 584; D11/160, 96, 152; 431/288–297,
431/125, 126; 362/806–810

FIG. 3 is a top plan view of the candle holder of FIG. 1.

FIG. 4 is a bottom plan view of the candle holder of FIG. 1.

See application file for complete search history.

FIG. 5 is a perspective view of the second embodiment of the candle holder of our design.

FIG. 6 is a typical side view of the candle holder of FIG. 5, all side views being the same.

FIG. 7 is a top plan view of the second embodiment of the candle holder of FIG. 5; and,

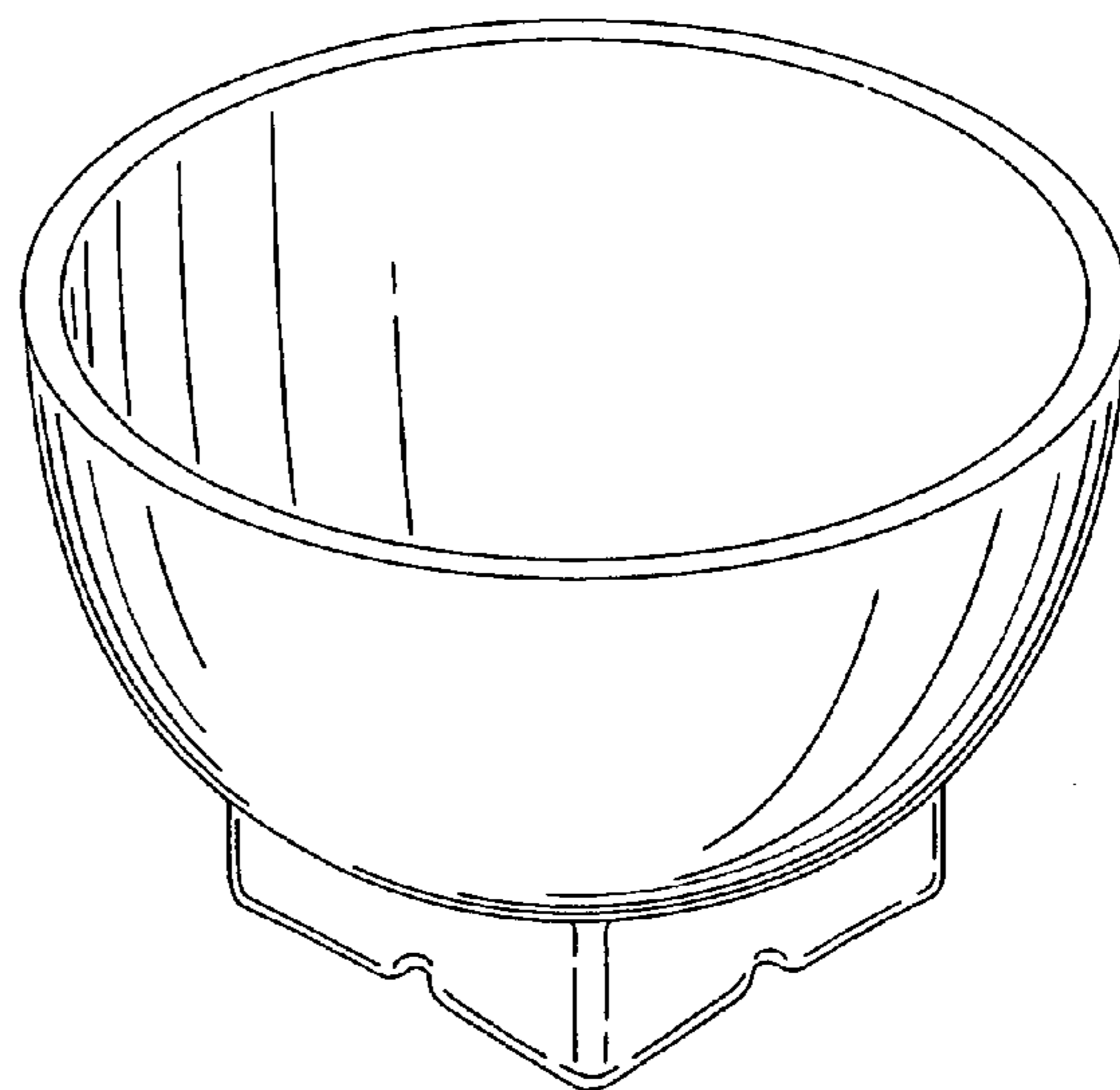
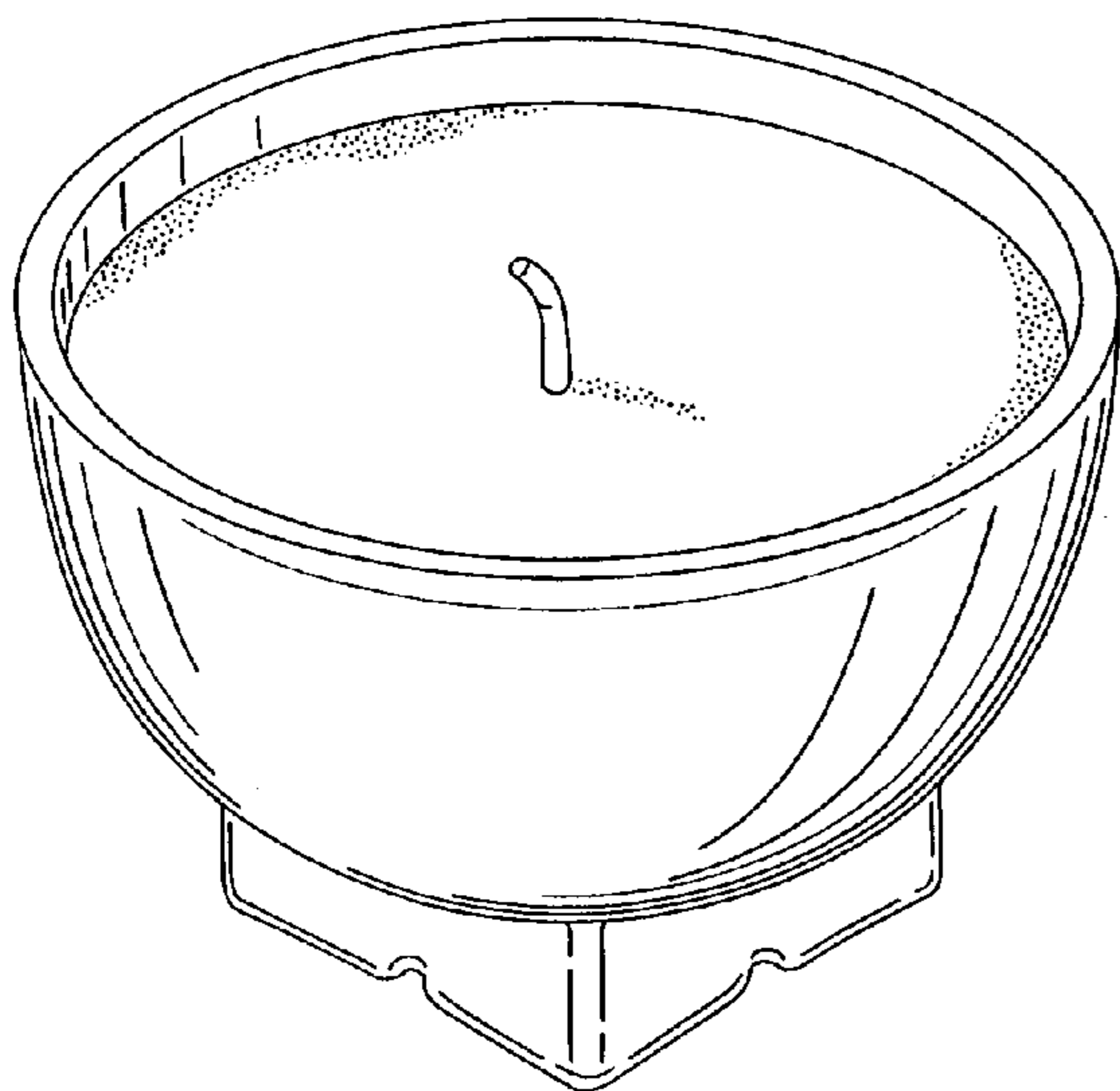
FIG. 8 is a bottom plan view of the second embodiment of the candle holder of FIG. 5.

(56) **References Cited**

U.S. PATENT DOCUMENTS

D92,485 S *	6/1934	Muench	D26/20
D132,868 S *	6/1942	Sawyer	D26/9
D397,462 S *	8/1998	Hollinger	D26/20
D405,316 S *	2/1999	Spike	D7/507
D408,322 S *	4/1999	Yurk	D11/152
D459,498 S *	6/2002	Araujo	D26/6
6,447,732 B1 *	9/2002	West	422/126

1 Claim, 4 Drawing Sheets



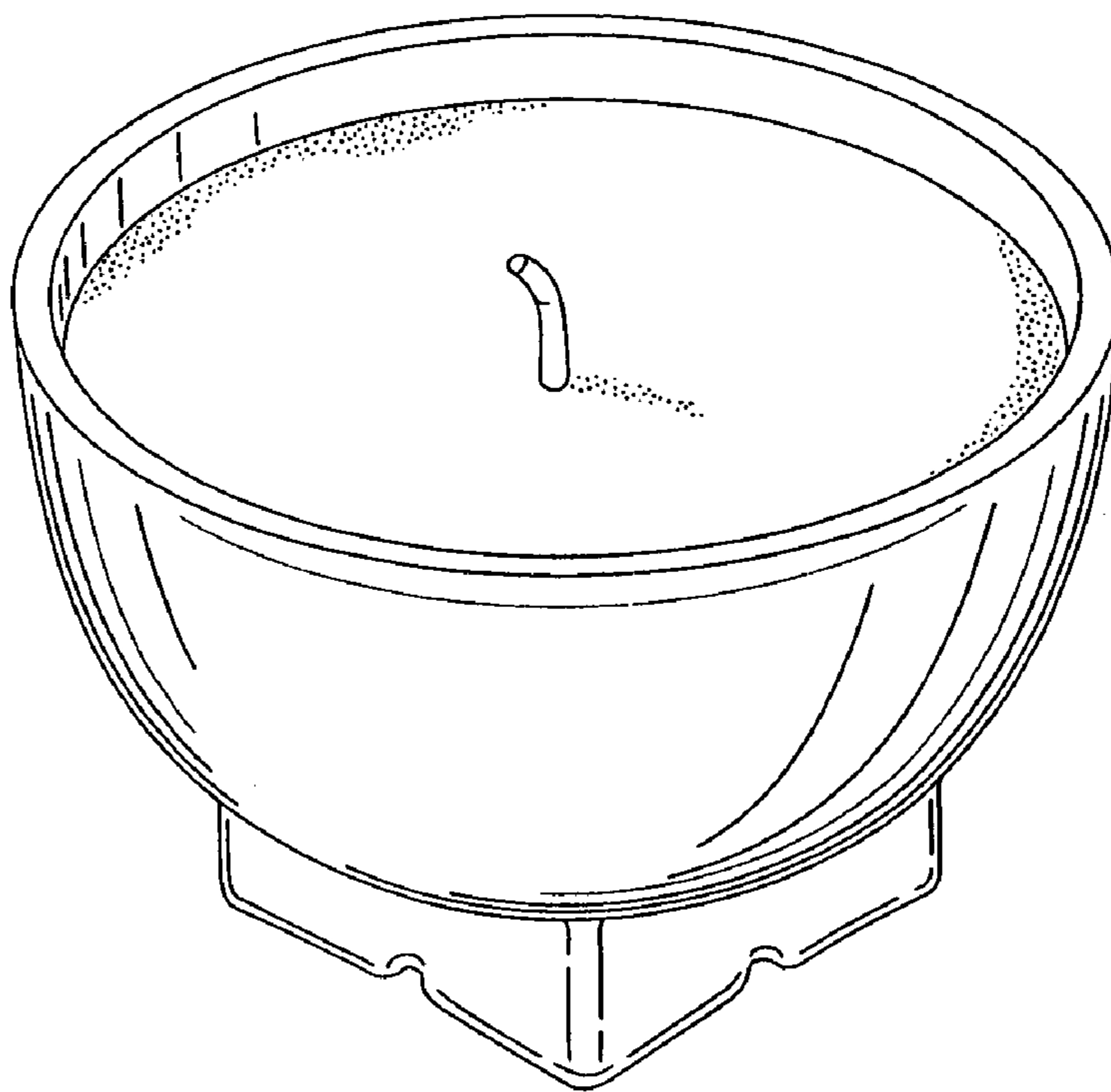


Fig. 1

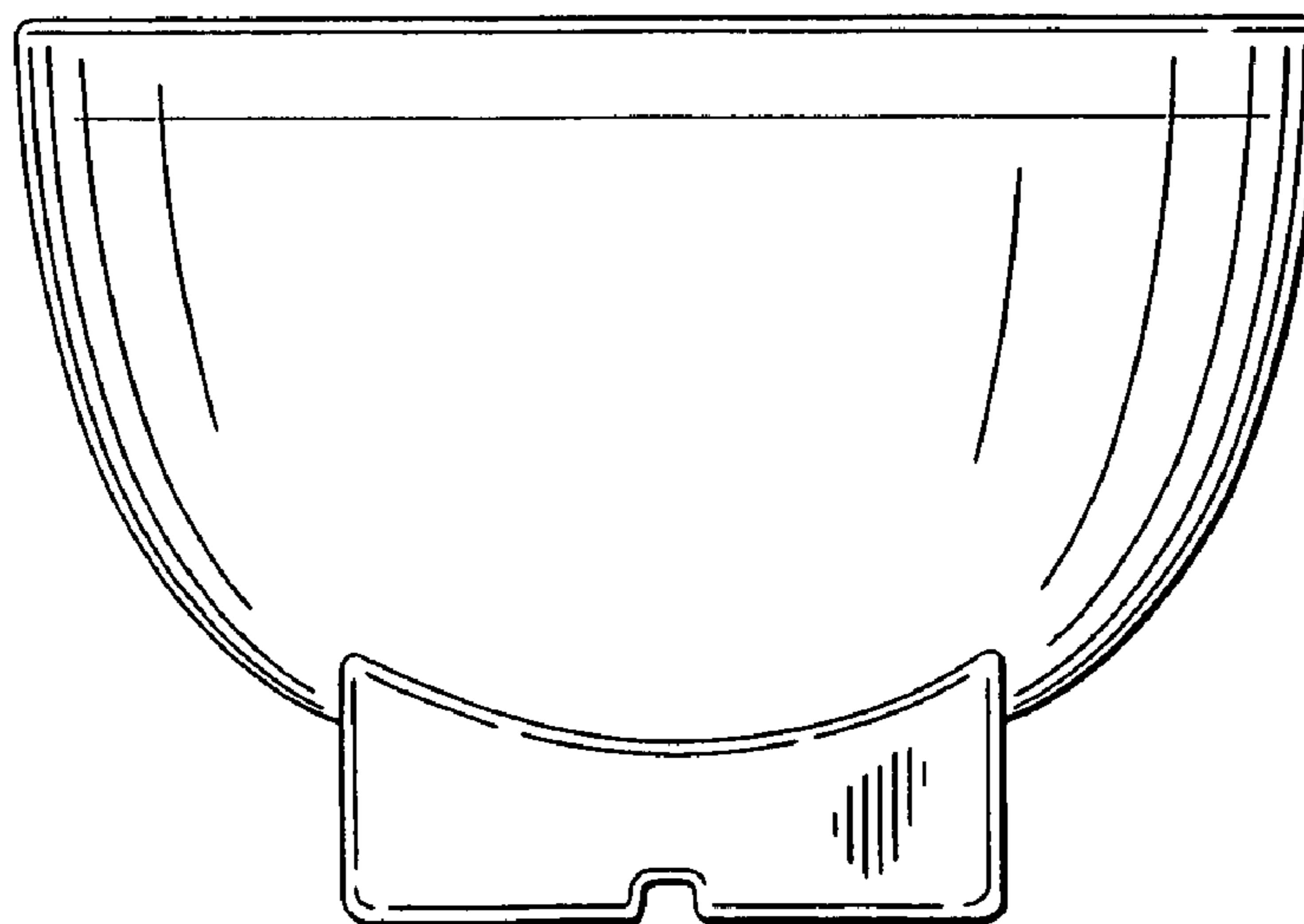


Fig. 2

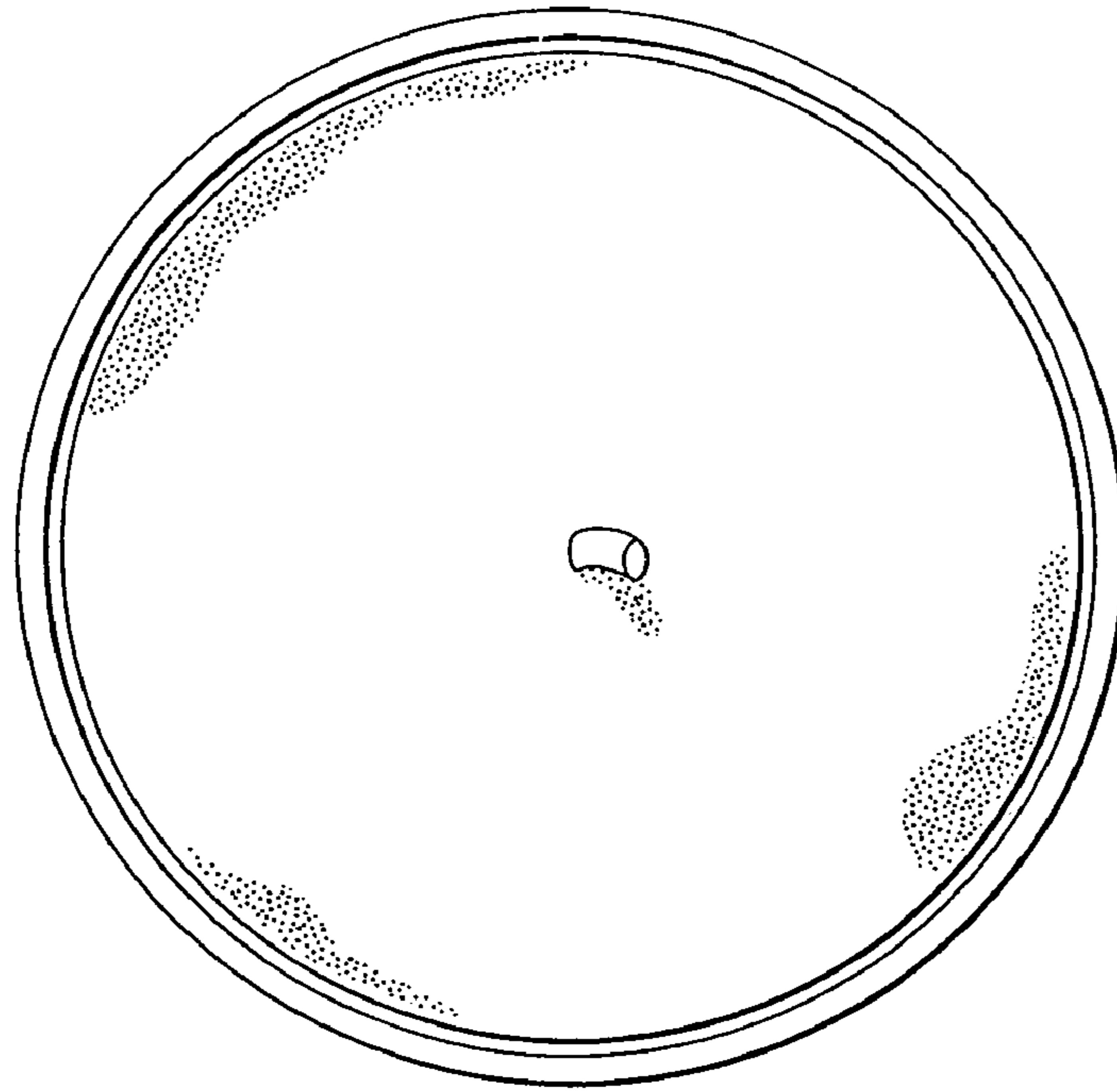


Fig. 3

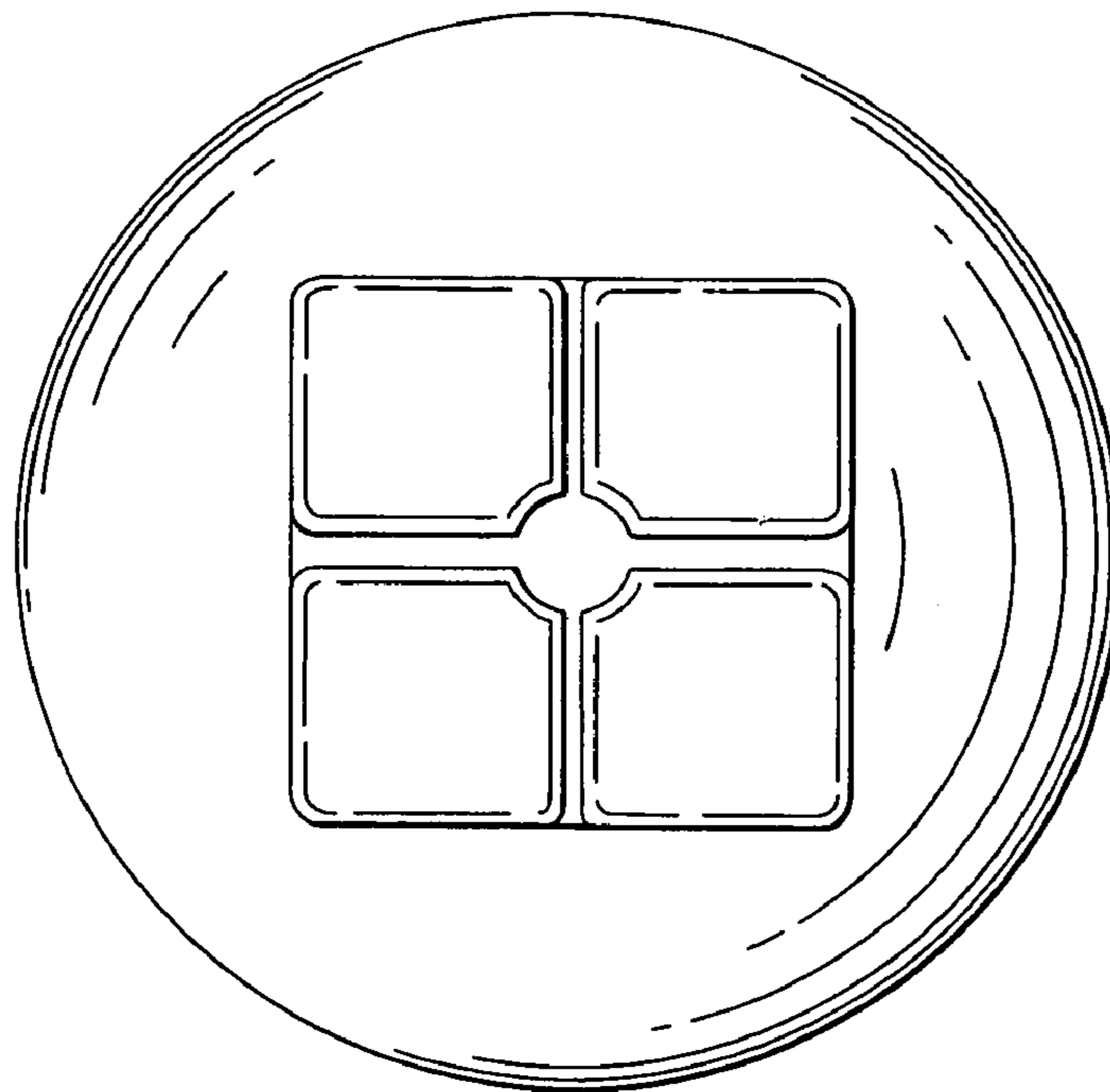


Fig. 4

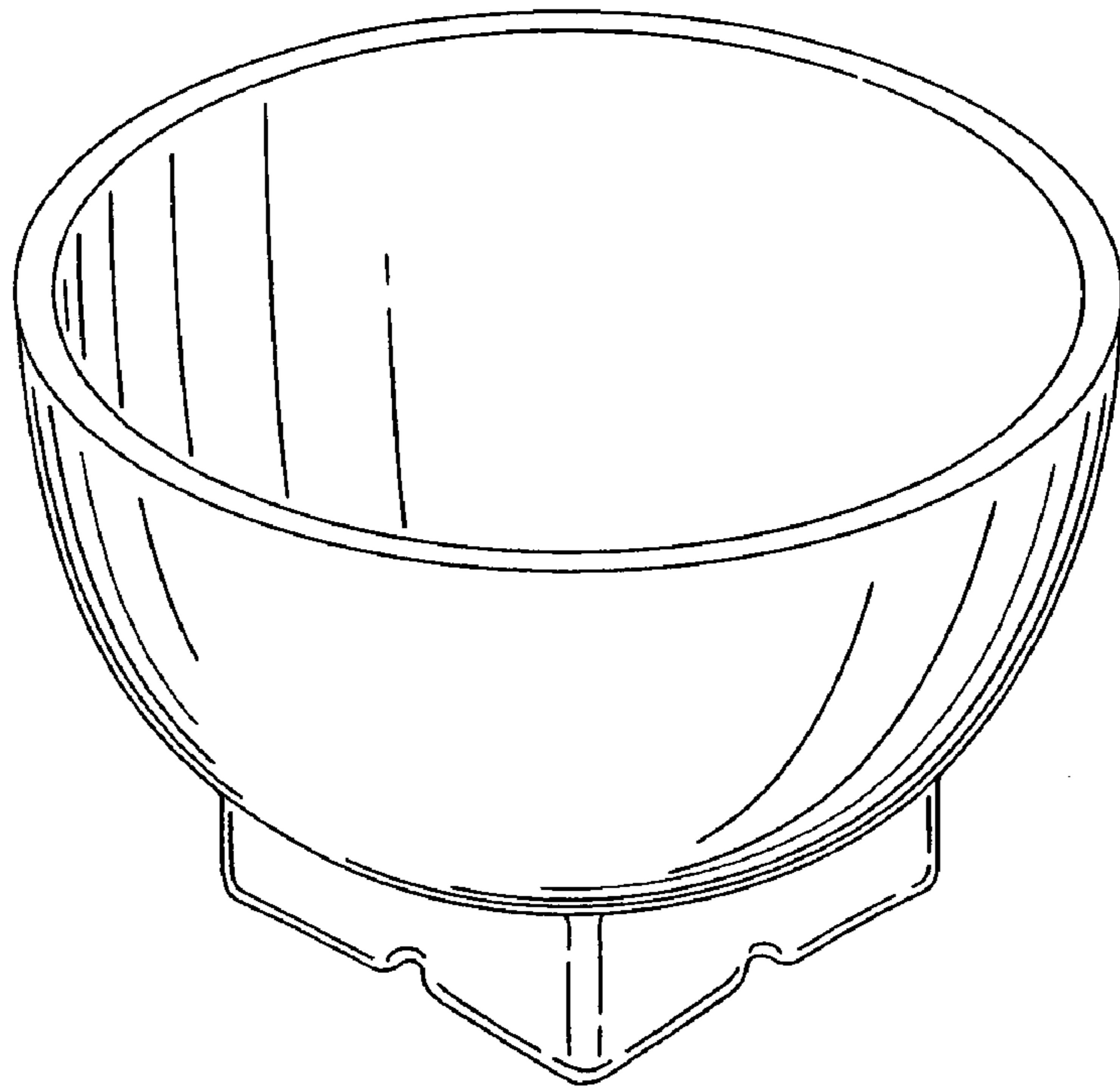


Fig. 5

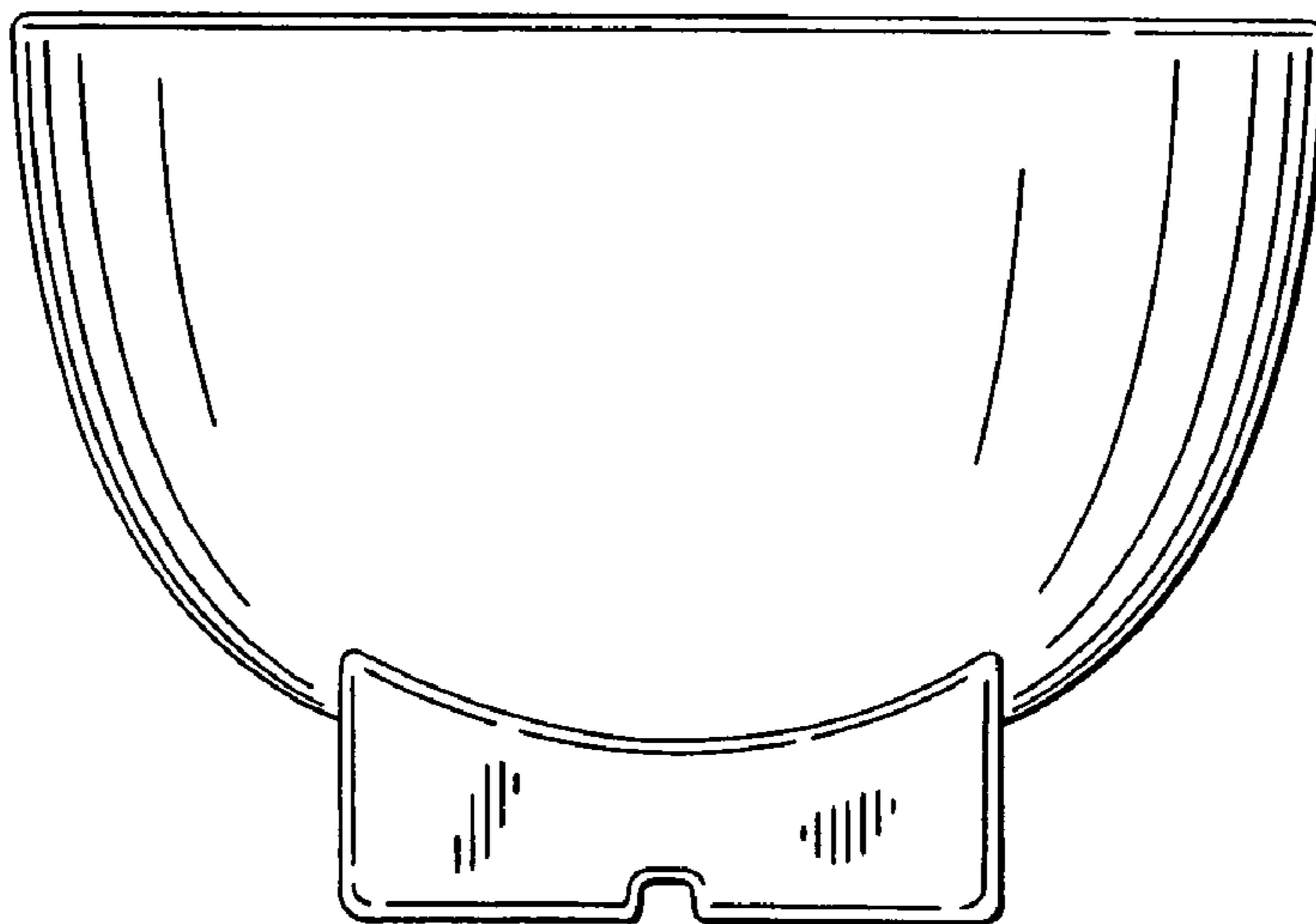


Fig. 6

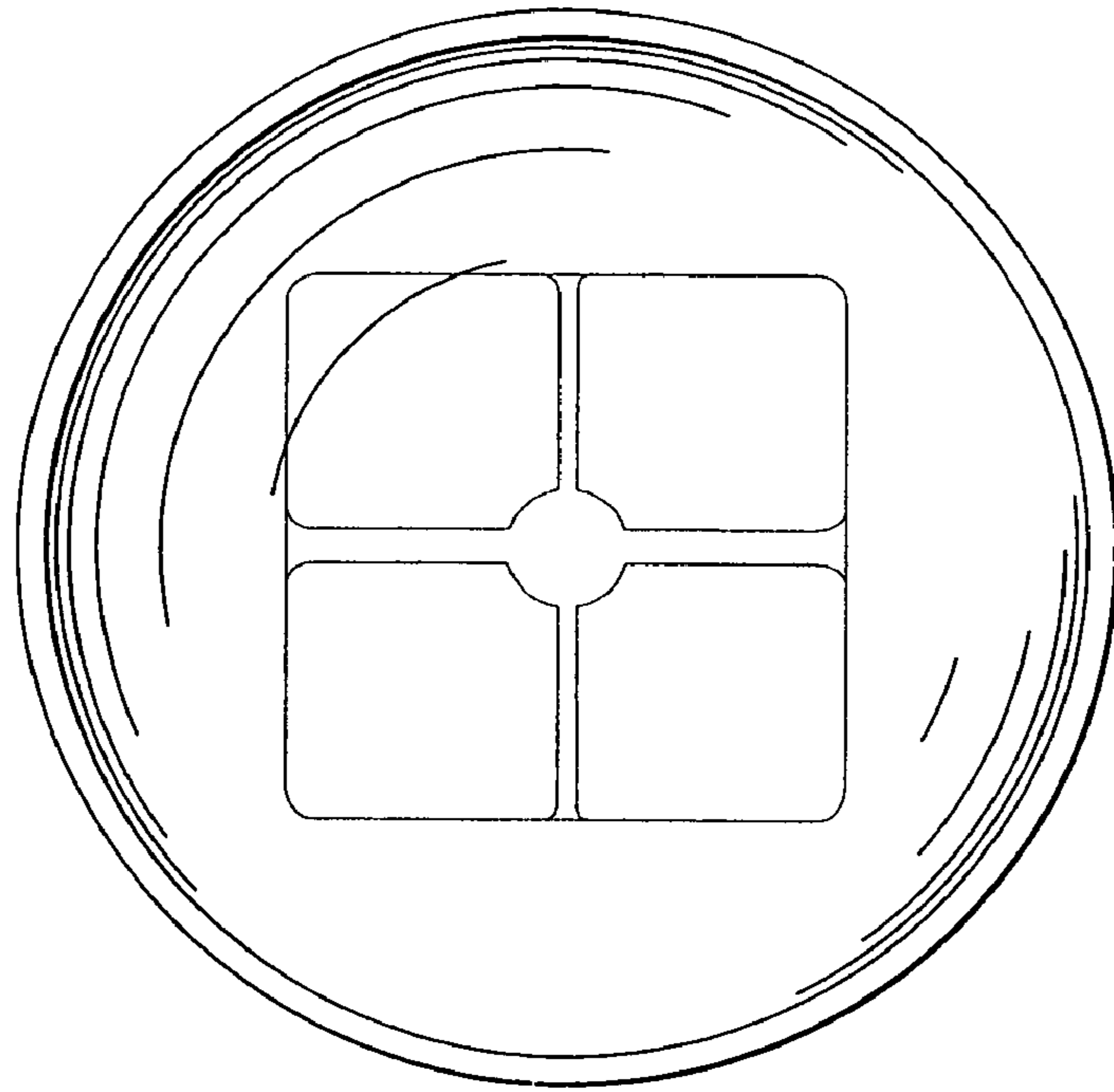


Fig. 7

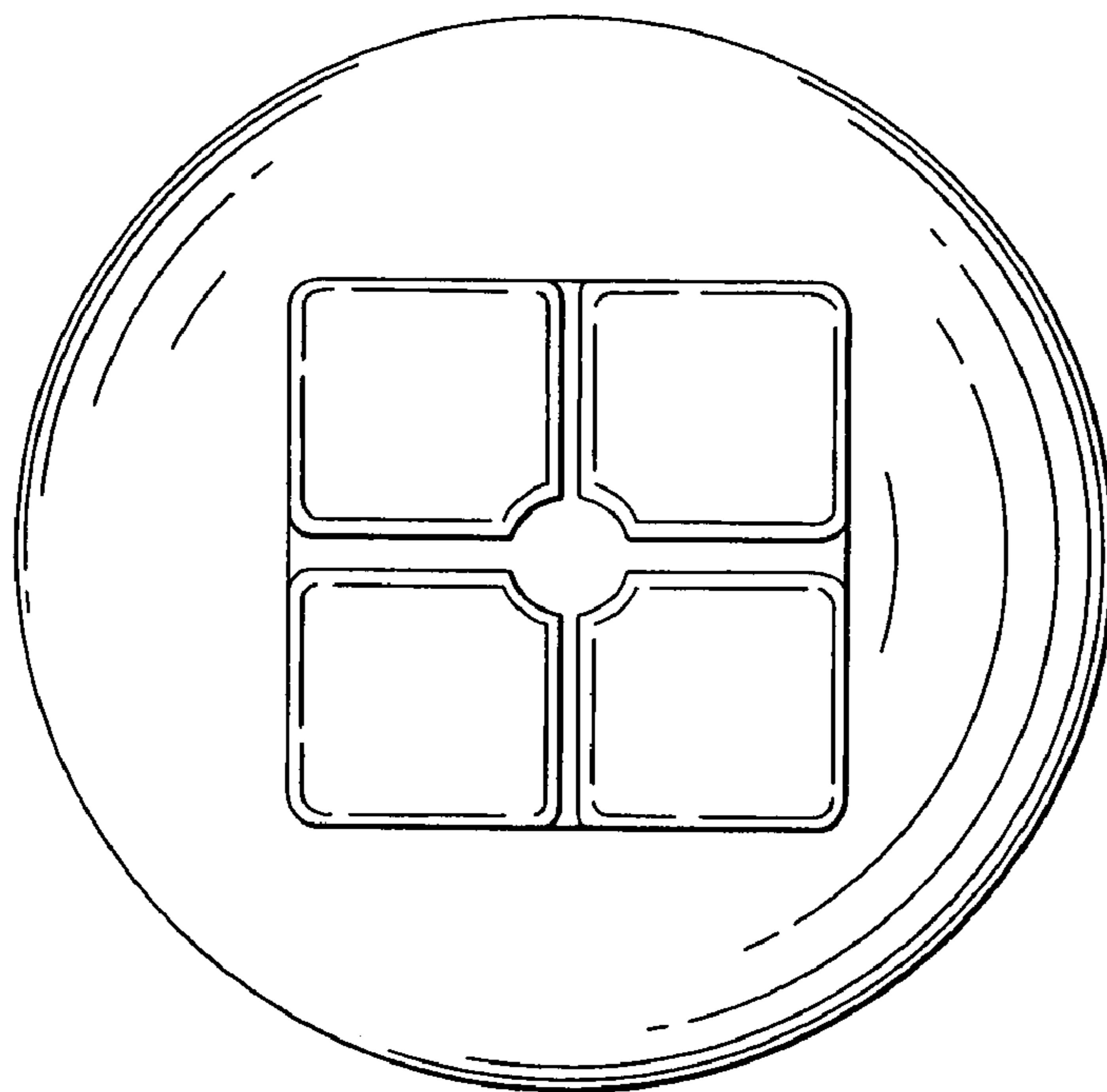


Fig. 8