



US00D544610S

(12) **United States Design Patent**  
**Ouchi et al.**

(10) **Patent No.:** **US D544,610 S**

(45) **Date of Patent:** **\*\* Jun. 12, 2007**

(54) **REAGENT CONTAINER**

(75) Inventors: **Katsumi Ouchi**, Higashimurayama  
(JP); **Hiroshi Mitsumaki**, Tokyo (JP)

(73) Assignee: **Hitachi, Ltd.**, Tokyo (JP)

(\*\*) Term: **14 Years**

(21) Appl. No.: **29/225,557**

(22) Filed: **Mar. 18, 2005**

(30) **Foreign Application Priority Data**

Jan. 14, 2005 (JP) ..... 2005-000744

(51) **LOC (8) Cl.** ..... **24-02**

(52) **U.S. Cl.** ..... **D24/224**

(58) **Field of Classification Search** ..... D24/122,  
D24/216-232; 422/57, 61, 101, 102, 104;  
435/288.4, 305.1-4; 494/10; D9/747; D18/56;  
215/365

See application file for complete search history.

(56) **References Cited**

**U.S. PATENT DOCUMENTS**

D285,118 S \* 8/1986 Huang ..... D24/226  
D292,267 S \* 10/1987 Costa ..... D9/747  
4,785,953 A \* 11/1988 Buchholz et al. .... 215/365  
D309,015 S \* 7/1990 Fechtner et al. .... D24/224

D400,263 S \* 10/1998 Shugart ..... D24/224  
5,968,453 A \* 10/1999 Shugart ..... 422/102  
D434,507 S \* 11/2000 Relyea et al. .... D24/225  
D529,170 S \* 9/2006 Wang ..... D24/122  
D533,587 S \* 12/2006 Andoh ..... D18/56  
2003/0044323 A1 \* 3/2003 Diamond et al. .... 422/102

\* cited by examiner

*Primary Examiner*—Robert A. Delehanty

*Assistant Examiner*—Mark Cavanna

(74) *Attorney, Agent, or Firm*—Antonelli, Terry, Stout & Kraus, LLP.

(57) **CLAIM**

We claim the ornamental design for a reagent container, as shown.

**DESCRIPTION**

FIG. 1 is a front, top and right side perspective view of a reagent container showing our new design;

FIG. 2 is a front elevational view thereof;

FIG. 3 is a right side elevational view thereof;

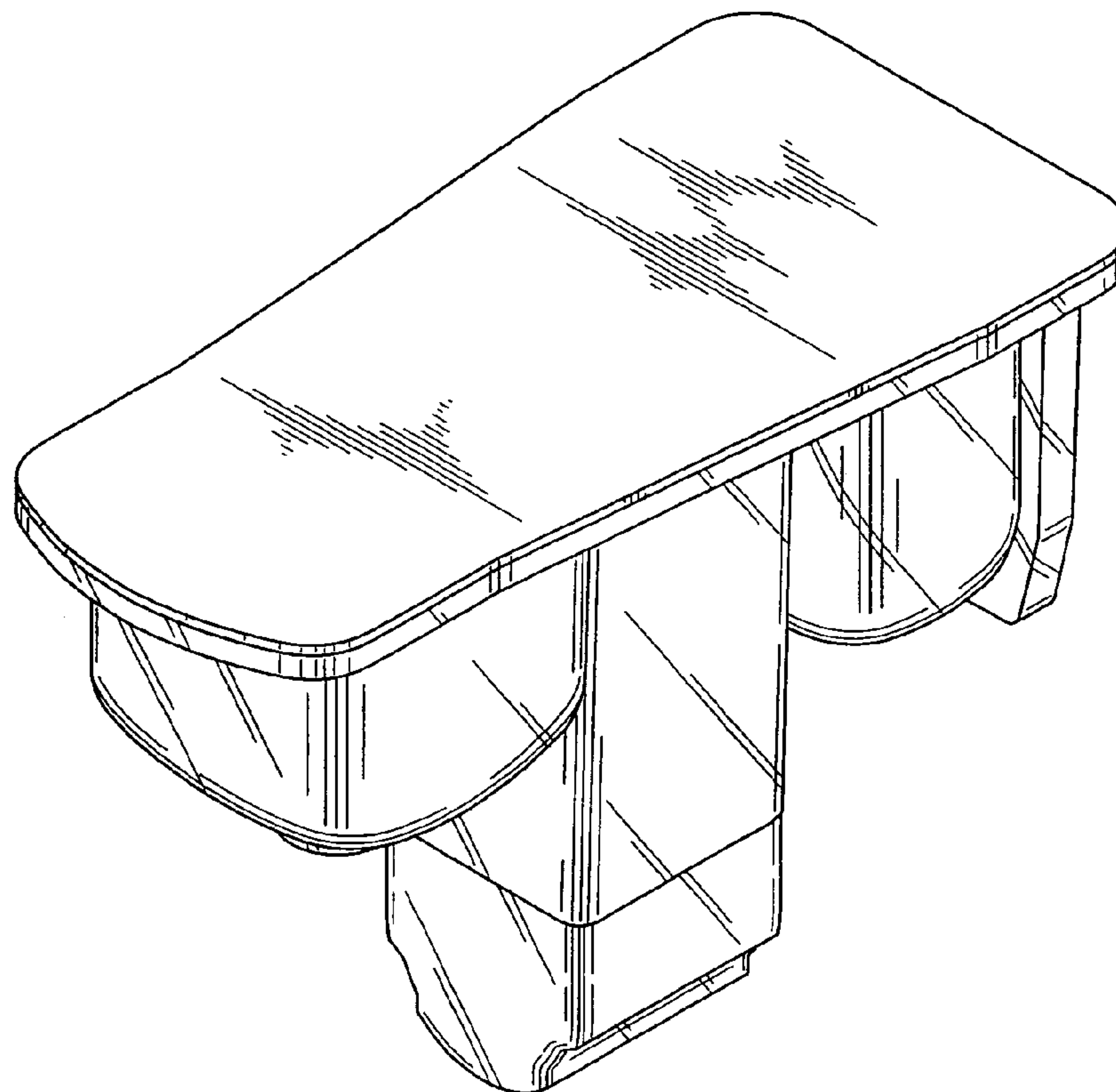
FIG. 4 is a left side elevational view thereof;

FIG. 5 is a top plan elevational view thereof;

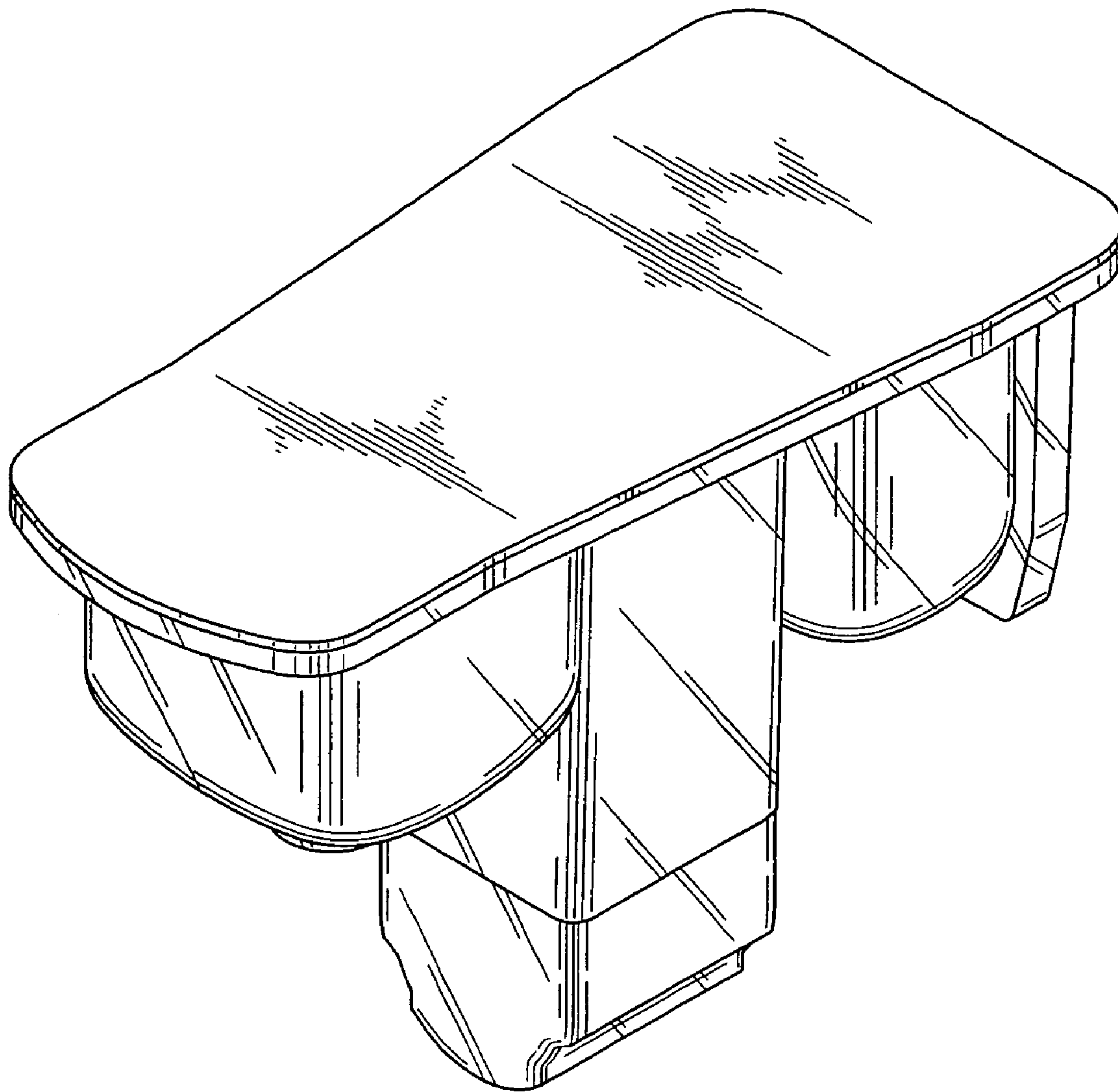
FIG. 6 is a bottom plan elevational view thereof; and,

FIG. 7 is a rear elevational view thereof.

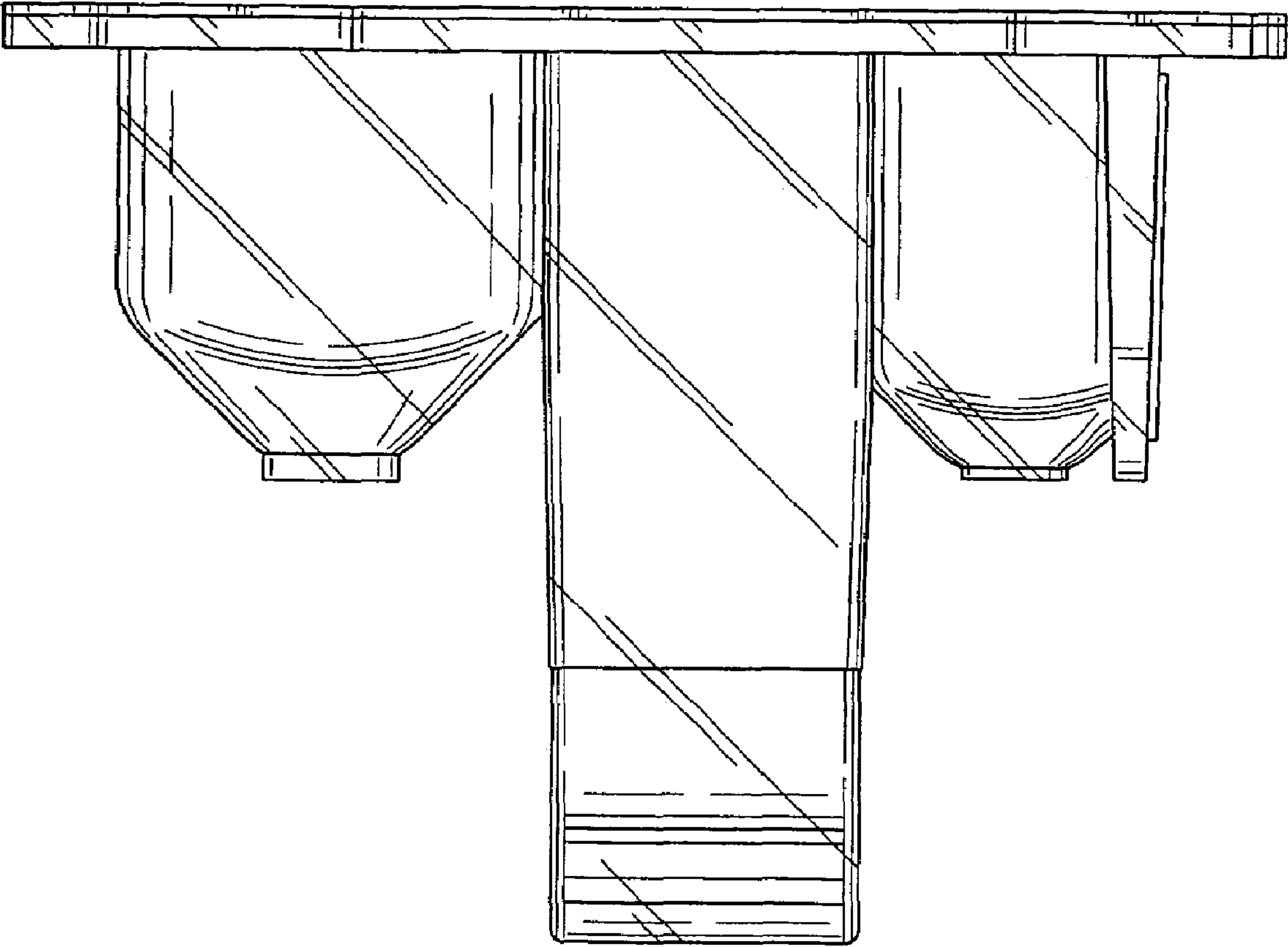
**1 Claim, 5 Drawing Sheets**



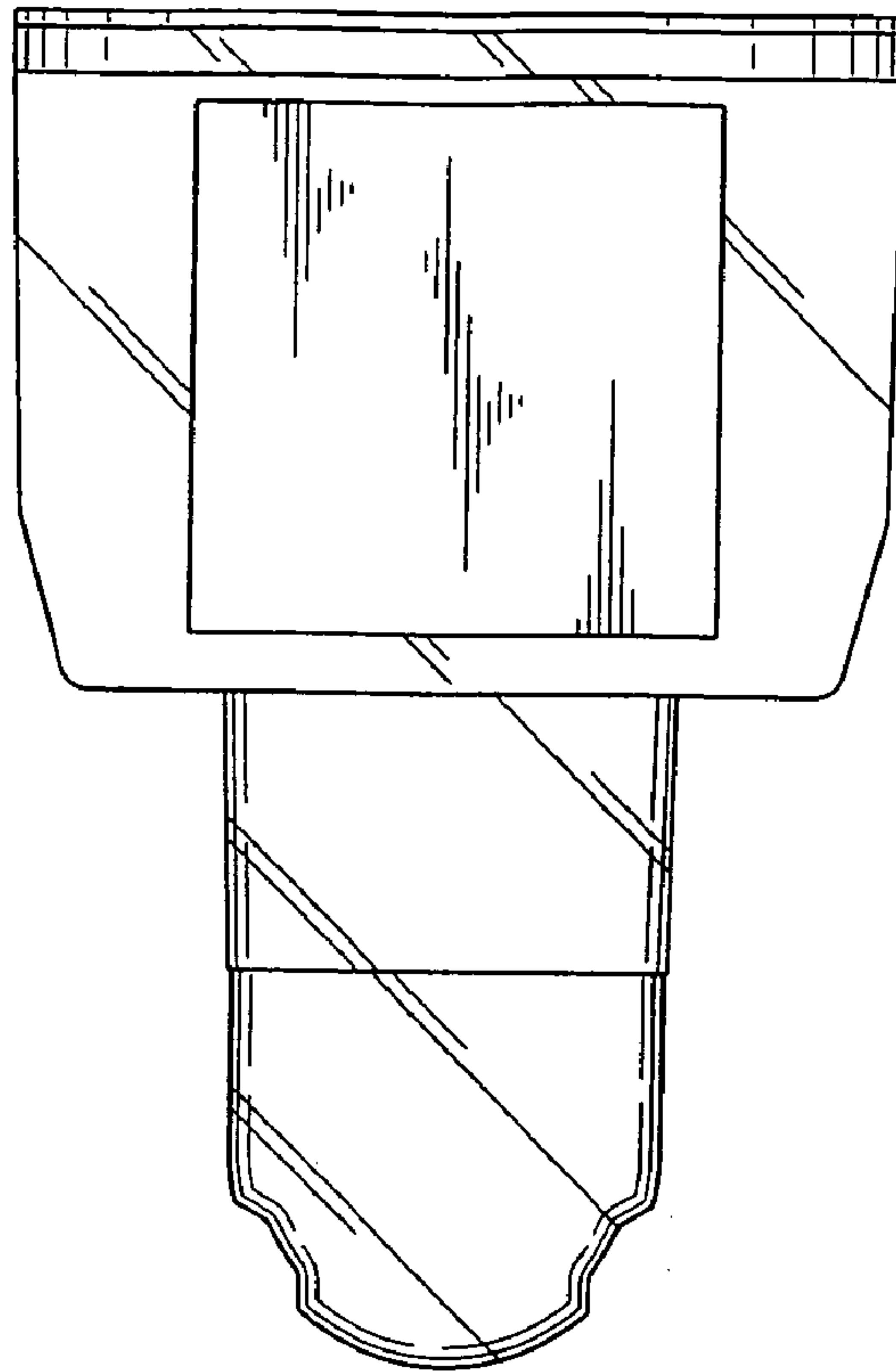
*FIG. 1*



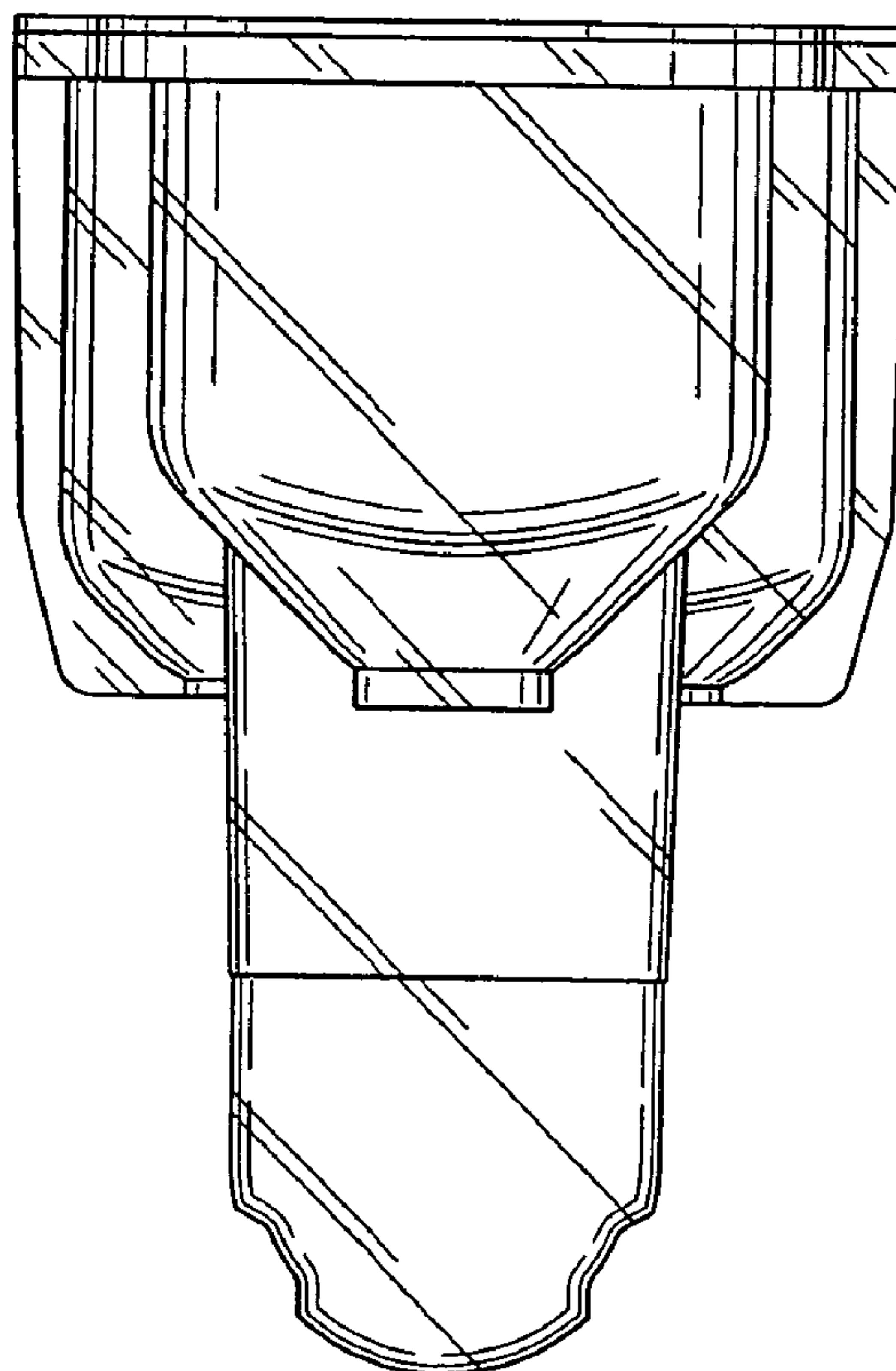
*FIG. 2*



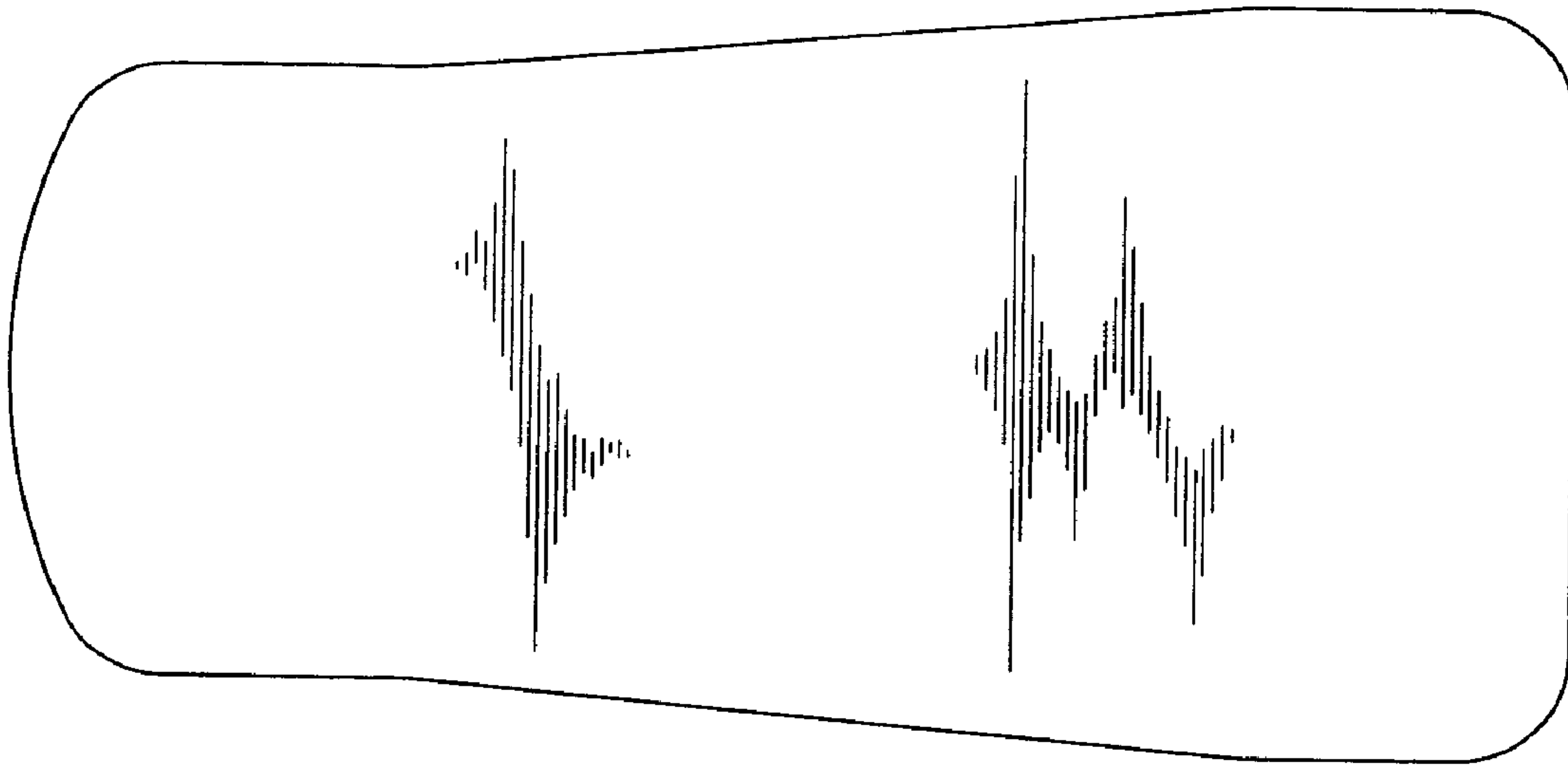
*FIG. 3*



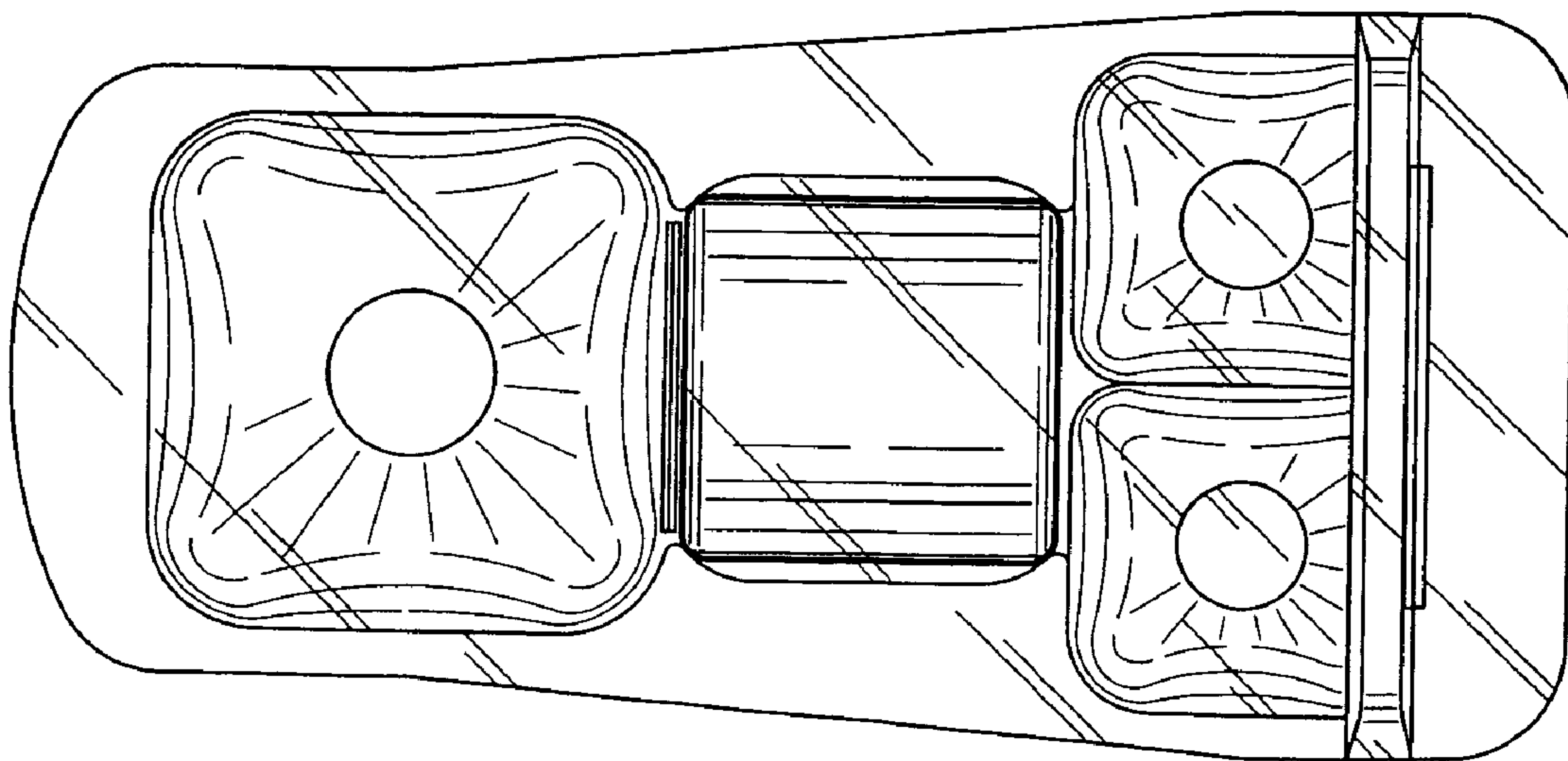
*FIG. 4*



*FIG. 5*



*FIG. 6*





*FIG. 7*

