

US00D544606S

(12) **United States Design Patent**  
**Hasegawa et al.**

(10) **Patent No.:** **US D544,606 S**

(45) **Date of Patent:** **\*\* Jun. 12, 2007**

(54) **ULTRASONIC PROBE**

(75) Inventors: **Yasunobu Hasegawa**, Saitama (JP);  
**Kietsu Saito**, Saitama (JP)

(73) Assignee: **Nihon Dempa Kogyo Co., Ltd.**, Tokyo (JP)

(\*\*) Term: **14 Years**

(21) Appl. No.: **29/262,704**

(22) Filed: **Jul. 10, 2006**

(30) **Foreign Application Priority Data**

Feb. 9, 2006 (JP) ..... 2006-002897

(51) **LOC (8) Cl.** ..... **24-01**

(52) **U.S. Cl.** ..... **D24/186**

(58) **Field of Classification Search** ..... D24/186,  
D24/187; D10/60; 128/660.01-660.09,  
128/660.1, 662.03-662.06; 310/17, 334;  
600/439, 443, 446, 459

See application file for complete search history.

(56) **References Cited**

**U.S. PATENT DOCUMENTS**

D316,376 S \* 4/1991 Dubut ..... D10/60  
D319,793 S \* 9/1991 Dubut ..... D10/60  
D328,495 S \* 8/1992 Ungari ..... D24/187  
5,329,194 A \* 7/1994 Dow et al. .... 310/17  
5,402,789 A \* 4/1995 Dow et al. .... 600/446  
5,485,842 A \* 1/1996 Quistgaard ..... 600/443

D389,918 S \* 1/1998 Ninomiya et al. .... D24/186  
D389,919 S \* 1/1998 Ninomiya et al. .... D24/186  
D390,959 S \* 2/1998 Mesaros et al. .... D24/186  
D392,044 S \* 3/1998 Mesaros et al. .... D24/186  
5,752,517 A \* 5/1998 Harman et al. .... 600/459  
6,709,392 B1 \* 3/2004 Salgo et al. .... 600/439  
2005/0131302 A1 \* 6/2005 Poland ..... 600/459

\* cited by examiner

*Primary Examiner*—Louis Zarfaz

*Assistant Examiner*—Mark Cavanna

(74) *Attorney, Agent, or Firm*—Scott D. Wofsy; Edwards Angell Palmer & Dodge LLP

(57) **CLAIM**

The ornamental design for an ultrasonic probe, as shown and described.

**DESCRIPTION**

FIG. 1 is a front view of an ultrasonic probe of a new design;

FIG. 2 is a bottom plan view thereof;

FIG. 3 is a left side view thereof;

FIG. 4 is a right side view thereof;

FIG. 5 is a perspective view as seen from the front side thereof;

FIG. 6 is a perspective view as seen from the rear side thereof; and,

FIG. 7 is a sectional view taken along with line VII-VII of FIG. 2.

**1 Claim, 4 Drawing Sheets**

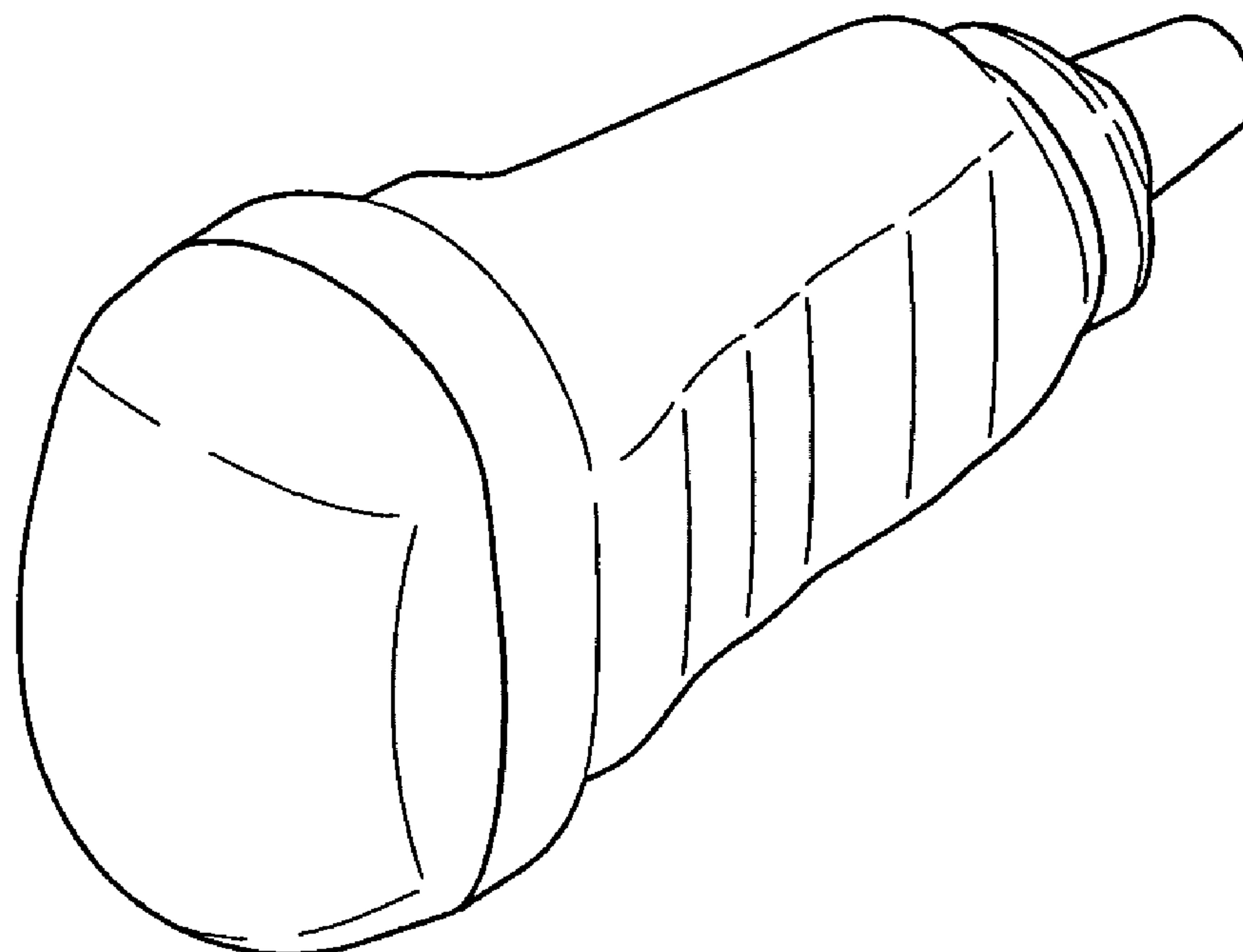


FIG.1

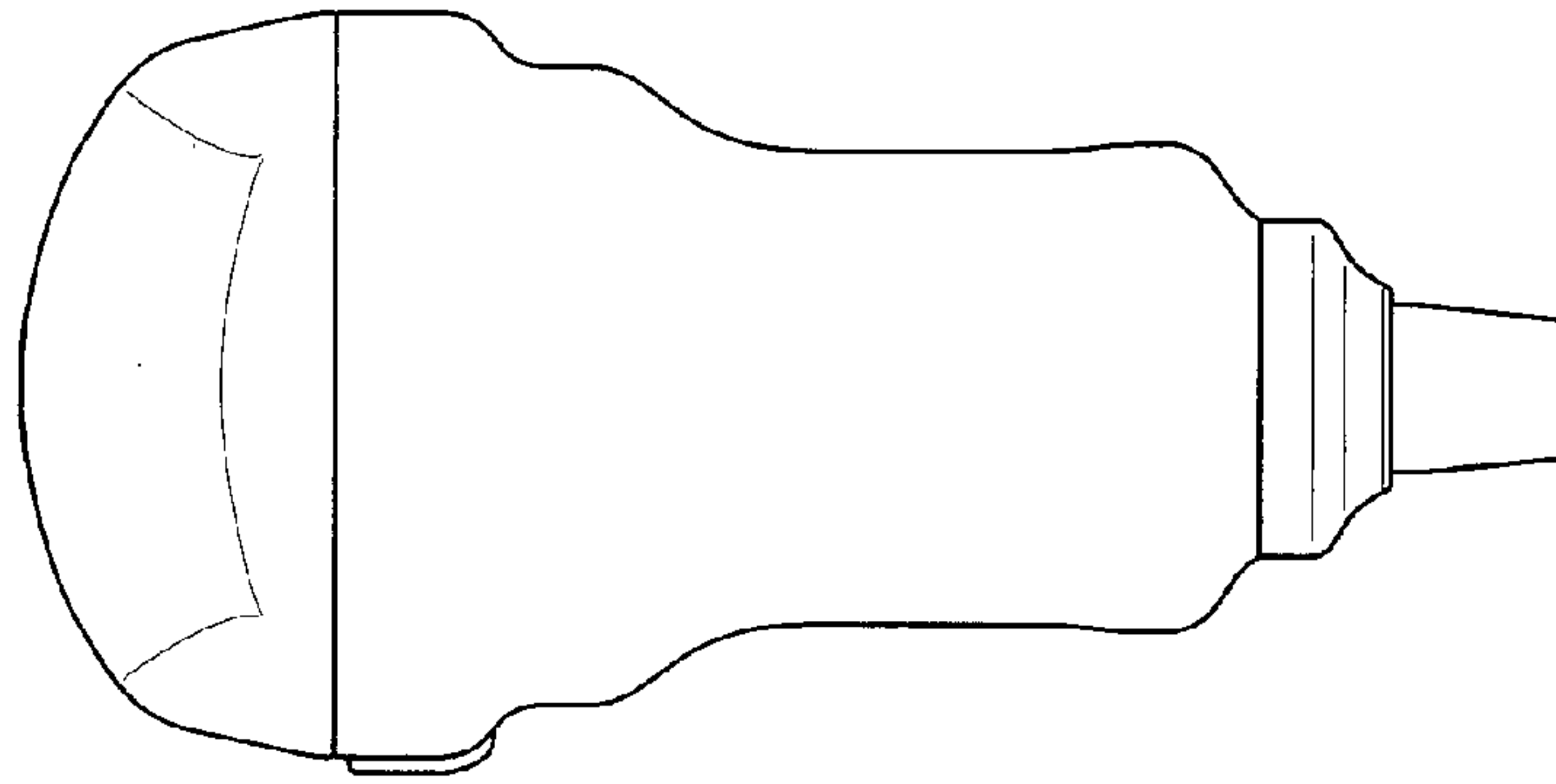


FIG.2

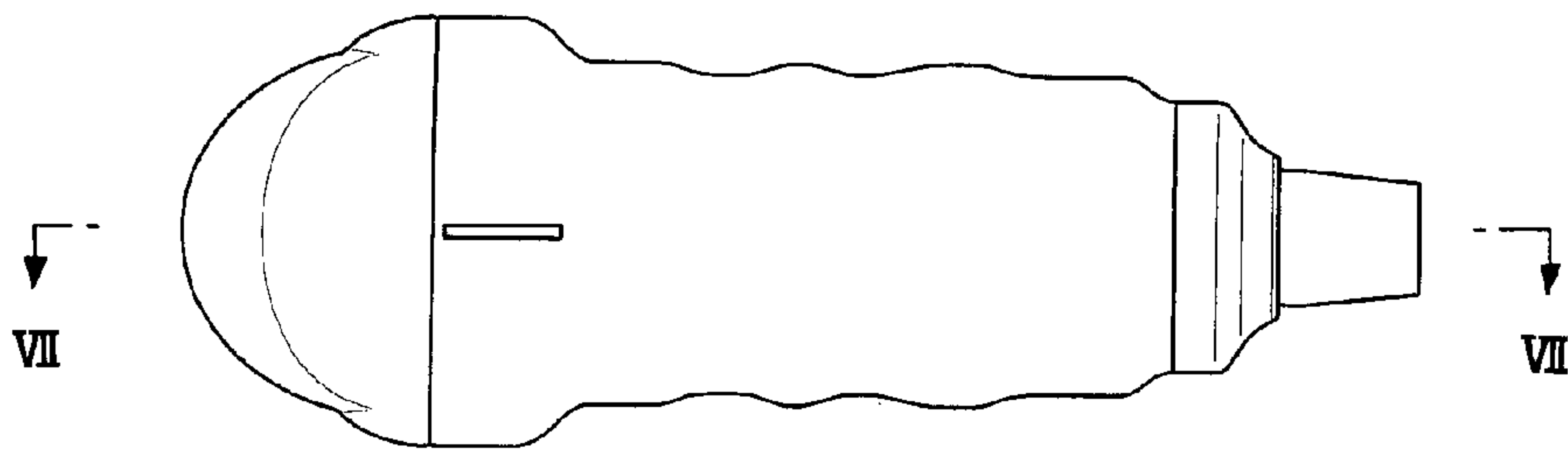


FIG.3

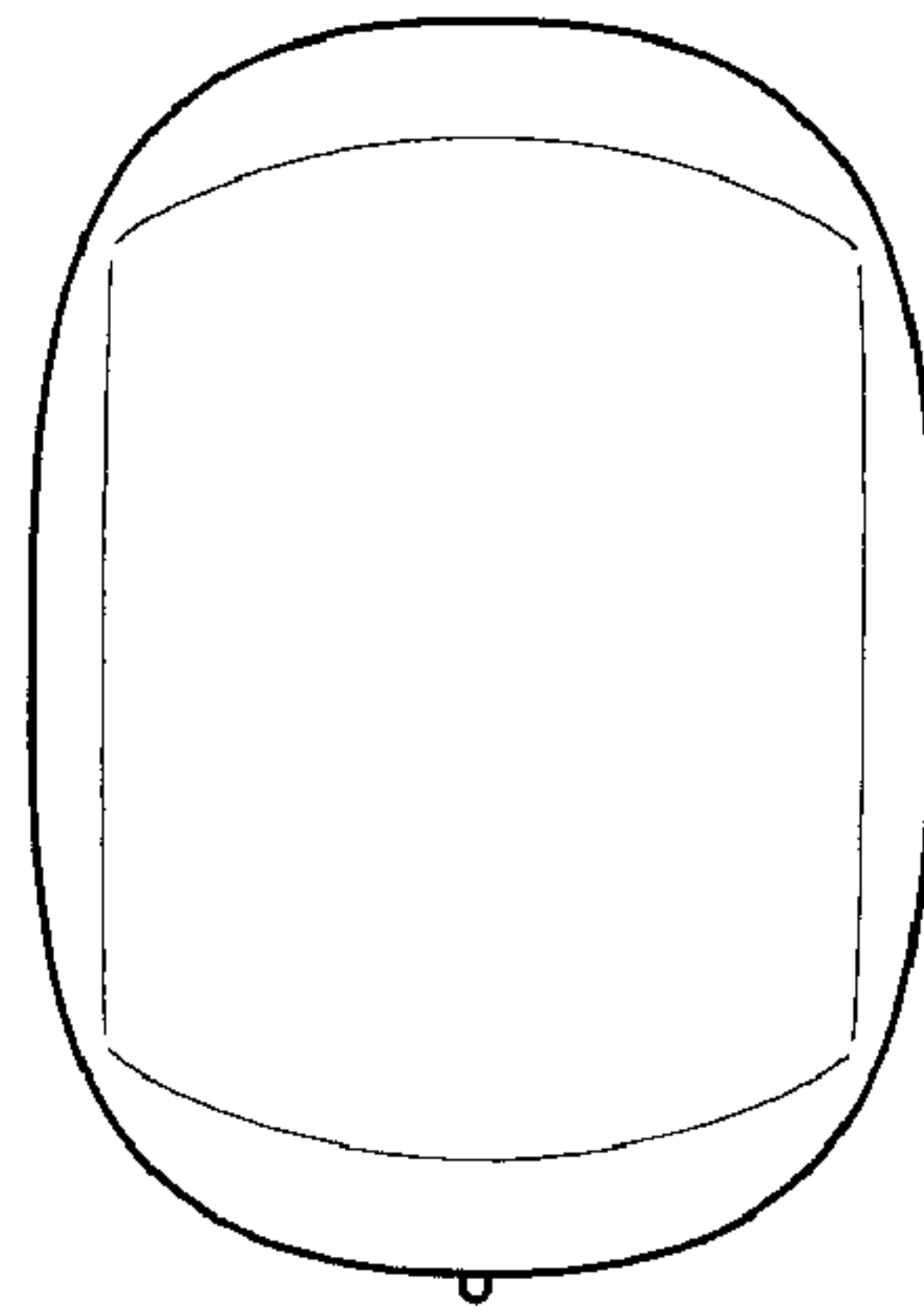


FIG.4

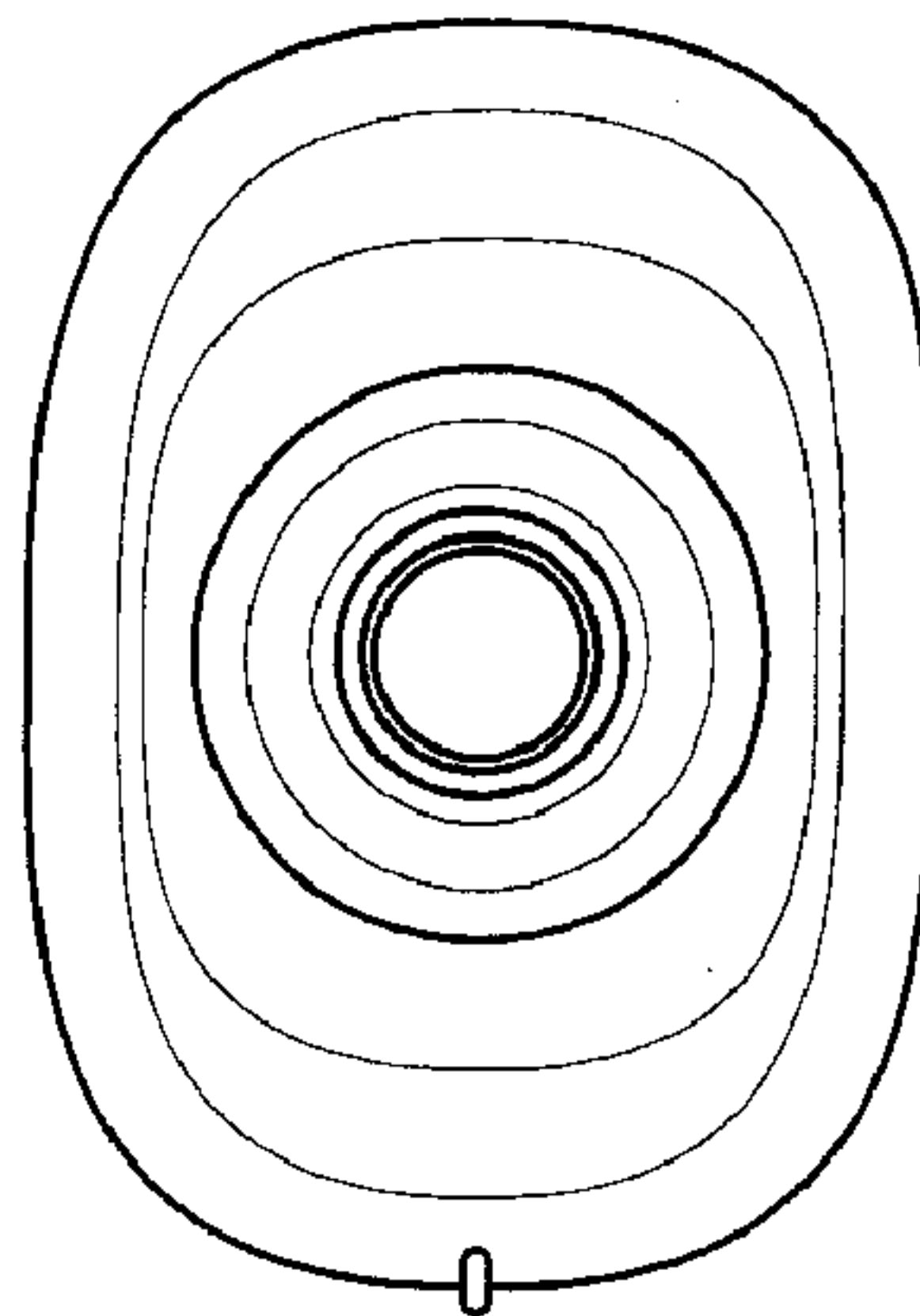


FIG.5

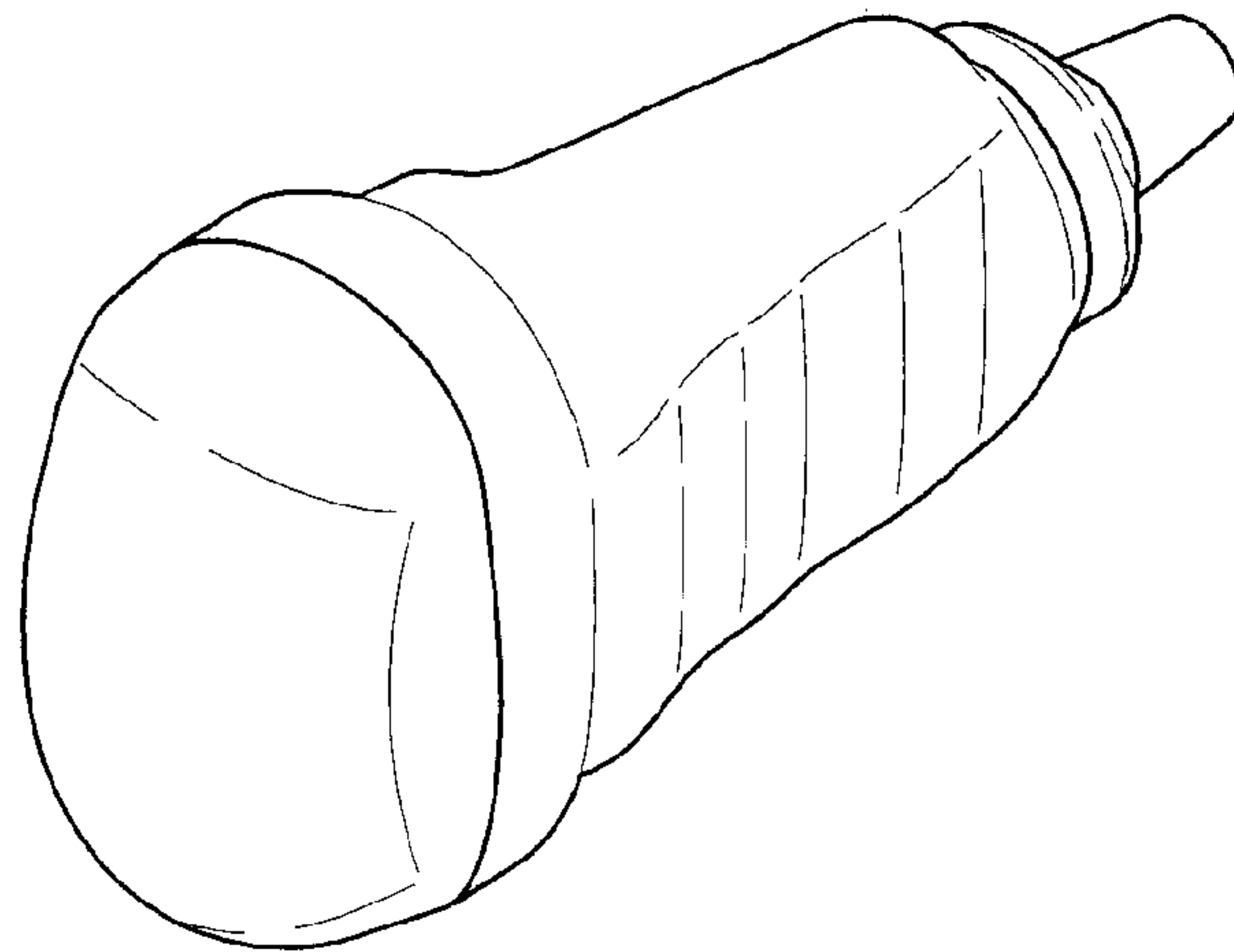


FIG.6

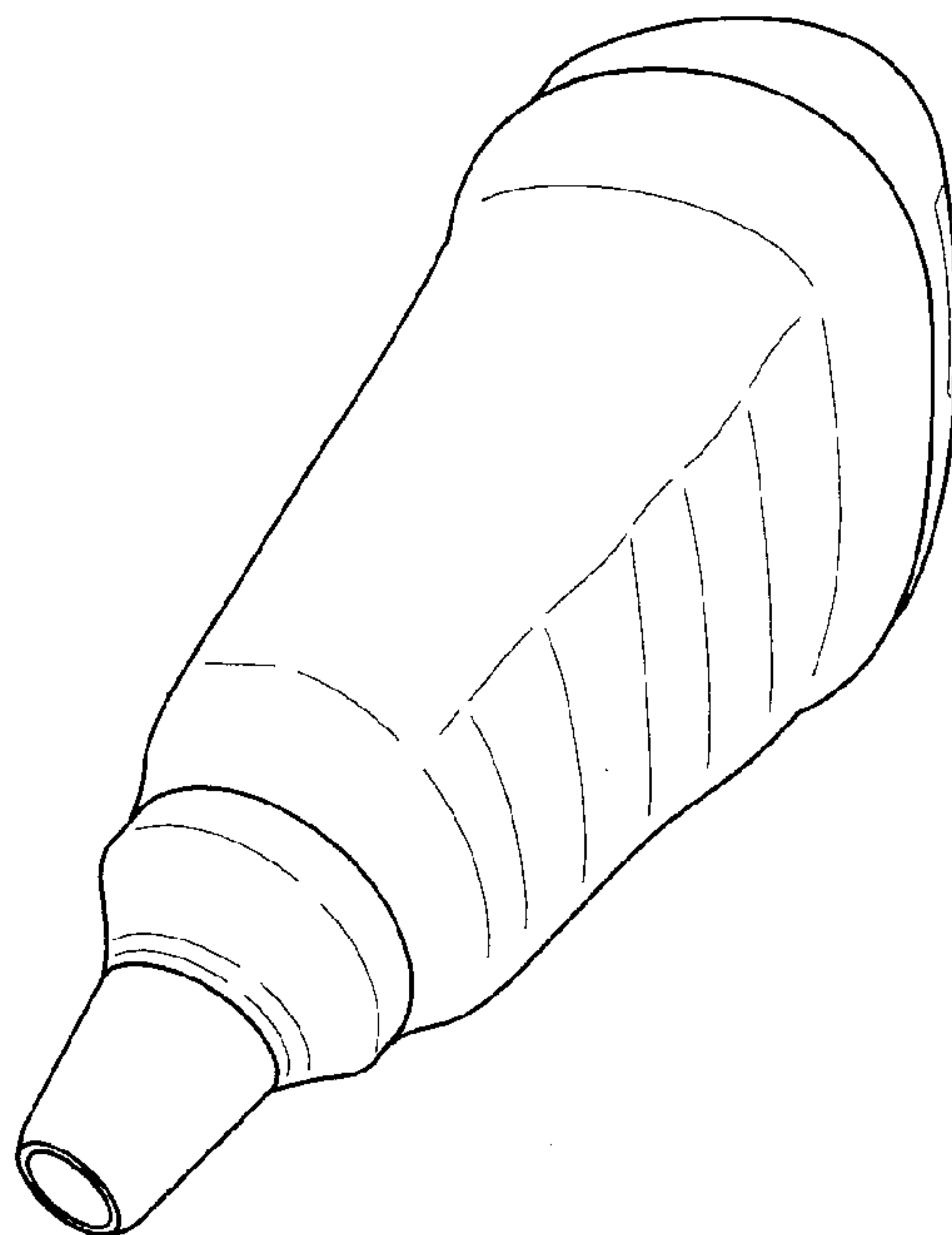


FIG.7

