



US00D544605S

(12) **United States Design Patent**
Gumisawa et al.

(10) **Patent No.:** **US D544,605 S**
(45) **Date of Patent:** **** Jun. 12, 2007**

(54) **ULTRASONIC DIAGNOSIS APPARATUS
CONTROLLER**

(75) Inventors: **Takashi Gumisawa**, Shinagawa-ku
(JP); **Shigeru Otoha**, Nerima-ku (JP)

(73) Assignee: **Kabushiki Kaisha Toshiba** (JP)

(**) Term: **14 Years**

(21) Appl. No.: **29/214,385**

(22) Filed: **Oct. 4, 2004**

(30) **Foreign Application Priority Data**

Apr. 27, 2004 (JP) 2004-012784

(51) **LOC (8) Cl.** **24-01**

(52) **U.S. Cl.** **D24/186**

(58) **Field of Classification Search** D24/185,
D24/186, 133; D14/218; D10/78; 128/915-916;
601/1-2

See application file for complete search history.

(56) **References Cited**

U.S. PATENT DOCUMENTS

D375,792 S * 11/1996 Hillman et al. D24/186
D392,260 S 3/1998 Brunner
D436,588 S * 1/2001 Nakayama et al. D14/218
D473,942 S * 4/2003 Motoki et al. D24/137
D512,027 S * 11/2005 Sarasjoki et al. D14/218

FOREIGN PATENT DOCUMENTS

DE	40004894.9	8/2000
JP	953072	5/1996
JP	1153865	9/2002
JP	1160357	12/2002
JP	1192314	12/2003

OTHER PUBLICATIONS

“RemotePoint TMPlus”, Interlink Electronics; May 7, 2000.

* cited by examiner

Primary Examiner—Louis S. Zarfes

Assistant Examiner—Daniel Yu

(74) *Attorney, Agent, or Firm*—Banner & Witcoff, Ltd.

(57) **CLAIM**

The ornamental design for an ultrasonic diagnosis apparatus controller, as shown and described.

DESCRIPTION

FIG. 1 is a front, left side and bottom perspective view of an ultrasonic diagnosis apparatus controller, showing our new design;

FIG. 2 is a front elevational view thereof;

FIG. 3 is a rear elevational view thereof;

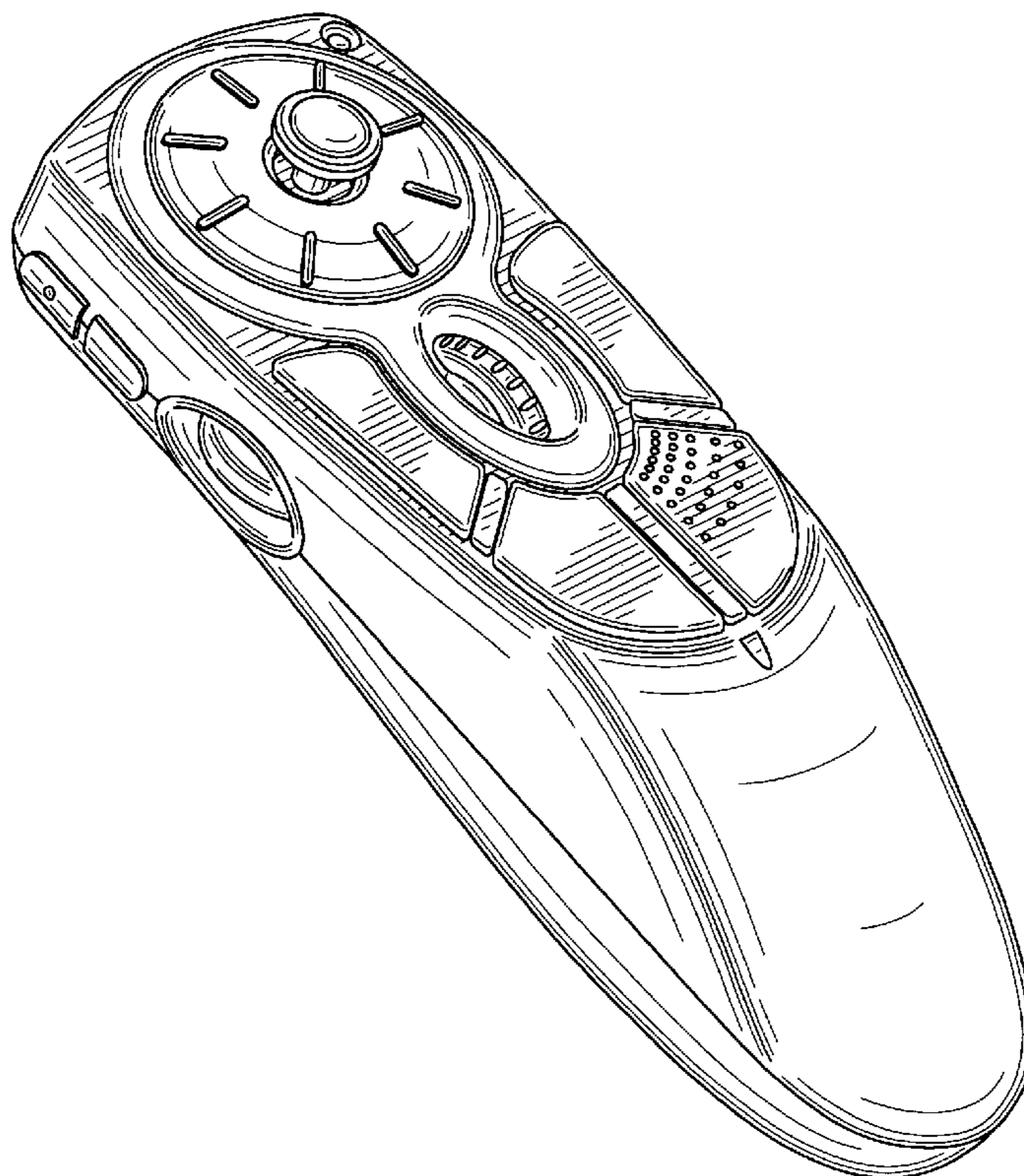
FIG. 4 is a top plan view thereof;

FIG. 5 is a bottom plan view thereof;

FIG. 6 is a right side elevational view thereof; and,

FIG. 7 is a left side elevational view thereof.

1 Claim, 4 Drawing Sheets



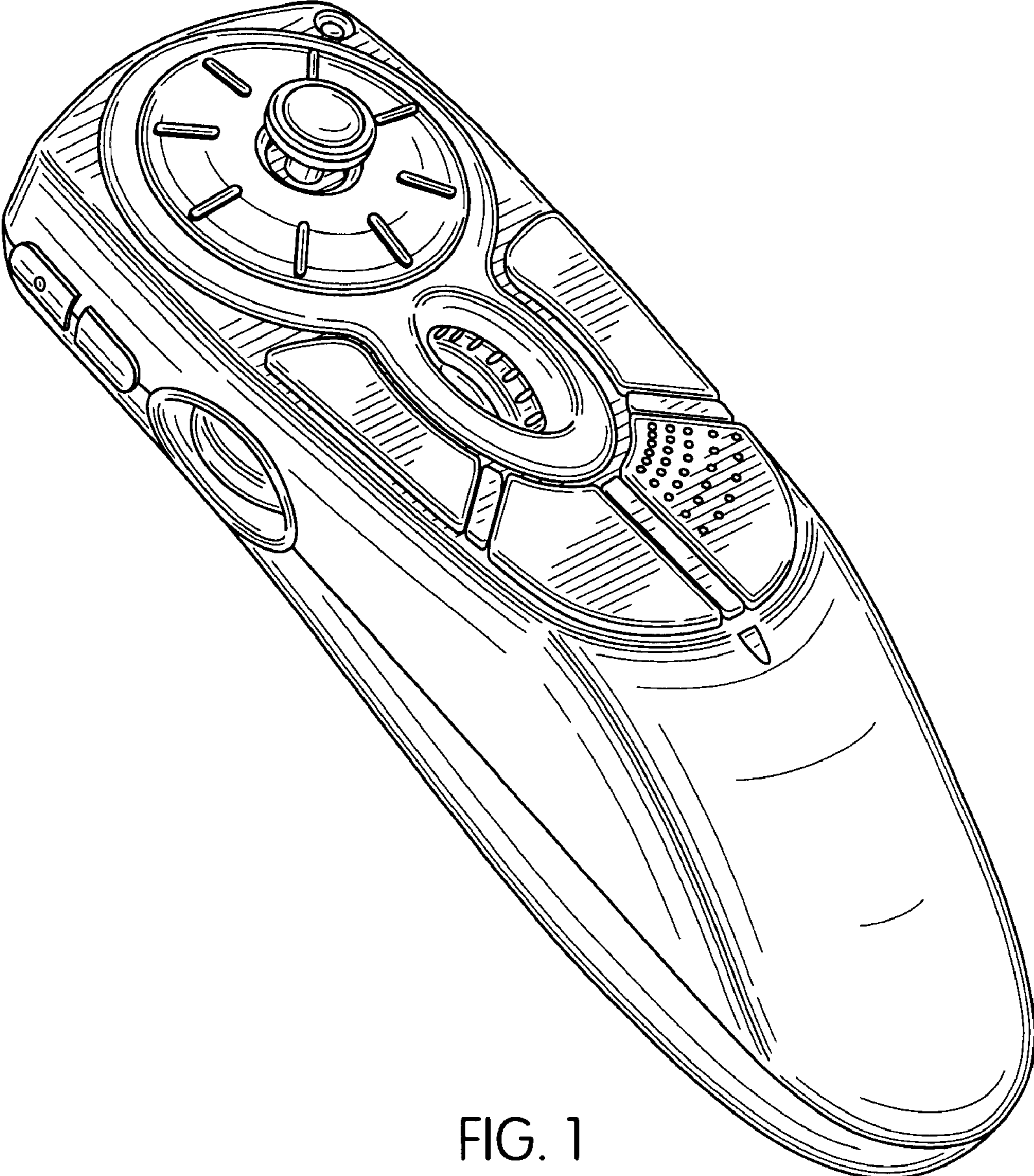


FIG. 1

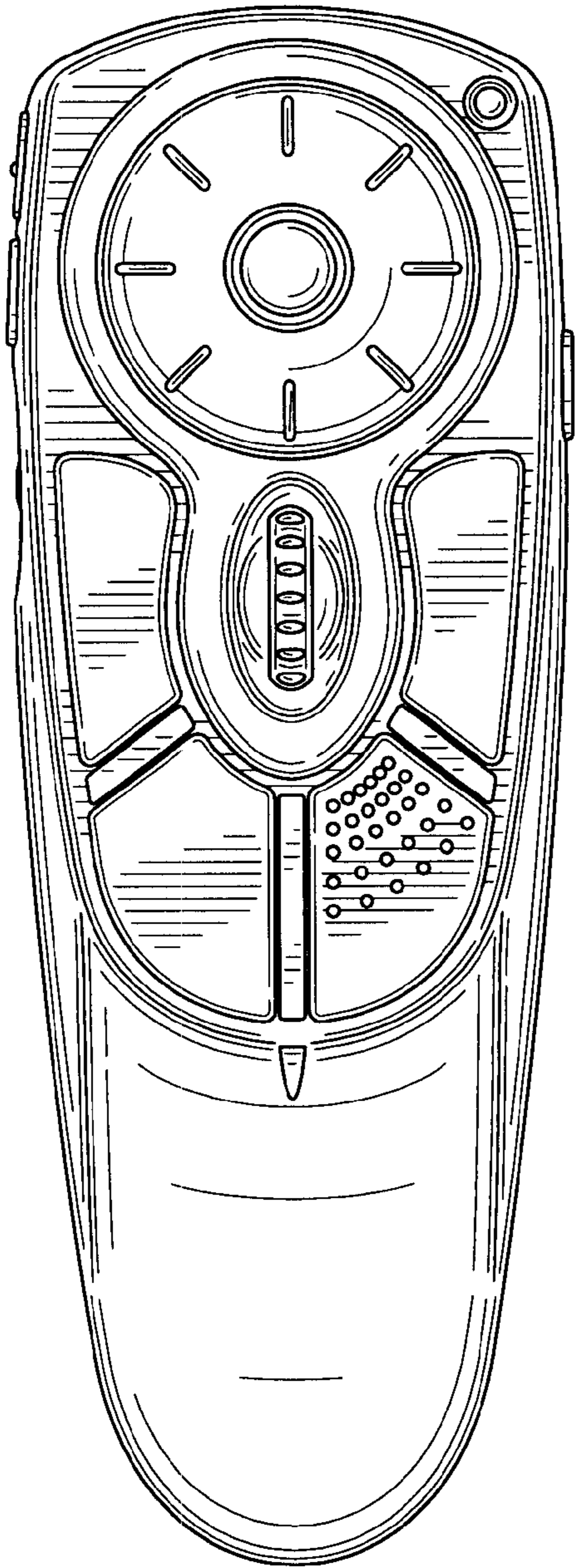


FIG. 2

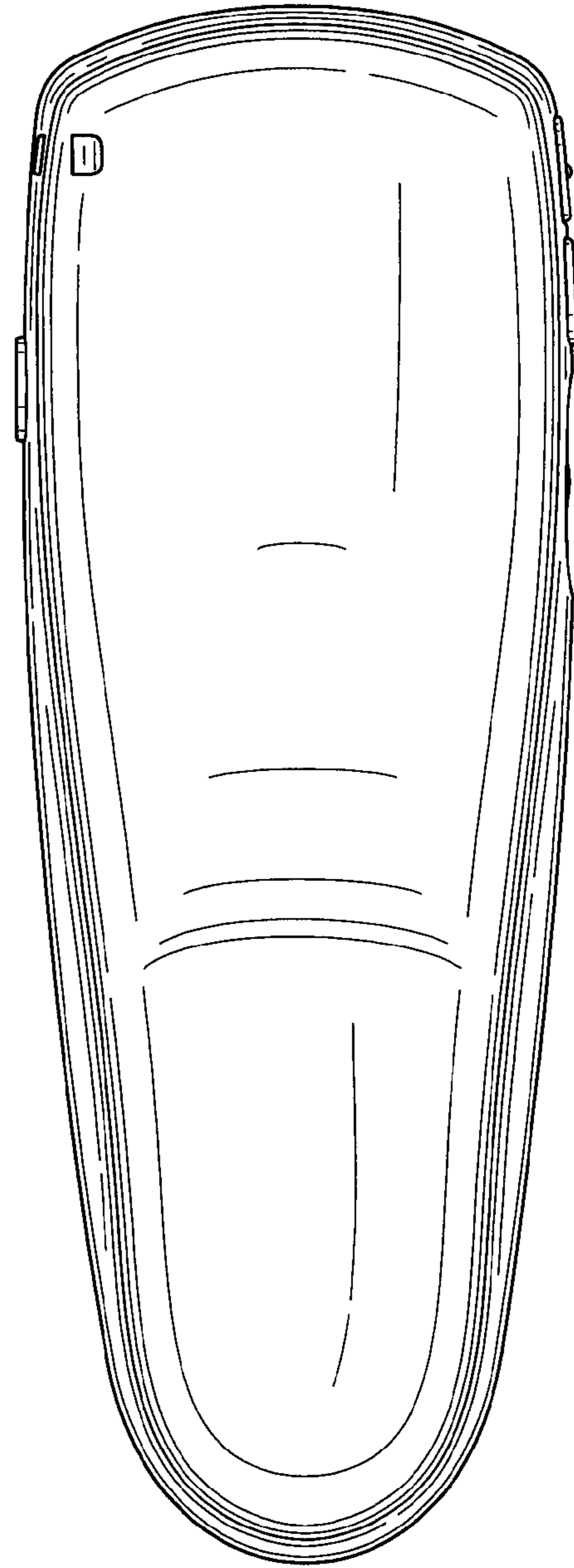


FIG. 3

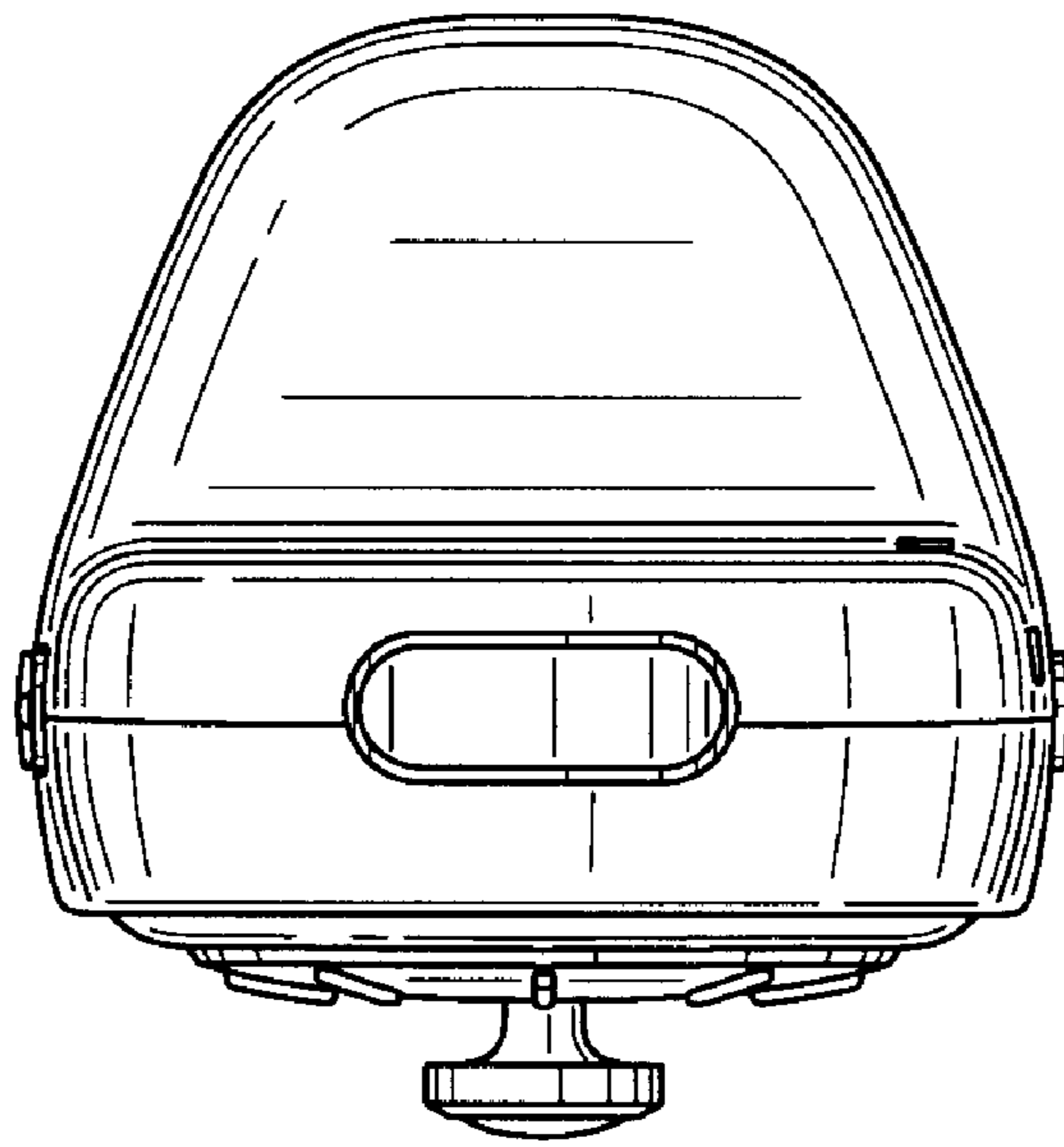


FIG. 4

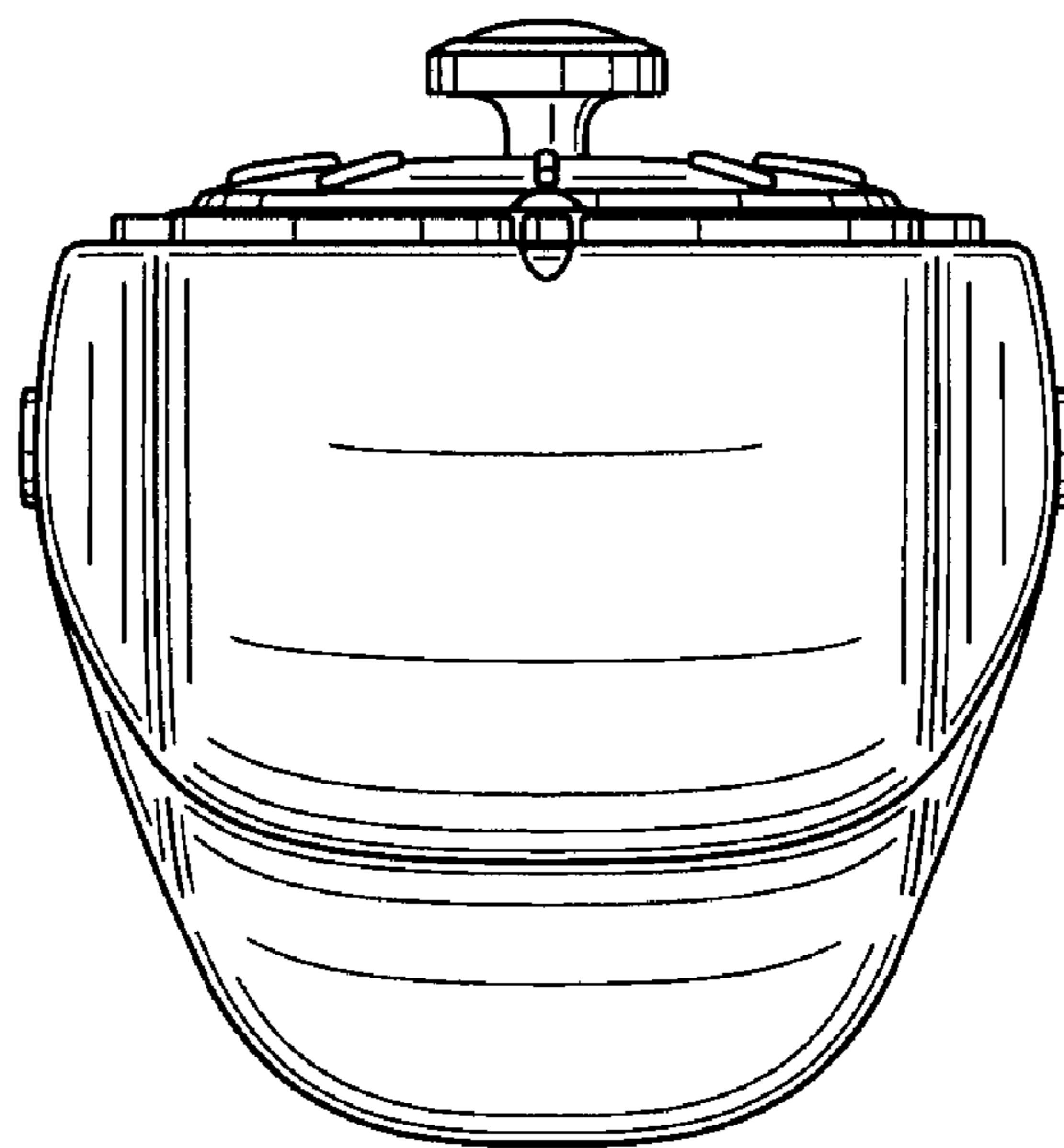


FIG. 5

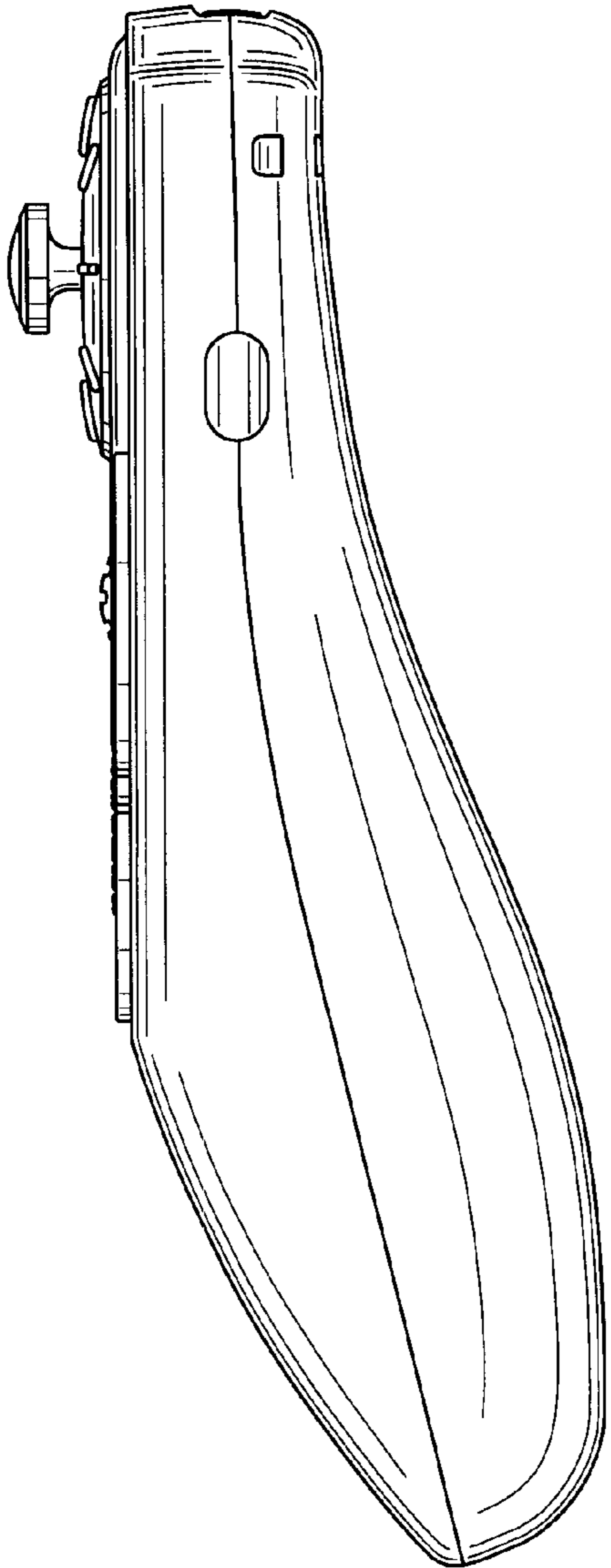


FIG. 6

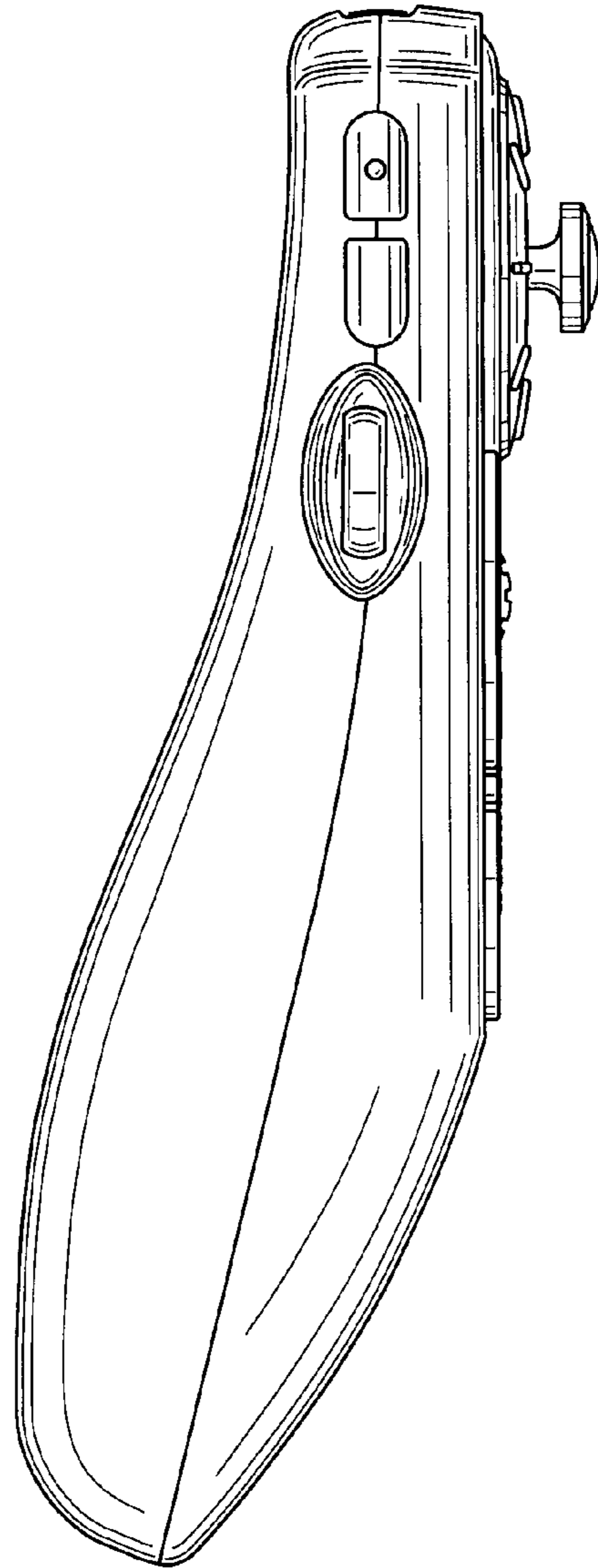


FIG. 7

UNITED STATES PATENT AND TRADEMARK OFFICE
CERTIFICATE OF CORRECTION

PATENT NO. : D544,605 S
APPLICATION NO. : 29/214385
DATED : June 12, 2007
INVENTOR(S) : Takashi Gumisawa et al.

Page 1 of 1

It is certified that error appears in the above-identified patent and that said Letters Patent is hereby corrected as shown below:

On the Title Page

Item (73) Assignee:

Please insert --Toshiba Medical Systems Corporation--

Signed and Sealed this
Tenth Day of October, 2017



Joseph Matal
*Performing the Functions and Duties of the
Under Secretary of Commerce for Intellectual Property and
Director of the United States Patent and Trademark Office*