



US00D544597S

(12) **United States Design Patent**
Ertze

(10) **Patent No.:** **US D544,597 S**

(45) **Date of Patent:** **** Jun. 12, 2007**

(54) **COMBINED CEILING FAN MOTOR HOUSING AND FAN BLADE BRACKET**

D521,627 S * 5/2006 Flores D23/377
D532,149 S * 11/2006 Miranda D26/142

(75) Inventor: **Pablo J. Ertze**, Rancho Cucamonga, CA (US)

* cited by examiner

Primary Examiner—Lisa Lichtenstein

(73) Assignee: **Landmark Enterprise Inc.** (BN)

(74) *Attorney, Agent, or Firm*—Troxell Law Office, PLLC

(**) Term: **14 Years**

(57) **CLAIM**

(21) Appl. No.: **29/262,951**

I claim the ornamental design for a combined ceiling fan motor housing and fan blade bracket, as shown and described.

(22) Filed: **Jul. 14, 2006**

DESCRIPTION

(51) **LOC (8) Cl.** **23-04**

(52) **U.S. Cl.** **D23/411**

(58) **Field of Classification Search** D23/411,
D23/377, 379, 385; 416/5; 392/364
See application file for complete search history.

FIG. 1 is a top and front perspective view of a combined ceiling fan motor housing and fan blade bracket showing my new design;

FIG. 2 is a front elevational view thereof;

FIG. 3 is a rear elevational view thereof.

FIG. 4 is a left side elevational view thereof;

FIG. 5 is a right side elevational view thereof;

FIG. 6 is a top plan view thereof; and,

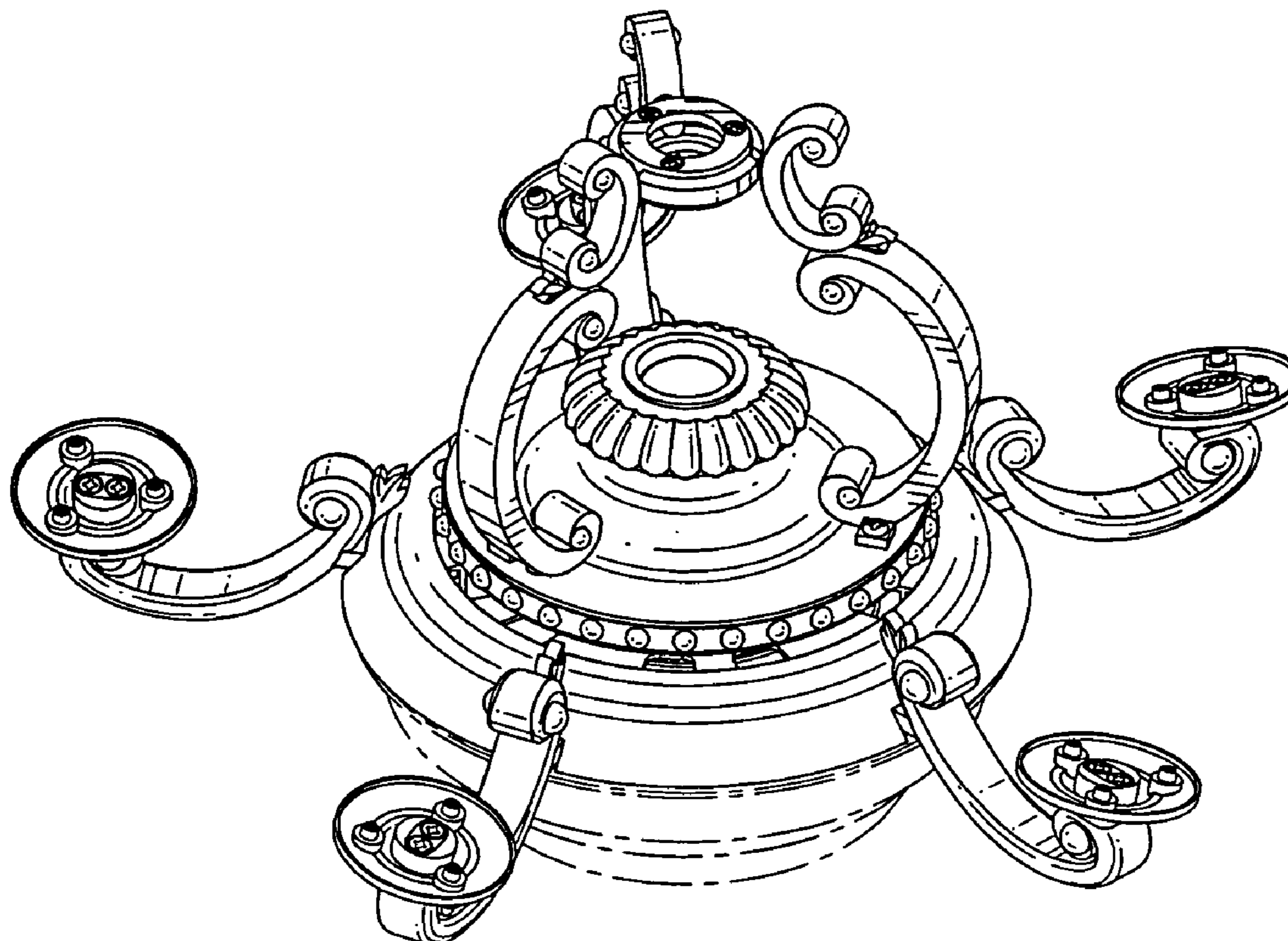
FIG. 7 is a bottom plan view thereof.

(56) **References Cited**

U.S. PATENT DOCUMENTS

D431,310 S	*	9/2000	Dolan	D26/84
D453,229 S	*	1/2002	Phillips	D26/81
D480,797 S	*	10/2003	Young	D23/411
D483,855 S	*	12/2003	Stauffer	D23/411
D483,856 S	*	12/2003	Stauffer	D23/411

1 Claim, 5 Drawing Sheets



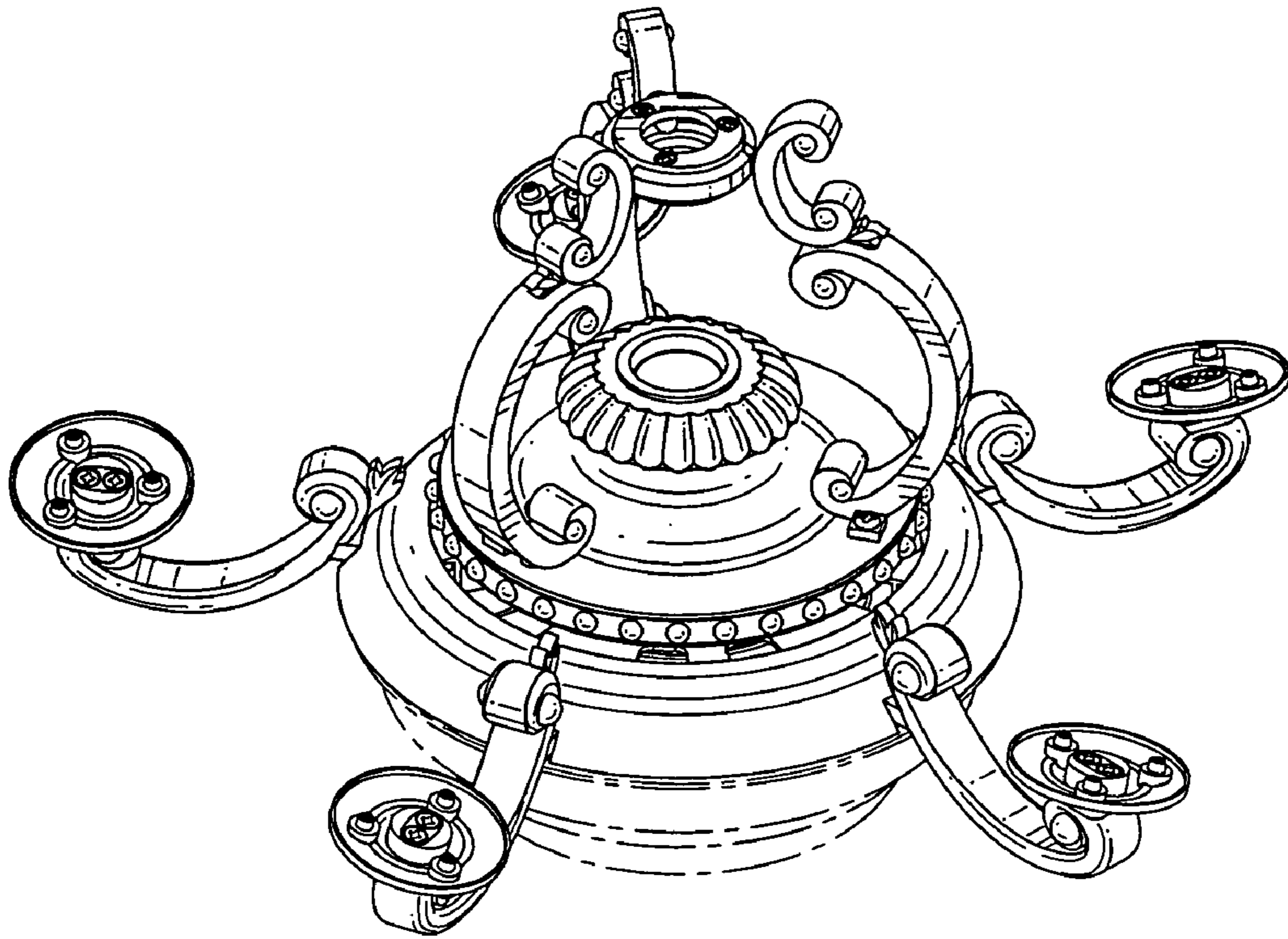


FIG. 1

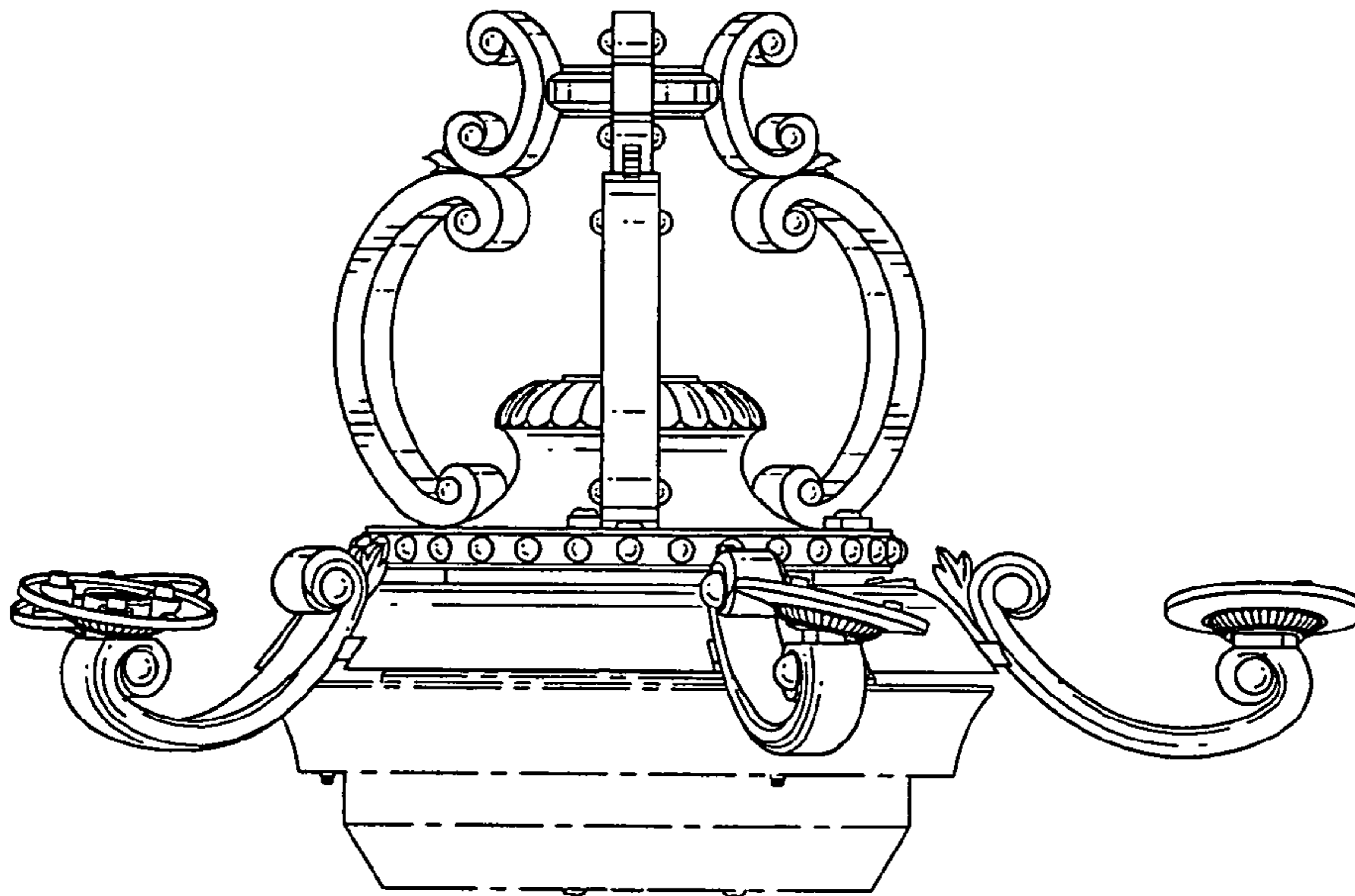


FIG. 2

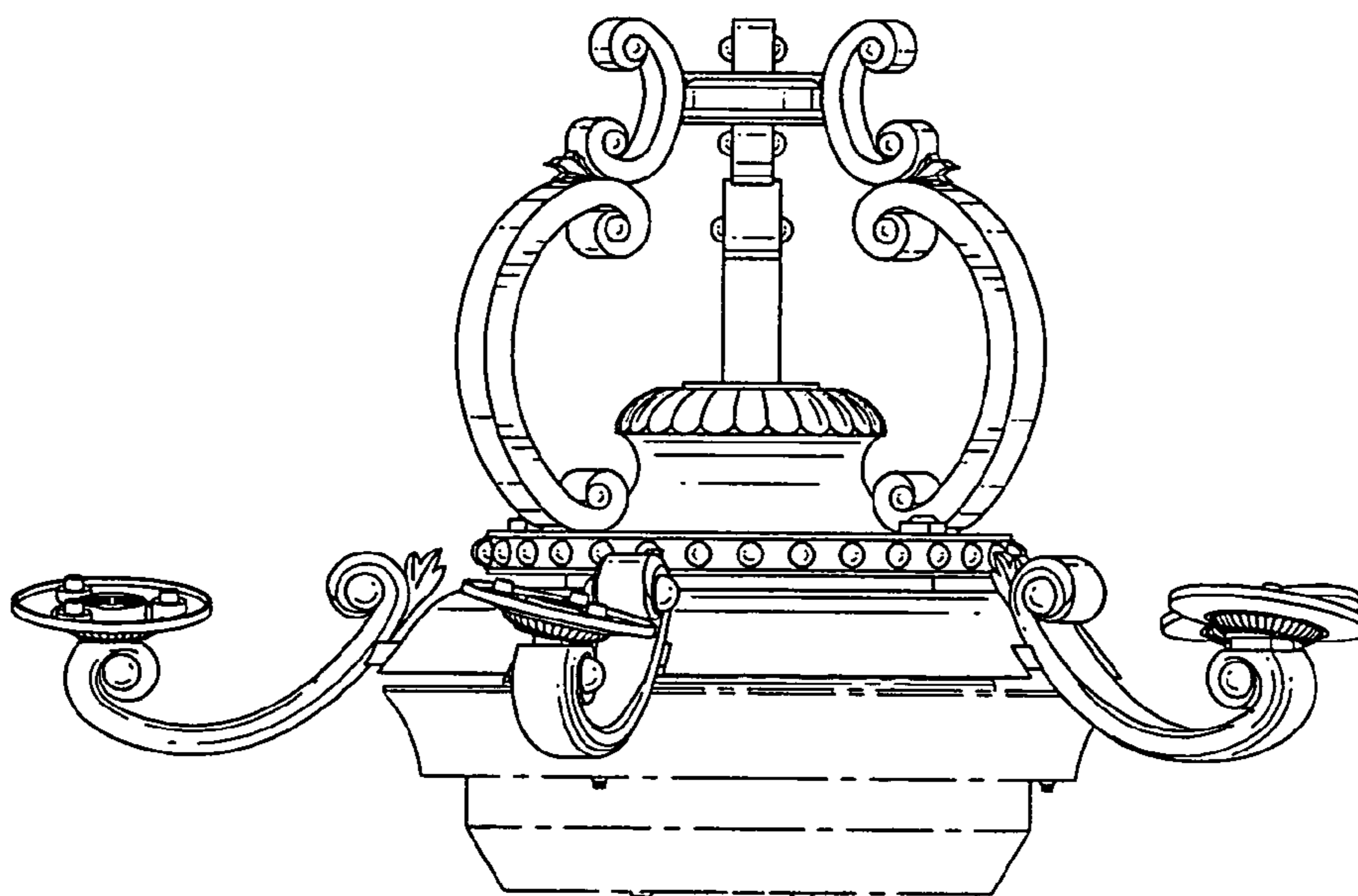


FIG. 3

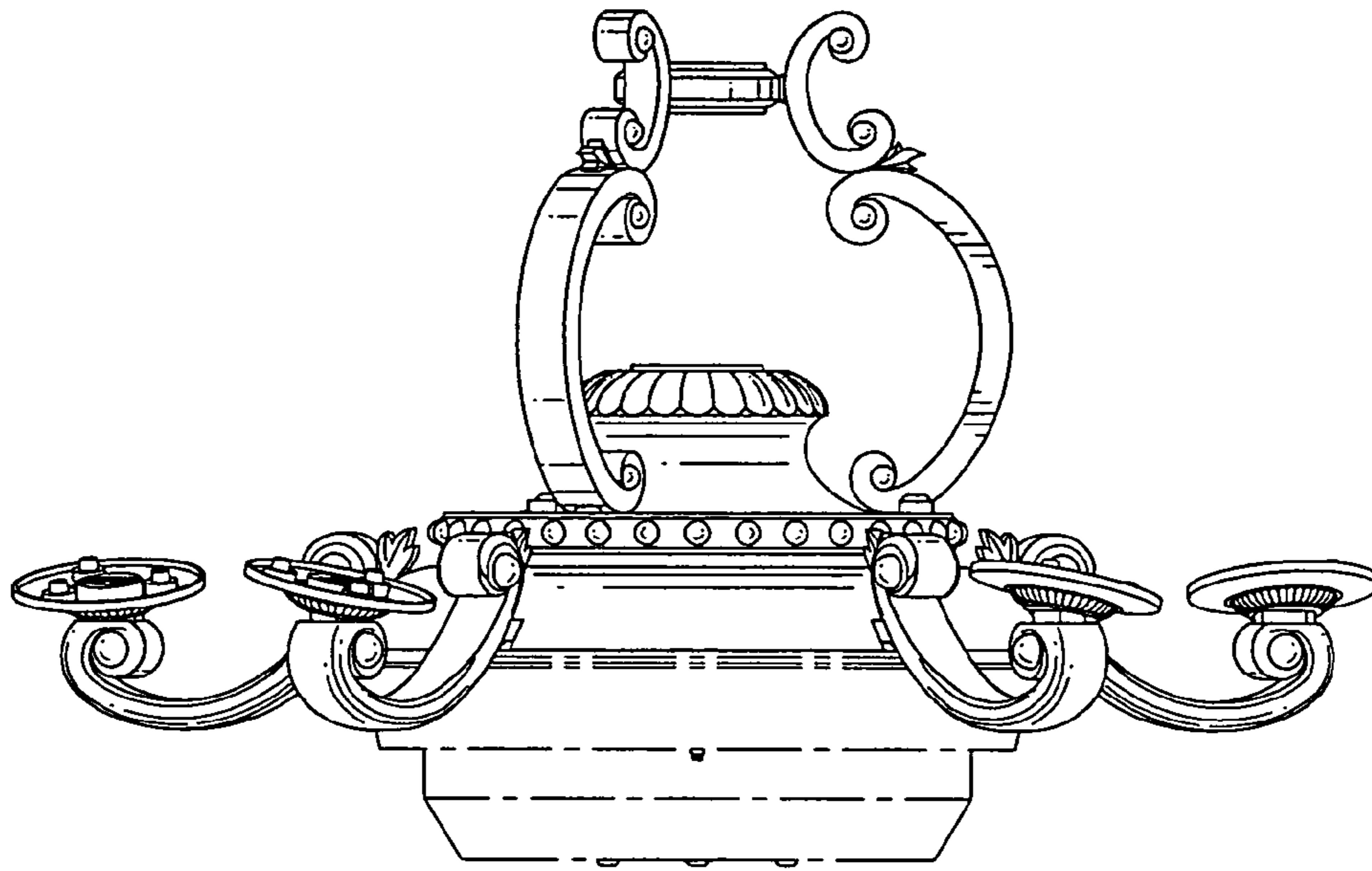


FIG. 4

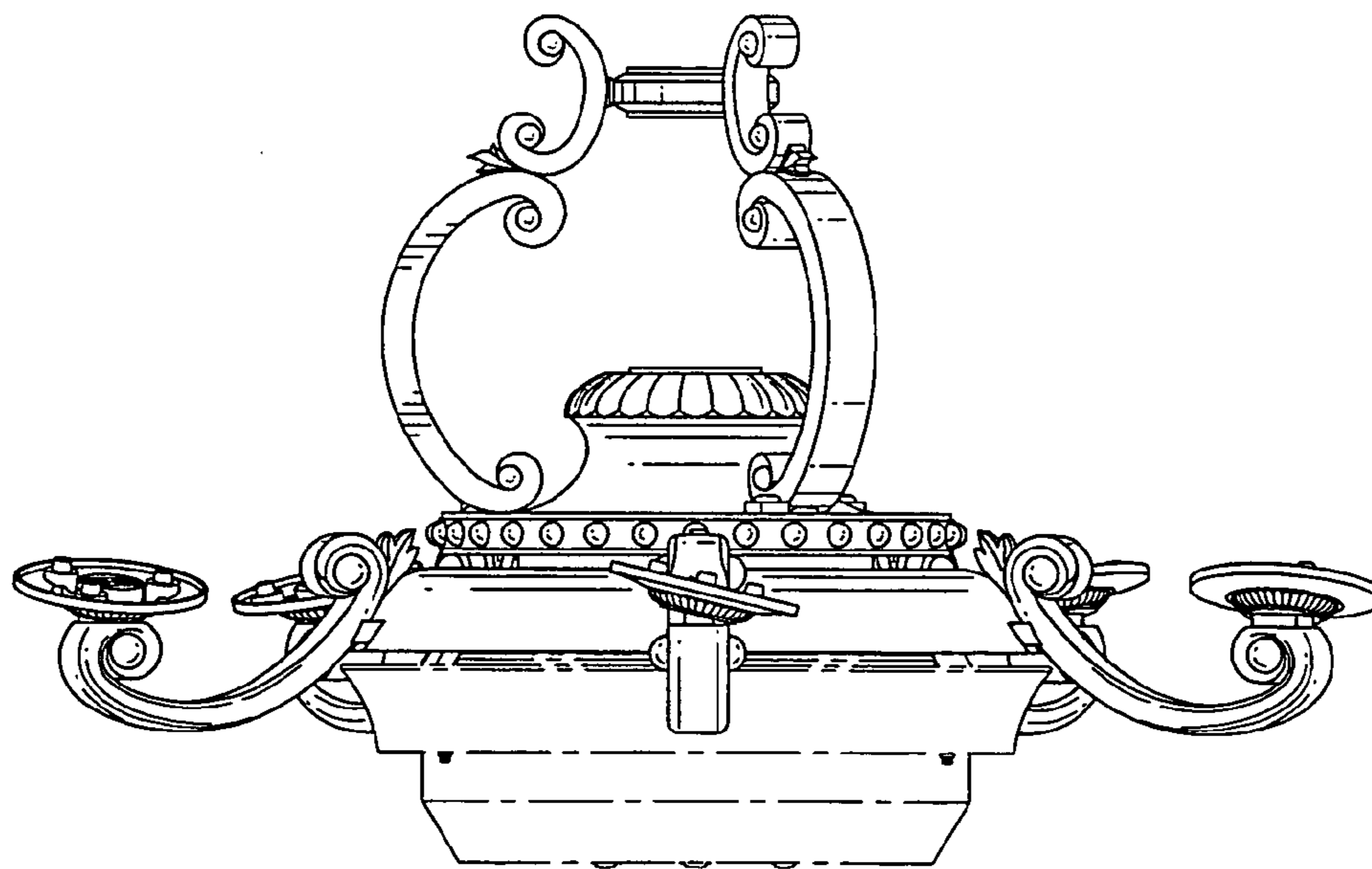


FIG. 5

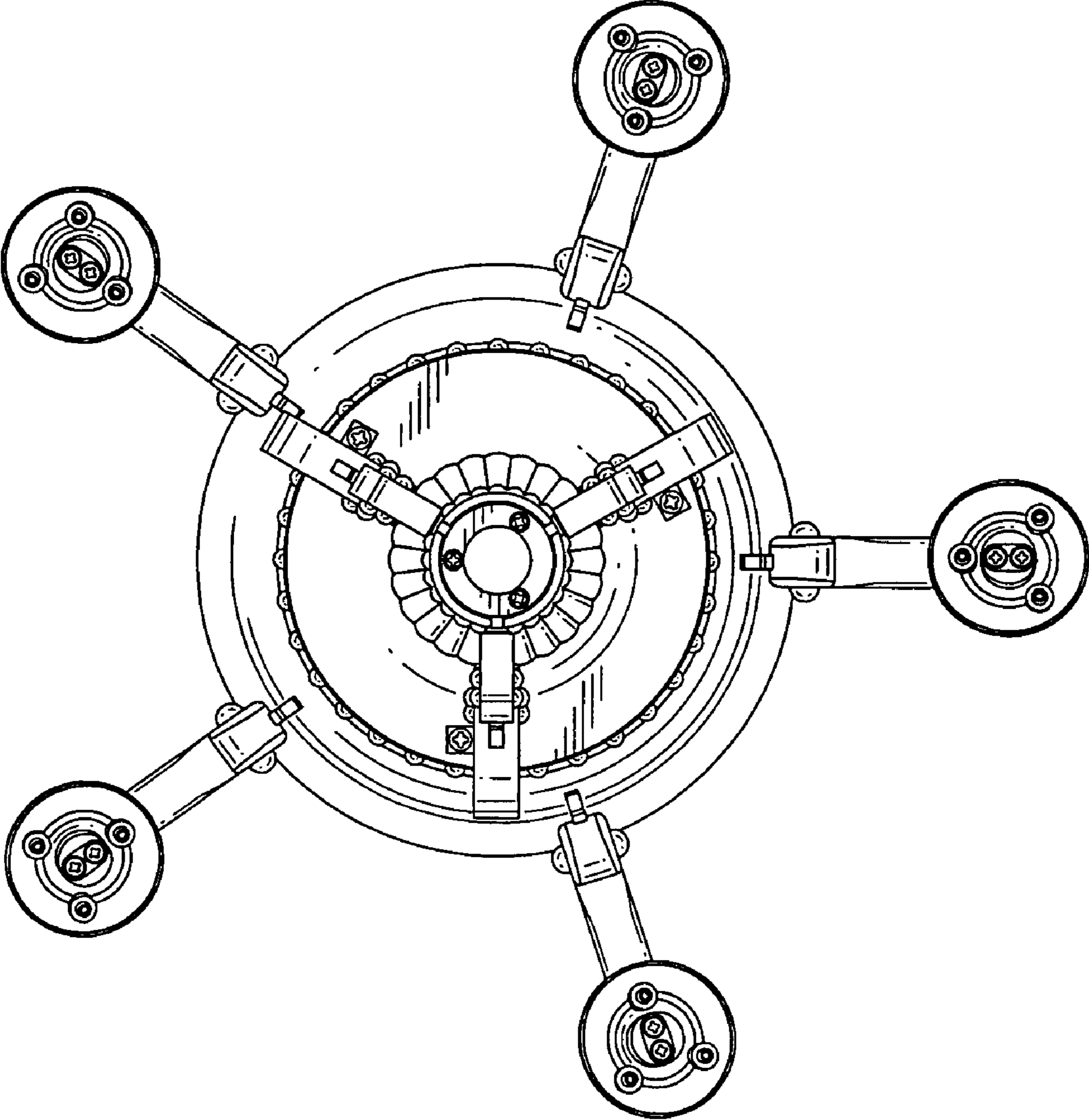


FIG. 6

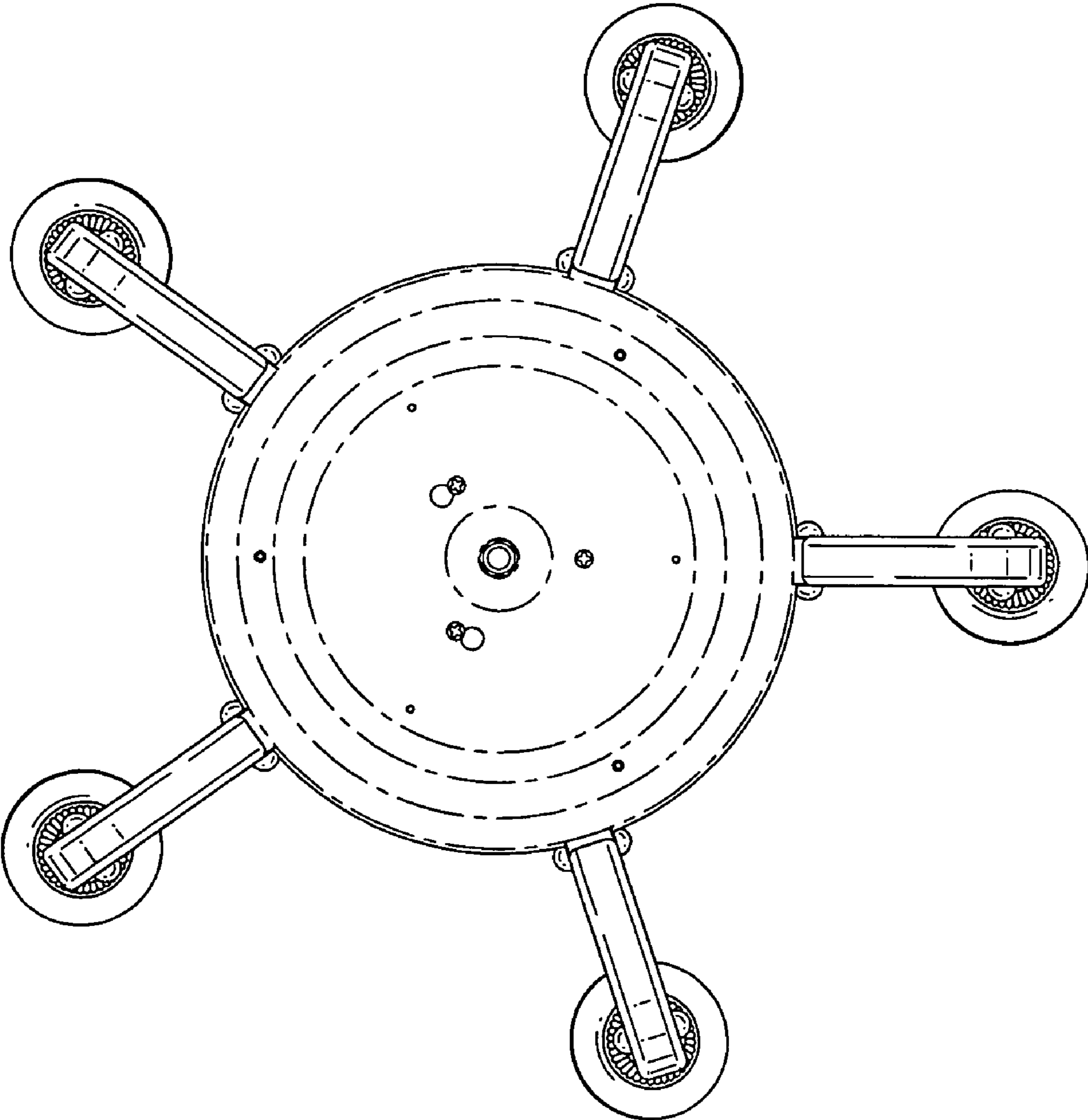


FIG. 7