



US00D544596S

(12) **United States Design Patent**
Shurtleff

(10) **Patent No.:** **US D544,596 S**

(45) **Date of Patent:** **** Jun. 12, 2007**

(54) **FAN BLADE BRACKET**

(75) **Inventor:** **Mark L. Shurtleff**, Long Beach, CA
(US)

(73) **Assignee:** **Landmark Enterprise Inc.**, Begawan
(BN)

(**) **Term:** **14 Years**

(21) **Appl. No.:** **29/261,541**

(22) **Filed:** **Jun. 16, 2006**

(51) **LOC (8) Cl.** **23-04**

(52) **U.S. Cl.** **D23/411**

(58) **Field of Classification Search** D23/377,
D23/379, 385, 411, 413; 416/5
See application file for complete search history.

(56) **References Cited**

U.S. PATENT DOCUMENTS

- D392,734 S * 3/1998 Pickett D23/377
- D403,061 S * 12/1998 Jaspers-Fayer et al. D23/377
- D404,479 S * 1/1999 Yang D23/377

- D436,659 S * 1/2001 Campbell D23/411
- D445,892 S * 7/2001 Hsieh D23/411
- D522,644 S * 6/2006 Curtin D23/411
- D530,415 S * 10/2006 Hidalgo D23/377

* cited by examiner

Primary Examiner—Lisa Lichtenstein

(74) *Attorney, Agent, or Firm*—Troxell Law Office, PLLC

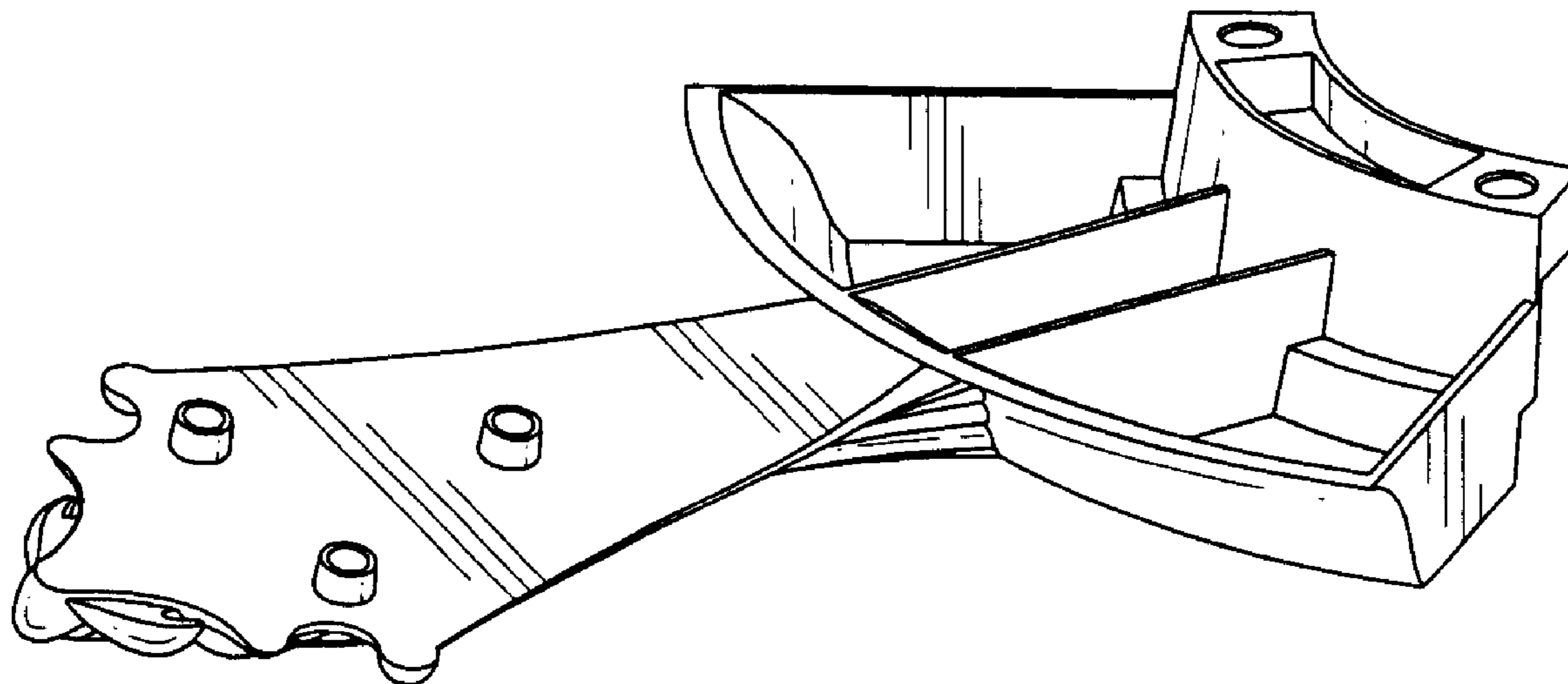
(57) **CLAIM**

The ornamental design for a fan blade bracket, as shown and described.

DESCRIPTION

FIG. 1 is a front perspective view of a fan blade bracket showing my new design;
 FIG. 2 is a front elevational view thereof;
 FIG. 3 is a rear elevational view thereof.
 FIG. 4 is a left side elevational view thereof;
 FIG. 5 is a right side elevational view thereof;
 FIG. 6 is a top plan view thereof; and,
 FIG. 7 is a bottom plan view thereof.

1 Claim, 4 Drawing Sheets



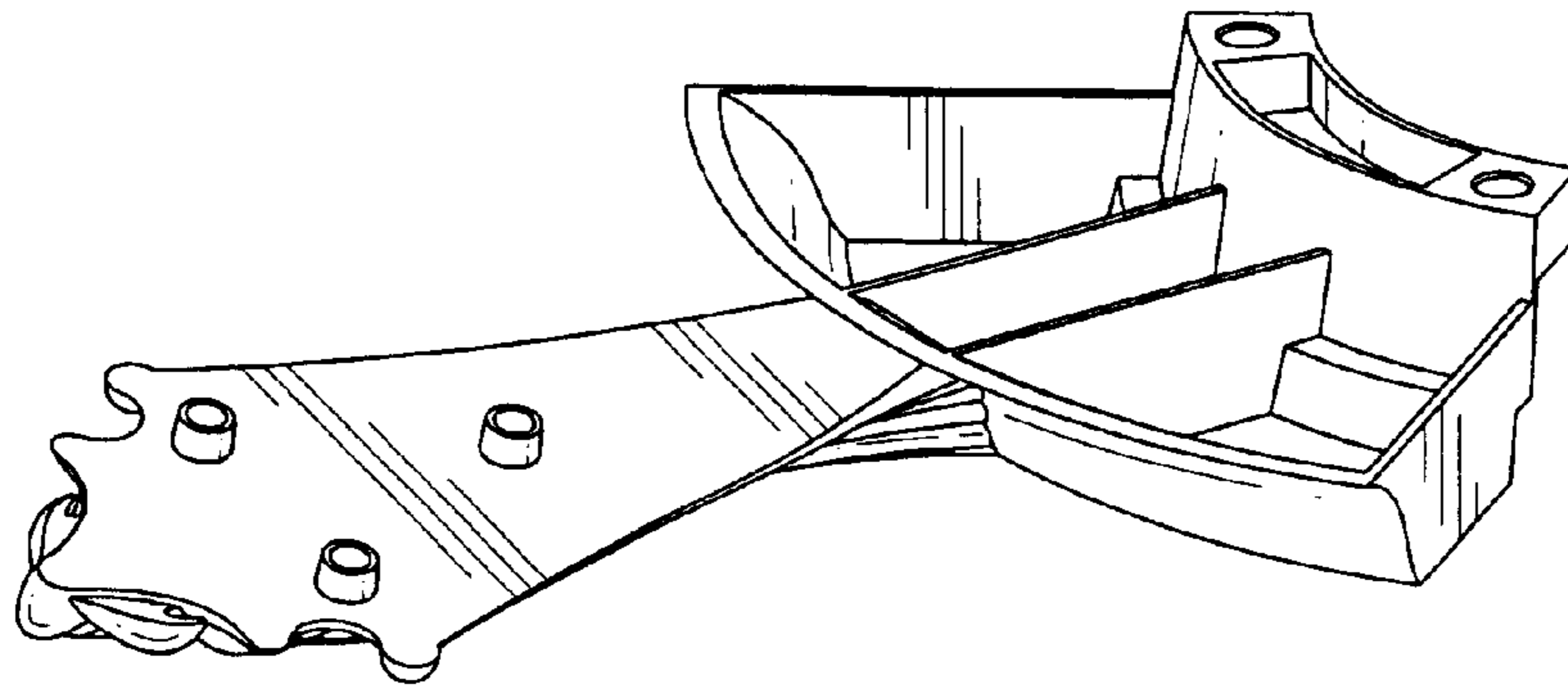


FIG. 1

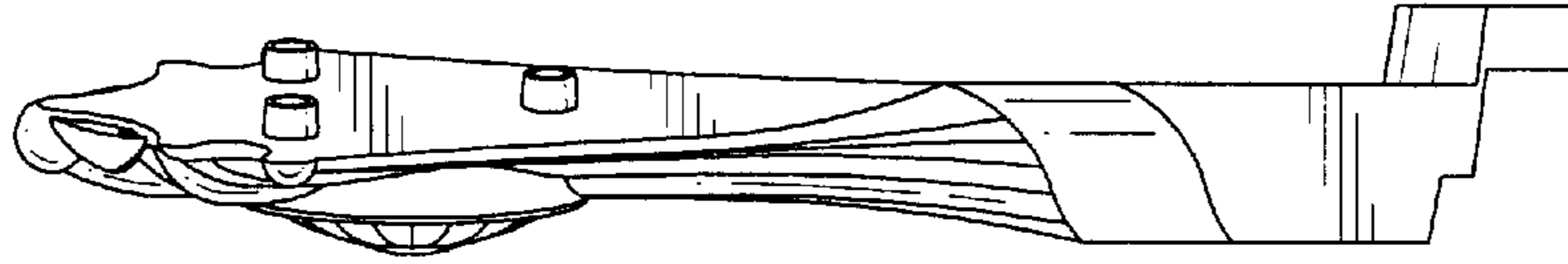


FIG. 2

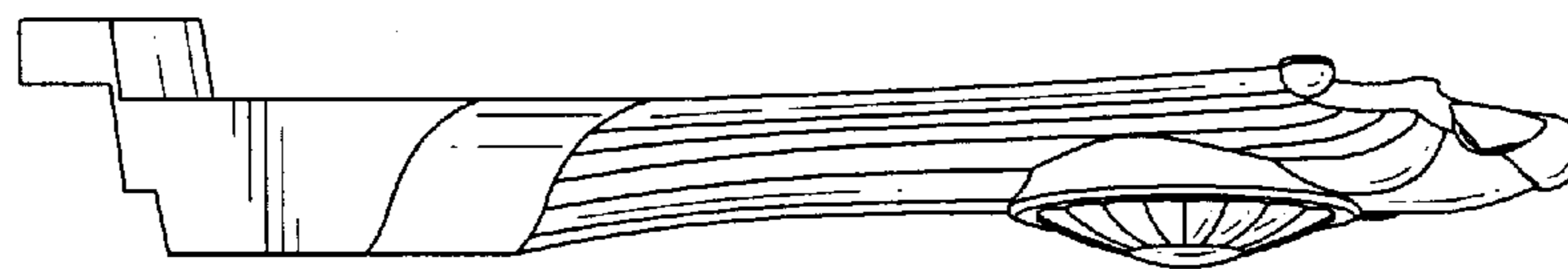


FIG. 3

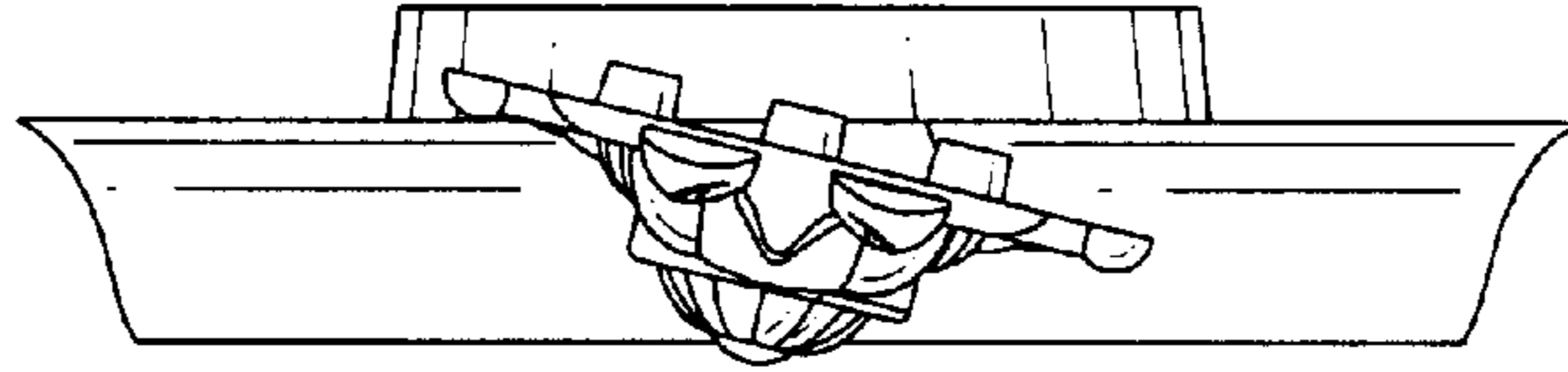


FIG. 4

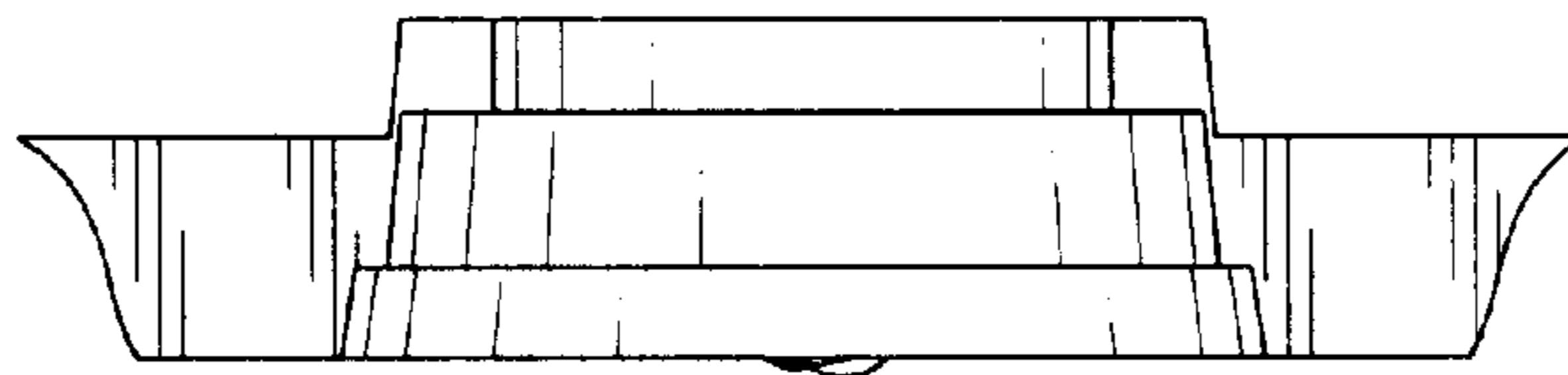


FIG. 5

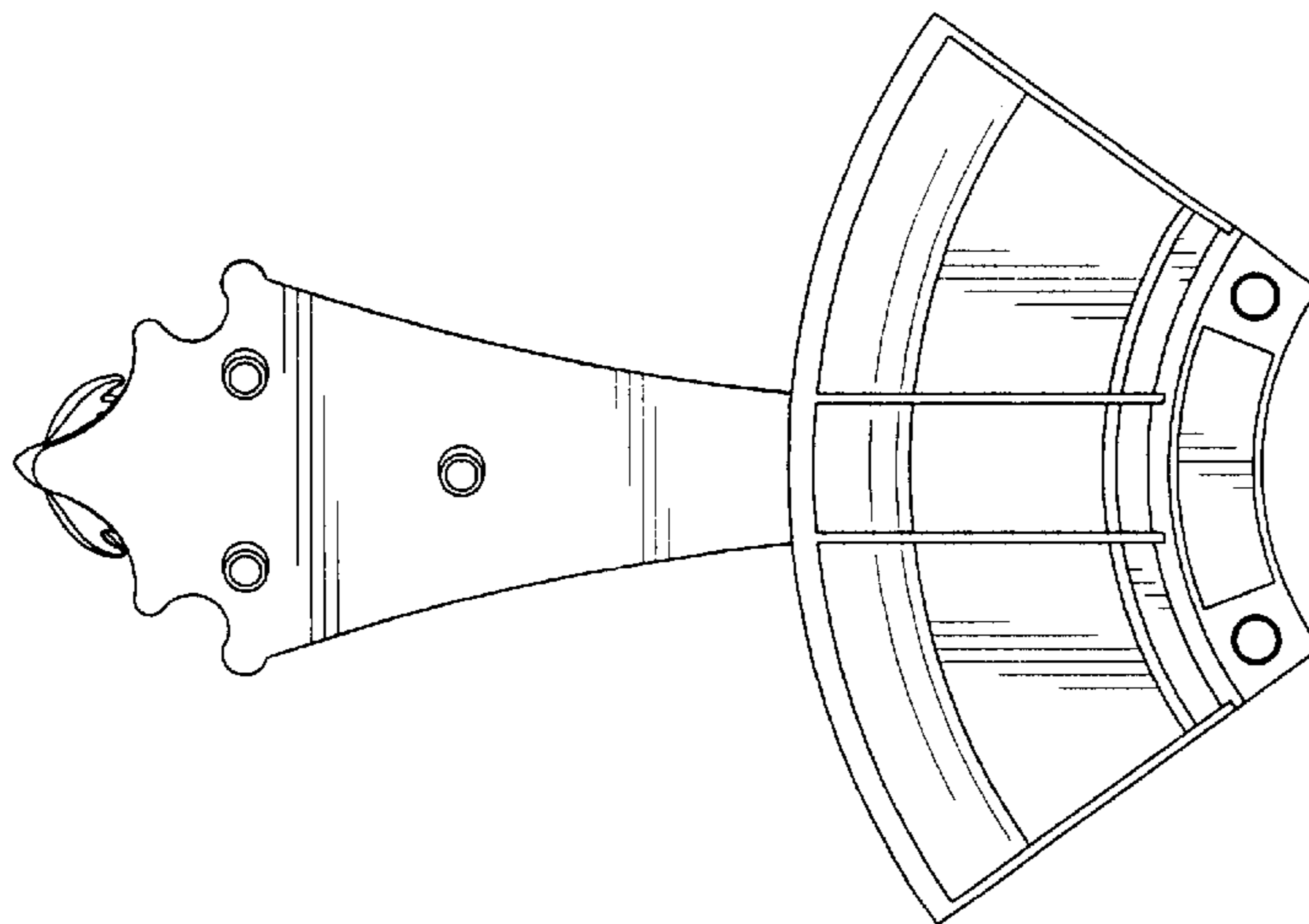


FIG. 6

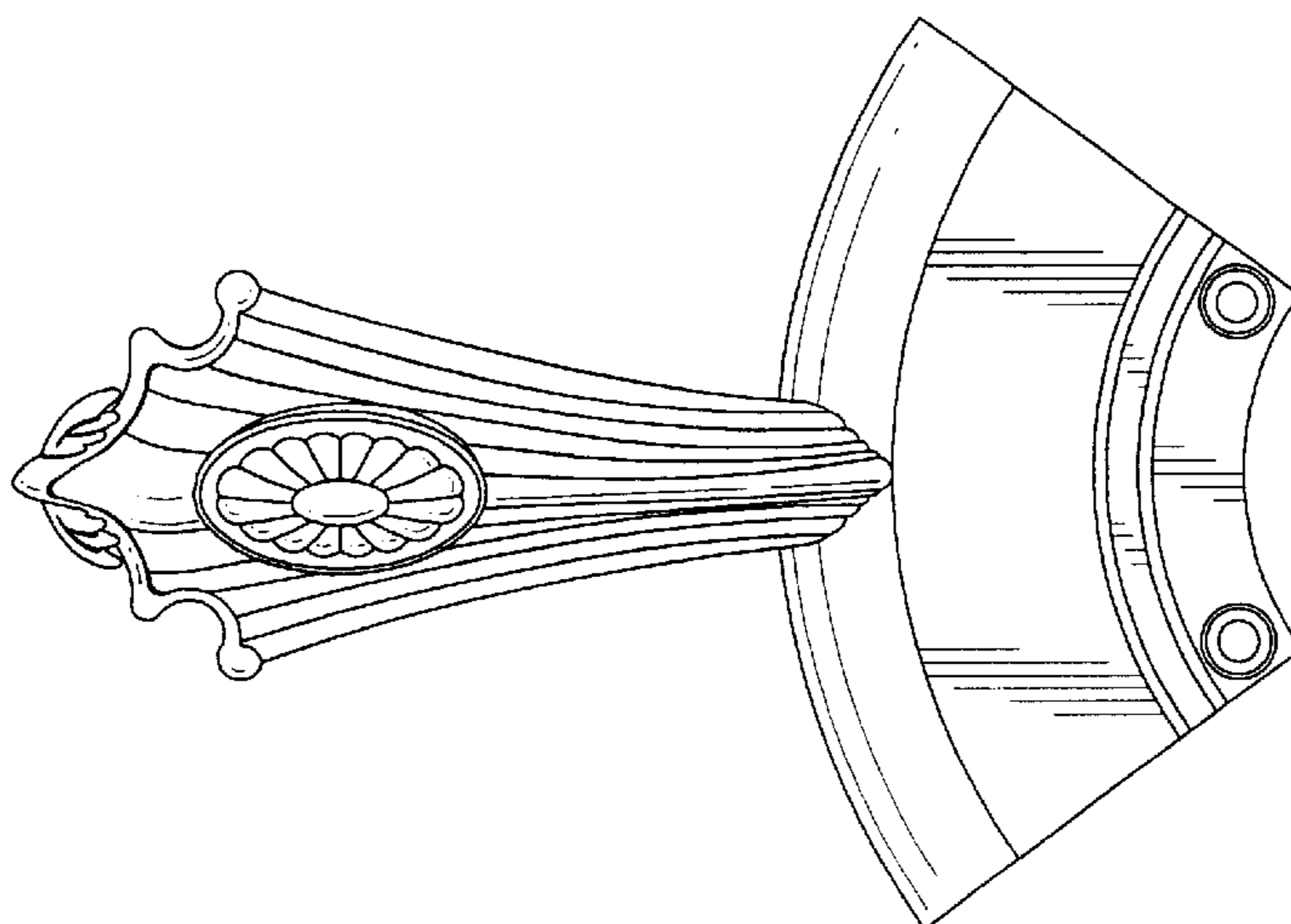


FIG. 7